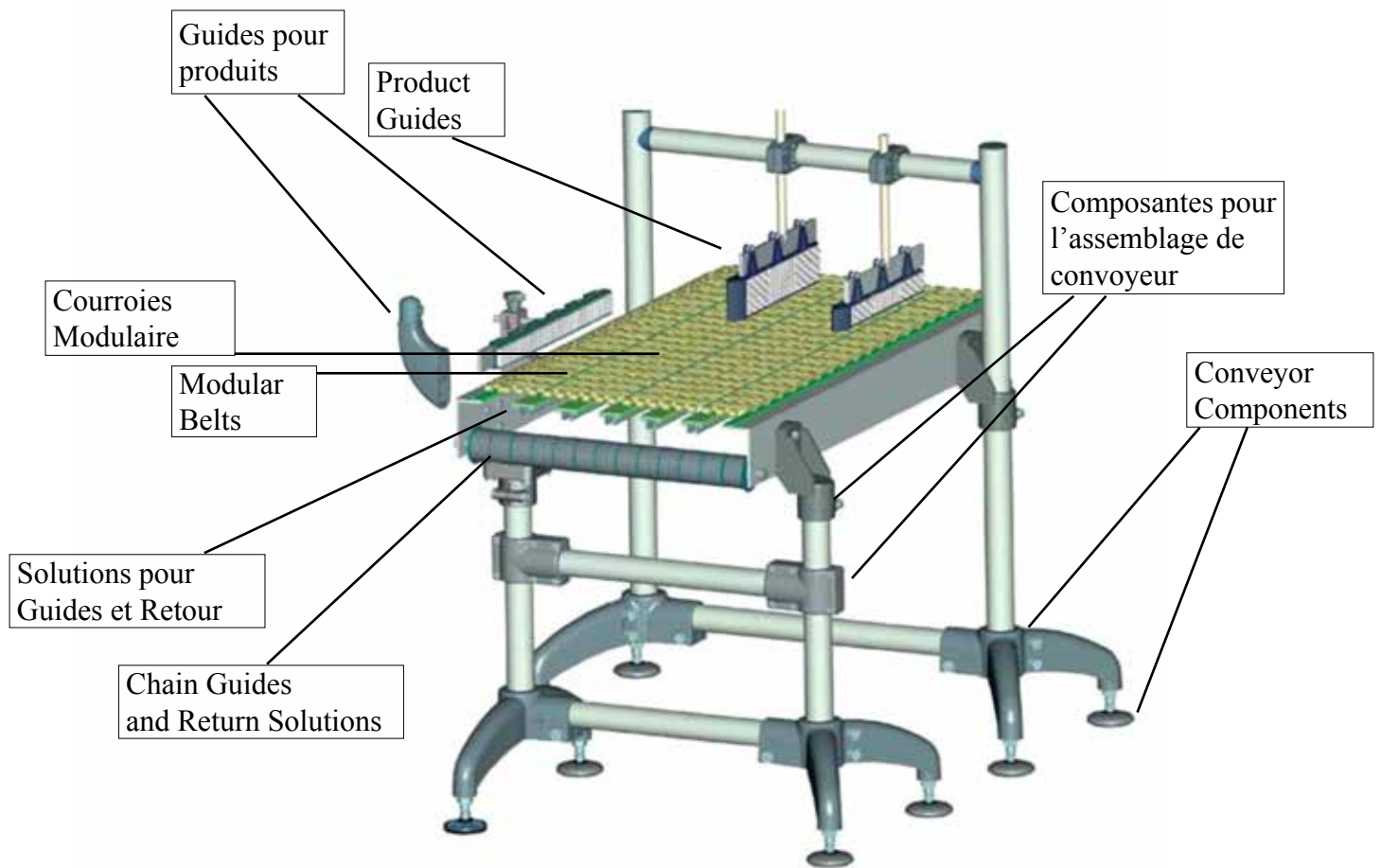


CRS VAMIC



Cartes de crédit majeures acceptées
Major credit cards accepted



Important

Toutes les mesures indiquées dans ce catalogue sont en format impérial à moins d'avis contraire.

Les dimensions sont nominales et sont assujetties aux tolérances du manufacturier.

Important

Inside this catalog you will find measurements in imperial dimensions unless otherwise stated.

All dimensions listed are nominal and are subject to manufacturer tolerances.

Communiquez avec CRS/VAMIC pour obtenir les dessins CAD des composantes, ou visitez www.crsvamic.ca

Contact CRS/VAMIC to obtain CAD drawings of components, or go to www.crsvamic.ca

Établi en 1978, CRS/VAMIC Inc. est le seul assembleur canadien de courroies modulaires HABALINK®, KVP®, RAM®, Falcon®, en plus d'être un maître-distributeur autorisé des produits Habachain®.

CRS/VAMIC Inc. est le représentant au Canada des composantes pour convoyeur MARBETT S.r.L.. Innovateur et chef de file depuis 1968, MARBETT S.r.L. fournit mondialement des composantes pour le marché de la fabrication de convoyeurs.

CRS/VAMIC a obtenu sa certification 3A de St-Gobain Performance Plastics pour l'assemblage des systèmes de boyaux/raccords Re-seal®. De plus, CRS/VAMIC offre les assemblés Perma-seal®, Perma-crimp®, le tube Tygon®, boyaux en PVC, Teflon® et autres matériaux de boyaux. Ces produits des plus sanitaires font de CRS/VAMIC Inc. une source d'approvisionnement indispensable pour l'industrie alimentaire, laitière, des boissons, des cosmétiques et pharmaceutique.

Depuis plus de 35 ans, CRS/VAMIC Inc. offre des produits de très haute qualité et se veut un fournisseur fiable et compétitif, reconnu pour son excellent service, sa compétence et sa grande quantité de produits en inventaire au Canada.

Merci de nous faire confiance.



TYGON
APPLICATION SPECIFIC TUBING
from Saint-Gobain Performance Plastics
DEHP Free Material

elesa

Established in 1978, CRS/VAMIC Inc. is the sole Canadian stocking assembler of HABALINK®, KVP®, RAM®, and FALCON® modular belt in addition to being an authorized HABACHAIN® master distributor.

CRS/VAMIC Inc. is the Canadian distributor of MARBETT S.r.L. conveyor components. Since its inception in 1968, Marbett S.r.L. has strived to supply its customers world wide with innovative and unique conveyor components.

CRS/VAMIC Inc. has achieved 3A certification from SAINT-GOBAIN PERFORMANCE PLASTICS for its innovative RE-SEAL® sanitary hose assemblies. In addition, CRS/VAMIC offers the Perma-Seal® and Perma-Crimp® assemblies, Tygon® tubing, PVC, Teflon® and other material hoses. These highly sanitary products allow CRS/VAMIC to be an incomparable source of supply for the food, beverage, cosmetic and pharmaceutical industries.

For over 35 years, CRS/VAMIC Inc. has supplied high quality products at competitive prices while providing an unprecedented level of customer service with a large inventory to meet your requirements.

We take this opportunity to thank you for your continued business.

Communiquez avec nous / Contact us :

CRS/VAMIC Inc.

300 St-Francois Xavier #207

Delson, Québec, J5B 1Y1

Tel : (450) 638-5541

Sans-Frais / Toll free : (800) 895-5548

Fax : (450) 638-5926

E-mail : info@crsvamic.ca

Web : www.crsvamic.ca

marbett
Conveyor Components

habasit

KVP
KVP • FALCON • RAM • FLETRAK

A
3

SAINT-GOBAIN
PERFORMANCE PLASTICS

NEW PRODUCTS

Hygienic Solutions

We are constantly introducing new products to meet industry specific requirements in sanitation utilizing leading edge technology such as Anti-Microbial resistant materials and products.



Hygienic Leveling Pads
3A Certified, all stainless steel with optional sleeve, white FDA rubber pads, in metric or imperial sizes. See page 78.



3A Certified Hose Assemblies
Our sanitary hose and fitting assemblies carry 3A and pharmacopia class 6 certification. Available with both reusable and permanent couplings. See page 95.



Sanitary Bearings
White uhmw machined housings and blue inserts, these bearings are used where sanitation is imperative. See page 93.



Tygon Tubing DEHP Free
New industry specifications will ban DEHP from flexible tubing. Tygon is a leader in its field and is now offering DEHP free tubing as a standard. Ask for our Tygon literature. See page 96.



Blue Sanitary UHMW
Available in different thickness and can be machined to your requirements. Ask for our blue UHMW anti-bacterial material.



H15 Blue PE Modular Belts (Anti-Microbial)
Habasit PE+H15 Material is offered in a range from 1/2" to 2" pitch in closed or open style of belts. Ask for our Habalink Modular H15 literature.

New Products

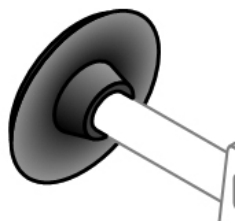
CRS/VAMIC and its suppliers strive to develop and introduce new products on a constant basis. Below is a snapshot of a few new product additions.



Bracket 648-652
In stock is a smaller base swivel bracket to match 3" high frames used with brackets 107. Available with or without swivel head. See page 30.



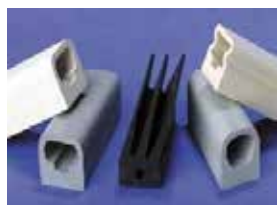
Bracket 107S
Small bracket 107 now comes in a swivel version for easier adjustment in radius conveyor applications. See page 29.



Safety Rod-End Caps
In stock, this new mushroom cap will enhance production line safety. See page 24.



Elesa Product Line
With indexing plungers, indicators, handwheels, and many more hardware products, ask for our expanded Elessa product line literature.



Replacement Grippers - Case Conveyor
Available in many styles, colors and materials. See page 47.



Dry Lube Corner Tracks
Dry Lube corner tracks offer a lower coefficient of friction than both plain UHMW and Oil-filled UHMW where minimal water consumption is demanded. See page 51.

C O N T E N T S

New products	Page 4
Other Literature	Page 6
Product Guides and Supports	
Guide Rail	Page 7,8,9,10
Wearstrips	
Chain Support	Page 11
Clip-On	Page 12,13
J-Leg	Page 14
Others	Page 15, 16, 17
Scraper	Page 18
Accessories	
Clamps for:	
Guide Rail	Page 19, 20, 21, 22
Round Rod	Page 23
Adjustable Rods	Page 24
Split Shaft Collars	Page 25
Photocell Accessories	Page 26, 27, 28
Cross Blocks	Page 27, 28
Side Mounting Brackets	Page 29, 30, 31, 32
Brackets Accessories and Spacers	Page 33, 34, 35
Ratchet Handles & Hand Knobs	Page 36, 37
Handwheels and Crank Handles	Page 38
Position Indicators	Page 39
Hinge and Pull Handles	Page 40
Modular Belt & Chain	Page 41, 42,
Conveyor Chains	
Chains	Page 43, 44, 45, 46, 47
Drive Sprockets & Idlers	Page 48, 49, 50, 51, 52
Corner Tracks	Page 51, 52
Accessories	Page 53, 54, 55
Modular Transfer Roller Plates	Page 56, 57
Roller Guides	Page 58, 59, 60, 61
Modular Nose Bar	Page 62
Conveyor Rollers	Page 63, 64, 65, 66
Frame Support Components	
Side Mounts & Support Heads	Page 67, 68
Bipods, Tripods, Tubes	Page 69, 70
Connecting Joints and Tube	Page 70, 71
Threaded Tube Ends and Tube	Page 72, 73
Leveling Pads	Page 74, 75, 76, 77, 78, 79, 80, 81
Hygienic Leveling pads	Page 78
Mounted Bearings	Page 82, 83, 84, 85, 86, 87, 88, 89, 90, 91, 92, 93, 94
Sanitary Hose Assemblies	Page 95, 96
Numerical Index	Page 97, 98

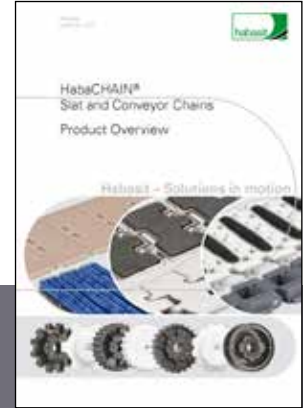
Literature



HABALINK Modular Belts



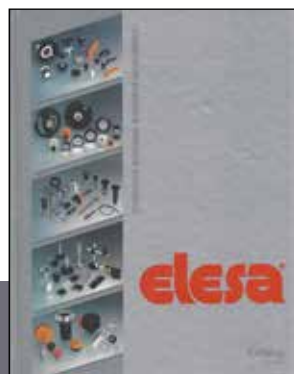
HABALINK Engineering



HABACHAIN Product Line



CLEANDRIVE Belts



ELESA Handwheel, Knobs and Indicators Product Line



ReSeal and **PermaSeal** Hose and Fittings Assemblies

Industry Specific Literature also available :

- Beverage and Bottling
- Meat and Poultry
- Bakery
- Dairy
- Corrugated
- Industrial

Visit :

WWW.CRSVAMIC.CA

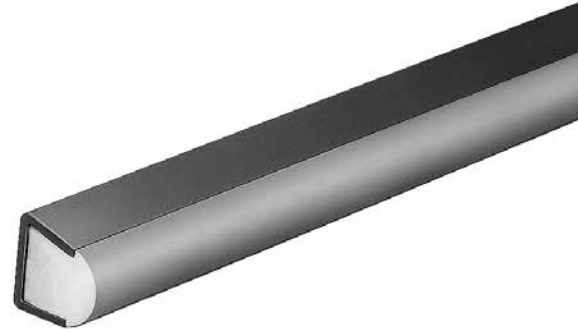
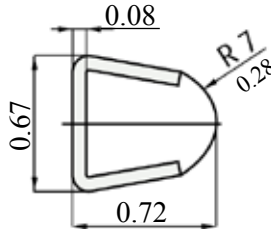
Product Guides & Supports

- All our guide rails are made with stainless steel AISI304 with white UHMWPE extruded inserts. Standard available length is : 10 feet (120 inches) / 3.048 meters
- Stainless steel sheet 0.08" thick gives a higher load strength to the rail, reducing the deflection caused by the load. Minimum bend radius is 5.71".
- Although guide rails can be used in a wide range of applications, certain styles are designed for specific conditions.
- Linear expansion coefficient:
 $4 \times 10^{-5} \text{ } ^\circ\text{C}^{-1}$ $2.2 \times 10^{-5} \text{ } ^\circ\text{F}^{-1}$

Guide rail round

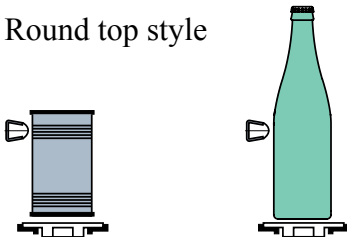
● Part # **CVR-10**

Tolerance: +/- 0.030
 Min. bend radius: 5.71"

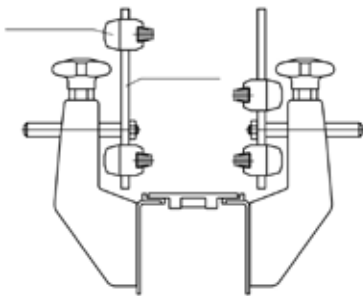


Standard length is 10 feet

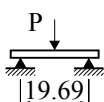
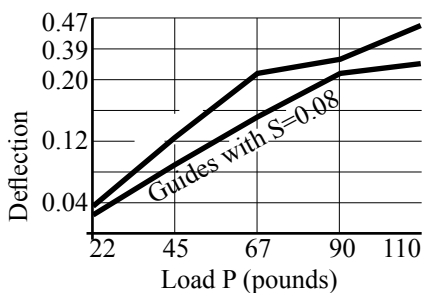
Round top style



Narrow flat top style



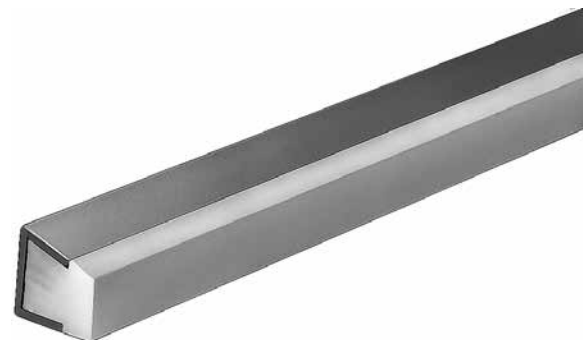
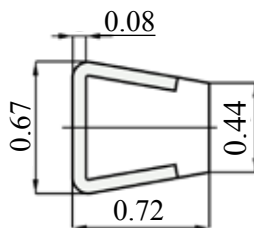
Deflection of part #CVR-10, CVR-12



Guide rail flat

● Part # **CVR-12**

Tolerance: +/- 0.030
 Min. bend radius: 5.71"

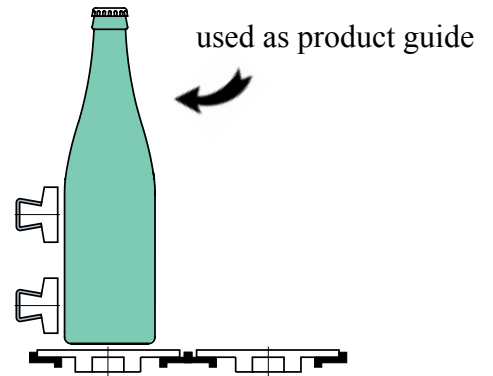


Standard length is 10 feet

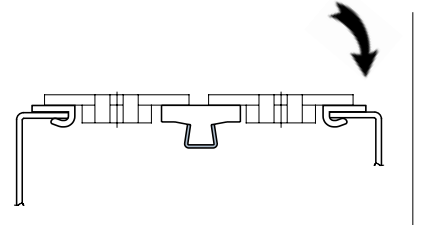
• Part # **CVR-23**

Guide rail 1" wide
Narrow Profile

Large flat top style



used as chain guide or belt support

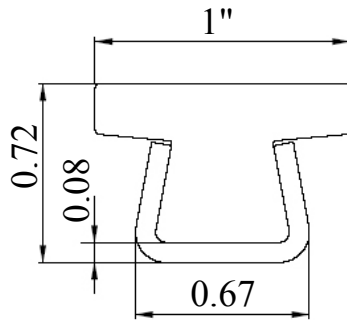


used as modular belt support



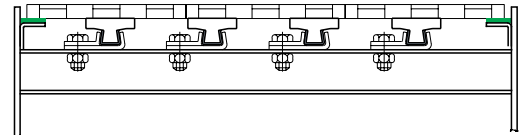
Standard length is 10 feet

Tolerance: +/- 0.030
Min. bend radius: 6.3"

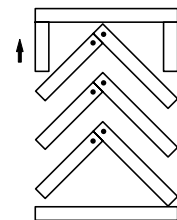


• Part # **CVR-16**

Guide rail 1-1/4" wide



CHEVRON pattern is recommended for heavy loads (accumulation tables, etc...). Chain wear is evenly distributed throughout the width.

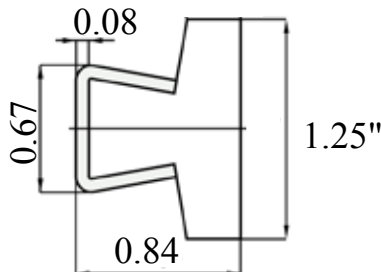


See page 19 for guide rail clips



Standard length is 10 feet

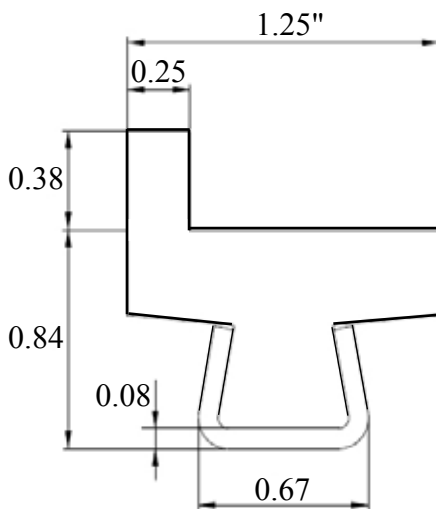
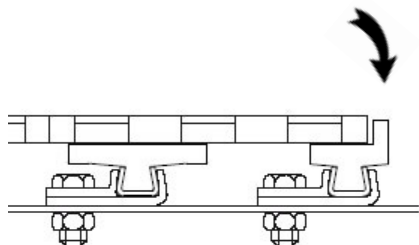
Tolerance: +/- 0.030
Min. bend radius: 6.3"



Guide rail L shape

● Part # **CVR-55S**

used as modular belt support



Tolerance: +/- 0.030



Standard length is 10 feet

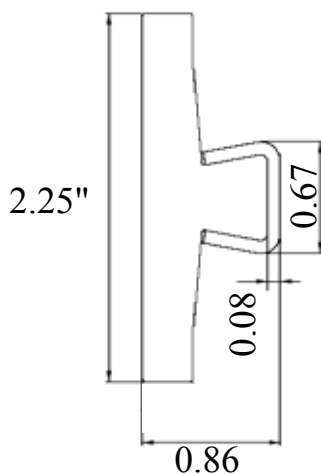
Note: The height offered on product CVR-55S matches height on products CVR16 and CVR37.

Guide rail 2-1/4" wide

● Part # **CVR-37**

Tolerance: +/- 0.030
Min. bend radius: 7.9"

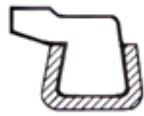
See page 19 for guide rail clips



Standard length is 10 feet

Product Guides & Supports

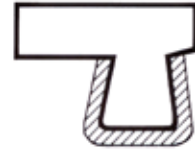
Other styles available on request, please contact us for more information.



CVR-13S



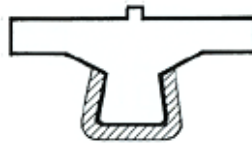
CVR-29S



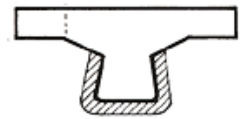
CVR-17S



CVR-11S



CVR-1.7RIB



Other styles available

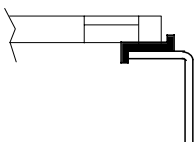
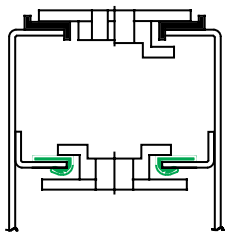
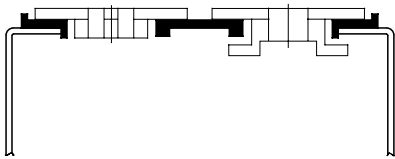


Visit our website frequently at WWW.CRSVAMIC.CA for promotions, liquidations, new product additions, CAD drawings, etc... There is a host of information available at your finger tips on our complete line of products whether it be for modular belts, sanitary hose assemblies, conveyor components, or Tygon tubing.

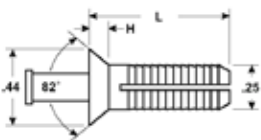
Visitez fréquemment notre site au: WWW.CRSVAMIC.CA pour consulter les nouveaux produits, items en promotions et liquidations, dessins CAD, etc.. Énormément d'informations y sont disponibles sur nos lignes de produits complètes, autant dans la courroie modulaire, les assemblées de boyaux sanitaires, les composantes de convoyeur ou les tubes Tygon.

Wearstrip for Conveyor Belts, Chains, and Product Supports

Chain Guides can be used in chain applications for carryway support and return of straight sections.

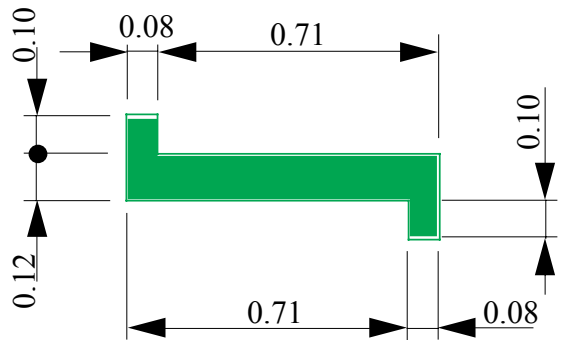


Plastic rivets can be used to assemble wearstrips. See page 15 for details



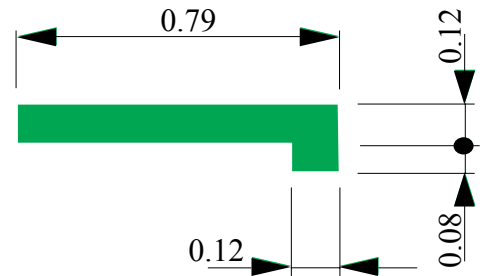
Chain guide profile
Green uhmw
standard length : 3 meters

Part # 241-63641



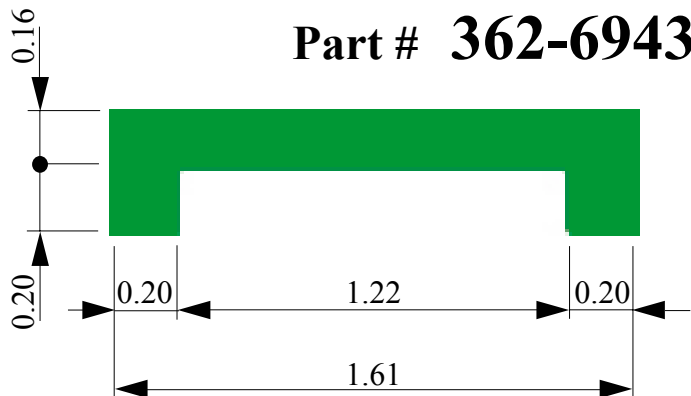
Chain guide profile
Green uhmw
standard length : 3 meters

Part # 243-63701



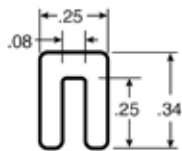
Chain guide profile
Green uhmw
standard length : 3 meters

Part # 362-694331



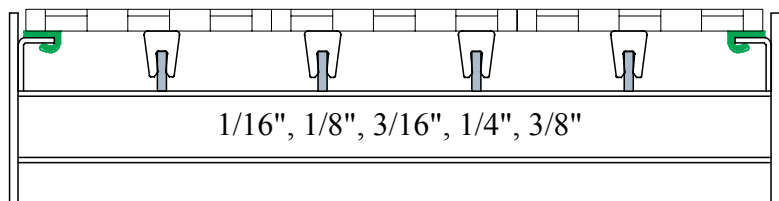
Bar Cap Clip-On

Standard material is white UHMW supplied in lengths or coils

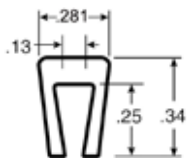


1/16"

CV-390

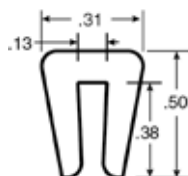


Modular belt supports are available to fit different thickness of conveyor frames.



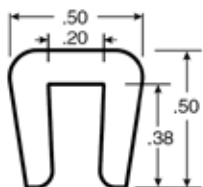
1/8"

CV-391



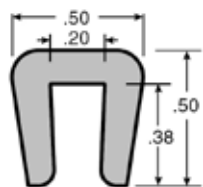
1/8"

CV-391D



3/16"

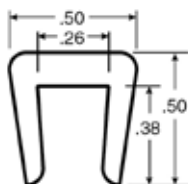
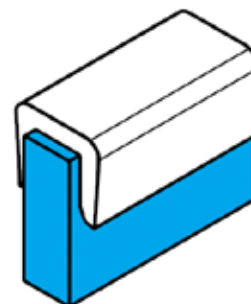
CV-396D



3/16"

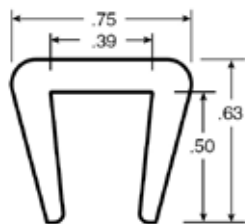
CV-298PL

Grey oil filled UHMW



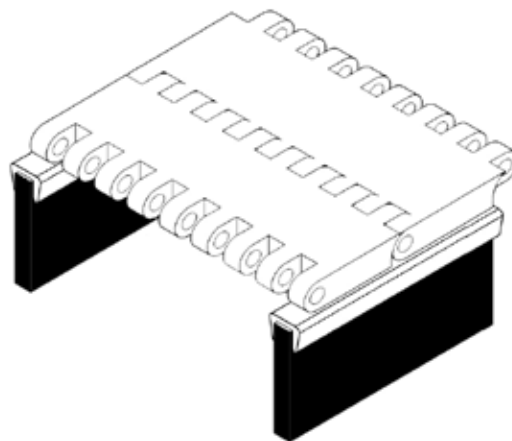
1/4"

CV-392



3/8"

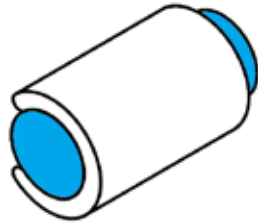
CV-394



Full and Half Round Bar Cap

Full Round Bar Cap (rod covering)

Supplied in lengths or coils of white UHMW



5/16"

CV-508



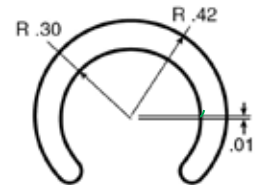
3/8"

CV-370



1/2"

CV-371

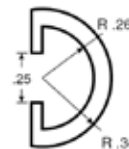
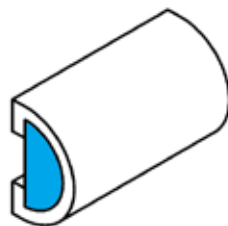


5/8"

CV-372

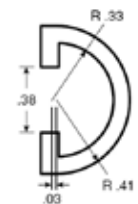
Half Round Bar Cap (rod covering)

Supplied in lengths or coils of white UHMW



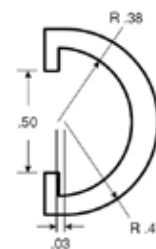
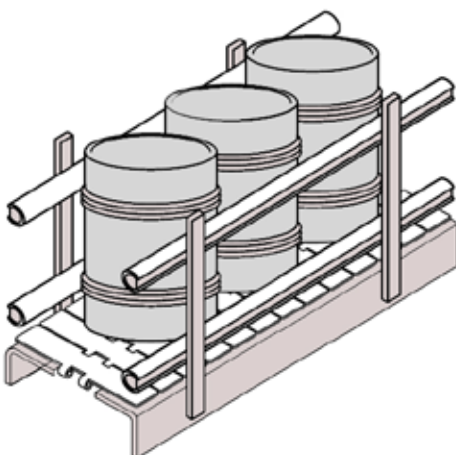
1/2"

CV-364



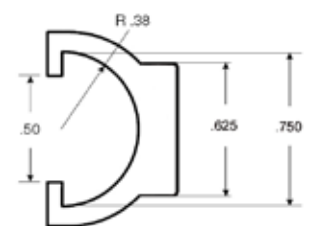
5/8"

CV-365



3/4"

CV-366



3/4"

CV-367

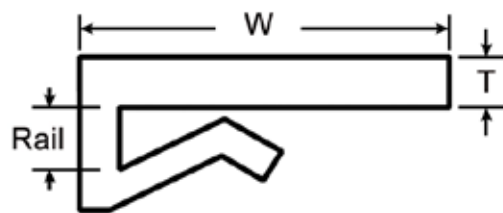
J-Leg Clip-On Wearstrip

Code	Rail	T	W
CV-410	1/8"	1/8"	1"
CV-420			1-1/2"
CV-420PL **			1-1/2"
CV-421		2"	
CV-412		3/16"	1"
CV-410T		1/4"	1"
CV-415	1/8" & 3/16"	3/16"	1"
CV-418			1-1/2"
CV-416			2"
CV-417			3"
CV-420T	1/4"	3/16"	1-3/8"

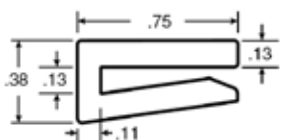
**Grey oil filled UHMW

Standard material is white uhmw supplied in coils or lengths.

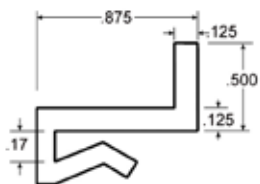
J-leg clip-on wearstrips can be used in chain guide applications, product guides or modular belt wear prevention.



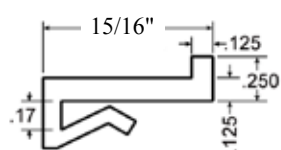
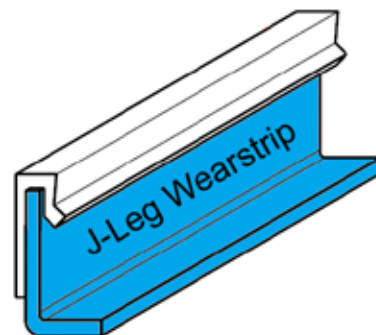
Overall thickness may vary, to be verified at time of order



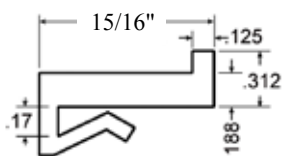
CV-861



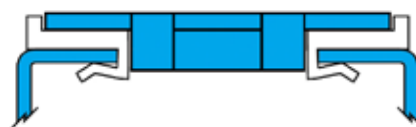
CV-423



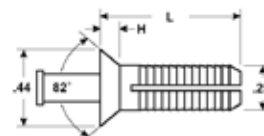
CV-411



CV-413

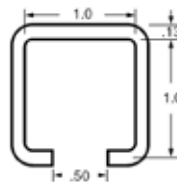
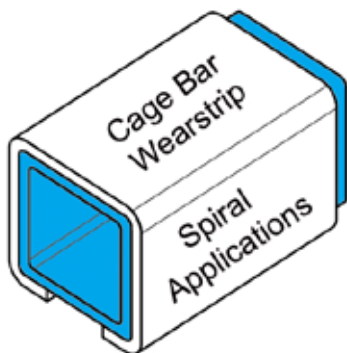


Plastic rivets can be used to assemble wearstrips. See page 15 for details



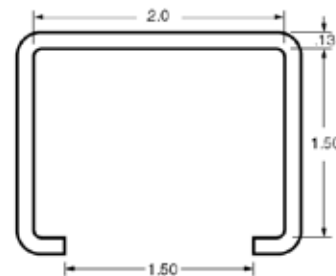
Cage Bar and C Rail Covers

Standard material is white uhmw
(custom lengths are available, contact us for details)



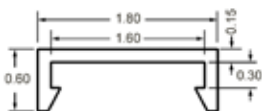
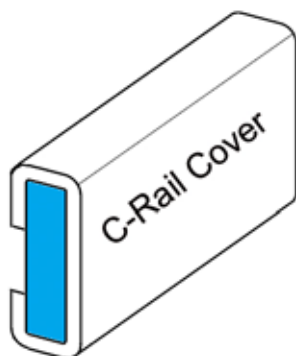
1" X 1"

CV-384



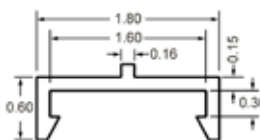
1-1/2" X 2"

CV-387



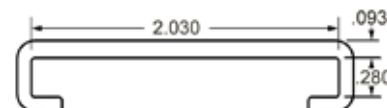
1/4" X 1-1/2"

CV-431



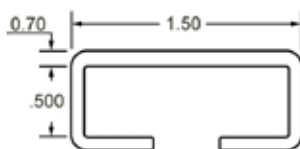
1/4" X 1-1/2"

CV-430



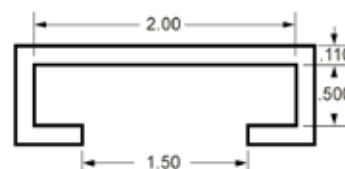
1/4" X 2"

CV-381



1/2" X 1-1/2"

CV-380



1/2" X 2"

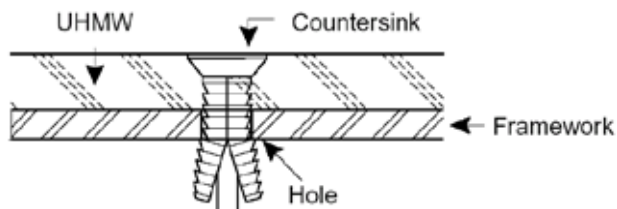
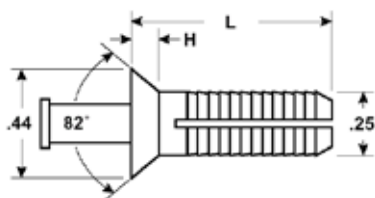
CV-386

Rivets

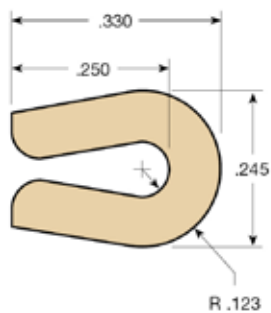
Plastic Rivets

Excellent for flat wearstrips and extrusions

Code	L
SNDR-0750	3/4"
SNDR-1000	1"

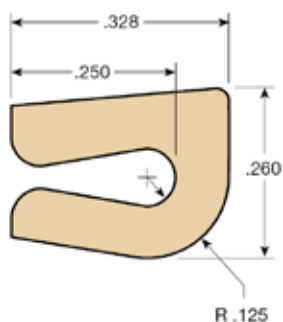


Air Conveyor Neck Guide



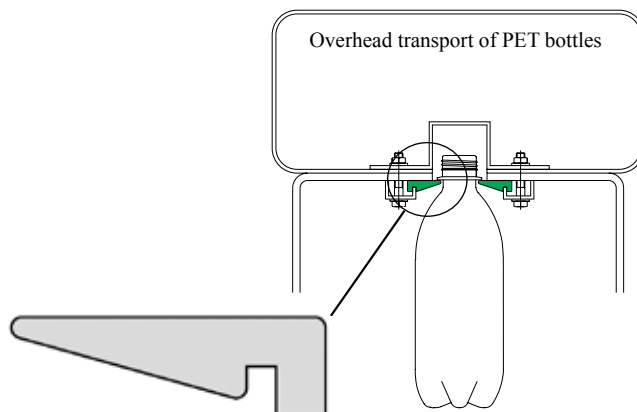
CV-299PL

Supplied in grey oil filled UHMW



CV-300

Supplied in black glass filled UHMW

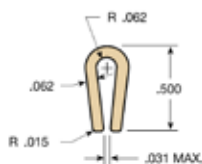


Many types, styles, and dimensions available.
Contact us for details.

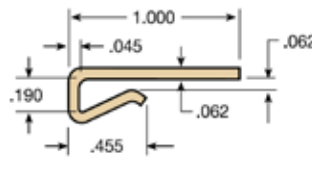
Nylon MD Extrusions



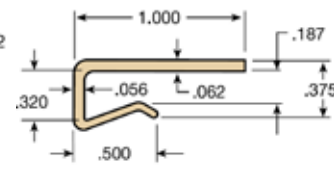
CV-101



CV-106



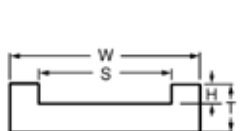
CV-226



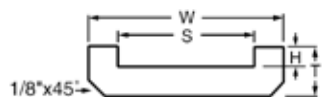
CV-242

Chain Guides

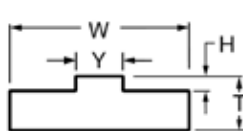
Supplied in white UHMW or other materials in lengths of 10 feet.



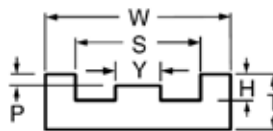
Type 1



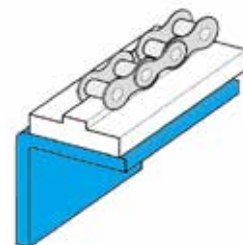
Type 2



Type 5



Type 7

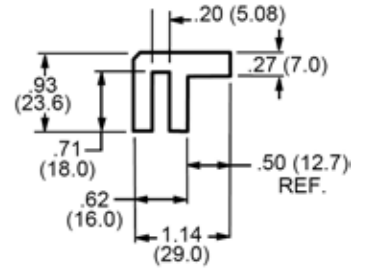


Chain #	Type	T	W	H	S	P	Y
2040	1 & 2	5/16	1-1/4	1/8	7/8	-	-
	5	5/16	1	.080	-	-	1/4
	7	5/16	1	.140	11/16	.080	1/4
2050	1 & 2	3/8	1-1/4	5/32	1	-	-
	5	5/16	1-1/4	.100	-	-	5/16
	7	3/8	1-1/4	3/16	13/16	.100	5/16
2060	1 & 2	3/8	1-1/2	3/16	1-1/4	-	-
	5	5/16	1-1/4	.115	-	-	7/16
	7	1/2	1-1/2	.213	1-1/8	.115	7/16
2080	1 & 2	1/2	2	1/4	1-9/16	-	-
	5	3/8	1-1/2	.130	-	-	9/16
	7	1/2	2	1/4	1-7/16	.130	9/16

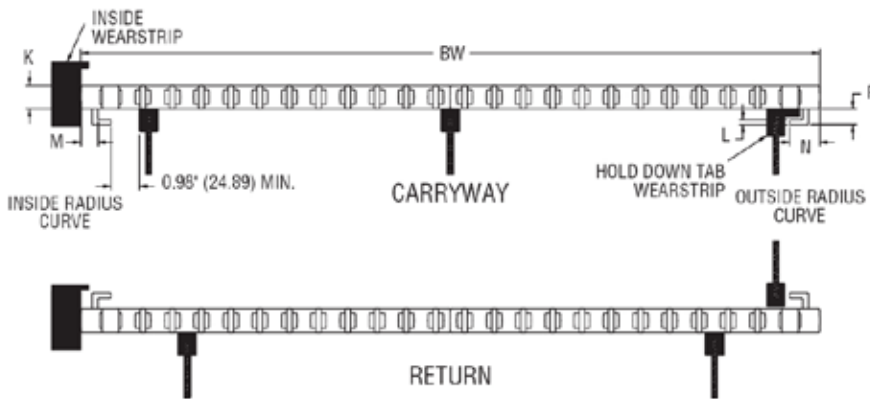
Modular Belt Specific Wearstrip

Standard material is grey oil filled uhmw, supplied in 10' or 20' lengths

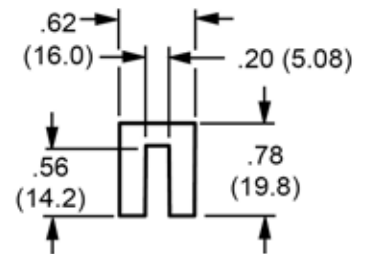
Part # **10158-PL-IS**



Application Example



Part # **10158-PL**

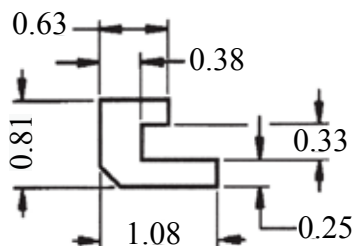
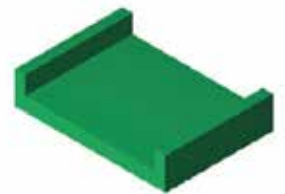
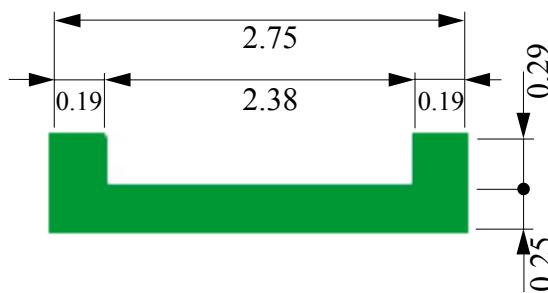


Standard material is white uhmw, supplied in 10' lengths

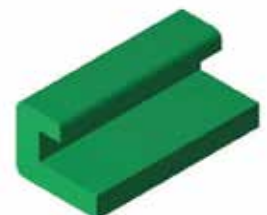
Chain Specific Wearstrip

Part # **N92000S**

Application Example



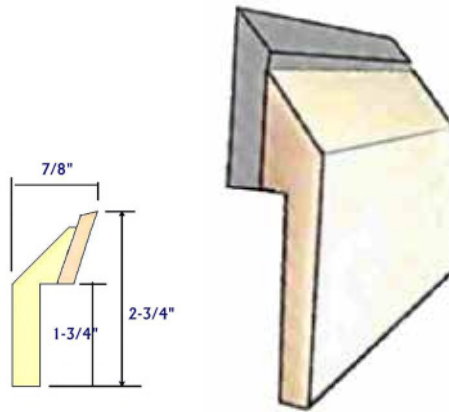
Part # **N92000R**



Dual Durometer Belt Scraper CV-MTDD Reduce Product Loss!

Product Specification

- Dual Durometer scraper has a co-extruded rigid base for mounting.
- Soft flexible tip all in one piece!
- The larger base allows for direct mounting to cross supports and frames.
- Maximum operating temperature : 180°F



- Soft Tip is made in «Solid Ultra TPU»
- Rigid Base is made with FDA approved PVC compound
- Dual Durometer scraper sold in 8 ft lengths

Application Example

Scrapers are used to clean many types of belting, and conveyors.



The soft scraper blade is shown here pressed against a curved-top modular belt.

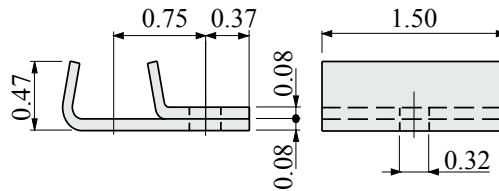
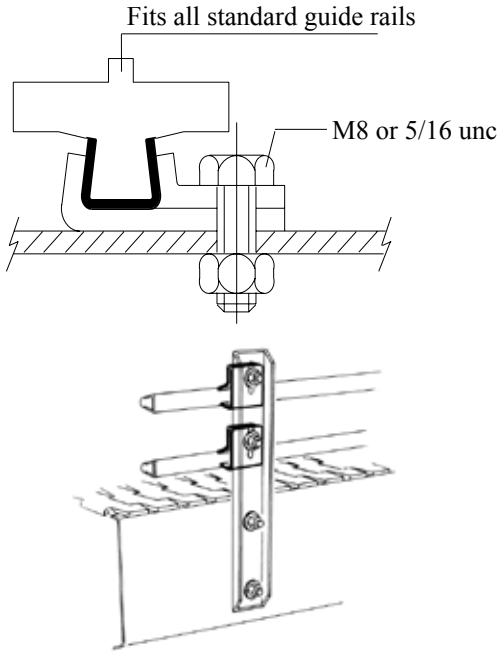


The scraper can be installed as illustrated under the conveyor onto the existing conveyor frame.

Rail Clamps

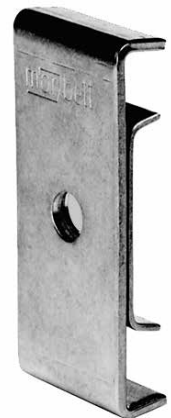
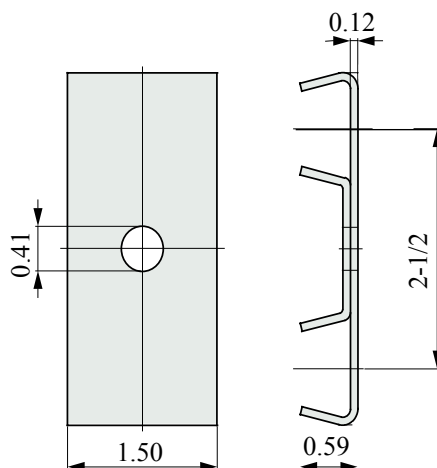
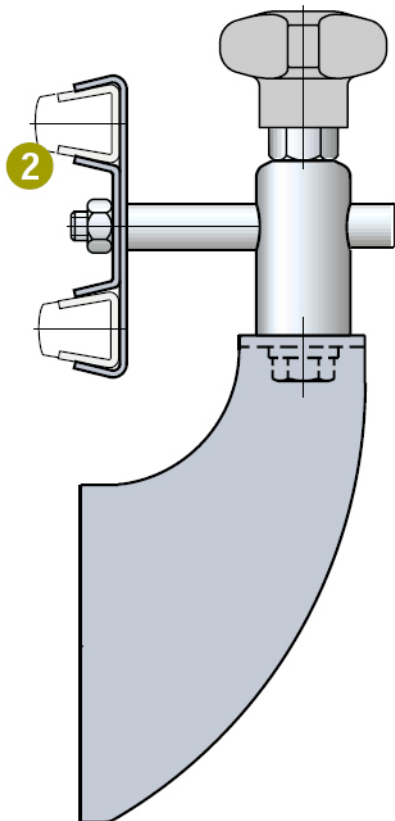
Part # **215-65976**

Single Rail Clamp in Stainless Steel

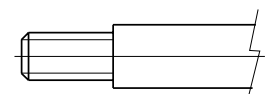


Part # **217-695131**

Double Rail Clamp in Stainless Steel

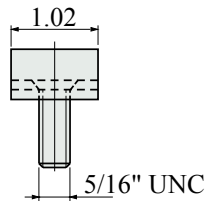
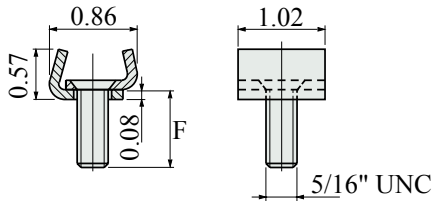


See page 24 for rod dimensions

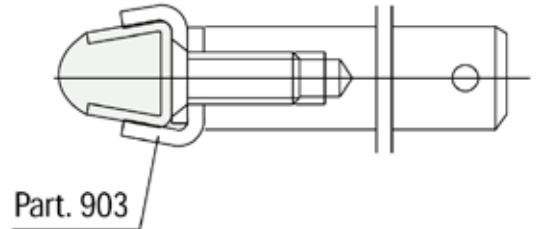


Rail Clamps

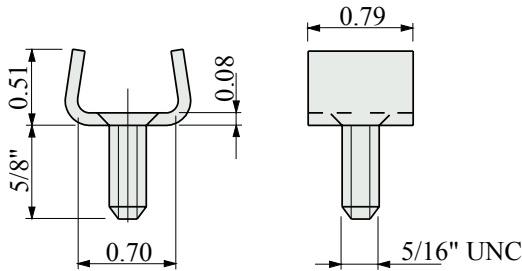
Part #	F
903-652071	5/8"
903-654101	3/4"
903-654111	1"
903-654121	1-1/4"



Two Piece Single Rail Clamp
in Stainless Steel



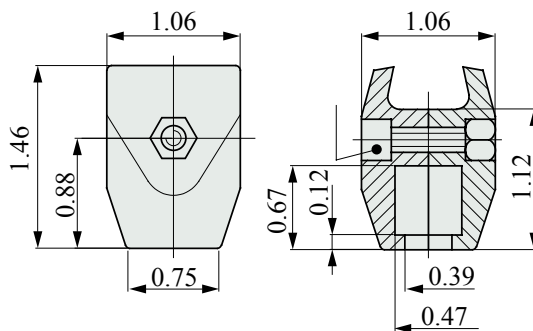
Part # 216-60132



Single Rail Clamp in
Stainless Steel

Part # 210-600372

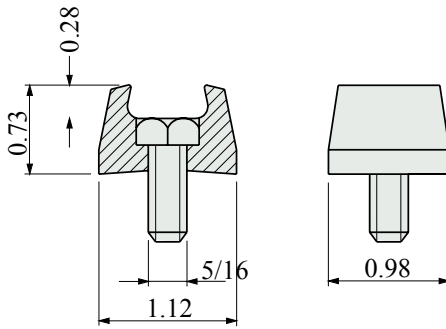
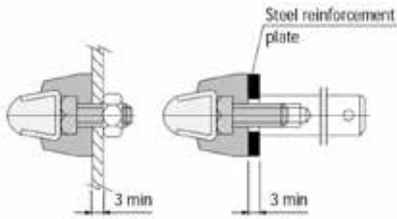
Rod end clamp for guide rail is supplied in polyamide with stainless steel hardware. (fits guide rail with "S" = 0.06" or 0.08")



For rod specifications, see page 24

Compression Clamps

Compression clamps for guide rail are available in plastic or aluminum.
(Fasteners not included)

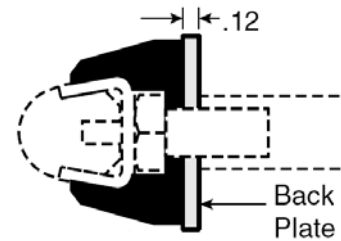
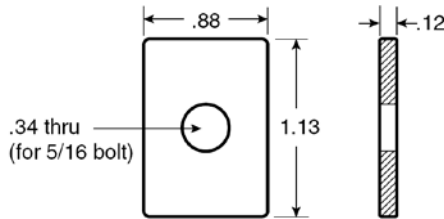


Part #	Material
275-664151	Polyamide
275-AL	Aluminum



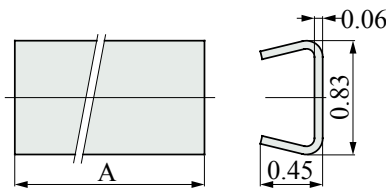
Back Plate Part # 275-BP

Backplate in stainless steel AISI 304, for compression clamp series 275.



Splice Sleeves

Splice sleeve for guide rail, supplied in stainless steel AISI 304

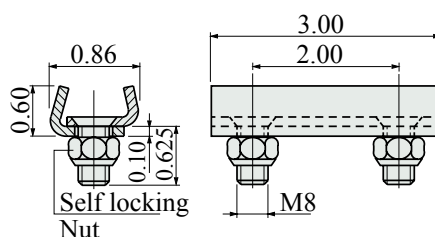
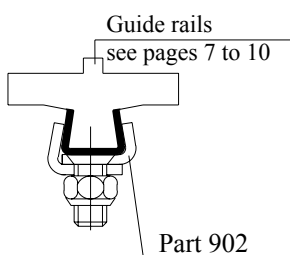


Part #	A
214-60111	2"
214-60113	3"



ViseSplice™ sleeve for guide rail, supplied in stainless steel AISI 304

Part # 902-656041

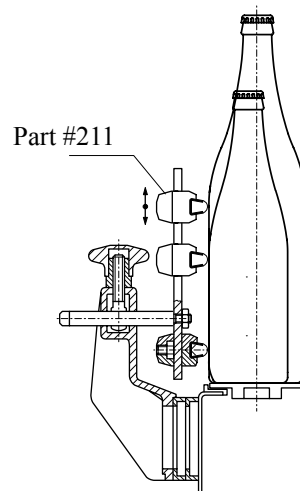
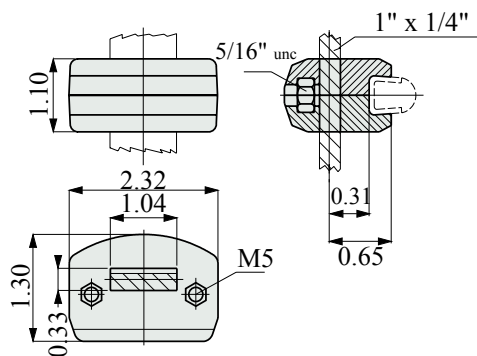


Rail Clamps

Part # 211-691201

Clamp #211 is supplied in polyamide with stainless steel hardware

Assembly of guide rail clamp #211 allows unlimited height adjustment



Other Guide Rail Accessories

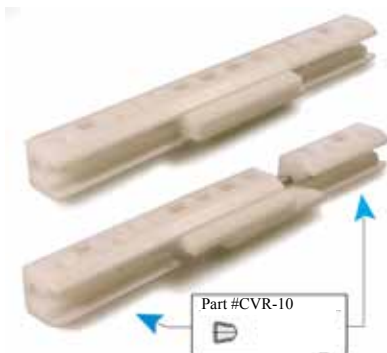
Part # 213-61261

Double rail clamp in polyamide



Part # 736-695402

Sliding joint clamp



Part # 739-695522 Part # 740-695532

Radius clamp accessories



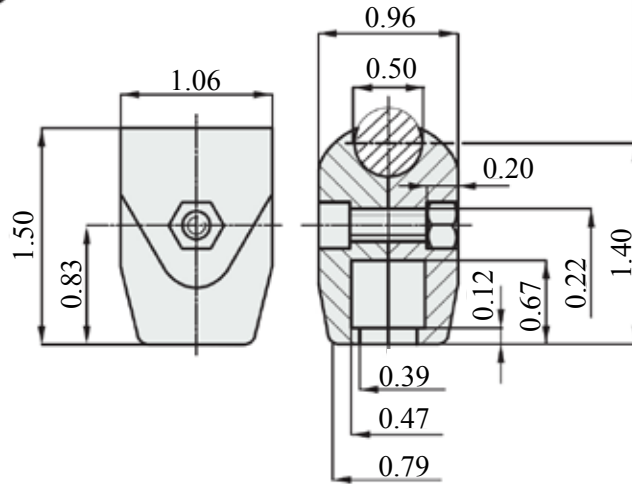
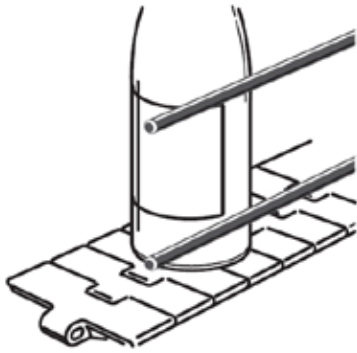
Detailed specifications on these items available on request. Contact CRS/VAMIC.

Rod Clamps

Part # **82B-6683800**

For use with 1/2" round rod guides

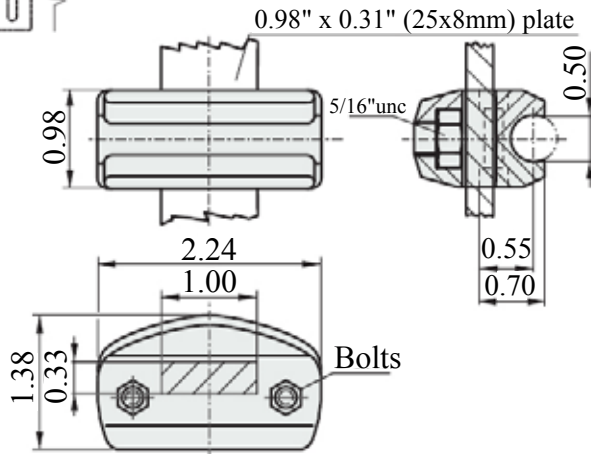
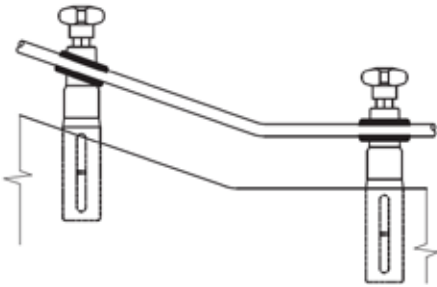
Rod end clamp in polyamide



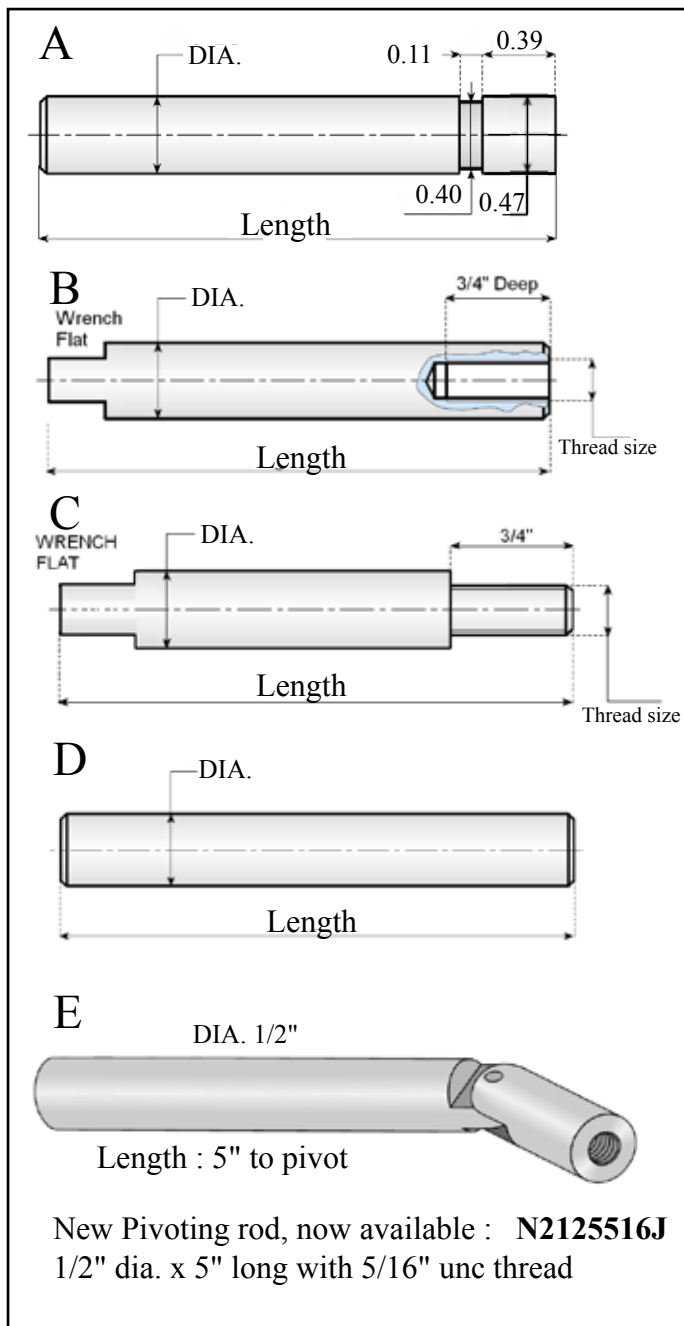
Part # **159-672972**

Recommended for inclined applications

Rod clamp in polyamide for 1/4 x 1 flat bar



Stainless Steel Adjustable Rods



Code	Description	Type
020R3MB	1/2" x 3" c/w groove	A
020R5MB	1/2" x 5" c/w groove	A
020R8MB	1/2" x 8" c/w groove	A
020R10MB	1/2" x 10" c/w groove	A
212-3-516	1/2" x 3" c/w 5/16" unc tapped thread	B
212-5-516	1/2" x 5" c/w 5/16" unc tapped thread	B
212-8-516	1/2" x 8" c/w 5/16" unc tapped thread	B
212-5-38	1/2" x 5" c/w 3/8" unc tapped thread	B
212-5-38M	1/2" x 5" c/w 3/8" unc male thread	C
020R5	1/2" x 5" plain	D
020R8	1/2" x 8" plain	D
020R10	1/2" x 10" plain	D
020R12	1/2" x 12" plain	D
212-5-516J	1/2" x 5" with pivot head threaded 5/16	E
212-9-516J	1/2" x 9" with pivot head threaded 5/16	E
212-12-516J	1/2" x 12" with pivot head threaded 5/16	E

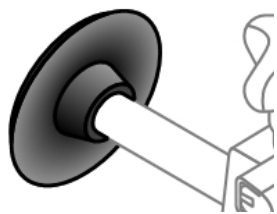
Material : S.S. 303
 Diameter : 1/2" standard, 5/8" available on request
 Standard lengths : 3", 5", 8", 10", 12"
 (custom lengths available upon request)
 Groove or Thread (5/16" unc, 3/8" unc, 3/8" unc male)

Rod type	can be used with clamp #
A	210, 739, 740, 82B
B - E	215, 217, 903, 216, 275
C	217, 213
D	Plain rod to be used with cross blocks and photocell components

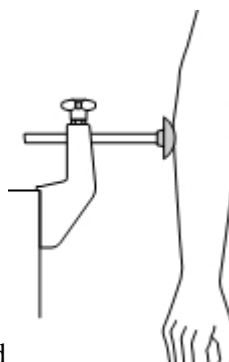
Laser-numbered rods available on request



Safety Caps



Part 020-M-CAP-B
 Supplied in black rubber
 1/2" bore x 1" long x 2-1/4" od.

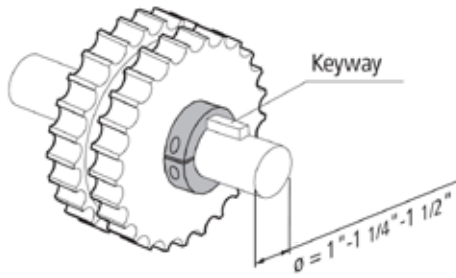


Part 020-CAP-B
 Supplied in black vinyl
 1/2" bore x 1" long
 (Other colors available on request.)

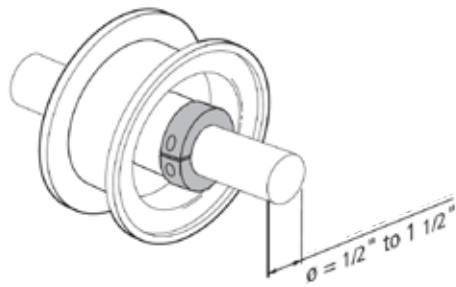


Split Shaft Collars

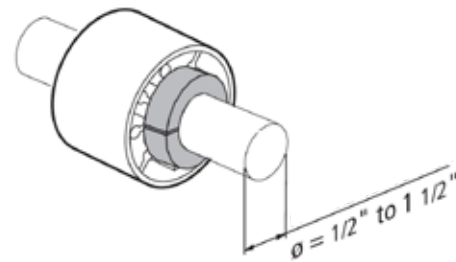
- With sprockets



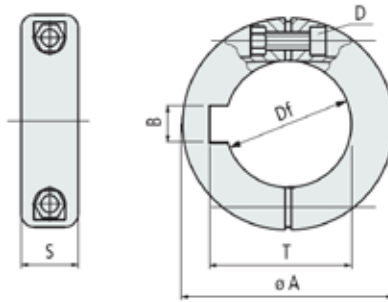
- With idler wheels



- With rollers



Split shaft collar supplied in black polyamide with stainless steel hardware. Smaller sizes of 1/2 and 3/4 are supplied without keyway. Keyway is optional on sizes 1", 1-1/4" and 1-1/2".

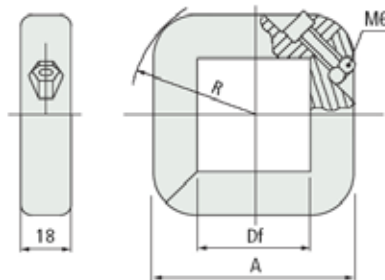
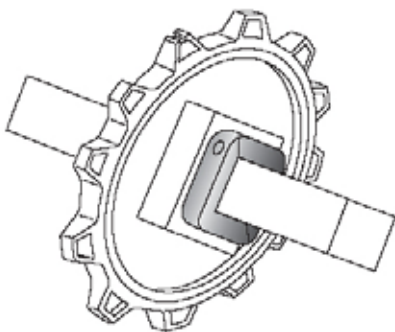


Code	Df	A	B	D	S	T
612-655072	1/2	1.18	-	M4	0.46	-
612-655102	3/4	1.57	-	M4	0.55	-
612-608453	1	1.77	-	M4	0.55	-
612-655112	1	1.77	0.25	M4	0.55	1.13
612-608463	1-1/4	1.97	-	M4	0.63	-
612-655122	1-1/4	1.97	0.25	M4	0.63	1.38
612-611283	1-1/2	2.50	-	M5	0.71	-
612-655132	1-1/2	2.50	0.38	M5	0.71	1.68

Maximum recommended tightening torque is: 26 in lb

Split Shaft Collars Square Bore

Perfect solution for modular belt sprockets
 Split shaft collar for square shafts are supplied in with stainless steel hardware



- Version in reinforced Polyamide PA FV gives better resistance at high temperatures.
- Version in reinforced Polypropylene PP FV gives better resistance against chemical agents.

Code	Material	Df	A	R
612-10C *	Blue polypro	1	2	1.05
612-692942 *	Black polyamide	1-1/2	2.83	1.73
612-689842 *	Black polypro	1-1/2	2.83	1.73
612-689872 *	Black polypro	2-1/2	3.74	2.28

Maximum recommended tightening torque is: 26 in lb

*Not suitable for certain sprocket diameters.

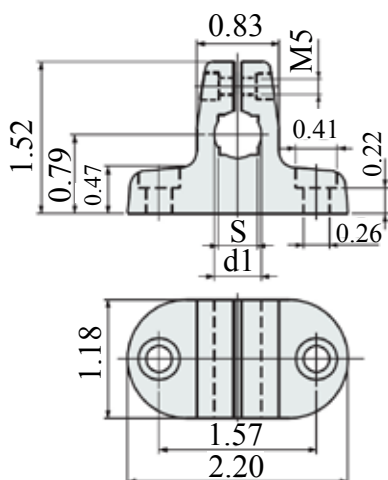
Consult CRS/VAMIC Inc. for additional information prior to ordering.

Photocell Accessories



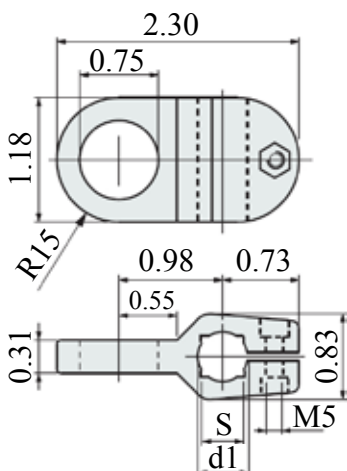
Side mounting clamp
Supplied in black polyamide with
stainless steel hardware

Code	Round d1	Square S
339-611063	1/2"	7/16"
339-68363	10mm	8mm
339-68375	12mm	10mm



Clamp for photocell or sensor
Supplied in black polyamide with
stainless steel hardware

Code	Round d1	Square S
341-611073	1/2"	7/16"
341-68383	10mm	8mm
341-68395	12mm	10mm



Other Photocell Accessories

10mm round tubes with end plugs



Tube : Part # 344-69713-length
Plug : Part # 343-69703

Clamp 341C-67215 also available
for "clip-on" reflectors.

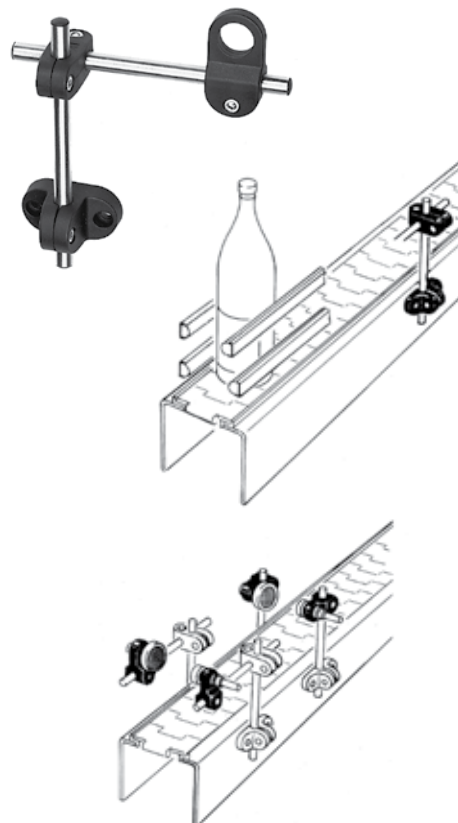


Part # 341C-67215
(10mm)

Photocell holder, can also be used
to install reflectors.

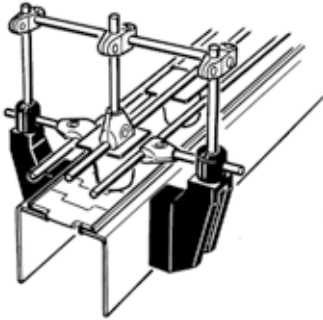


Part # 372-61806 (5/8")

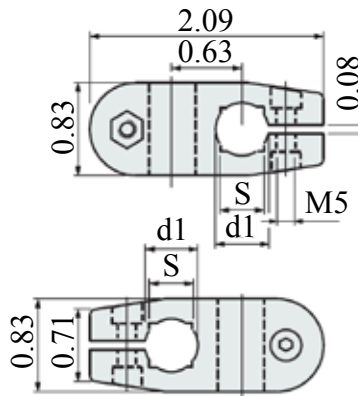


Mini Cross Block

Mini Cross Block
Supplied in black polyamide with
stainless steel hardware



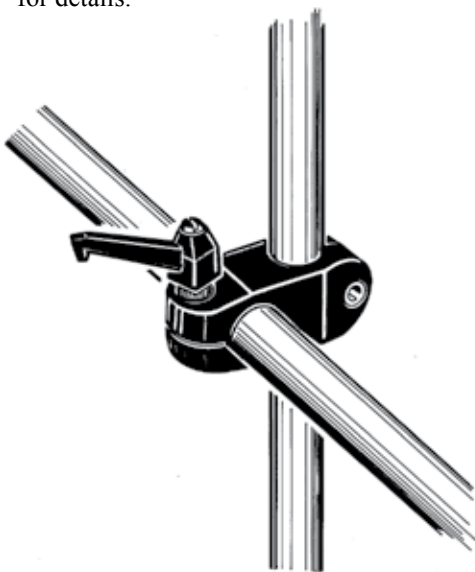
Code	Round d1	Square S
340-611043	1/2"	7/16"
340-68373	10mm	8mm
340-68385	12mm	10mm



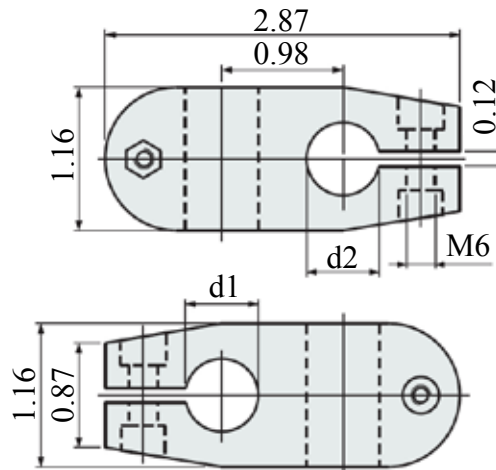
Standard Cross Block

Cross Block
Supplied in black polyamide with
stainless steel hardware

Ratchet handle 303-60922 is a perfect match for cross block 174. See page 36 for details.



Code	d1 x d2
174-646481	1/2" x 1/2"
174-646471	1/2" x 5/8"
174-646461	5/8" x 5/8"



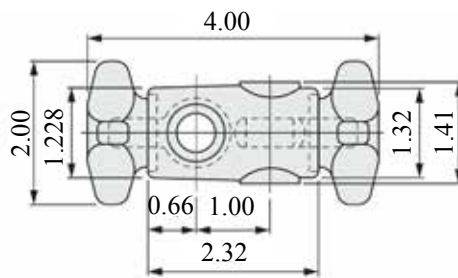
Cross Block with Ergonomic Handles

Cross block clamp designed to connect two round rods at 90°. Easily Adjustable.

Ideal for time saving on frequent adjustments.



Code	Rod size
732-692352	1/2" x 1/2"
732-692362	1/2" x 5/8"
732-692372	5/8" x 5/8"



Mini Cross Block with Handles

Part # **732-MINI-13182**

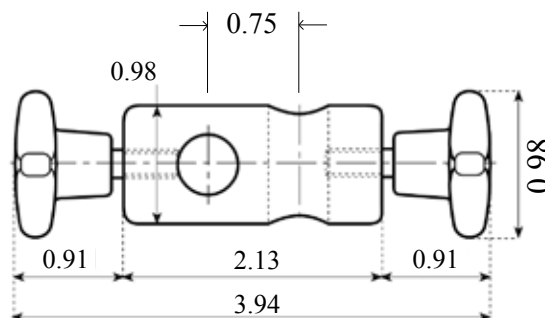
Light duty cross block clamp designed to connect two 1/2" round rods at 90°.

Ideal for time saving on frequent adjustments.

Distance between rods is 3/4" center to center.



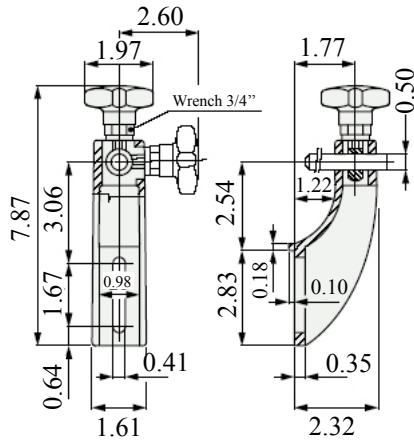
Code	Rod size
732-MINI-13182	1/2" x 1/2"



Side Mounting Bracket

Part # **107-68200N**

Side mounting brackets are supplied for 1/2" round shafts.
 Material : knob in reinforced polyamide, hexagonal insert (for 3/4" wrench) in nickel plated brass, washer and eyebolt in stainless AISI 304. Base is supplied in black reinforced polyamide.



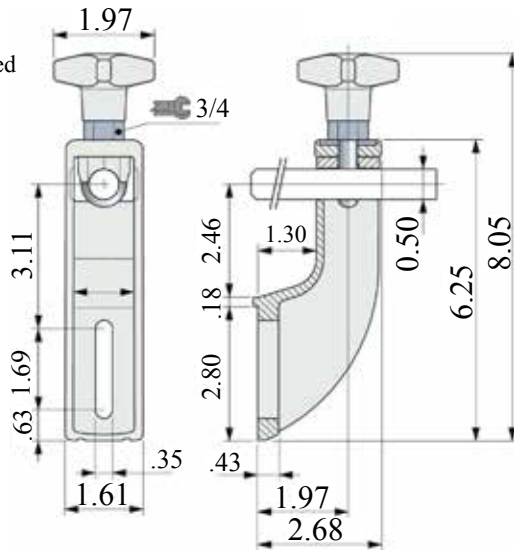
Adjustable Side Mounting Bracket

Part # **107S-643523**

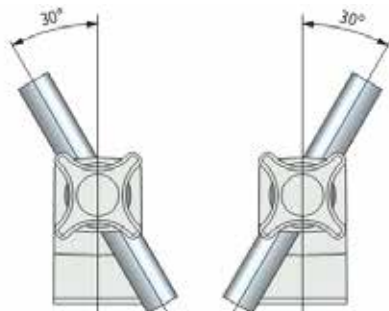
Side mounting brackets are supplied for 1/2" round shafts.
 Material : knob in reinforced polyamide, hexagonal insert (for 3/4" wrench) in nickel plated brass, washer and eyebolt in stainless AISI 304. Base is supplied in black reinforced polyamide.



+/- 30° Pivot



ACCESSORIES



Spacer # **61-50870**



See page 34 for details.

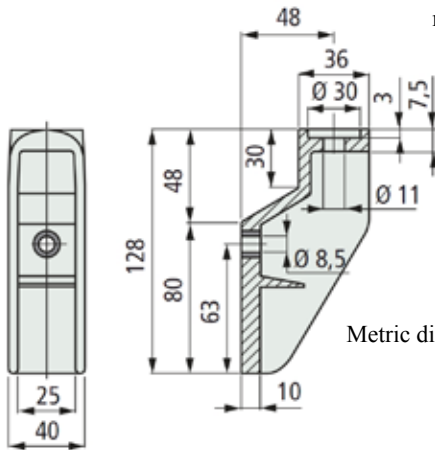
Eyebolt # **65624 (1/2")**



1/2" bore, M10 thread,
 Stainless Steel

Small Side Mounting Bracket

Part # 648-653112



Metric dimensions shown

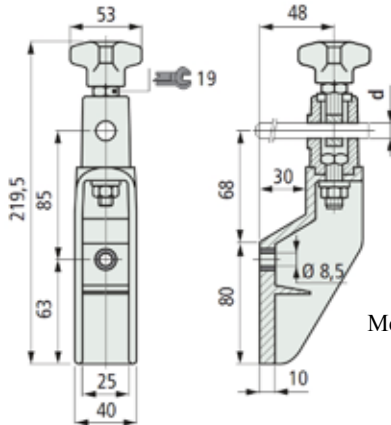
Side mounting brackets are supplied in black reinforced polyamide.

Small Side Mounting Bracket

Part # 652-653872



648 and 652 are small brackets.
See page 32 for standard size, part
637-648372



Metric dimensions shown

Side mounting brackets are supplied for 1/2" round shafts.

Material : knob in reinforced polyamide, hexagonal insert (for 3/4" wrench) in nickel plated brass, washer and eyebolt in stainless AISI 304. Base is supplied in black reinforced polyamide.

ACCESSORIES

Spacer # 61-50870



See page 34 for details.

Spacer #227-61931



See page 34 for details.

Eyebolt #65524 (1/2")



1/2" bore, M10 thread,
Stainless Steel.

Washer # 64184



Stainless Steel, fits base
bracket or swivel head.

Swivel Head # 256



Available in 1/2" or 5/8", see page 35.

Knob # 182-54911



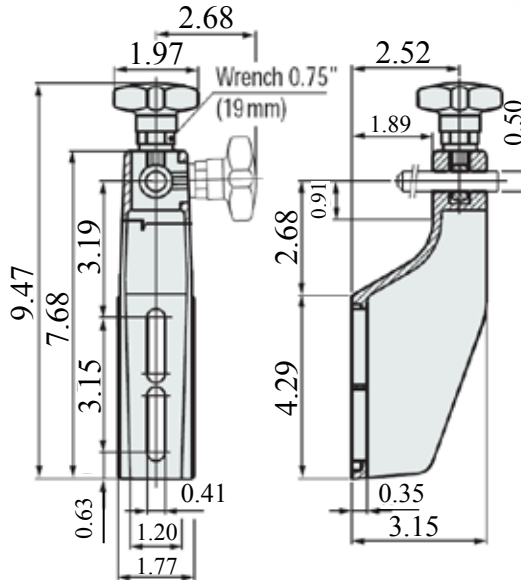
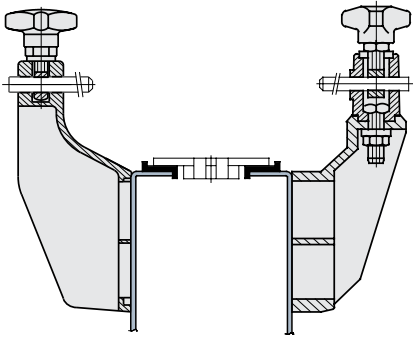
See page 35 for details.

Side Mounting Bracket

Part # 599-613572

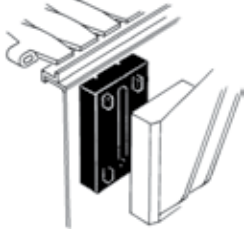
Side mounting brackets are supplied for 1/2" round shafts.

Material : knob in reinforced polyamide, hexagonal insert (for 3/4" wrench) in nickel plated brass, washer and eyebolt in stainless AISI 304. Base is supplied in black reinforced polyamide.



Accessories:

Spacer #142, see page #34 for details



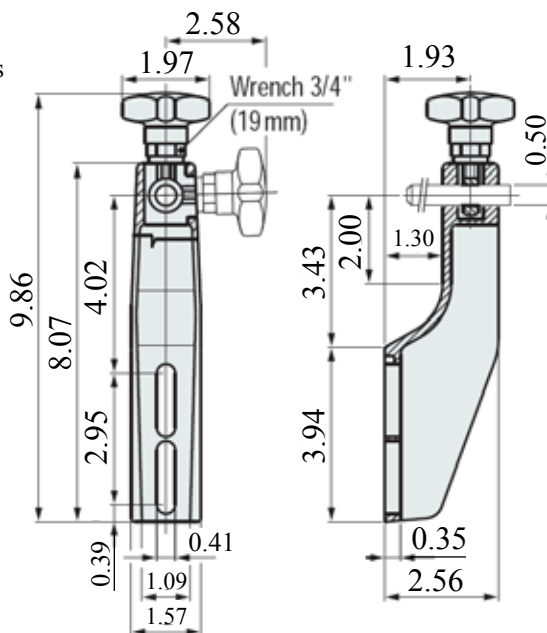
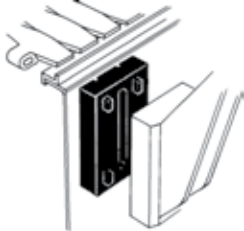
Side mounting brackets are supplied for 1/2" round shafts.

Material : knob in reinforced polyamide, hexagonal insert (for 3/4" wrench) in nickel plated brass, washer and eyebolt in stainless AISI 304. Base is supplied in black reinforced polyamide.

Part # 617-613562

Accessories:

Spacer #142, see page #34 for details

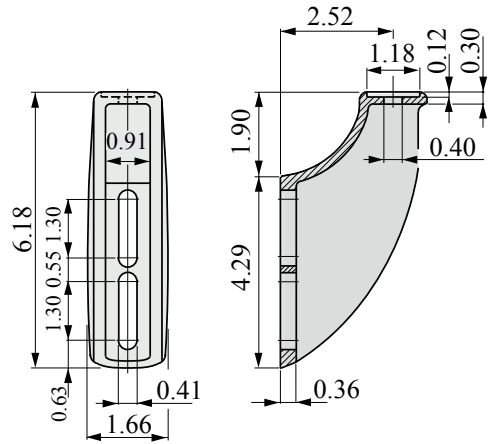


Side Mounting Bracket

Part # 632-647142



Side mounting brackets are supplied in black reinforced polyamide.



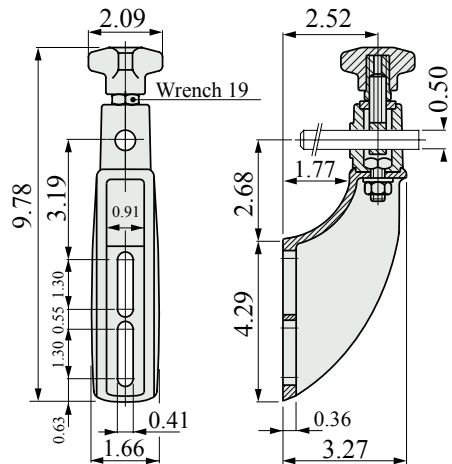
Side Mounting Bracket

Part # 637-648372



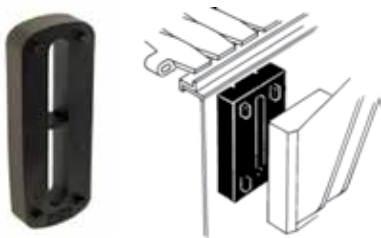
Side mounting brackets are supplied for 1/2" round shafts.

Material : knob in reinforced polyamide, hexagonal insert (for 3/4" wrench) in nickel plated brass, washer and eyebolt in stainless AISI 304. Base is supplied in black reinforced polyamide.



ACCESSORIES

Spacer #725-688762



See page 35 for details.

Spacer #227-61931



See page 34 for details.

Eyebolt #65524 (1/2")



1/2" bore, M10 thread, Stainless Steel.

Washer # 64184



Stainless Steel, fits base bracket or swivel head.

Swivel Head # 256



Available in 1/2" or 5/8", see page 35.

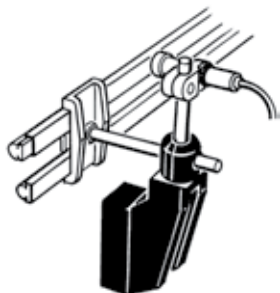
Knob # 182-54911



See page 35 for details.

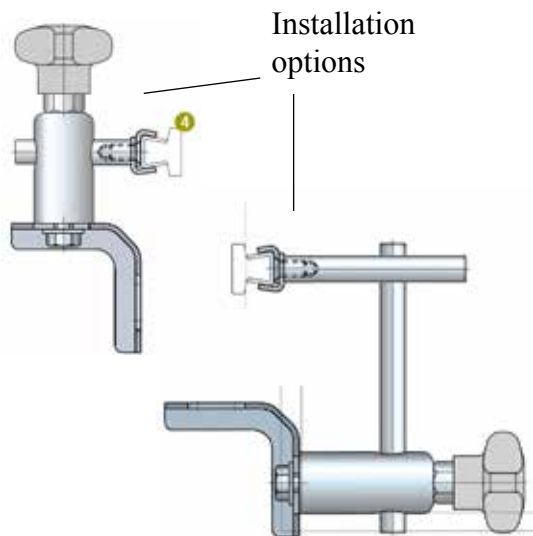
Adjustable Head

Application Example

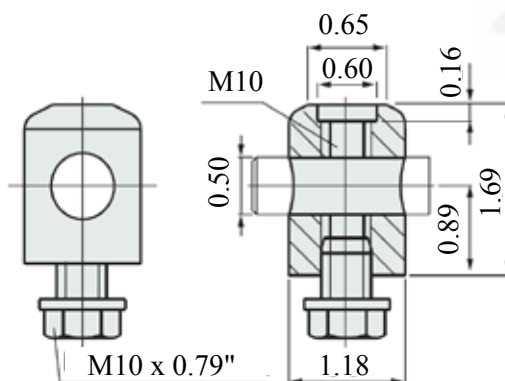


Swivel head #192, supplied in stainless steel AISI 303, with stainless steel hardware. Bored to fit 1/2" rods. Can be used with knob 185-53081. Can be installed on top of bracket 632-647142 or 648-653112.

Part # 192-608683



Installation options



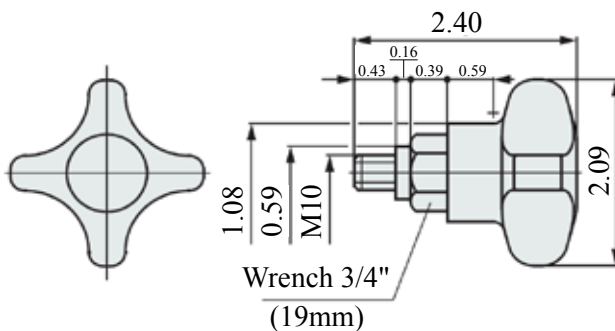
Knob

Part # 185-53081

Hand knob
Supplied in black polyamide with spindle in nickel plated brass.
Can be used with head #192.



Parts 192-608683 and 185-53081 shown.

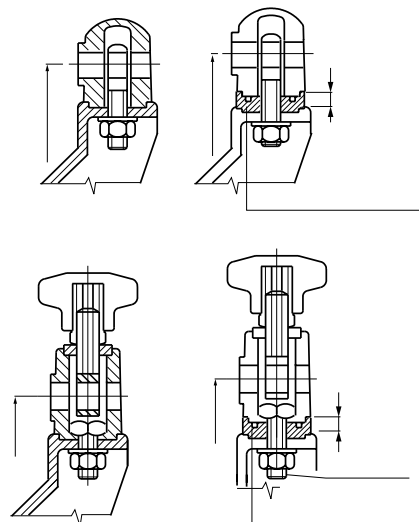
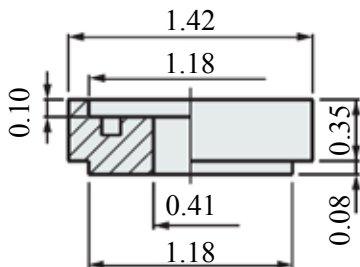


Spacers

Part # 227-61931

Material : Black polyamide

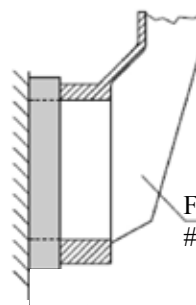
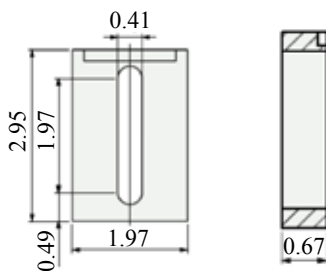
For use with brackets #637, #648 and heads #255 and #256



Different hardware required : M10 x 40mm

Part # 61-50870

Material : Black polyamide



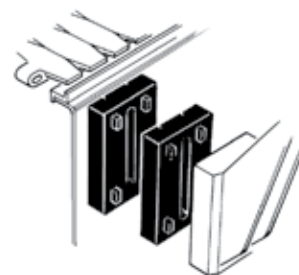
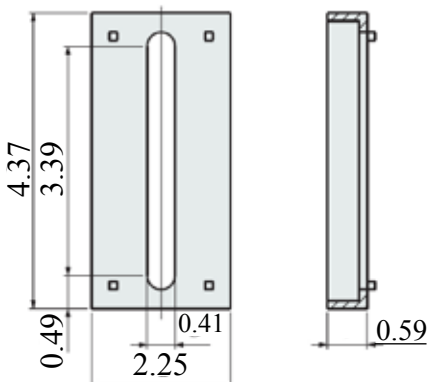
For use with bracket #107, #648 and 652

New design
Now full shape, 0.67" thick replacing the 0.59" version now obsolete.

Part # 142-65870

Material : Black polyamide

For use with brackets #599 and #617

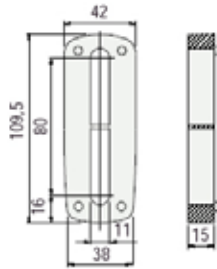
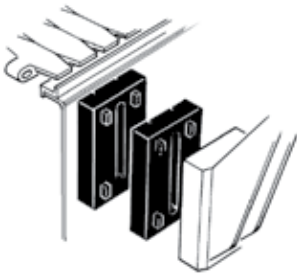


Accessories

Part # **725-688762**

For use with brackets #632, 637

Spacer
Supplied in black polyamide



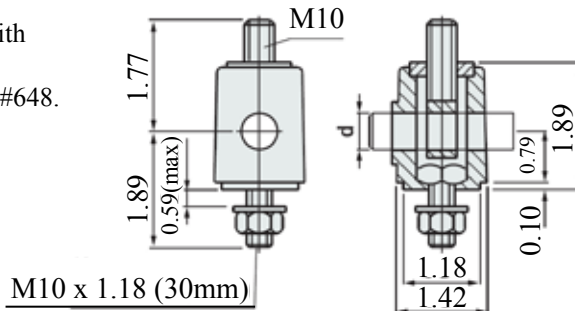
All dimension shown are metric



Swivel head

Supplied in black polyamide with stainless steel hardware.
Can be used with base #632 or #648.

Available
1/2" or 5/8"



M10 x 1.18 (30mm)

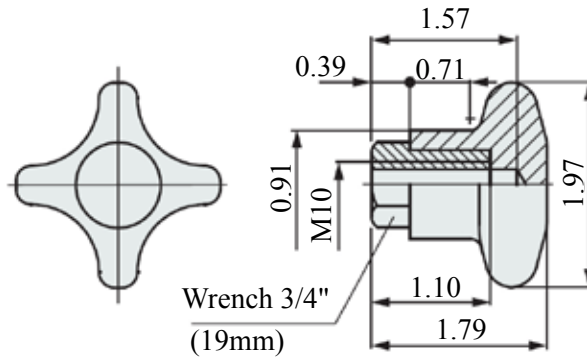
Code	d
256-64561	1/2"
256-64581	5/8"



Hand knob

Supplied in black polyamide with nickel plated brass insert.
Can be used with head #256.

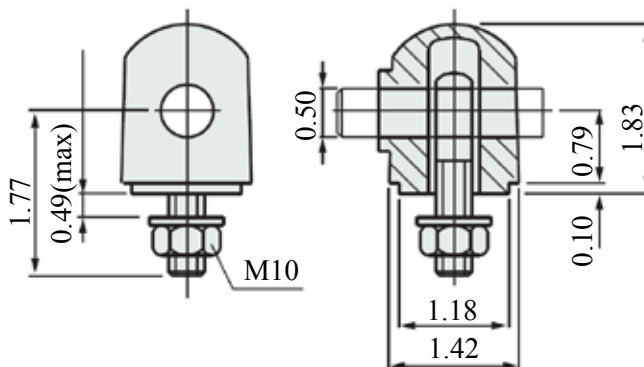
Part # **182-54911**



Swivel head

Supplied in black polyamide with stainless steel hardware, with 1/2" bore.
Can be used with base #632 or 648.

Part # **255-685281**



Ratchet Handle

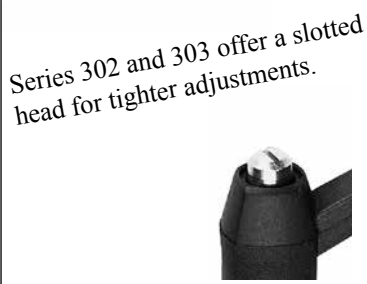
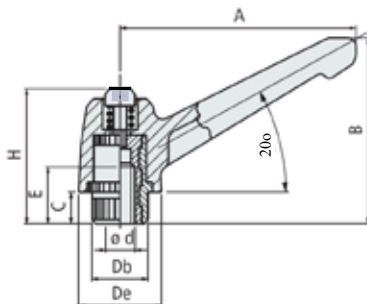
•Glass-fiber reinforced polyamide based (PA) technopolymer lever body.

(Resistant to solvents, oils, grease and other chemical agents.)

•Black standard color with matte finish.

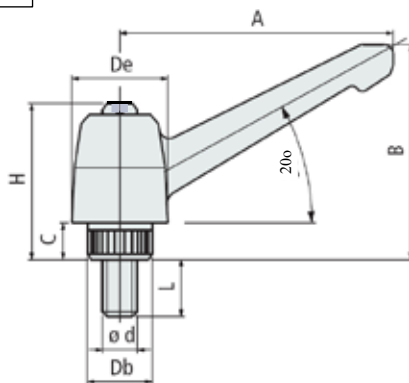
Particularly suitable when lever turning angle is limited owing to lack of space.

To adjust during clamping, lift lever to disengage clamping device toothing and bring it back to start position. By releasing the lever the return spring automatically engages toothing once again.



Series 302 and 303 offer a slotted head for tighter adjustments.

Stainless Steel or Zinc Plated Thread.



Brass Insert

Code	Thread	A
141141	M6	1.65
142121	M10	3.15
941141	1/4-20	1.65
302-60852	5/16-18	2.17
941421	5/16-18	2.48
942111	5/16-18	3.15
942121	3/8-16	3.15

Stainless Steel Insert

Code	Thread	A
141191	M6	1.65
141425	M8	2.48
941191	1/4-20	1.65
941431	5/16-18	2.48
942151	3/8-16	3.15

For complete dimension information, please contact CRS/VAMIC.

Zinc Plated Thread

Code	Thread	A
141501	M8 x 16mm	2.48
941331	1/4-20 x 1	1.65
941341	1/4-20 x 1-1/2	1.65
941521	5/16-18 x 1	2.48
942221	3/8-16 x 1-1/4	3.15
942231	3/8-16 x 1-1/2	3.15

Stainless Steel Thread

Code	Thread	A
303-60922	M6 x 20mm	1.57
303-60872	M8 x 25mm	2.17
624MB8X40	M8 x 40mm	2.48
303-60942	M10 x 30mm	3.11
303-60912	1/4-20 x 3/4	1.57
941365	1/4-20 x 3/4	1.65
941611	5/16-18 x 3/4	2.48
941615	5/16-18 x 1	2.48
303-60932	3/8-16 x 1.2	3.11

For complete dimension information, please contact CRS/VAMIC.

Other sizes available, contact us for details.

Hand Knob



•High-impact strength polypropylene based (PP) technopolymer.

Resistant to solvents, oils, grease and other chemical agents.

The special type of technopolymer used and the matte finish make this knob elegant. The operator obtains a strong clamping action without any discomfort due to its ergonomic design: five lobes, blended radius and well proportioned rim height assure a natural, safe and comfortable grip.

Threaded stem in zinc-plated steel.

Code	Thread x l	D
969854	1/4-20 x 1"	1.26
969913	5/16-18 x 1"	1.57
969971	3/8-16 x 1"	1.97
970032	1/2-13 x 1-1/2"	2.48

Complete details and dimensions available on request. Metric version also available.



Insert is in brass with tapped blind hole. Center cap can be removed for thru bore installation.

Code	Thread	D
969893	1/4-20	1.57
969953	5/16-18	1.97
969954	3/8-16	1.97
970013	3/8-16	2.48
970014	1/2-13	2.48

Complete details and dimensions available on request. Metric version also available.



•Phenolic based (PF) Duroplast.

Resistant to solvents, oils, grease and other chemical agents.

The five-lobed shape (ELESA design), that offers the fingers a secure grip, is in fact solid and thus there are no cavities where unhealthy residues may deposit.

The metal part, built in AISI 303 stainless steel, makes this knob suitable for use on medical machines, equipment for the food and pharmaceutical industry and wherever hygienic, climatic and environmental factors or laws make it mandatory to use corrosion resistant materials.

Threaded stem in stainless steel AISI 303.

Code	Thread x l	D
966263	1/4-20 x 3/4"	1.26
966385	5/16-18 x 1-1/4"	1.57
966496	3/8-16 x 1"	1.97
966498	3/8-16 x 1-1/2"	1.97

Complete details and dimensions available on request. Metric version also available.



Insert is in stainless steel AISI 303.

Code	Thread	D
966226	1/4-20	1.26
966346	5/16-18	1.57
966476	3/8-16	1.97

Complete details and dimensions available on request.



Handwheels and Crank Handles



VRTP+I

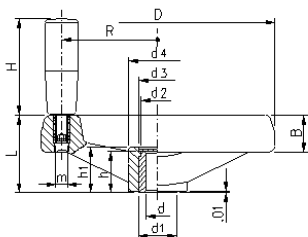
Two-spoke handwheels with side handle

- High-impact strength polypropylene-based technopolymer (resistant to solvents, oils, grease and other chemical agents.)
- Black standard color with matte finish
- Black oxide steel boss with reamed bore
- Self-adhesive matte anodized aluminium front plate for fitting after handwheel assembly.
- Technopolymer revolving handle

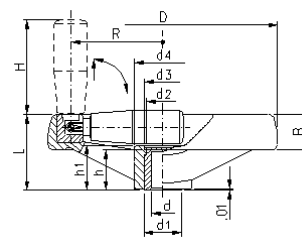
VRTP+IR

Two-spoke handwheels with fold-away handle

- High-impact strength polypropylene-based technopolymer (resistant to solvents, oils, grease and other chemical agents.)
- Black standard color with matte finish
- Black oxide steel boss with reamed bore
- Self-adhesive matte anodized aluminium front plate for fitting after handwheel assembly.
- Technopolymer fold-away handle

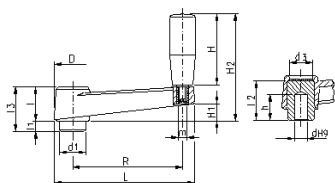


Style VRTP + I
With revolving side handle



Style VRTP + IR
With fold-away revolving side handle

Code #		Main dimensions								Bore	
VRTP + I	VRTP + IR	D	L	B	d1	d2	d3	d4	h1	d	h
978521	978531	3.90	1.46	0.79	0.71	0.63	0.67	0.98	0.75	0.375	0.67
978621	978631	4.88	1.73	0.87	0.87	0.79	0.83	1.22	0.98	0.375	0.87
978721	978731	6.30	2.01	0.98	1.02	0.94	0.98	1.57	1.14	0.500	1.06
978821	978831	7.87	2.40	1.10	1.18	1.10	1.22	1.97	1.42	0.625	1.34
978921	978931	9.84	2.76	1.26	1.38	1.30	1.34	2.32	1.57	0.625	1.50
978961	978971	11.73	3.07	1.42	1.57	1.46	1.65	2.60	1.81	0.750	1.69



Crank Handle

- Glass-fiber reinforced polyamide based technopolymer
- Black standard color with matte finish
- Black oxide steel hub with pilot blind hole
- Self-adhesive matte anodized aluminium front plate for fitting after crank handle assembly.
- Polypropylene based revolving handle.

Code #	Main dimensions											Bore	
	R	L	D	d1	d3	I	I1	I2	I3	H1	H2	d	h
44091	2.52	3.39	1.06	0.71	0.63	0.91	0.39	1.14	1.30	0.39	2.48	0.236	0.71
44191	3.15	4.13	1.18	0.87	0.67	1.02	0.39	1.26	1.42	0.51	2.99	0.236	1.02
44291	3.94	5.04	1.34	0.94	0.83	1.18	0.39	1.46	1.57	0.59	3.78	0.315	1.10
44391	5.11	6.37	1.57	1.10	0.98	1.37	0.55	1.73	1.93	0.79	4.52	0.394	1.18
44491	6.30	7.80	1.77	1.34	1.06	1.57	0.59	1.93	2.17	0.91	5.12	0.394	1.18

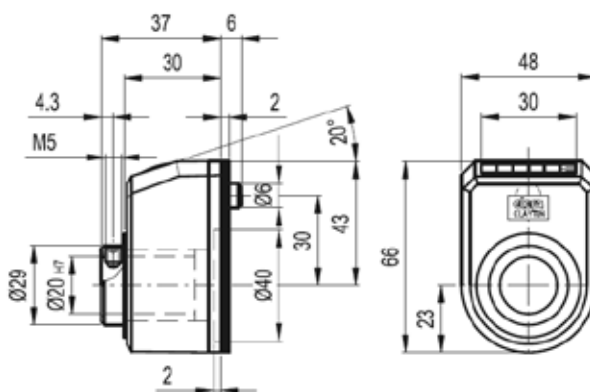
Other styles available, contact us for details.

Position Indicators

Digital Position Indicators direct drive

#DD52-R New size

- **Use** : mounted on passing through control spindles in any position, for giving actual reading of the positioning of a machine component.
- **Polyamide-based technopolymer case**, ultrasonically welded to its support to prevent dust penetration. Standard color orange or grey. Glossy finish. Resistant to solvents, oils, grease and other chemical agents.
- **Five figure digital counter**, with one, two or three red decimals. The magnifying window, molded over the dustproof case improves the readability.
- **Black oxide steel insert** with standard reamed hole.
- **Location rear pin** for positioning.
- **Maximum working temperature** : 175oF (80oC)



Standard bore on indicator is 3/4".
- Reducing bushing available for the following sizes: 1/4, 3/8, 1/2, 5/8.

- Example how to order :
DD52R-FR-0001.0-S-AR-3/8"

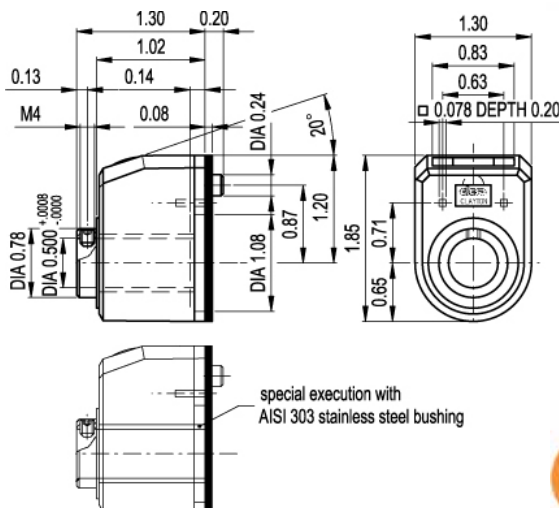
- Accessory available :
Spacer CE.83950, for DD52 replacements.

Indicator configuration options					
Type	Digits position	Reading after one revolution	Direction of rotation	Color	Bore size
DD52R	AN	0001.0	D clockwise	AR orange	1/4
	AR				3/8
	FN	001.00	S counter-clockwise	GR grey	1/2
	FR				5/8
					3/4

Digital Position Indicators direct drive

#DD51 Mini 4 digits

- **Use** : mounted on passing through control spindles in any position, for giving actual reading of the positioning of a machine component.
- **Polyamide-based technopolymer case**, ultrasonically welded to its support to prevent dust penetration. Standard color orange or grey. Glossy finish. Resistant to solvents, oils, grease and other chemical agents.
- **Four figure digital counter**, with one or two red decimals. The magnifying window, molded over the dustproof case improves the readability.
- **Black oxide steel insert** with standard reamed hole.
- **Front sealing rubber NBR gasket** between case and steel insert.
- **Location rear pin** for positioning.
- **Maximum working temperature** : 175oF (80oC)



Standard bore on indicator is 1/2".
- Reducing bushing available for the following sizes : 1/4, 3/8.

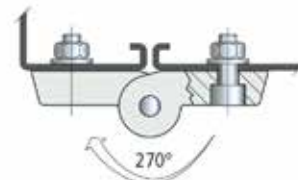
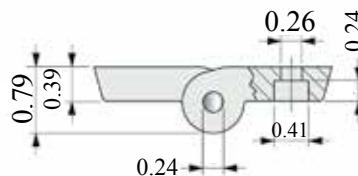
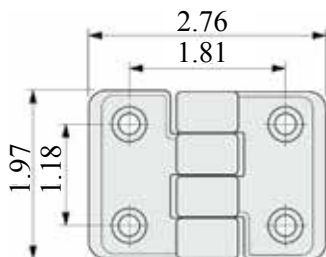
- Example how to order :
DD51-AR-001.0-S-AR-1/2"

Indicator configuration options					
Type	Digits position	Reading after one revolution	Direction of rotation	Color	Bore size
DD51	AN	001.0	D clockwise	AR orange	1/4
	AR				3/8
	FN	01.00	S counter-clockwise	GR grey	1/2
	FR				

Hinges

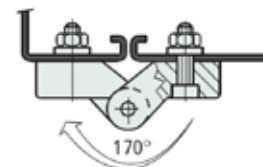
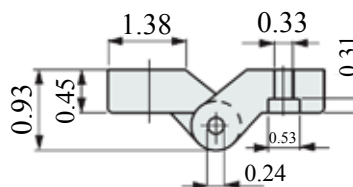
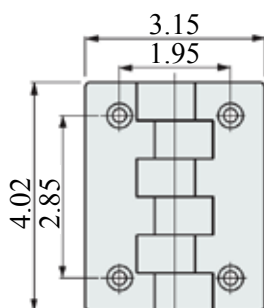
Part # 337-67023

Black Polyamide



Part # 260-66546

Black Polyamide

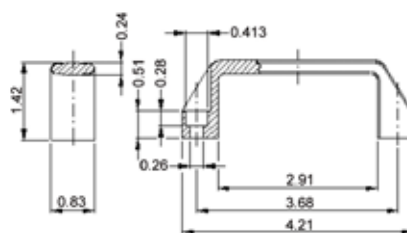


Pull Handles

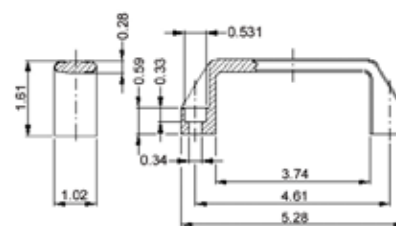
Black Polyamide with open ends



Part # 37001



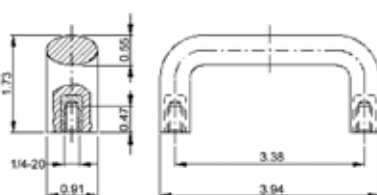
Part # 37101



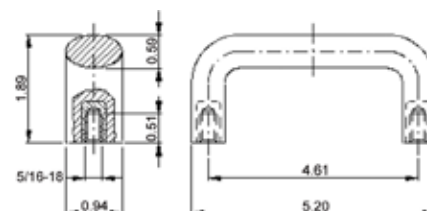
Black Polyamide with brass threaded inserts



Part # 937303



Part # 937313



Other sizes available, contact us for details.

Modular Belts



Candy



Fresh Produce



Meat



Bakery



Industrial



Bottling



Packaging



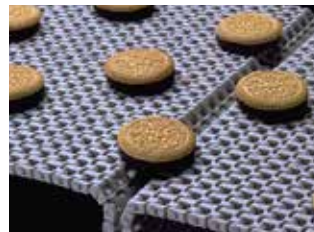
Beverage



Drainage



Heat Shrink Tunnel



Tight Transfer



Incline



Flat or grip surface



Straight or Radius



Spiral Belts



Rubber Grip-Top



Side Transfer Belts



Exceptional rod retention system



Excellent sprocket engagement



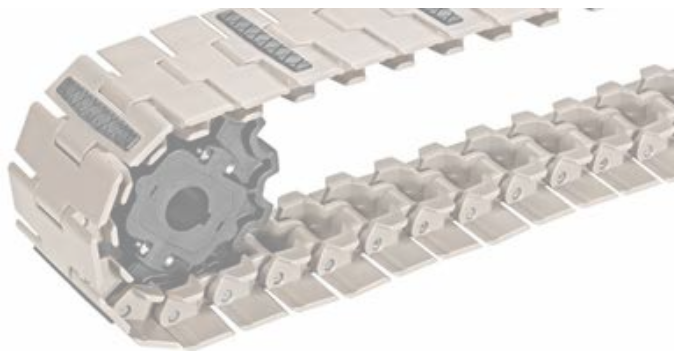
CAD Drawings available in 2D or 3D formats

CRS/VAMIC is your Canadian source of supply for modular belts. Our extensive inventory allows us to assemble application specific product for quick and efficient delivery. Over 100 years of combined conveyor knowledge makes CRS/VAMIC your source for conveyor solutions.



Chains and Accessories

CRS/VAMIC is your source of supply for all types of conveyor chains and accessories. Our diverse inventory can supply a wide range of industries, including: food, beverage, packaging, and industrial processing applications.



Applications



Carton Containers



Bottling



Accumulation



Packaging



Case Conveyor

Chains



Low Friction Acetal chains are offered in a variety of widths and styles for straight or radius conveyors.



For bottling and packaging, with or without lubrication, for straight or magnetic curves.



Double hinge chains for heavy duty work loads.



Low back pressure chains with Roller top for accumulation applications for straight or radius conveyors.



Grip top surface chains with molded over rubber to help carry product up inclined conveyors.



Carbon steel and stainless chains for straight or radius applications.



Specialized chains with rubber molded grippers for vertical applications.



A wide variety of chains for light or heavy duty applications such as cage receiving, pallet conveyor, case carrier in straight or radius applications, available with numerous accessories.



Many other chain styles available to meet your requirements.

Accessories

Attachments



Sprockets



Tracks



Other accessories

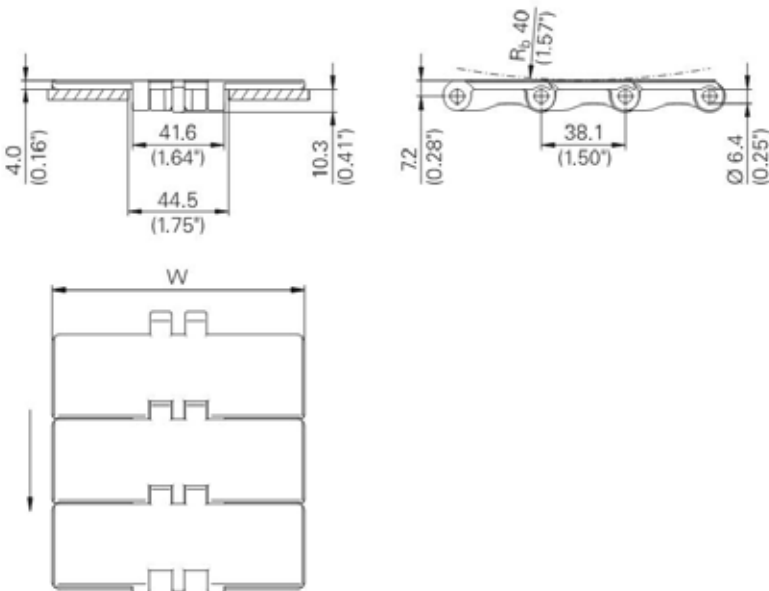


Conveyor Chains

Slat top 820 (straight)

Description

Slat Top 820 is a standard duty straight running plastic chain. Top plate thickness 4mm. Applications include packaging and bottling lines. Use 820 series for side transfer with 770, 880 or 890 series radius chains.



Code	Width
820 LF 325	3-1/4
820 LF 400	4
820 LF 450	4-1/2
820 LF 600	6
820 LF 750	7-1/2

Standard material is brown low friction acetal with stainless steel rods. Other materials, colors or pin materials available on request.

See page 48 for sprocket information



See page 49 for idler information



See page 53 to 55 for other accessories



Conveyor Chains

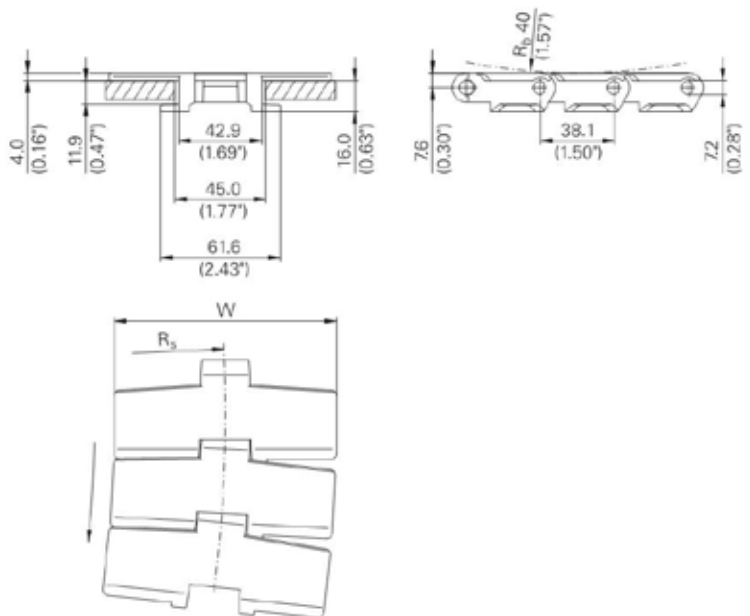


Slat top 880T (radius)

Description

Slat Top 880T is a tabbed standard duty radius and straight running plastic chain. Top plate thickness 4mm. Applications include general conveyance, packaging and empty container handling. Use 880T series for side transfer with 820 series straight chains.

Code	Width
880TAB LF 325	3-1/4
880TAB LF 450	4-1/2
880TAB LF 750	7-1/2



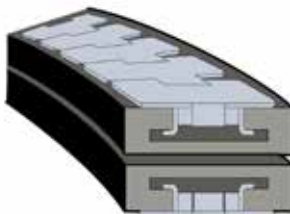
Standard material is brown low friction acetal with stainless steel rods. Other materials, colors or pin materials available on request.

Standard style offered is Tab. Bevel style also offered on request.

See page 51 for sprocket information



See page 51 for Corner Track information



See page 53 to 57 for other accessories

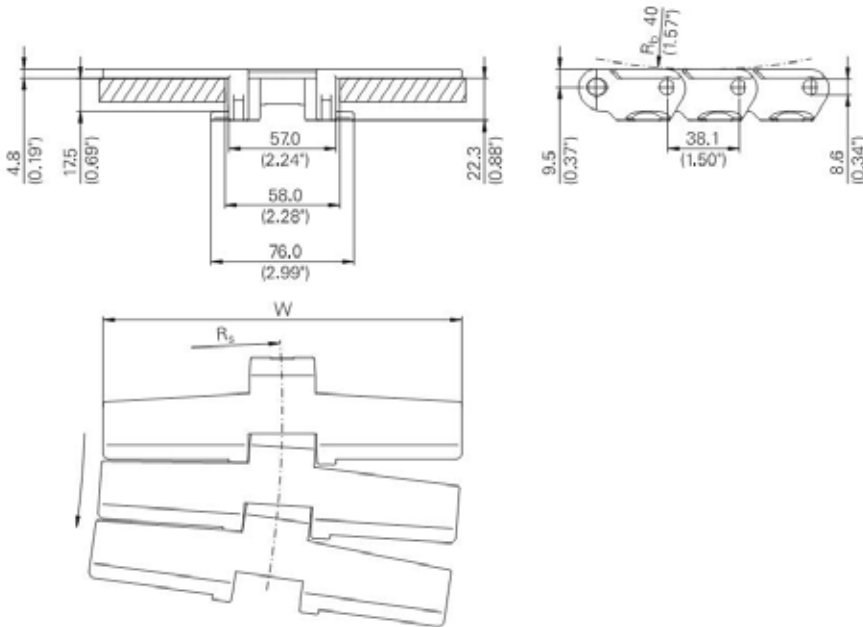


Conveyor Chains

Slat top 882T (radius)

Description

Slat Top 882T is a tabbed heavy duty radius and straight running plastic chain. Top plate thickness 4.8mm. Applications include general conveyance, packaging and bottling. Use 882T series for side transfer with 821 series straight chains.



Code	Width
882TAB LF 450	4-1/2
882TAB LF 750	7-1/2
882TAB LF 1000	10
882TAB LF 1200	12
882TAB LF 1600	16

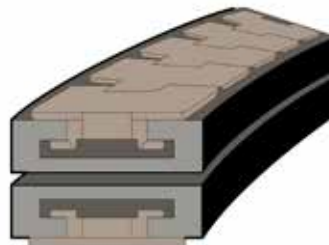
Standard material is brown low friction acetal with stainless steel rods. Other materials, colors or pin materials available on request.

Standard style offered is Tab. Bevel style also offered on request.

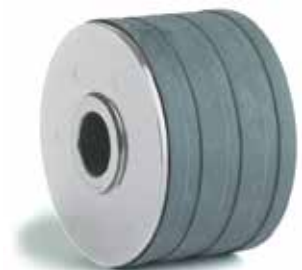
See page 52 for sprocket information



See page 52 for Corner Track information



See page 53 to 57 for other accessories



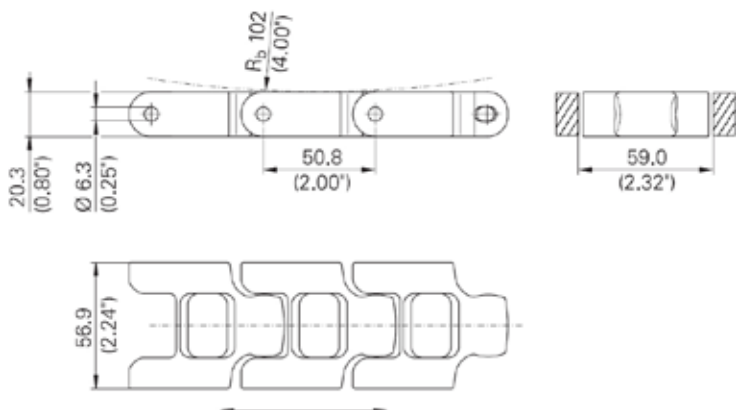
Conveyor Chains

Straight Case conveyor chains

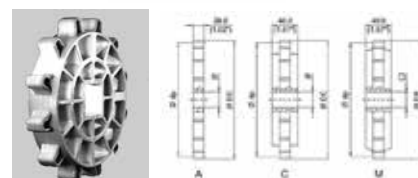
N12000-S



Chain offered in Acetal (POM) or Nylon.



Machined or Molded
Sprockets available



Chain guides for Straight
or Radius Conveyors
(see page 17)

N92000S

N92000R

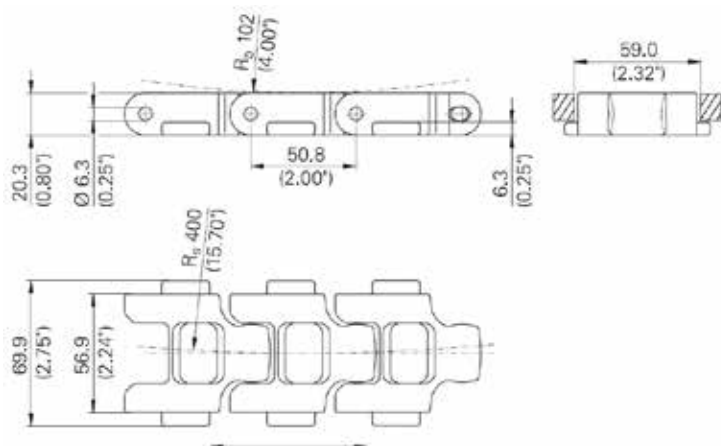


Radius Case conveyor chains

N12000-R



Chain offered in Acetal (POM) or Nylon.



Chain attachment
and accessories

N12000-HRP



N12000K2



N12000K1



Chain Accessories available - Inquire at www.crsvamic.ca for more information

Special Application Chains

Bottling Chain C1061M series



Description

Slat top C1061M is a 1" pitch radius and straight running chain in the width 3.3" (83.8mm). Top plate thickness 8.7mm. The chain will be held down in the curve by a magnetic corner track, that will interact with the magnetic steel pin in the chain. Use C1061M for side transfer with the modular belt types M2420 - M2470 flat top.

Chain with Grip Top Surface

LF882Tab-TG- With Grip top surface



Description

882TG is a heavy duty GripTop radius and straight running chain. Applications include incline/decline applications in which higher friction is required.

Sizes available

882TG is available with grip top every row in widths of 4-1/2" and 7-1/2". Other chain styles, sizes and spacing between grip top also available on request.



Grip top chains

1873



Replacement Grippers
(available in Black / White EPDM)



D - Style



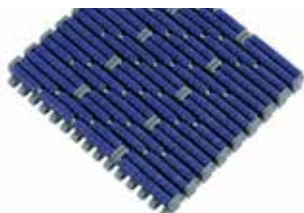
3 Finger - Style



Soft Touch - Style

Chain with Roller Top Surface

M2620-LBP



Description

M2620-LBP is assembled with low noise accumulation rollers. The widths are modular and have increments of 85mm (3.35", 6.7" etc..).

LBP-821



Description

LBP-821 is a straight running roller top chain with low noise accumulation rollers. The widths available are : 7.5", 10" and 12".

LBP882Tab

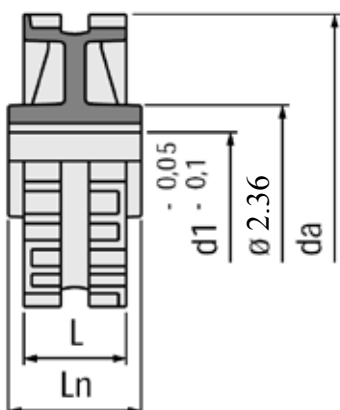


Description

LBP882-TAB is a sideflexing chain with low noise accumulation rollers, for curve applications. The widths available are : 7.5", 10" and 12".

Split Sprocket #820

Material: Sprocket in reinforced polyamide (black).
Bolts in stainless steel AISI 304, nuts in nickel plated brass.



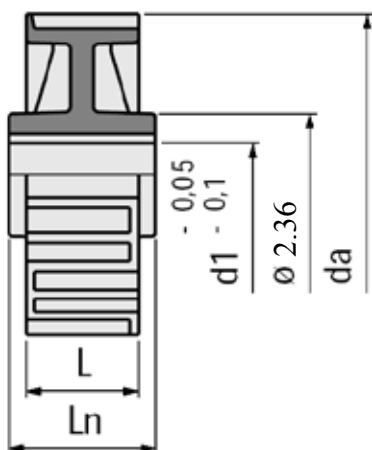
Fits chains #820, 831, 810, 812, 815



Part #	# Teeth	da	L	Ln	Bore d1
820-611102	19	4.62	1.58	1.58	Machined, stockbore
820-664391	21	5.09	2.01	2.05	1
820-664411	21	5.09	2.01	2.05	1-1/4
820-662741	23	5.59	2.01	2.05	1
820-662761	23	5.59	2.01	2.05	1-1/4
820-667331	25	6.07	1.58	1.58	Machined, stockbore
820-665611	25	6.07	2.30	2.13	1
820-665631	25	6.07	2.30	2.13	1-1/4
820-697091	25	6.07	2.30	2.13	1-1/2

Split Sprocket #810, 812, 815

Material: Sprocket in reinforced polyamide (black).
Bolts in stainless steel AISI 304, nuts in nickel plated brass.



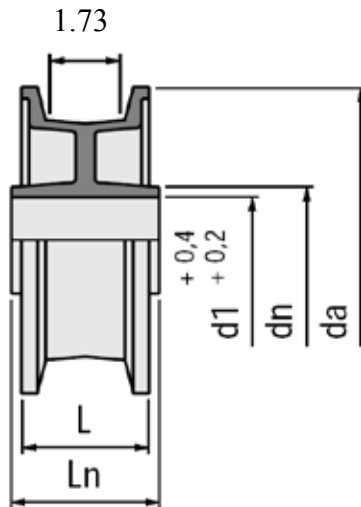
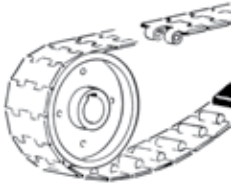
Fits chains #810, 812, 815, 881M



Part #	# Teeth	da	L	Ln	Bore d1
815-600000	19	4.62	1.58	1.58	stockbore
815-663931	21	5.09	2.01	2.05	1
815-663991	21	5.09	2.01	2.05	1-1/4
815-665411	25	6.07	2.30	2.13	1
815-665451	25	6.07	2.30	2.13	1-1/4
815-665491	25	6.07	2.30	2.13	1-1/2

Material: Idler in reinforced polyamide (black).

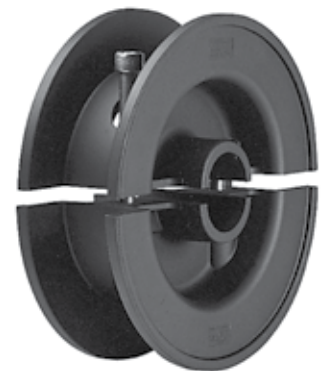
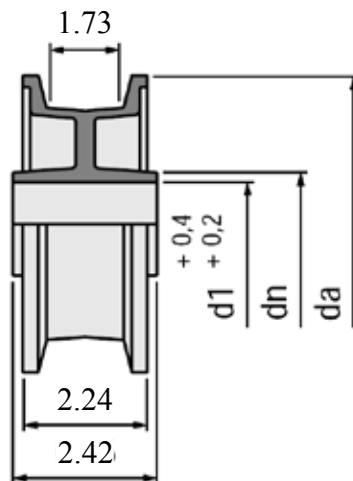
Solid Idlers #810, 812, 815, 820



Part #	# Teeth	da	dn	L	Ln	Bore d1
820-619132	21	5.12	1.40	2.36	2.42	1
820-688801	21	5.12	1.64	2.36	2.42	1-1/4
820-619142	25	6.08	1.40	2.36	2.42	1
820-661761	25	6.08	1.64	2.36	2.42	1-1/4

Material: Idler in reinforced polyamide (black).
Bolts in stainless steel AISI 304, nuts in nickel plated brass.

Split Idlers #810, 812, 815, 820



Part #	# Teeth	da	dn	Bore d1
820-619152	21	5.12	1.58	1
820-619162	21	5.12	1.97	1-1/4
820-619172	25	6.08	1.58	1
820-655612	25	6.08	1.97	1-1/4
820-604386	25	6.08	1.97	1-1/2

Multi-Hub Split Sprocket

CRS/VAMIC now offers a complete line of Multi-Hub sprockets, with interchangeable hubs in metric or imperial bore sizes.



Series 820 Sprocket-Rims

Fits chains 810, 812, 815, 820 and 831.
Offered in the following diameters :
21 teeth - 5.09" Pitch diameter
23 teeth - 5.56" Pitch diameter
25 teeth - 6.03" Pitch diameter



Series 880 Sprocket-Rims

Fits chains 879, 880 and 890.
Offered in the following diameters :
10 teeth - 4.85" Pitch diameter
12 teeth - 5.80" Pitch diameter



Series 882 Sprocket-Rims

Fits chain 882.
Offered in the following diameter :
12 teeth - 5.80" Pitch diameter



Series 881 Sprocket-Rims

Fits chain 881.
Offered in the following diameter :
25 teeth - 6.03" Pitch diameter



Series 1060 Sprocket-Rims

Fits chains 770 and C1061.
Offered in the following diameters :
16 teeth - 5.11" Pitch diameter
18 teeth - 5.75" Pitch diameter



Series 820 Idler-Rims

Fits chains 810, 812, 815, 820 and 831.
Offered in the following diameters :
21 teeth - 5.09" Pitch diameter
23 teeth - 5.56" Pitch diameter
25 teeth - 6.03" Pitch diameter

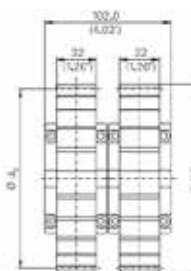


Split Multi-Hub Inserts

Fits all of the above Rims..
Offered in the bore sizes, with or without keyway :
Metric : 25, 30, 35, 40mm round
Imperial : 1, 1.18, 1.25, 1.43, 1.5 round, 1.5 square.



Material : Molded black polyamide with stainless steel hardware. Split hub inserts sold separately for split rim sprockets.



Use two sprockets 881 side-by-side to drive a 800 or 821 chain series.

Description

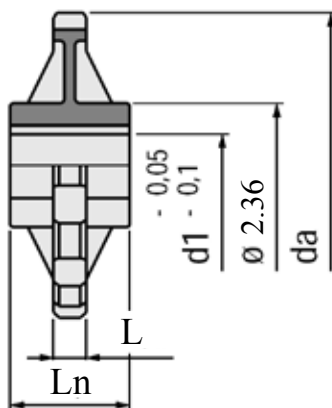
Habachain offers a new type of modular split sprockets and split idlers called Multi-Hub. Interchangeable hub inserts in various diameters with or without keyway and sprocket, or idler rims, reduce the inventory needed by customers. The fabrication accuracy ensures long lifetimes and optimized power transmission.

Literature and specifications available on request. Contact CRS/VAMIC inc.

Split Sprocket #880, 880-Tab

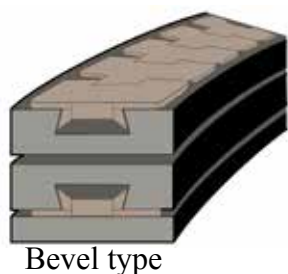
Material: Sprocket in reinforced polyamide (black).
Bolts in stainless steel AISI 304, nuts in nickel plated brass.

Chain #880-TAB

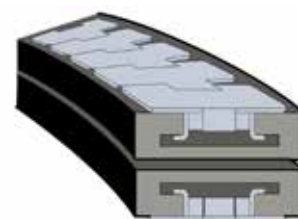
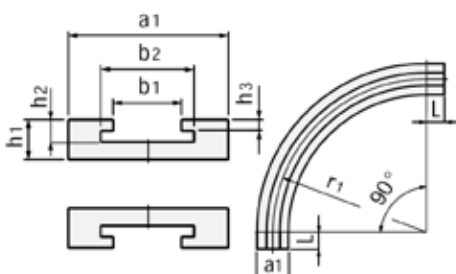


Part #	# Teeth	da	L	Ln	Bore d1
880-662171	10	4.82	0.625	2.30	stockbore
880-663201	12	5.80	0.625	2.30	1
880-663241	12	5.80	0.625	2.30	1-1/4
880-617553	12	5.80	0.625	2.30	1-1/2

Corner Tracks



Bevel type



TAB type

Materials

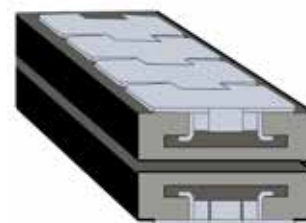
- **Black repro uhmw** : economical, wear resistant, Coef. 0.15/0.20
 - **Nylon MD** : high speed, long conveyors, heavy loads, Coef. 0.20
 - **Dry Lube** : wear resistant, no lubrication required, Coef. 0.10
 - **Oil filled** : Sticky, releases oil with friction, Coef. 0.06/0.12
- Contact CRS/VAMIC for more details.

HOW TO ORDER:

Specify :

- Chain Type and width (a) Ex: #880, 4-1/2
- Style (b) Ex: Tab
- Radius dimension (c) Ex: 24"
- Number of lanes (d) Ex: Double lane
- Angle (e) Ex: 45o
- Material (f) Ex: Black UHMW
- Thickness and width of track (g) Ex: 1" x 10"

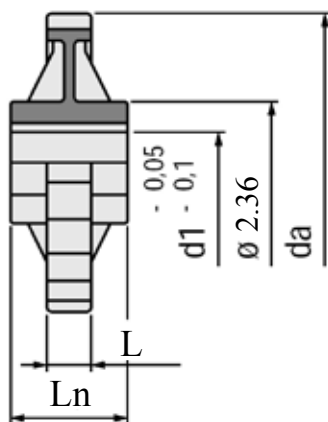
Straight Tracks



Straight tracks are available. Please specify length required.

Split Sprocket #882, 882-Tab

Material: Sprocket in reinforced polyamide (black).
Bolts in stainless steel AISI 304, nuts in nickel plated brass.

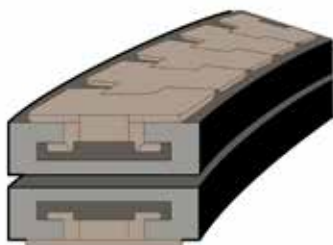


Chain #882-TAB

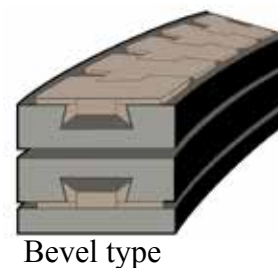
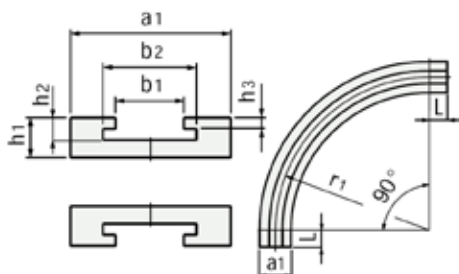


Part #	# Teeth	da	L	Ln	Bore d1
882-663601	12	5.90	0.874	2.30	1
882-619072	12	5.90	0.874	2.30	1-1/4
882-619082	12	5.90	0.874	2.30	1-1/2

Corner Tracks



TAB type

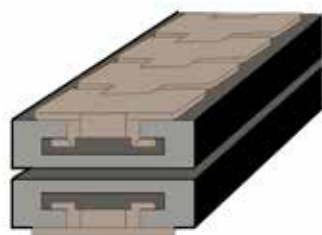


Bevel type

Materials

- **Black repro uhmw** : economical, wear resistant, Coef. 0.15/0.20
 - **Nylon MD** : high speed, long conveyors, heavy loads, Coef. 0.20
 - **Dry Lube** : wear resistant, no lubrication required, Coef. 0.10
 - **Oil filled** : Sticky, releases oil with friction, Coef. 0.06/0.12
- Contact CRS/VAMIC for more details.

Straight Tracks



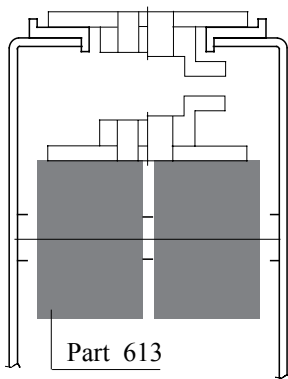
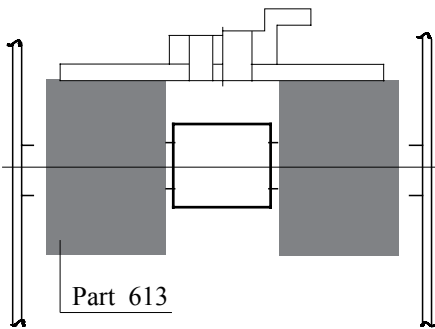
Straight tracks also available. Please specify length required.

HOW TO ORDER:

Specify :

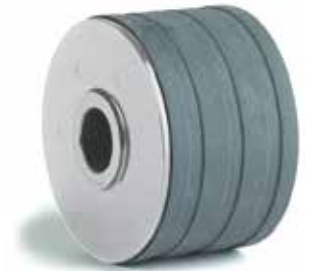
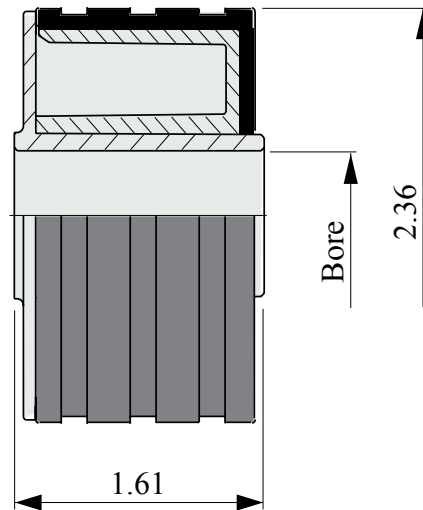
- Chain Type and width (a) Ex: #882, 10"
- Style (b) Ex: Tab
- Radius dimension (c) Ex: 36"
- Number of lanes (d) Ex: Single lane
- Angle (e) Ex: 90°
- Material (f) Ex: Nylatron
- Thickness and width of track (g) Ex: 1-1/4" x 10-1/2"

Single Return Roller



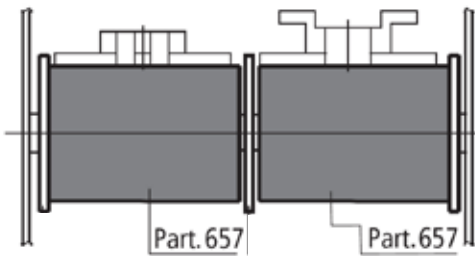
Single roller with rubber surface 2.36" dia.

Code	Bore
613-632472	1/2"
613-635142	3/4"



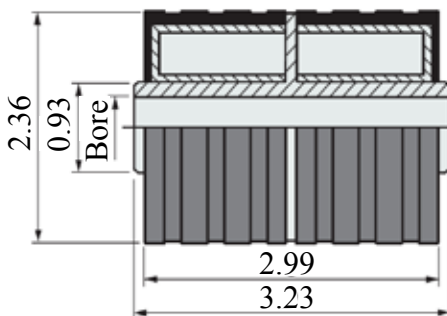
- Characteristics: completely closed design. Less noise even in high speed applications. Hub in acetal for low friction.
- Material : roller in acetal POM (grey). External SBR rubber surface (grey). 60 Shore hardness.

Double Return Roller



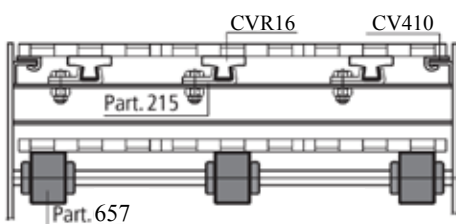
Double roller with rubber surface 2.36" dia.

Code	Bore
657-656982	1/2"
657-657002	5/8"
657-656692	3/4"
657-657022	20mm



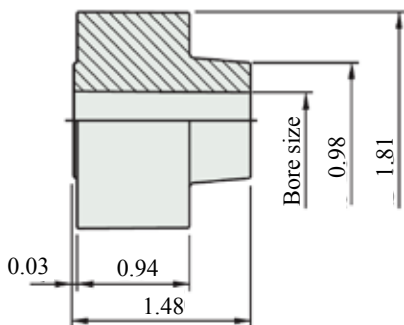
- Characteristics: completely closed design. Less noise even in high speed applications. Hub in acetal for low friction.
- Material : roller in acetal POM (grey). External SBR rubber surface (grey). 60 Shore hardness.

Return rollers can also be used for modular belt applications.



Chain Return Rollers

Part # 728-688912

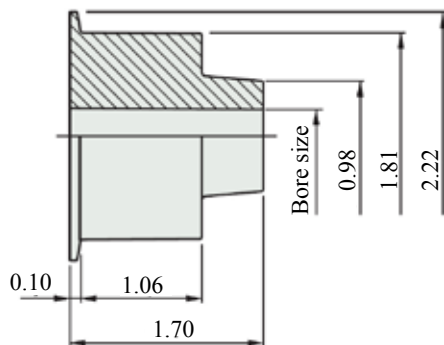
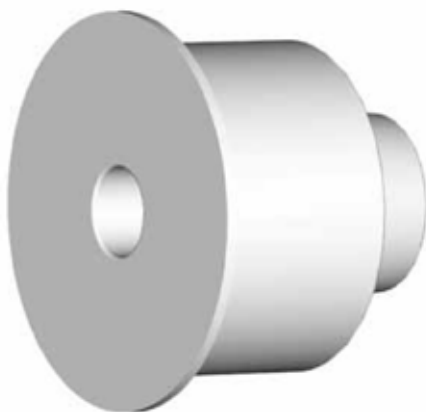


- Closed design for maximum hygiene
 - Material: polyethylene white, ideal for applications in the food industry

728-688912 Bore size: 3/4"
 728-688912-12mm Bore size : 12mm

Can be rebored between 1/2" to 3/4"

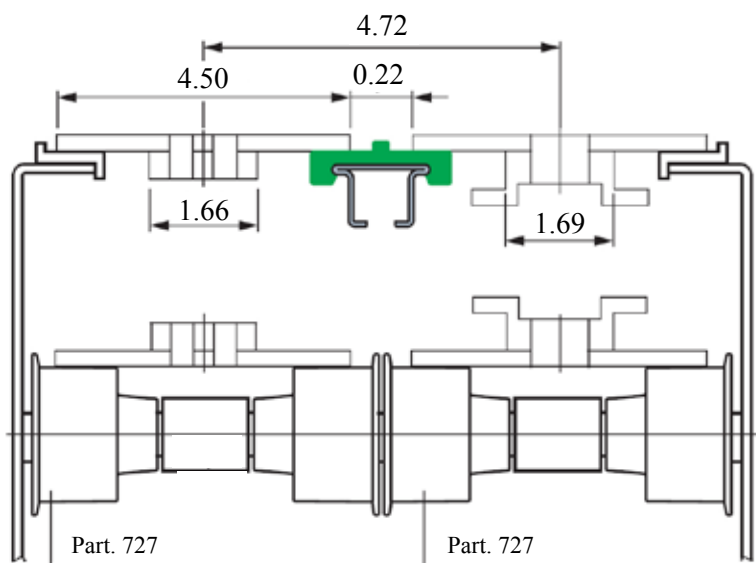
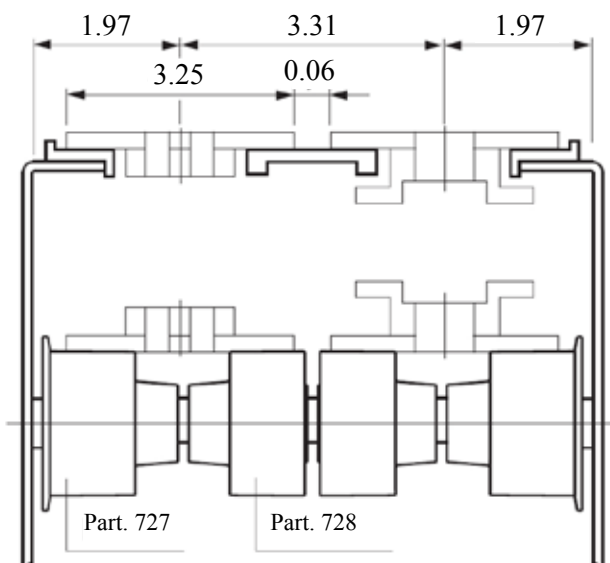
Part # 727-688902



- Closed design for maximum hygiene
 - Material: polyethylene white, ideal for applications in the food industry

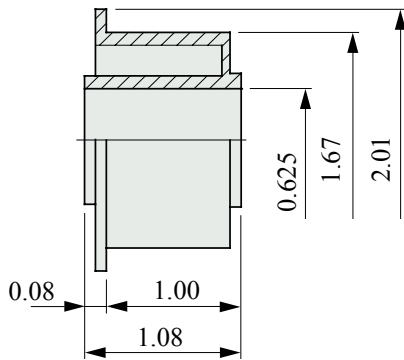
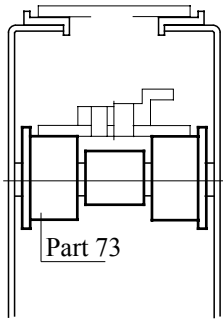
727-688902 Bore size: 3/4"
 727-688902-12mm Bore size : 12mm

Can be rebored between 1/2" to 3/4"



Chain Return Single Rollers

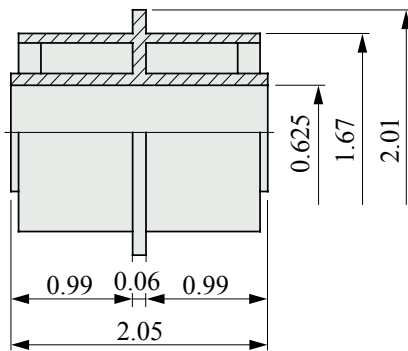
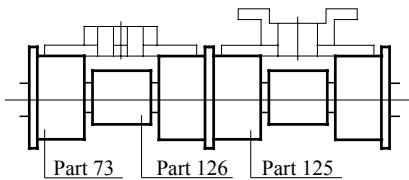
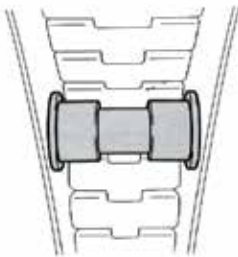
Part # 73-62946



Material : Black PA Polyamide

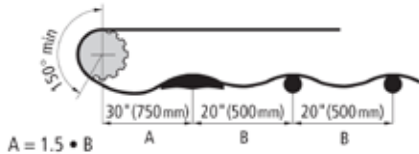
Chain Return Double Rollers

Part # 125-63908



Material : Black PA Polyamide

- Positioning



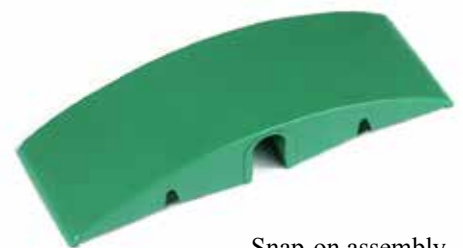
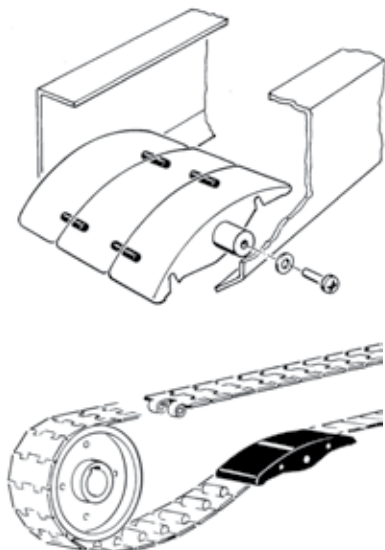
Chain return shoes are installed with flexibility enabling them to adjust with the chain movement.

Material : PE polyethylene (green). Can be used for both plastic and metal chains.

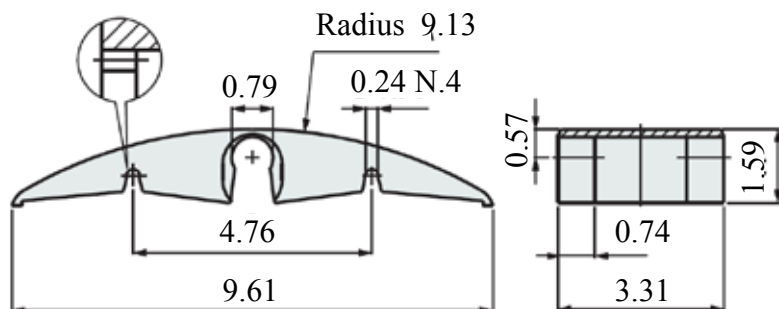
Chain Return Shoe

Part # 153-684231N

Shoes can be fastened together



Snap-on assembly



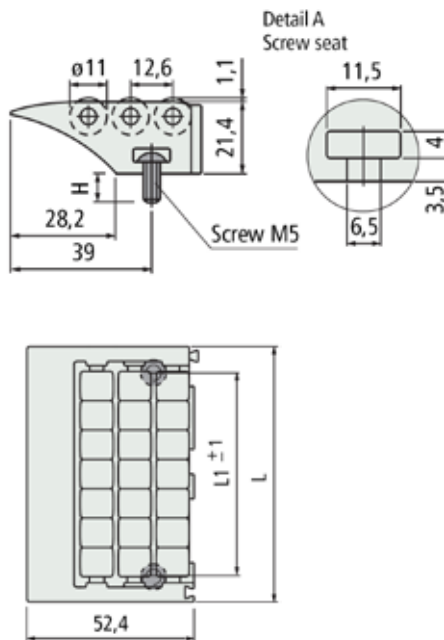
Modular Transfer Roller Plates

All dimensions are metric

End transfer module with lip



85mm shown



Modular transfer roller plates

Versions with 85mm and 115 mm widths

- Lip shaped to reduce the possibility of product pinching
- Easy head to tail and 90° product transfer
- Smooth transfer
- HP™ material

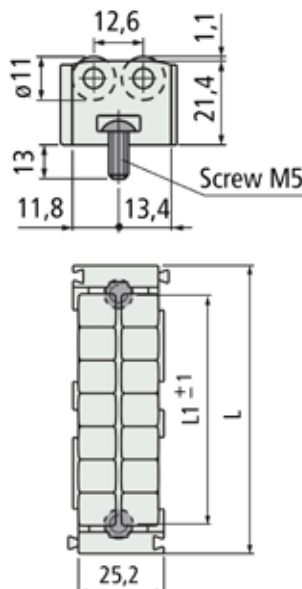
Part #	Width L	Width L1
567-688812	85mm	67.6mm
567-677322	115mm	97mm

- Use :
 - Head to tail transfer see Fig. 1-2.
 - 90° transfer see Fig. 3.
 - Material : frame and rollers in acetal Rex-HP™ (dark grey) very low coefficient of friction. Roller pins and screws in stainless steel AISI 304.
 - Modularity : snap-on assembly with Part #568.
- Screws are M5 x 13mm long

Center module

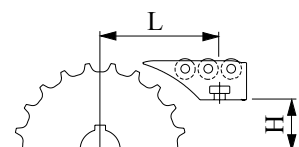


85mm shown



Part #	Width L	Width L1
568-601082	85mm	67.6mm
568-677312	115mm	97mm

- Use :
 - Snap-on assembly with Part #567-569-672.
 - Material : frame and rollers in acetal Rex-HP™ (dark grey) very low coefficient of friction. Roller pins and screws in stainless steel AISI 304.
- Screws are M5 x 13mm long

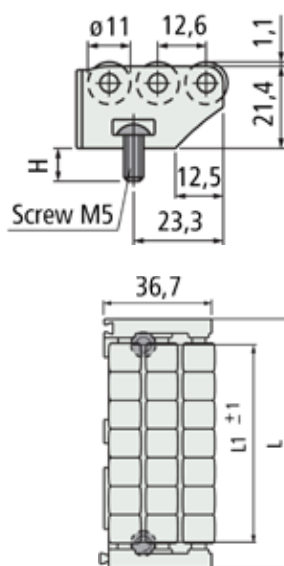


Contact CRS/VAMIC for details on H and L dimensions. These dimensions vary depending on the sprocket size and chain style.

Modular Transfer Roller Plates

All dimensions are metric

Part #	Width L	Width L1
569-601092	85mm	67.6mm
569-677332	115mm	97mm



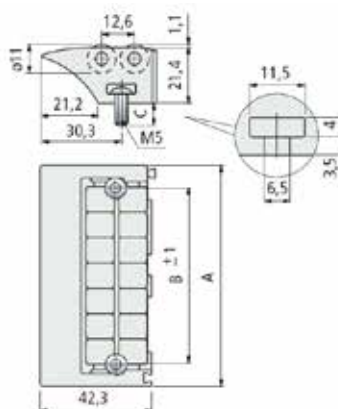
End transfer module



85mm shown

- Use :
- Head to tail transfer see Fig. 1-2.
- 90° transfer see Fig. 3.
- Material : frame and rollers in acetal Rex-HP™ (dark grey) very low coefficient of friction. Roller pins and screws in stainless steel AISI 304.
- Modularity : snap-on assembly with Part #568. Screws are M5 x 13mm long

Part #	Width A	Width B
672-675582	85mm	67.6mm
672-675592	115mm	97mm



End transfer module with lip



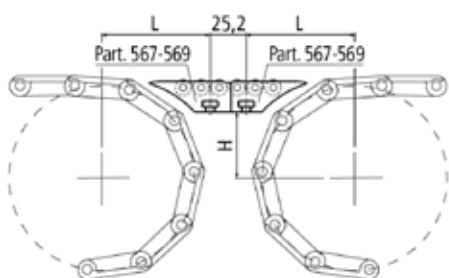
85mm shown

- Use :
- Head to tail transfer see Fig. 1-2.
- 90° transfer see Fig. 3.
- Material : frame and rollers in acetal Rex-HP™ (dark grey) very low coefficient of friction. Roller pins and screws in stainless steel AISI 304.
- Modularity : snap-on assembly with Part #568. Screws are M5 x 13mm long

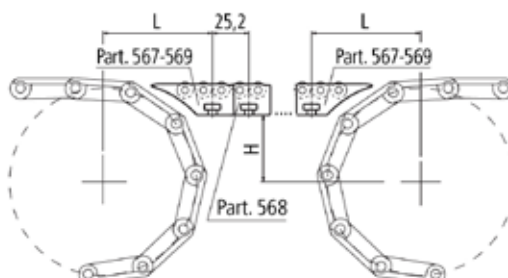
All dimensions are metric

Modular Transfer Roller Plate Assembly Details

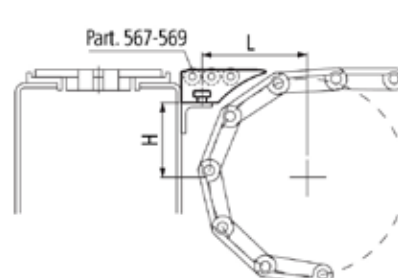
• Fig. 1 - Head to tail transfer with 2 modules



• Fig. 2 - Head to tail transfer with modules Part 568



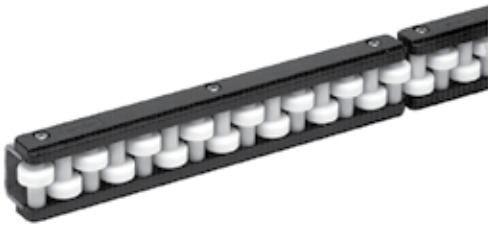
• Fig. 3 - 90° transfer



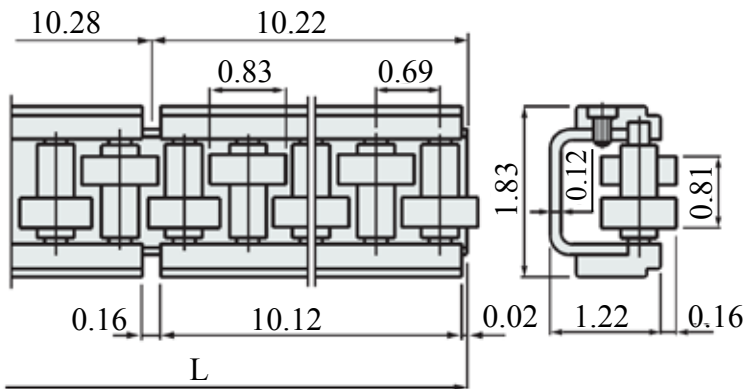
Contact CRS/VAMIC for details on H and L dimensions. These dimensions vary depending on the sprocket size and chain style.

Roller Guide One Roller Wide

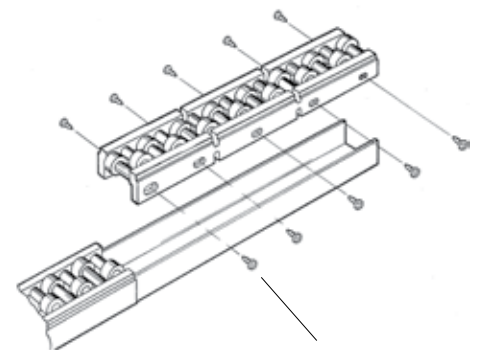
- Material : rollers in acetal POM (white).
Side straps in polyamide PA (black).
Frame in stainless steel AISI 303.



Part #	Length L
128-62640	1 meter
128-62670	2 meters
128-63350	3 meters



• Modular system
Guides are made of 257 mm long modules fixed on a metal «C» profile.



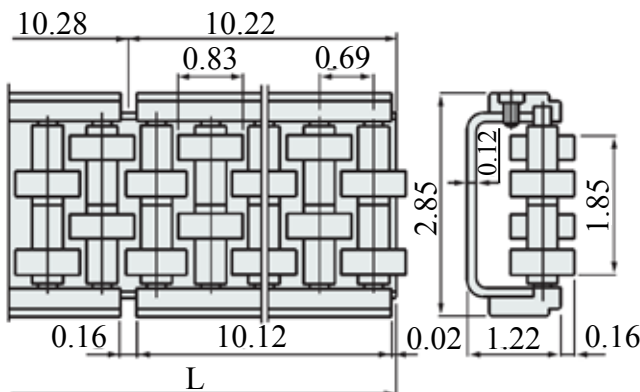
Cross head Screws
M4x8 UNI 7687

Roller Guide Two Rollers Wide

- Material : rollers in acetal POM (white).
Side straps in polyamide PA (black).
Frame in stainless steel AISI 303.



Part #	Length L
128-62650	1 meter
128-62680	2 meters
128-63340	3 meters



Replacement rollers 63-51370

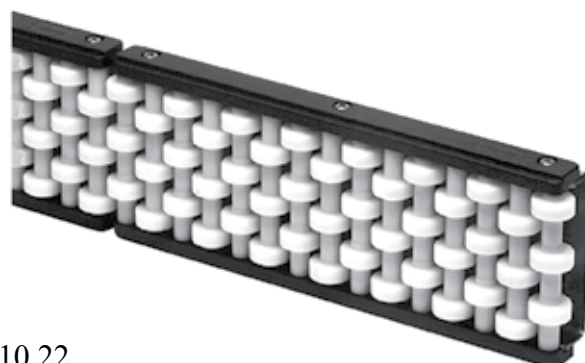


Dimensions : 8mm thick x 21mm od.
Hub : 6.3mm bore x 26.5mm long

Roller Guide Three Rollers Wide

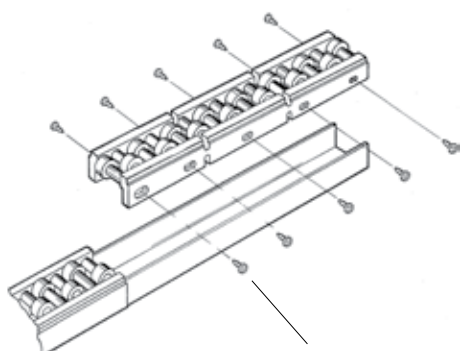
- Material : rollers in acetal POM (white).
Side straps in polyamide PA (black).
Frame in stainless steel AISI 303.

Part #	Length L
128-62660	1 meter
128-62690	2 meters
128-62890	3 meters

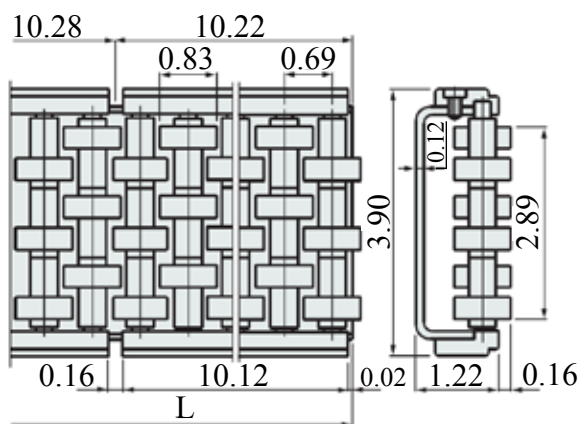


• Modular system

Guides are made of 257 mm long modules fixed on a metal «C» profile.



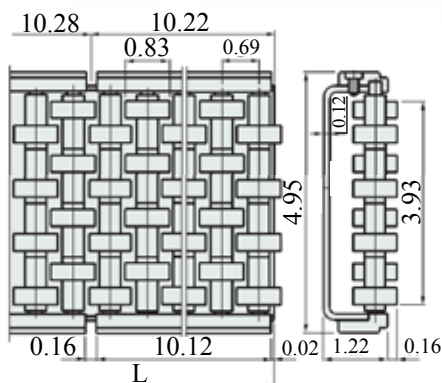
Cross head Screws
M4x8 UNI 7687



Roller Guide Four Rollers Wide

- Material : rollers in acetal POM (white).
Side straps in polyamide PA (black).
Frame in stainless steel AISI 303.

Part #	Length L
128-609733	1 meter
128-609743	2 meters
128-609753	3 meters



Replacement rollers
63-51370

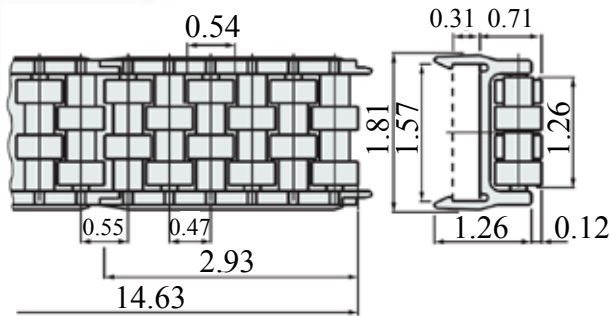


Dimensions : 8mm thick x 21mm od.
Hub : 6.3mm bore x 26.5mm long

Flexible Roller Guide

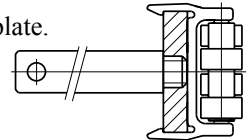
Part # 580-603302

- Material : frame in acetal POM (black).
Rollers in polyamide PA (white).

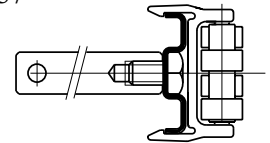


Fixing of Part #580
Snap-on assembly / disassembly

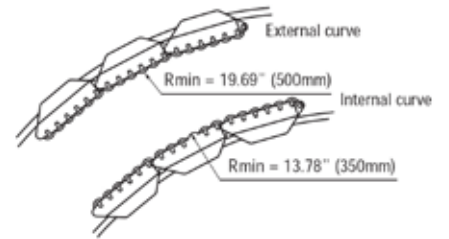
- Fixing with plate.



- Fixing with metal profile Part #537



• Min. curvature radius Part. 580

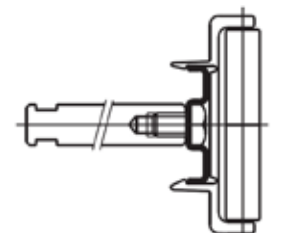
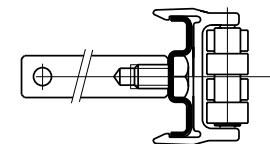
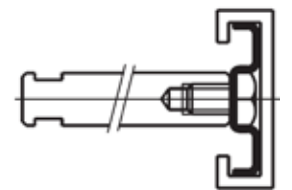
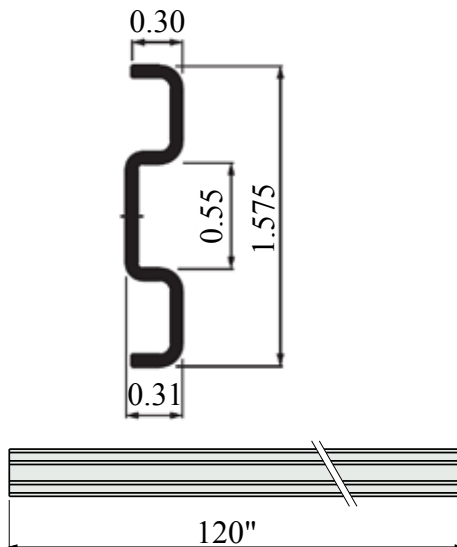


Part #537 - Metal profile 1.575" x 0.31"

Metal Profile

Part # 537-689231

- Material : Stainless steel



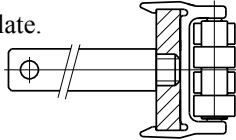
Flexible Roller Guide

Part # 581-603322

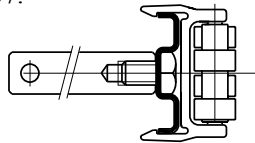
- Material : frame in acetal POM (black).
Rollers in polyamide PA (white).

Fixing of Part #581
Snap-on assembly / disassembly

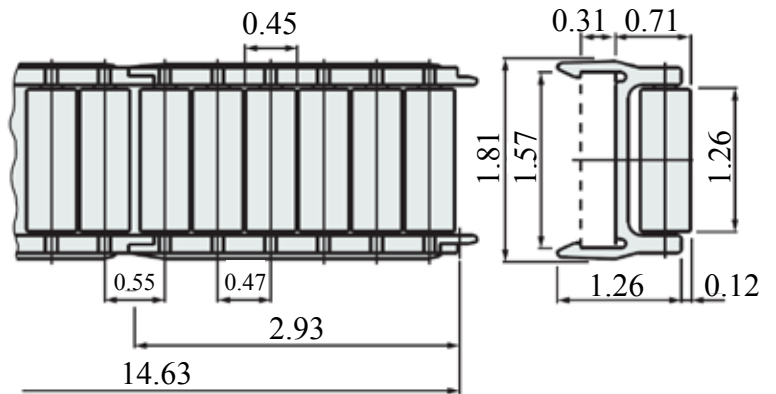
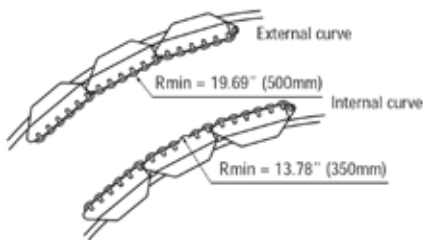
- Fixing with plate.



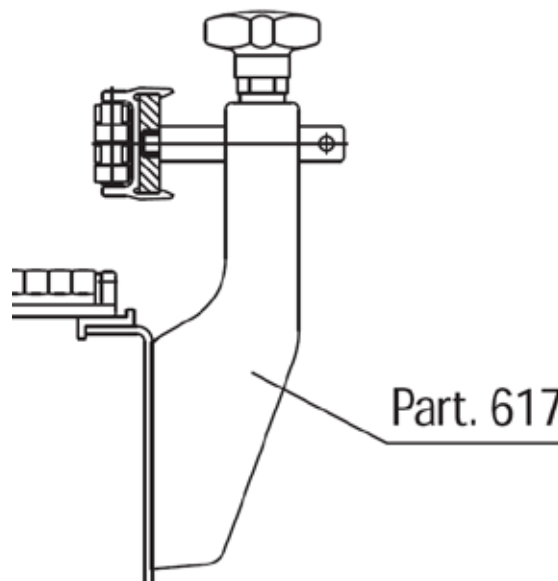
- Fixing with metal profile Part #537.



• Min. curvature radius Part. 581

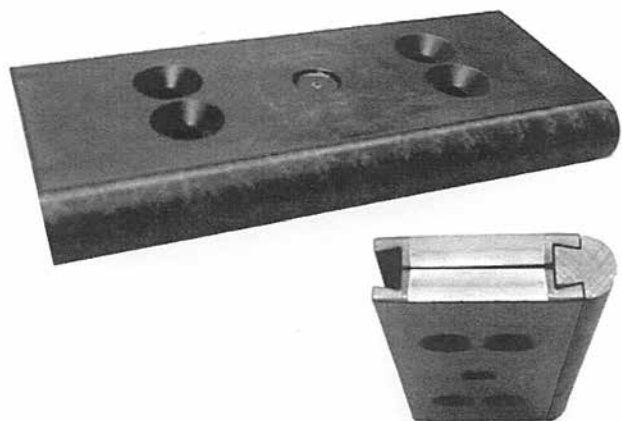


Part #537 - Metal profile
1.575" x 0.31"
Page 60

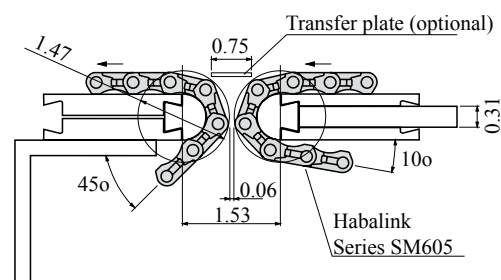
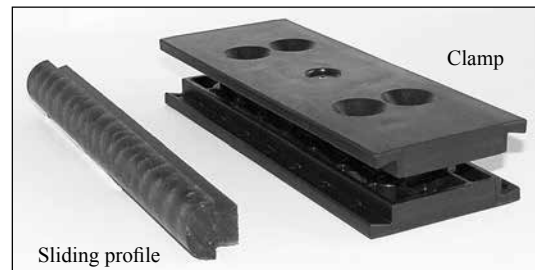
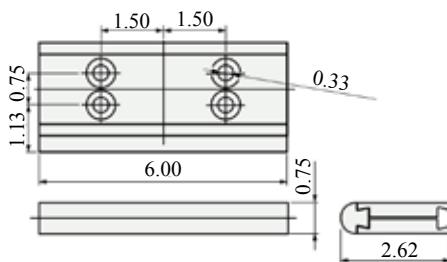


Modular Nose Bar

Part # **905-655711**

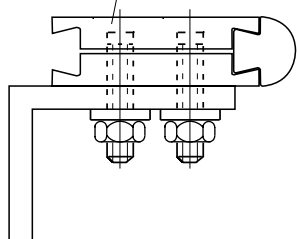


- Material : clamp in polyamide PA (black), sliding profile in Nylatron®.



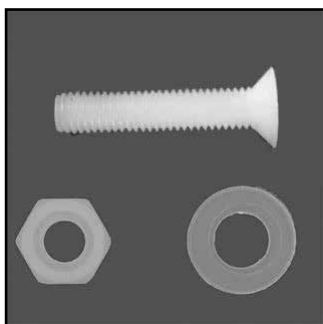
Part # **905-HW**

Hardware sold separately, code #905-HW

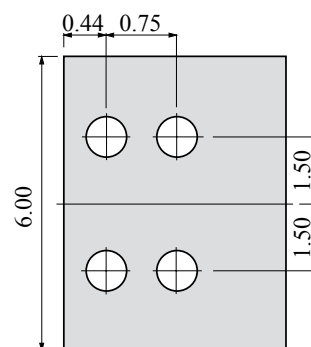


Each kit #905-HW contains :

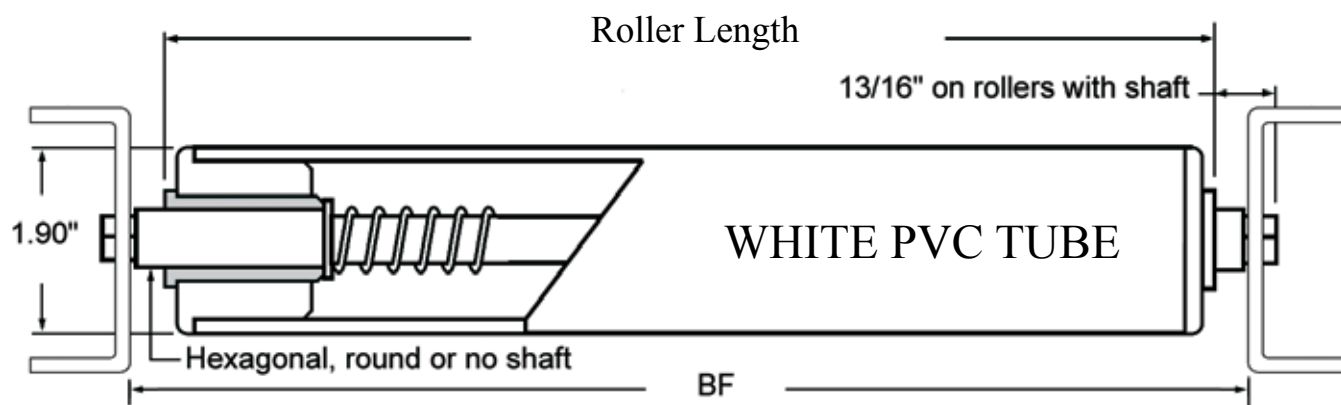
- 4 nylon bolts
- 4 nylon washers
- 4 nylon nut



• Drilling template



PVC Rollers -- Type 1

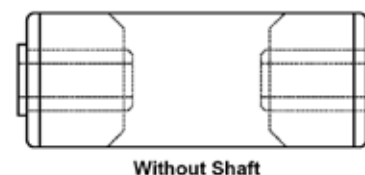
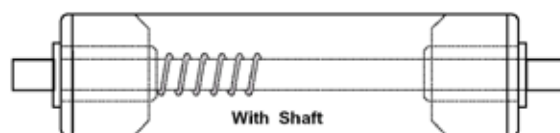


Type 1 rollers

Available with or without spring loaded shaft. Leave shaft information out of the part number.

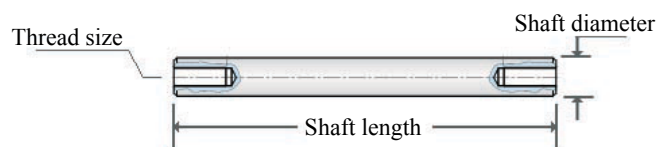
Material :

- PVC Tubing **1.90" outside diameter white**
- ABS End Plugs
- Nylon Inserts (200 rpm max / 100lbs max) discontinued.
- UHMW Inserts (400 rpm max / 160lbs max) now standard.
- Stainless Steel Shaft
- Stainless Steel Hex Adaptors
- Stainless Steel Spring



New ! Sold Separately

We can offer a stainless steel shaft, with threads on both ends, made to your specifications.



HOW TO ORDER :

$\frac{1}{2}$ "
-
S.S.
-
1540
-
U
-
B.F.

SHAFT SIZE
SHAFT MATERIAL
TUBE SIZE
PLUG MATERIAL
BETWEEN FRAME SIZE

OPTIONS :

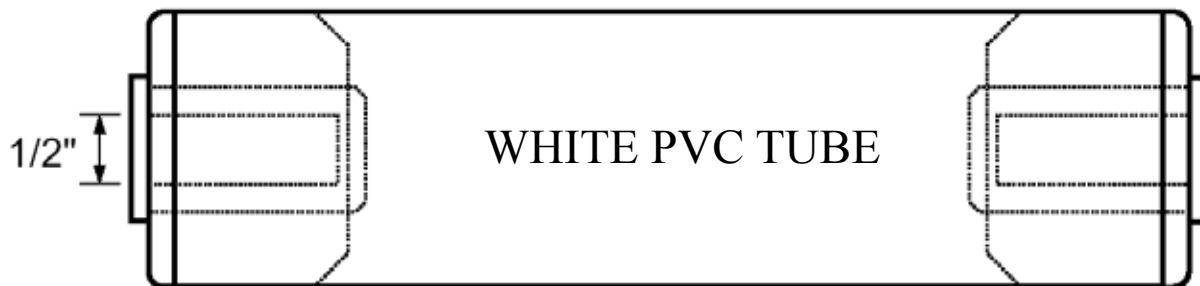
- Shaft Size : 1/2" round, 5/8" round, 3/4" round or 7/16" hexagonal
- Shaft Material : Stainless Steel
- Tube : #1540 (1-1/2" schedule 40)
- Plug Material : UHMW
- B.F.: Between Frame size in inches, roller is 1/8" shorter than B.F.

Shaft extends 13/16" on each side.

For special shaft lengths indicate your preferred dimension.

New shafts sold separately : Specify shaft diameter, length and thread size required.

PVC Rollers -- Type 2



Type 2 rollers

Primarily designed for belt driven conveyors where cleanliness is required. This roller is fitted with blind bore sleeve to suit a stainless steel stub shaft.

Material :

- PVC Tubing **1.90" outside diameter white**
- ABS end plugs
- Nylon Inserts (200 rpm max / 100lbs max) discontinued.
- UHMW Inserts (400 rpm max / 160lbs max) now standard.

HOW TO ORDER :

1/2"	-	B	-	1540	-	U	-	B.F.
BORE SIZE		BLIND BORE		TUBE SIZE		PLUG MATERIAL		BETWEEN FRAME SIZE

OPTIONS :

- Bore size : 1/2"
- Tube size : #1540 (1-1/2" schedule 40)
- Plug Material : UHMW
- B.F.: Between Frame size in inches, roller is 1/4" shorter than B.F.

ACCESSORIES SOLD SEPARATELY : CONVEYOR ROLL PINS

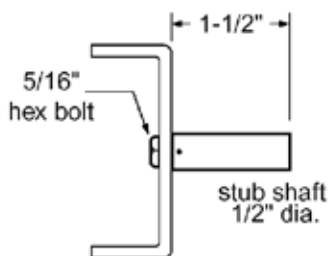
Standard stub shaft, with pin hole,

New stub shaft available with flats:

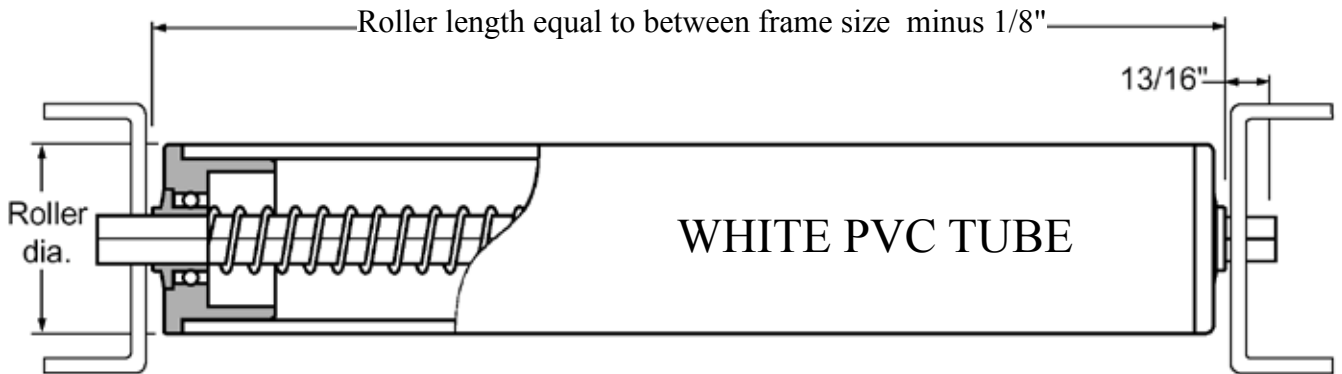
BP0824SS (discontinued)

OR

BP0824SS-Flat (Standard)



PVC Rollers -- Type 3



Type 3 rollers

Primarily designed for gravity conveyors to provide a reliable means of transporting products in a clean, corrosive free environment.

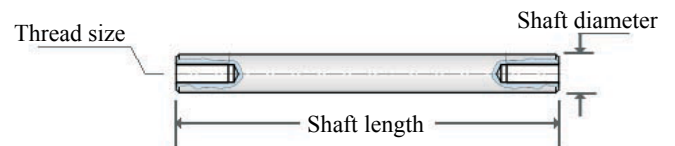
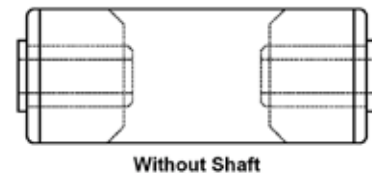
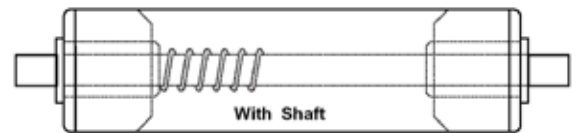
Available with or without spring loaded shaft.
Leave shaft information out of the part number

Material :

- White PVC Tubing
- ABS Ball Bearing with 420 s.s. balls (blue color)
- Stainless Steel Shaft
- Stainless Steel Spring

New ! Sold Separately

We can offer a 7/16" hexagonal stainless steel shaft, with threads on both ends, made to your specifications.



HOW TO ORDER :

S.S.
-
BB1540
-
B.F.
|
|
|
|
|
SHAFT MATERIAL
TUBE SIZE
BETWEEN FRAME SIZE

OPTIONS :

- Shaft : Stainless Steel
- Tube : #BB0540 (1/2" schedule 40) 13/16" dia. Standard shaft : 1/4" round
#BB1540 (1-1/2" schedule 40) 1.90" dia. Standard shaft : 7/16" hexagonal.
- B.F. : Between Frame size in inches, roller is 1/8" shorter than B.F.

Shaft extends 13/16" on each side.

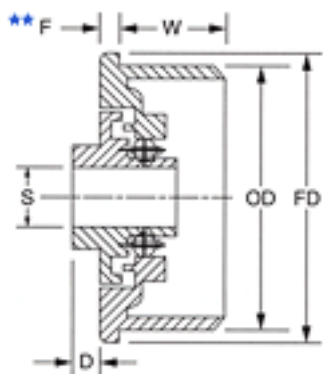
For special shaft lengths indicate your preferred dimension.

PVC Roller Components



White PVC Pipe

- 0540PW : 1/2" sch40 pipe, 13/16" od
- 1540PW : 1-1/2" sch40 pipe, 1.90" od



Blue PVC Roller end with Ball Bearings

- BB0540 : 1/2" sch40 pipe, 13/16" od, with 1/4" round bore
- BB1540 : 1-1/2" sch40 pipe, 1.90" od, with 7/16" hex bore



White PVC roller end plugs with UHMW inserts

- RE-U-1540-12 : 1-1/2" sch40 pipe, 1.90" od, 1/2" open bore
- RE-U-1540-12B : 1-1/2" sch40 pipe, 1.90" od, 1/2" blind bore
- RE-U-1540-58 : 1-1/2" sch40 pipe, 1.90" od, 5/8" open bore



Stainless steel stub shafts

- BP0824SS : 1/2" dia. x 1-1/2" lg with 5/16" unc thread (with pin hole to hold in place) (Discontinued)
- BP0824SS-FLAT : 1/2" dia. x 1-1/2" lg with 5/16" unc thread (with 2 flats to hold in place) (Standard)



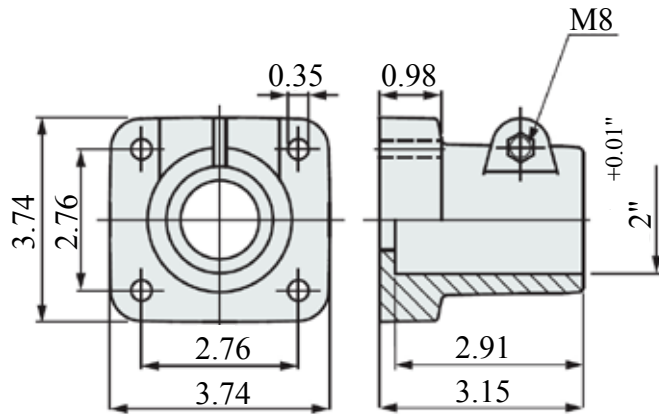
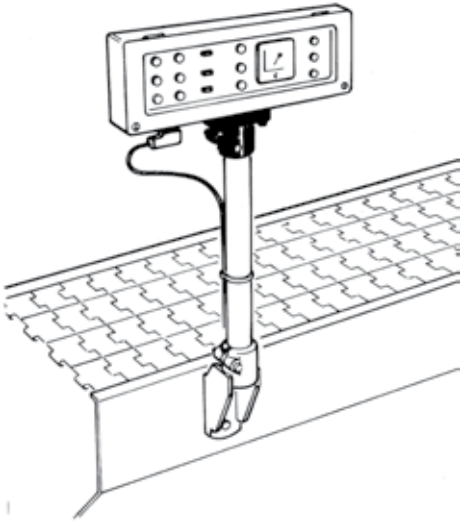
Roller end plug with spring loaded stub shaft

- D2077 : 1-1/2" sch40 pipe, 1.90" od, 5/16" unc fem thread
 - Nut and washer included in assembly
 - Mounted on ball bearings

Frame Support Components

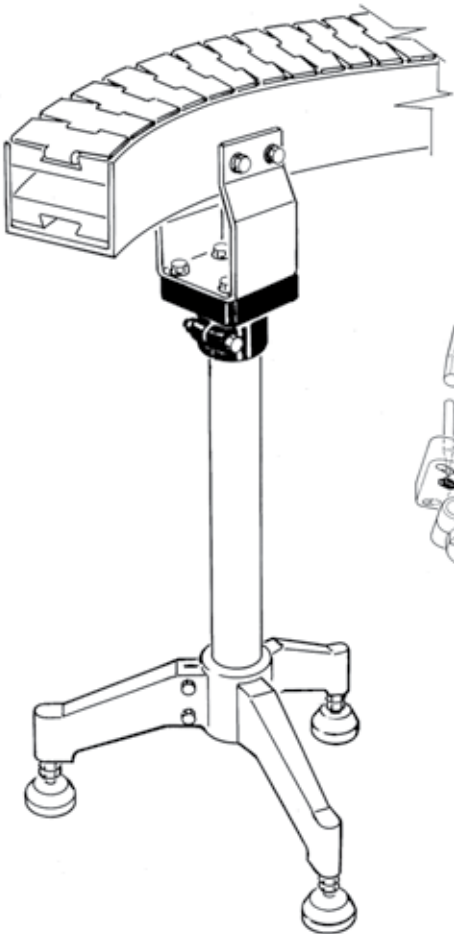
Part # 198-664761

Material : Black reinforced polyamide.
Stainless steel hardware.
Fits 2" outside diameter tube.

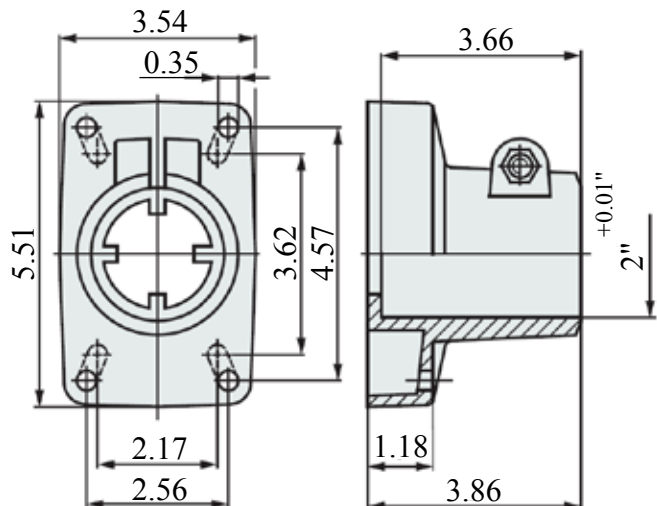


Part # 280-664781

Material : Black reinforced polyamide.
Stainless steel hardware.
Fits 2" outside diameter tube.

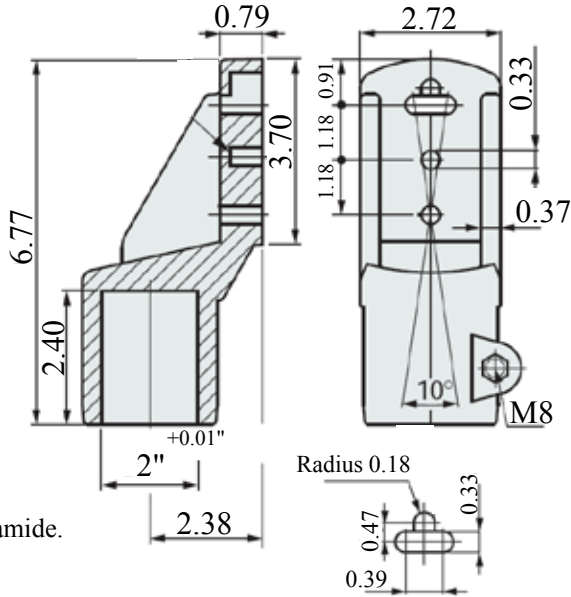


To obtain the fixing centre holes with dimensions 3.62" x 2.17" breakout the diaphragm.

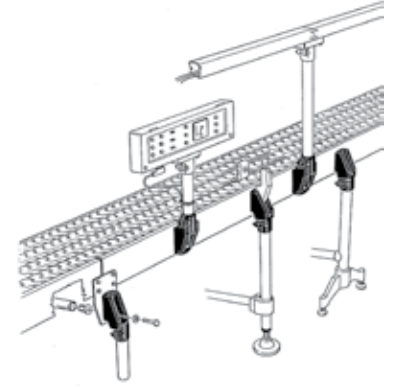


Frame Support Components

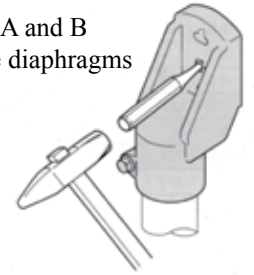
Part # 199-664771



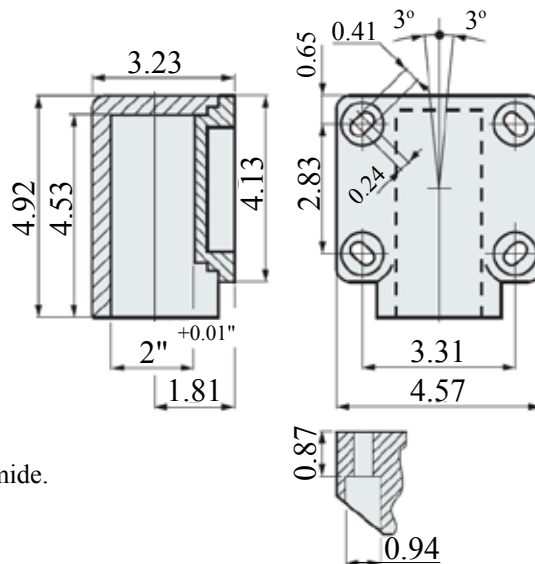
Material : Black reinforced polyamide.
Stainless steel hardware.
Fits 2" outside diameter tube.



To use holes A and B
break out the diaphragms



Part # 168-664751

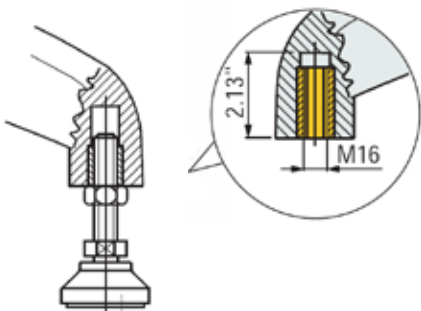


Material : Black reinforced polyamide.
Hardware not included
Fits 2" outside diameter tube.

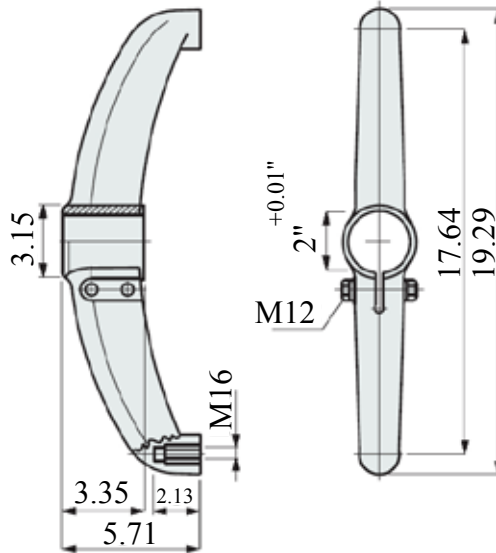


Frame Support Components

Part # **618-624312**

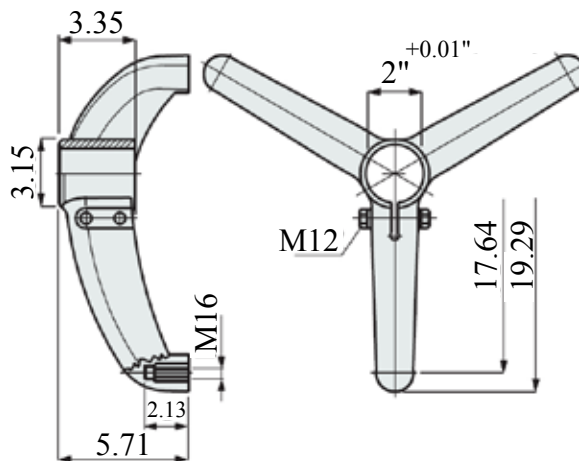
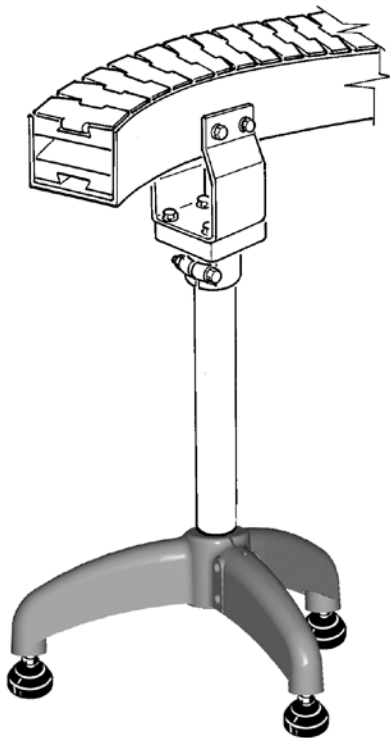


Part 98 or 133



Material : Black reinforced polyamide.
Stainless steel hardware.
Fits 2" outside diameter tube.

Part # **615-624272**



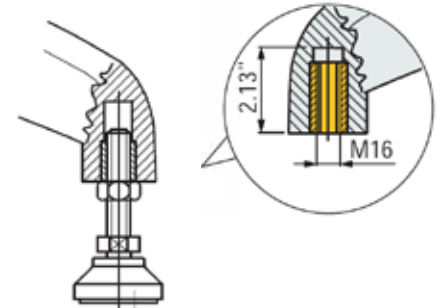
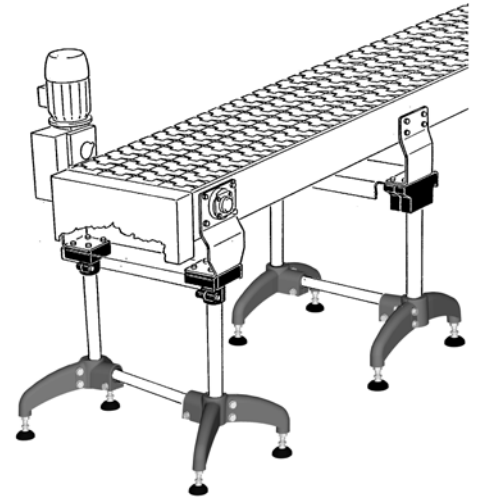
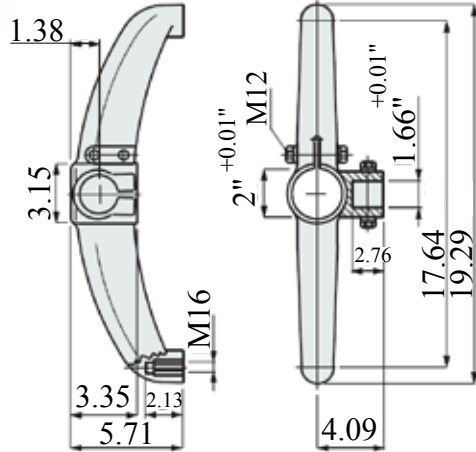
Material : Black reinforced polyamide.
Stainless steel hardware.
Fits 2" outside diameter tube.

Support Bases

Part # 619-624402



Material : Black reinforced polyamide.
Stainless steel hardware.
Fits 2" outside diameter tube.



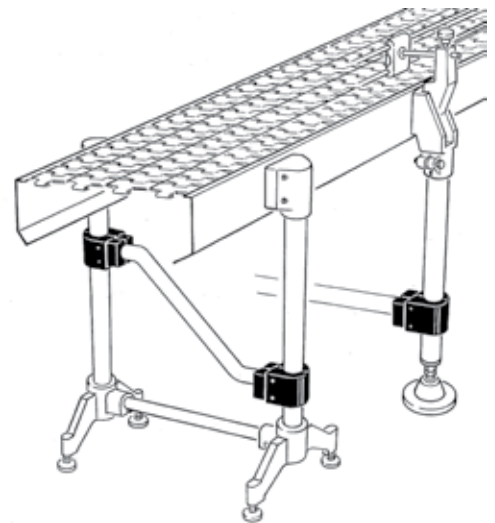
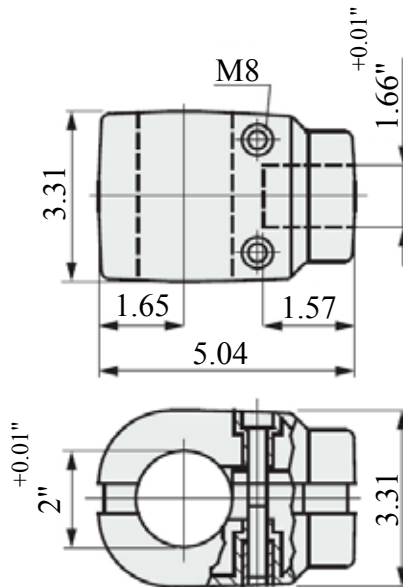
Part 98 or 133

Connecting Joint

Part # 137-664741



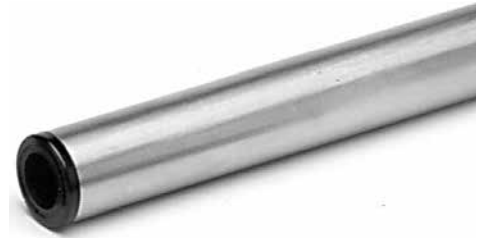
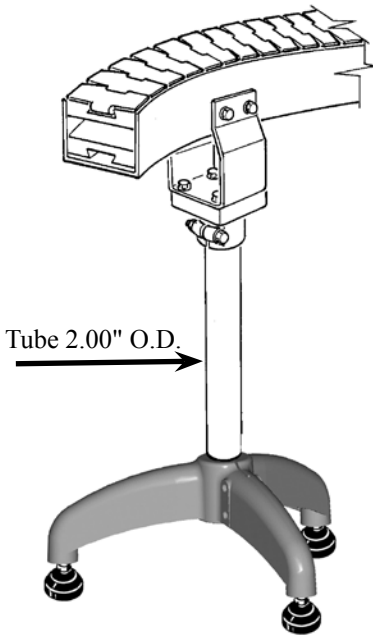
Material : Black reinforced polyamide.
Stainless steel hardware.



Stainless Steel Tube

Part # **R2016SS10**

2.00" Outside diameter

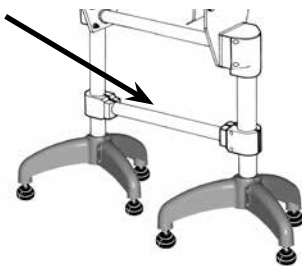


Stainless steel tube, 2" o.d. with 1/16" wall.
Supplied in 10 ft. sections

Part # **R166SS10**

1.66" Outside diameter

Tube 1.66" O.D.



Stainless steel tube, 1.66" o.d.
Supplied in 20 ft. sections

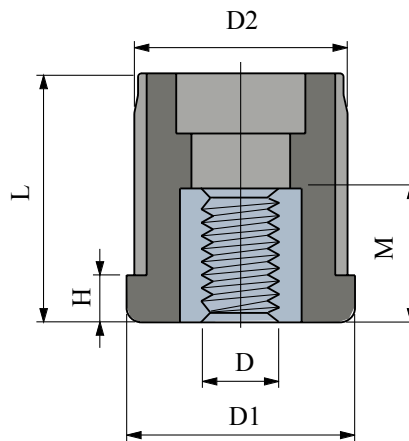
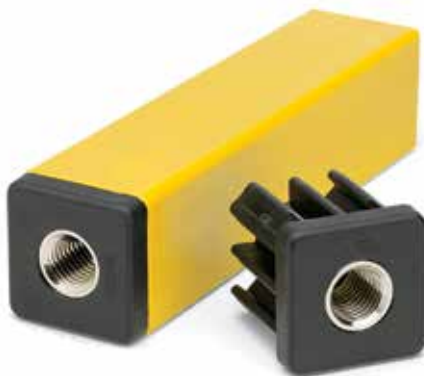
Stainless Steel Tube

Part # C1516SS10

Stainless steel, 1-1/2" square outside with 1/16" wall (16 gauge)
Available in 10 or 20 foot sections



Square Threaded Tube End



- Material : Bushing in reinforced polyamide PA FV (black). Threaded insert in nickel plated brass.

Tube Outside	Wall Thickness	Tube Inside	Thread Size D	D1	D2	H	L	M	Load Max	Code#
1-1/2"	0.065"	1.37"	1/2" unc	1.50	1.40	0.31	1.69	0.75	1125 lbs	224-59231
			5/8" unc	1.50	1.40	0.31	1.69	0.94	1125 lbs	224-59251
			1/2" unc	1.50	1.28	0.31	1.69	0.75	1125 lbs	224-61422
	0.120"	1.26"	5/8" unc	1.50	1.28	0.31	1.69	0.94	1125 lbs	224-61432
			3/4" unc	1.50	1.28	0.31	1.69	1.18	1800 lbs	224-661631
			1/2" unc	1.97	1.80	0.39	2.17	0.75	1125 lbs	224-61691
2"	0.109"	1.78"	5/8" unc	1.97	1.80	0.39	2.17	0.94	1125 lbs	224-59261
			3/4" unc	1.97	1.80	0.39	2.17	1.18	1800 lbs	224-59241
			M16	1.97	1.80	0.39	2.17	1.18	1800 lbs	224-63051
			1/2" unc	1.97	1.88	0.39	2.17	0.75	1125 lbs	224-692791
0.065"	1.85"	3/4" unc	1.97	1.88	0.39	2.17	0.75	1125 lbs	224-692811	

Maximum applicable load in static conditions.

Stainless Steel Tube

Part # **R2016SS10**

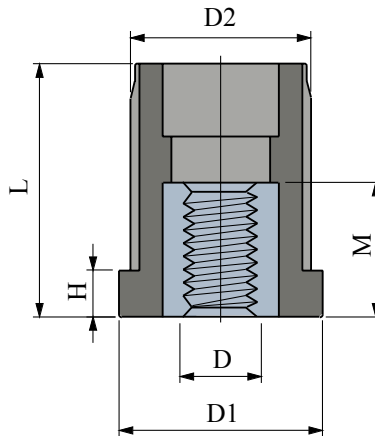
2.00" Outside diameter



Stainless steel tube, 2" o.d. with 1/16" wall.
Supplied in 10 ft. sections

Round Threaded Tube End

- Material : Bushing in reinforced polyamide PA FV (black). Threaded insert in nickel plated brass.



Tube Outside	Wall Thickness	Tube Inside	Thread Size D	D1	D2	H	L	M	Load Max	Code#
1-1/2"	0.065"	1.37"	1/2" unc	1.48	1.40	0.35	1.73	0.75	1125 lbs	180-59191
2"	0.065"	1.87"	5/8" unc	1.97	1.91	0.39	2.20	0.94	1125 lbs	180-59221
			3/4" unc	1.97	1.91	0.39	2.20	1.18	1800 lbs	180-59201

Maximum applicable load in static conditions.

Leveling Pad

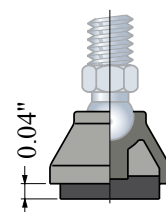


1.57" Base Diameter

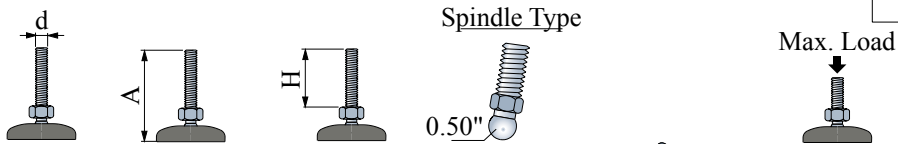
- Footplate material : reinforced polyamide PA FV (black).
- Anti-slip pad supplied separately.

Accessories

Anti-slip pad



- Code : 630002
- Material : NBR rubber (black), 70 Shore.
- Assembly : Press-fit.



Thread d	Height A	Thread Length H	Spindle Type	Wrench	Max.Load	Spindle in stainless steel AISI 303 Code	Spindle in zinc plated steel Code
3/8" unc	4.06"	2.80"	0.50"	0.47" (12)	2250 lbs	269-652421	-
1/2" unc	4.06"	2.80"	0.50"	0.47" (12)	2250 lbs	269-652441	-
	6.20"	4.95"	0.50"	0.47" (12)	2250 lbs	-	269-650321

Maximum applicable load in static conditions.

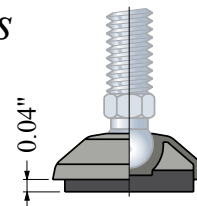


1.97" Base Diameter

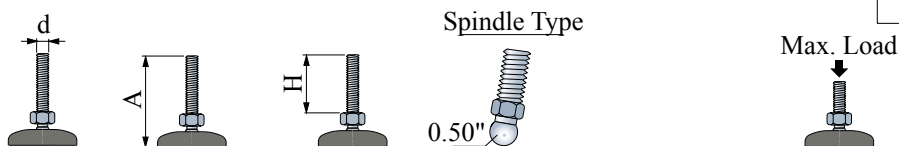
- Footplate material : reinforced polyamide PA FV (black).
- Anti-slip pad supplied separately.

Accessories

Anti-slip pad

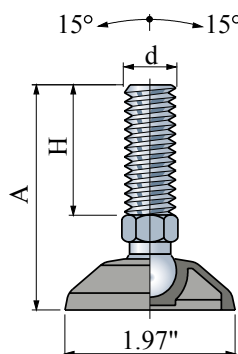
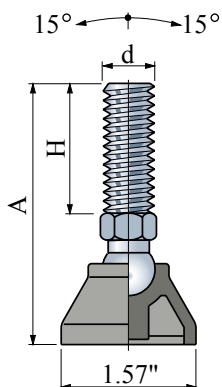


- Code : 630012
- Material : NBR rubber (black), 70 Shore.
- Assembly : Press-fit.



Thread d	Height A	Thread Length H	Spindle Type	Wrench	Max.Load	Spindle in stainless steel AISI 303 Code	Spindle in zinc plated steel Code
1/2" unc	3.69"	2.80"	0.50"	0.47" (12)	2250 lbs	173-69332	-
	5.83"	4.95"	0.50"	0.47" (12)	2250 lbs	-	173-650551

Maximum applicable load in static conditions.

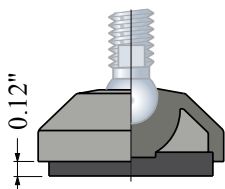


Leveling Pad

- Footplate material : reinforced polyamide PA FV (black).
- Anti-slip pad supplied separately.
- M16 Nut supplied separately

Accessories

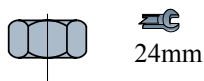
Anti-slip pad



- Code : 630022

- Material : NBR rubber (black), 70 Shore.
- Assembly : Press-fit.

M16 Nut

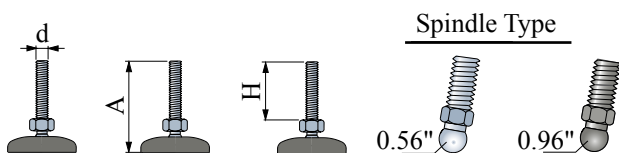


- Code : 630212.

- Material : Stainless steel AISI 304

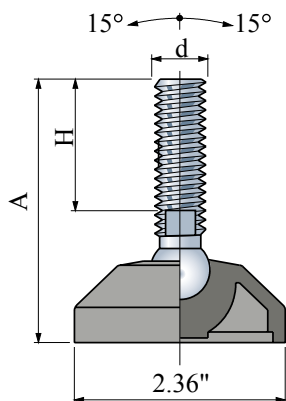


2.36" Base Diameter



Thread d	Height A	Thread Length H	Spindle Type	Wrench	Max. Load	Spindle in stainless steel AISI 303 Code	Spindle in nickel plated brass Code
M16	3.74"	2.48"	0.56"	-	0.63" (16)	2250 lbs	-
	3.94"	2.52"	0.56"	-	0.51" (13)	2250 lbs	98-626012
	5.91"	4.06"	-	0.96" *	0.94" (24)	2700 lbs	98-673851
	7.28"	5.67"	-	0.96"	0.94" (24)	2700 lbs	98-628802

*Polyamide ball Maximum applicable load in static conditions.



Leveling Pad

- Protection cap material : stainless steel AISI 304.
- Foot base standard material : reinforced polypropylene with integrated anti-slip in thermoplastic rubber black (80 Shore).
- The sealing of the internal structure guarantees a better hygiene.



Accessories

M16 Nut



24mm

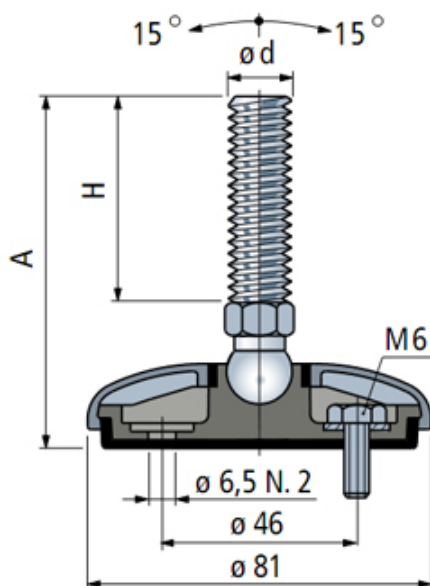
- Code : 630212.

- Material : Stainless steel AISI 304

3.15" Base Diameter

Thread d	Height A	Thread Length H	Spindle Type 0.56"	Wrench 0.51" (13)	Max. Load 2700 lbs	Spindle in stainless steel AISI 303 Code 627-642112
M16	3.94"	2.52"	0.56"	0.51" (13)	2700 lbs	627-642112
	7.28"	5.91"	0.56"	0.51" (13)	2700 lbs	627-642132

Maximum applicable load in static conditions.

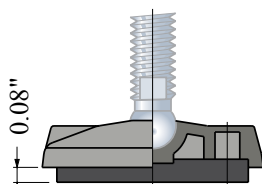


Leveling Pad

- Footplate material : reinforced polyamide PA FV (black).
- Anti-slip pad supplied separately.

Accessories

Anti-slip pad



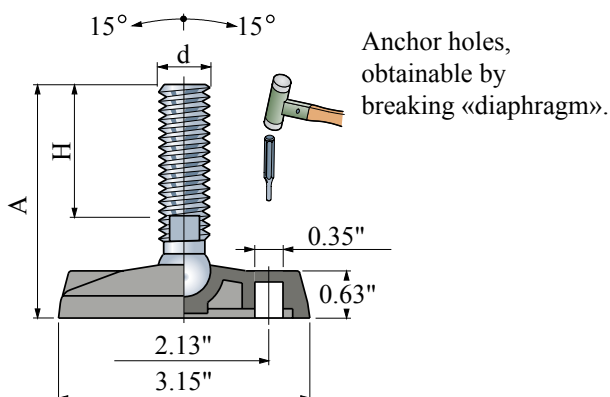
- Code : 630042
- Material : NBR rubber (black), 70 Shore.
- Assembly : Press-fit.



3.15" Base Diameter with 2 Anchor Holes

Thread d	Height A	Thread Length H	Spindle Type		Wrench	Max. Load	Spindle in stainless steel AISI 303 Code	Spindle in zinc plated steel Code
M12	155mm	132mm	0.50"	-	0.47" (12)	2025 lbs	323-679061N	-
	3.66"	2.52"	-	0.56"	0.43" (11)	2250 lbs	-	323-653891N
1/2" unc	3.78"	2.80"	0.50"	-	0.47" (12)	2025 lbs	323-653071	-
	5.87"	4.72"	-	0.56"	0.43" (11)	2250 lbs	323-658742	-
5/8" unc	5.93"	4.95"	0.50"	-	0.47" (12)	2025 lbs	-	323-652171
	5.79"	4.42"	-	0.56"	0.51" (13)	2250 lbs	-	323-652191N
	5.90"	4.76"	-	0.56"	0.51" (13)	2250 lbs	323-658762	-

Maximum applicable load in static conditions.



Hygienic Leveling Pads

3A Certified, all stainless steel with optional sleeve, white FDA rubber pads, in metric or imperial sizes.



TYPE XH

The XH machine foot is certified according to 3A sanitary standard for machine feet: "88-00" and EHEDG type EL - 1st class. The patented XH foot is sealing all moving parts 100% hygienically, even if the load on the foot is removed. The XH model is therefore approved for machinery and equipment for the food, dairy, brewing and pharmaceutical industries.

The XH design reduces time on cleaning to an absolute minimum. The sleeve covers the threaded surface and also functions as a nut. The machine foot admits slopes up to 10° on floors and equipment.

Options:

- Bases: 3.15", 4.13", 4.92" and 5.90"
- Threads: 5/8", 3/4", 1", 1-1/4"

- Height : 5.91", 8.27"

Contact CRS/VAMIC for more informations.



TYPE HJ Hygienic

This machine foot is USDA certified and is consequently approved for demanding sanitary applications. Using two fixing holes, you can fix this type to the floor. It admits slopes up to 9° on floors and equipment.

The solid stainless steel design allows a high load capacity. The sleeve covers the thread and also functions as a nut. Available with or without anti-slip rubber.

Options:

- Bases: 3.15", 3.54", 4.33" and 5.91"
- Threads: 5/8", 3/4", 1", 1-1/4"

- Height : 6.5", 8.5"

Contact CRS/VAMIC for more informations.



TYPE H

The H machine foot is ultrahygienic with covered transition between foot plate and thread. FDA conformed white rubber vulcanized to base. Admits slopes up to 10°. From 2.36" to 5.51" base, with 1/2" to 1-1/4" thread. ***Ask about our models in stock.**

TYPE H61

This foot type can be fixed to the floor. The embedded fixing plate enables the fixed foot to absorb vibration. FDA conformed rubber vulcanized to base. Admits up to 10° slopes on floors and equipment. Standard 2.36" base, with 1/2" to 1-1/4" thread.

TYPE M-fixing

The embedded fixing plate enables the fixed foot to absorb vibration. Supplied with one or two fixing holes. FDA conformed rubber vulcanized to base. Admits up to 5° slopes on floors and equipment. From 2.95" to 3.94" base, with 3/8" to 1-1/4" thread.

TYPE HG

This high load capacity model has a flexible thread, and admits slopes up to 9° on floors and equipment. Smoothly rounded foot design for ease of cleaning. Also available with anti-slip rubber. From 2.75" to 5.91" base, with 1/2" to 1-1/4" thread.

TYPE HJ

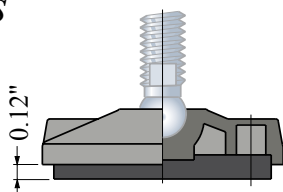
This high load capacity model has two fixing holes, and admits slopes up to 9° on floors and equipment. Smoothly rounded foot design for ease of cleaning. Also available with anti-slip rubber. From 3.15" to 5.91" base, with 1/2" to 1-1/4" thread.

Leveling Pad

- Footplate material : reinforced polyamide PA FV (black).
- Anti-slip pad supplied separately.
- M16 Nut supplied separately

Accessories

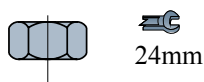
Anti-slip pad



- Code : 630052

- Material : NBR rubber (black), 70 Shore.
- Assembly : Press-fit.

M16 Nut



- Code : 630212.

- Material : Stainless steel AISI 304

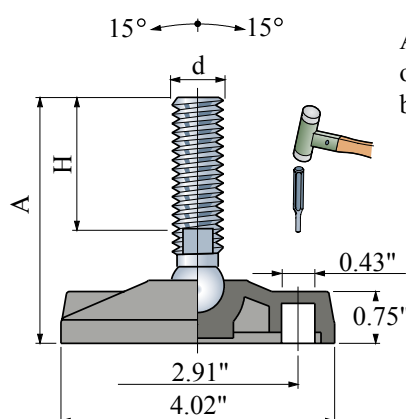


4.02" Base Diameter
with 2 Anchor Holes

Thread d	Height A	Thread Length H	Spindle Type	Wrench	Max. Load	Spindle in stainless steel AISI 303 Code	Spindle in zinc plated steel Code
1/2" unc	5.90"	4.06"	0.96" *	0.75" (19)	2925 lbs	133-654421	-
5/8" unc	5.94"	4.30"	0.96"	0.94" (24)	2925 lbs	133-659242	-
	7.75"	5.90"	0.96" *	0.94" (24)	2925 lbs	133-659302	133-659522
3/4" unc	7.33"	5.68"	0.96"	0.94" (24)	2925 lbs	133-659352	133-659562
M16	3.74"	2.48"	0.56"	0.63" (16)	2700 lbs	-	133-633272**
M16	4.53"	2.91"	0.96"	0.94" (24)	2925 lbs	133-627212	-
M16	7.28"	5.67"	0.96"	0.94" (24)	2925 lbs	133-627232	-
M16	7.87"	6.26"	0.96"	0.94" (24)	2925 lbs	133-627242	-

*Polyamide ball Maximum applicable load in static conditions.

**Nickel Plated Brass



Anchor holes, obtainable by breaking «diaphragm».

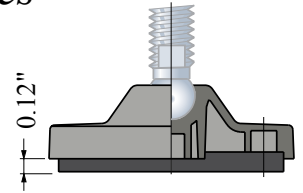
Leveling Pad



- Footplate material : reinforced polyamide PA FV (black).
- Anti-slip pad supplied separately.

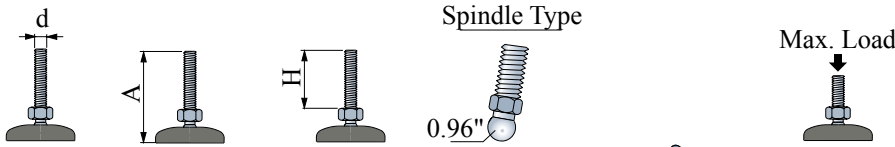
Accessories

Anti-slip pad



- **Code : 630062**
- Material : NBR rubber (black), 70 Shore.
- Assembly : Press-fit.

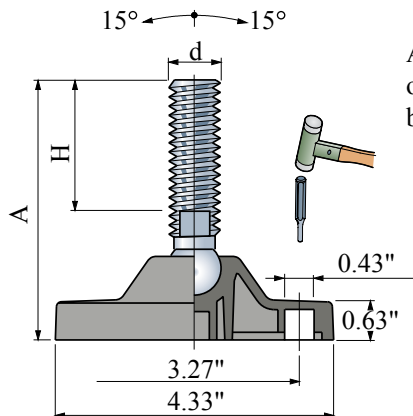
4.33" Base Diameter



Thread d	Height A	Thread Length H	Spindle Type	Wrench	Max. Load	Spindle in stainless steel AISI 303 Code	Spindle in zinc plated steel Code
5/8" unc	6.38"	4.30"	0.96"	0.94" (24)	4500 lbs	479-659692	-
	8.18"	5.90"	0.96" *	0.94" (24)	4500 lbs	479-653131	479-653161
3/4" unc	7.76"	5.68"	0.96"	0.94" (24)	4500 lbs	479-659792	479-659972
	11.22"	9.01"	0.96"	0.94" (24)	4500 lbs	479-659802	

*Polyamide ball Maximum applicable load in static conditions.

Low volume



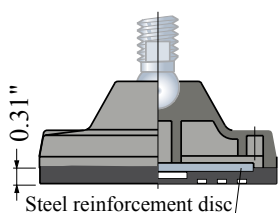
Anchor holes, obtainable by breaking «diaphragm».

Leveling Pad

- Footplate material : reinforced polyamide PA FV (black).
- Anti-slip pad supplied separately.

Accessories

Anti-slip pad



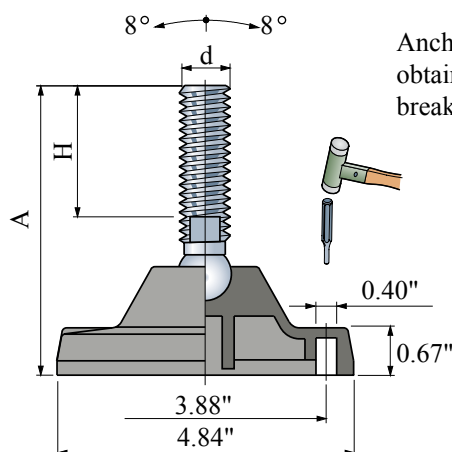
- Code with reinforcement disc: 630082.
- Material : NBR rubber (black), 80 Shore.
- Assembly : With screws for plate supplied loose.



4.84" Base Diameter

Thread d	Height A	Thread Length H	Spindle Type 0.96"	Wrench 0.94" (24)	Max. Load 5625 lbs	Spindle in stainless steel AISI 303 Code 171-661242	Spindle in zinc plated steel Code 171-661392
3/4" unc	8.22"	5.68"	0.96"	0.94" (24)	5625 lbs	171-661242	171-661392

Maximum applicable load in static conditions.



Anchor holes,
obtainable by
breaking «diaphragm».

Mounted Bearings

4 Bolt Flange



PA FV polyamide housing

- Housing in reinforced polyamide PA FV resin (black)
- High quality ball bearing in chrome steel
- Protection cover in polypropylene PP (orange or yellow)
- Seal and O-Ring in NBR rubber (black)
- Ball type nickel plated brass greasing nipple
- Reinforcing bushings on mounting holes and washers in stainless steel AISI 304
- Stainless steel AISI 303 safety ring
- Bottom seal in PVC (black).

Continuous operating temperature

In air : -4 to + 140 °F (- 20 to + 60 ° C).

Maximum allowed misalignment: 2°.

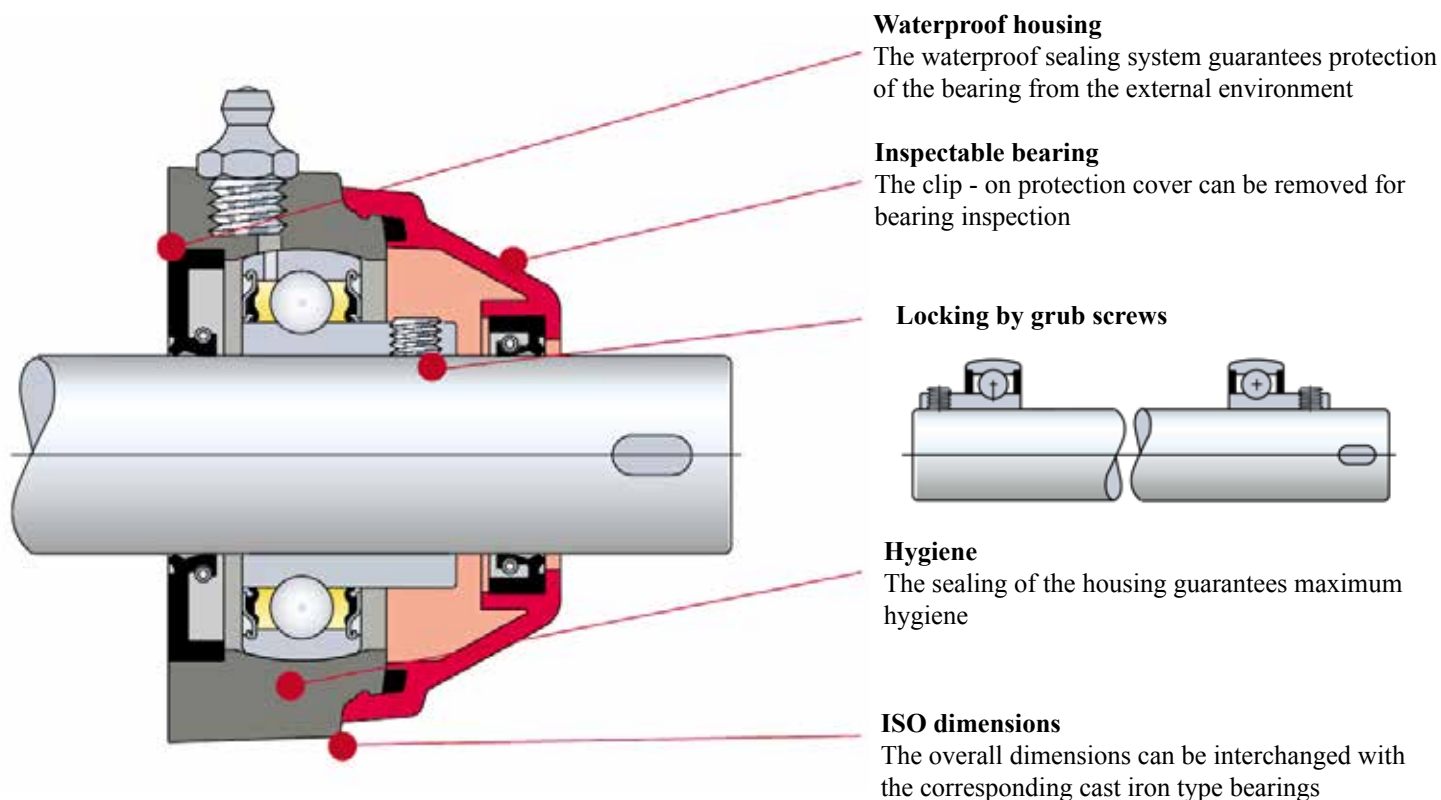
Dessins

CAD Disponibles

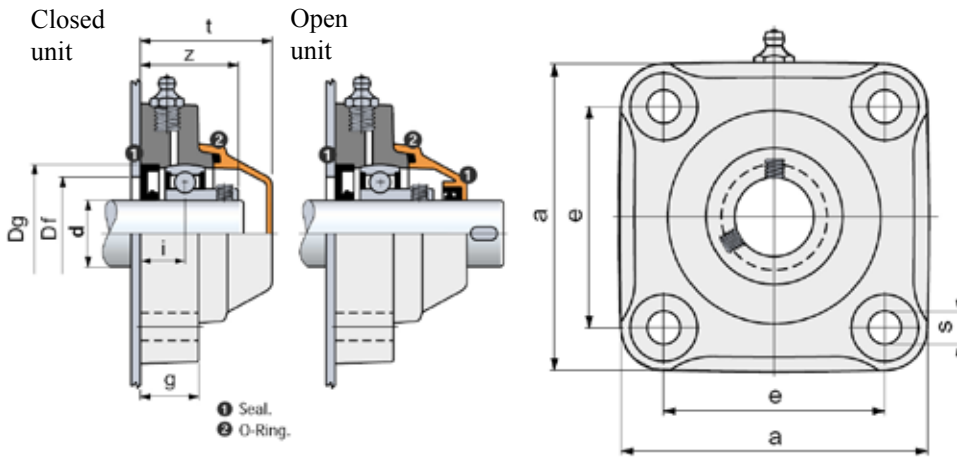
Communiquez avec CRS/VAMIC pour obtenir les dessins CAD des composants, ou visitez www.crsvamic.ca

CAD Drawings Available

Contact CRS/VAMIC to obtain CAD drawings of components, or go to www.crsvamic.ca



Mounted Bearings



Shaft dia. d	e	a	s	g	i	z	t	Dg	Df		Brg load in lbs	
									Min	Max	Dyn.	Stat.
25mm	2.756	3.858	0.433	0.886	0.661	1.429	1.949	2.047	1.772	1.969	2429	1574
1"	2.756	3.858	0.433	0.886	0.661	1.429	1.949	2.047	1.772	1.969	2429	1574
1-1/4"	3.268	4.331	0.433	1.024	0.787	1.614	2.165	2.441	1.969	2.362	3396	2249
1-1/2"	3.268*	4.331	0.433	1.024	0.748	1.890	2.598	3.150	2.559	3.071	5083	3531

All dimensions are in inches.

* Special, small housing size, 206 equiv.

Shaft dia. d	Bearings series with black reinforced polyamide housing		Codes for closed covers c/w o'ring		Codes for open covers c/w seal and o'ring	
	Bearing units with seal and orange closed cover	Bearing units with seals and orange open cover	Orange	Yellow	Orange	Yellow
25mm	64573	64623	63194	609653	691572	609663
1"	693942	693952	63194	609653	691572	609663
1-1/4"	691002	691032	63154	609673	691582	609683
1-1/2"	691022	691052	600882	609713	691602	609723

Mounted Bearings

2 Bolt Flange



PA FV polyamide housing

- Housing in reinforced polyamide PA FV resin (black)
- High quality ball bearing in chrome steel
- Protection cover in polypropylene PP (orange or yellow)
- Seal and O-Ring in NBR rubber (black)
- Ball type nickel plated brass greasing nipple
- Reinforcing bushings on mounting holes and washers in stainless steel AISI 304
- Stainless steel AISI 303 safety ring
- Bottom seal in PVC (black).

Continuous operating temperature

In air : -4 to + 140 °F (- 20 to + 60 ° C).

Maximum allowed misalignment: 2°.



PP FV polypropylene housing

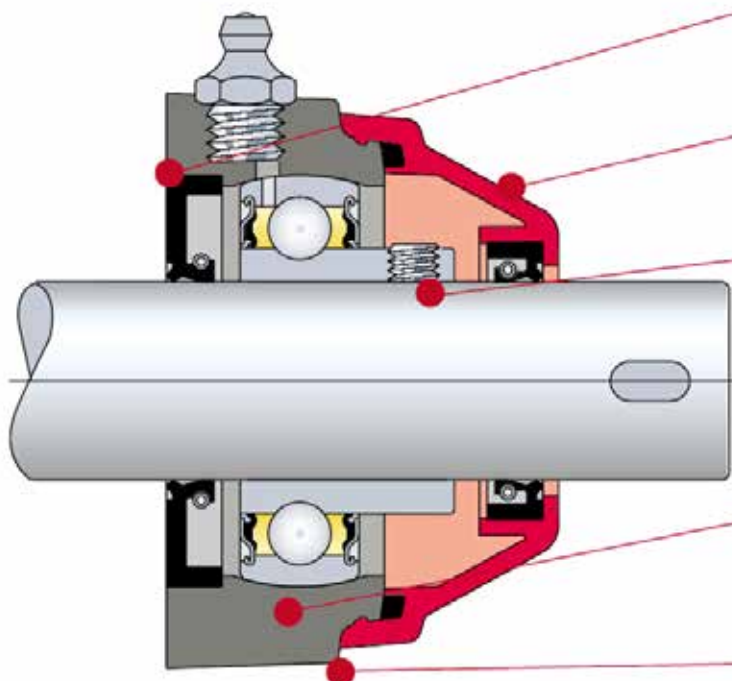
- Housing in reinforced polypropylene PP FV resin (white)
- High quality ball bearing in chrome steel
- Protection cover in polypropylene PP (orange or yellow)
- Seal and O-Ring in NBR rubber (black).
- Ball type stainless steel AISI 316 greasing nipple
- Reinforcing bushings on mounting holes and washers in stainless steel AISI 316
- Stainless steel AISI 303 safety ring
- Bottom seal in PVC (black).

Continuous operating temperature

In air : -4 to + 140 °F (- 20 to + 60 ° C).

Maximum allowed misalignment: 2°.

White Polypropylene housing with solid flange



Waterproof housing

The waterproof sealing system guarantees protection of the bearing from the external environment

Inspectable bearing

The clip - on protection cover can be removed for bearing inspection

Locking by grub screws



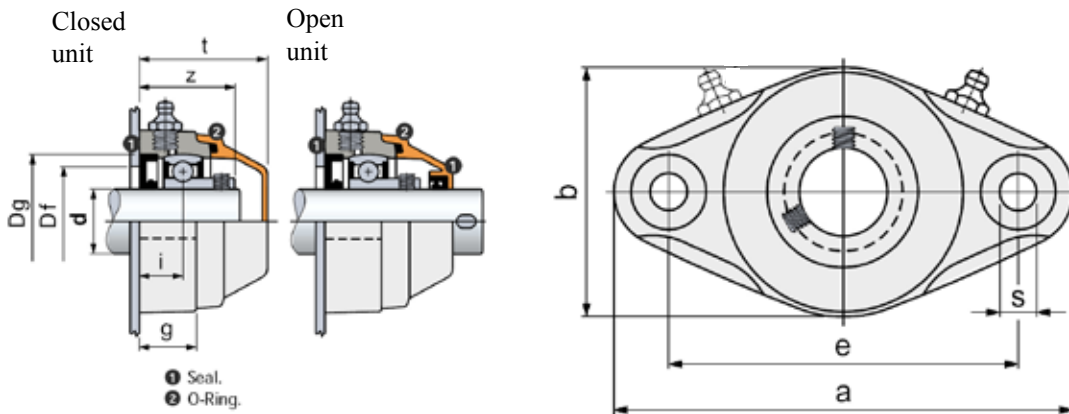
Hygiene

The sealing of the housing guarantees maximum hygiene

ISO dimensions

The overall dimensions can be interchanged with the corresponding cast iron type bearings

Mounted Bearings



Shaft dia. d	e	a	b	s	g	i	z	t	Dg	Df		Brg load in lbs	
										Min	Max	Dyn.	Stat.
3/4"	3.543	4.567	2.441	0.433	0.787	0.598	1.319	1.811	1.850	1.575	1.772	2249	1394
25mm	3.898	5.118	2.795	0.433	0.886	0.661	1.429	1.949	2.047	1.772	1.969	2249	1394
1"	3.898	5.118	2.795	0.433	0.886	0.661	1.429	1.949	2.047	1.772	1.969	2429	1574
30mm	4.606	5.827	3.346	0.433	1.024	0.787	1.614	2.165	2.441	1.969	2.362	3396	2249
1-1/4"	4.606	5.827	3.346	0.433	1.024	0.787	1.614	2.165	2.441	1.969	2.362	3396	2249
1-1/2"	5.669	6.929	4.016	0.433	1.181	0.906	2.047	2.579	3.150	2.559	3.071	5083	3531

All dimensions are in inches.

Shaft dia. d	Bearings series with black reinforced polyamide housing		Bearings series with white polypropylene with Microban solid flange.		Codes for closed covers c/w o'ring		Codes for open covers c/w seal and o'ring	
	Bearing units with seal and orange closed cover	Bearing units with seals and orange open cover	Bearing units with seal and orange closed cover	Bearing units with seals and orange open cover	Orange	Yellow	Orange	Yellow
3/4"	691142	691182	-	-	63519	609633	691622	609643
25mm	68523	68533	-	-	63194	609653	691572	609663
1"	691152	691192	695812	695822	63194	609653	691572	609663
30mm	68399	68409	-	-	63154	609673	69965	-
1-1/4"	691162	691202	695832	695842	63154	609673	691582	609683
1-1/2"	691172	691212	-	-	63539	609693	691592	609703

Low volume

Mounted Bearings

3 Bolt Flange



PA FV polyamide housing

- Housing in reinforced polyamide PA FV resin (black)
- High quality ball bearing in chrome steel
- Protection cover in polypropylene PP (orange or yellow)
- Seal and O-Ring in NBR rubber (black)
- Ball type nickel plated brass greasing nipple
- Reinforcing bushings on mounting holes and washers in stainless steel AISI 304
- Stainless steel AISI 303 safety ring
- Bottom seal in PVC (black).

Continuous operating temperature

In air : -4 to + 140 °F (- 20 to + 60 ° C).

Maximum allowed misalignment: 2°.

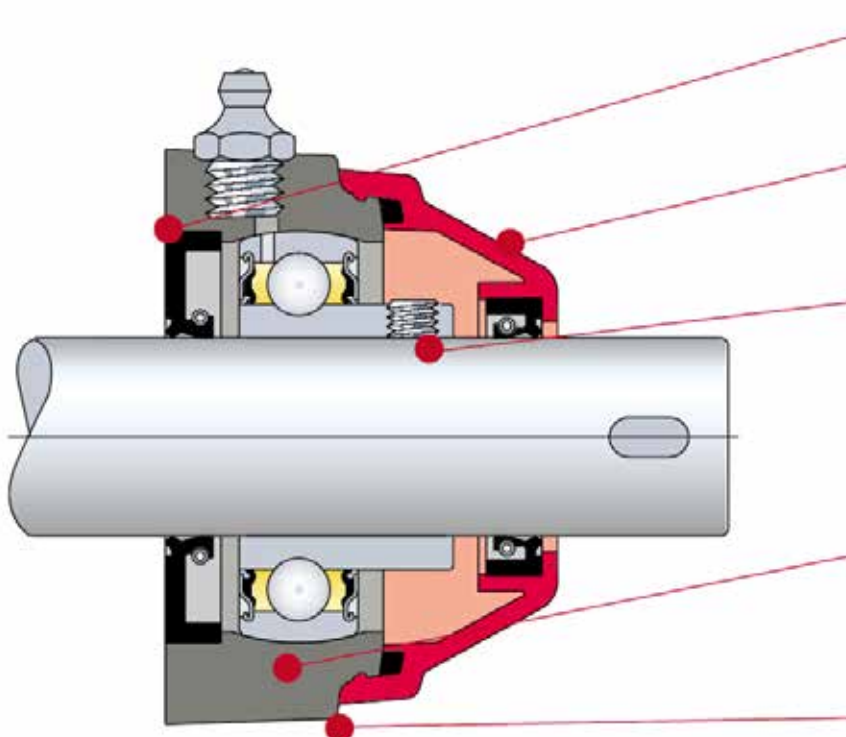
PP FV polypropylene housing

- Housing in reinforced polypropylene PP FV resin (white)
- High quality ball bearing in chrome steel
- Protection cover in polypropylene PP (orange or yellow) with
- Seal and O-Ring in NBR rubber (black).
- Ball type stainless steel AISI 316 greasing nipple
- Reinforcing bushings on mounting holes and washers in stainless steel AISI 316
- Stainless steel AISI 303 safety ring
- Bottom seal in PVC (black).

Continuous operating temperature

In air : -4 to + 140 °F (- 20 to + 60 ° C).

Maximum allowed misalignment: 2°.



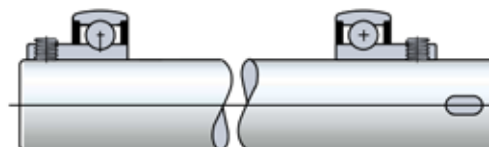
Waterproof housing

The waterproof sealing system guarantees protection of the bearing from the external environment

Inspectable bearing

The clip - on protection cover can be removed for bearing inspection

Locking by grub screws



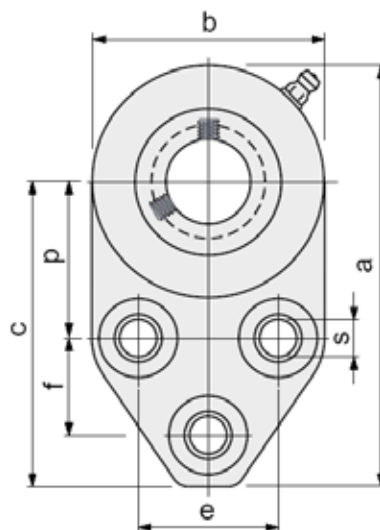
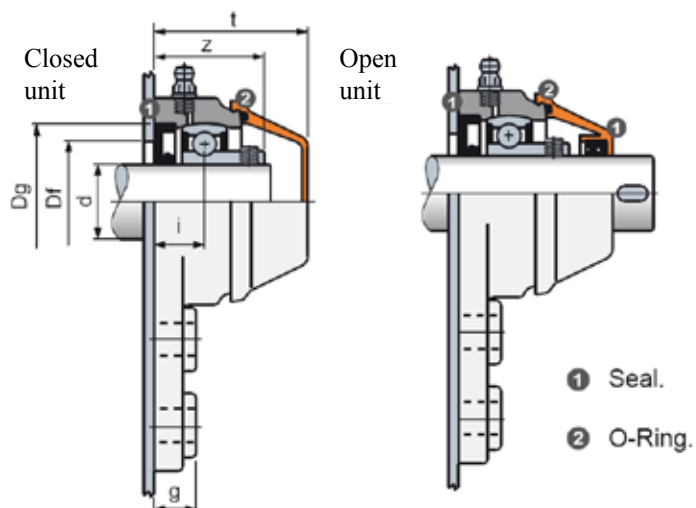
Hygiene

The sealing of the housing guarantees maximum hygiene

ISO dimensions

The overall dimensions can be interchanged with the corresponding cast iron type bearings

Mounted Bearings



3 bolt hole designs :



Shaft dia. d	a	b	c	p	e	f	s	g	i	z	t	Dg	Df		Brg load in lbs	
													Min	Max	Dyn.	Stat.
3/4"	4.89	2.71	3.54	1.81	1.63	1.13	0.43	0.55	0.65	1.37	1.93	1.85	1.58	1.77	2249	1394
1"	4.89	2.71	3.54	1.81	1.63	1.13	0.43	0.55	0.70	1.47	2.05	2.05	1.77	1.97	2429	1574
1-1/4"	5.46	3.20	3.85	2.06	1.87	1.25	0.43	0.55	0.79	1.67	2.17	2.44	1.97	2.36	3396	2249
1-1/2"	6.46	3.94	4.49	2.36	1.97	1.22	0.51	0.68	0.87	1.87	2.62	3.15	2.56	3.07	5083	3531

All dimensions are in inches.

Shaft dia. d	Bearings series with black reinforced polyamide housing		Bearings series with white polypropylene with solid flange.		Codes for closed covers c/w o'ring		Codes for open covers c/w seal and o'ring	
	Bearing units with seal and orange closed cover	Bearing units with seals and orange open cover	Bearing units with seal and orange closed cover	Bearing units with seals and orange open cover	Orange	Yellow	Orange	Yellow
3/4"	606213 (3)	606223 (3)	607293 (1)	607313 (1)	63519	609633	691622	609643
1"	691422N (3)	691442N (3)	-	-	63194	609653	691572	609663
1-1/4"	691432 (1)	691452 (1)	-	-	63154	609673	691582	609683
1-1/2"	606233 (2)	606243 (2)	-	-	600882	609713	691602	609723

(1,2,3) number in bracket indicates the bolt hole pattern.

Mounted Bearings

Pillow Block



PAFV polyamide housing

- Housing in reinforced polyamide PA FV resin (black)
- High quality ball bearing in chrome steel
- Protection cover in polypropylene PP (orange or yellow)
- Seal and O-Ring in NBR rubber (black)
- Ball type nickel plated brass greasing nipple
- Reinforcing bushings on mounting holes and washers in stainless steel AISI 304
- Stainless steel AISI 303 safety ring
- Bottom seal in PVC (black).

Continuous operating temperature

In air : -4 to + 140 °F (- 20 to + 60 ° C).

Maximum allowed misalignment: 2°.

Dessins

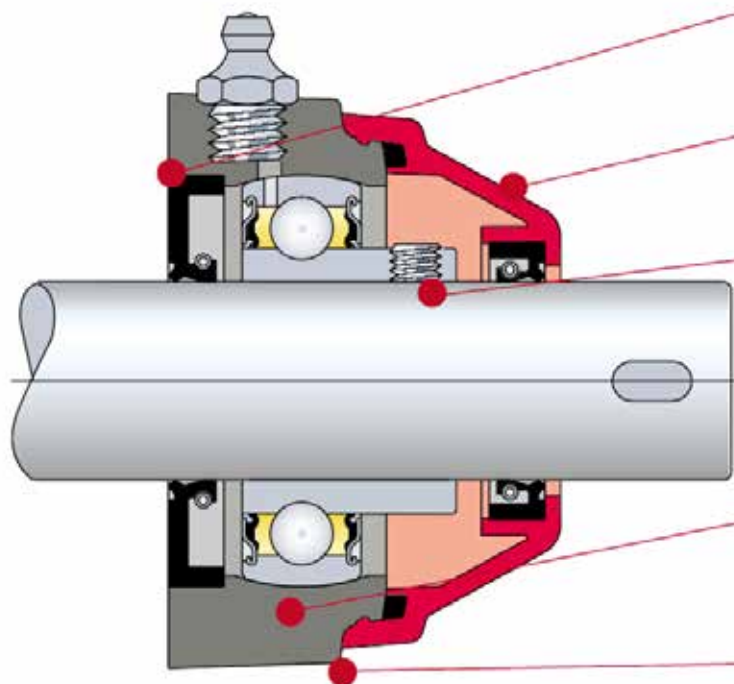
CAD Disponibles

CAD Drawings

Available

Communiquez avec CRS/VAMIC pour obtenir les dessins CAD des composantes, ou visitez www.crsvamic.ca

Contact CRS/VAMIC to obtain CAD drawings of components, or go to www.crsvamic.ca



Waterproof housing

The waterproof sealing system guarantees protection of the bearing from the external environment

Inspectable bearing

The clip - on protection cover can be removed for bearing inspection

Locking by grub screws



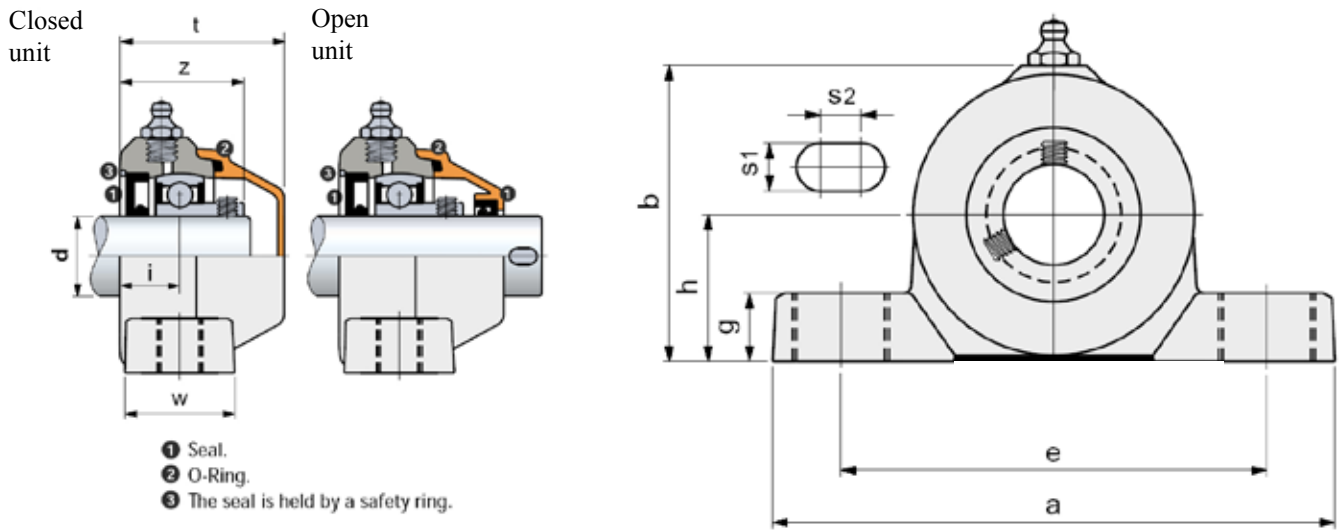
Hygiene

The sealing of the housing guarantees maximum hygiene

ISO dimensions

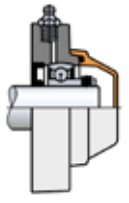
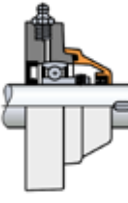

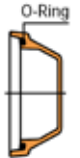
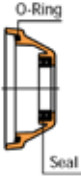

The overall dimensions can be interchanged with the corresponding cast iron type bearings

Mounted Bearings



Shaft dia. d	e	a	h	b	s1	s2	g	w	i	z	t	Brg load in lbs	
												Dyn.	Stat.
3/4"	3.780	5.039	1.311	2.638	0.472	0.394	0.669	1.181	0.744	1.465	1.957	2249	1394
25mm	4.173	5.512	1.437	2.953	0.472	0.394	0.669	1.358	0.740	1.508	2.028	2429	1574
1"	4.173	5.512	1.437	2.953	0.472	0.394	0.669	1.358	0.740	1.508	2.028	2429	1574
30mm	4.764	6.417	1.689	3.465	0.551	0.394	0.787	1.417	0.776	1.602	2.165	3396	2249
1-1/4"	4.764	6.417	1.689	3.465	0.551	0.394	0.787	1.417	0.776	1.602	2.165	3396	2249

All dimensions are in inches.

Shaft dia. d	Bearings series with black reinforced polyamide housing		Codes for closed covers c/w o'ring		Codes for open covers c/w seal and o'ring	
	Bearing units with seal and orange closed cover	Bearing units with seals and orange open cover	Orange	Yellow	Orange	Yellow
						
3/4"	691302	691342	63519	609633	691622	609643
25mm	646511	646521	63194	609653	691572	609663
1"	691312	691352	63194	609653	691572	609663
30mm	646531	646541	63154	609673	69965	-
1-1/4"	691322	691362	63154	609673	691582	609683

Low volume

Mounted Bearings

Tapped base pillow block



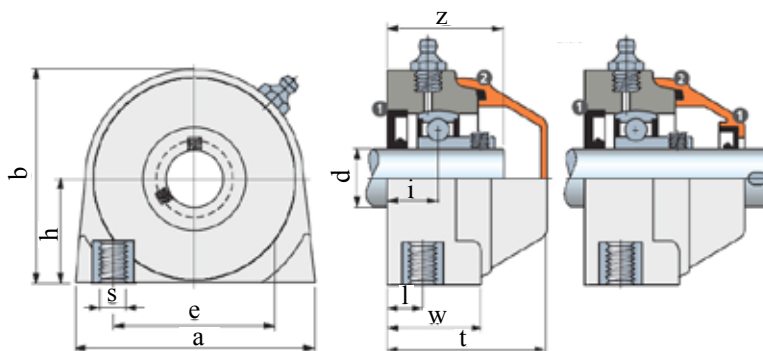
PAFV polyamide housing

- Housing in reinforced polyamide PA FV resin (black)
- High quality ball bearing in chrome steel
- Protection cover in polypropylene PP (orange or yellow)
- Seal and O-Ring in NBR rubber (black)
- Ball type nickel plated brass greasing nipple
- Bottom seal in PVC (black).

Continuous operating temperature

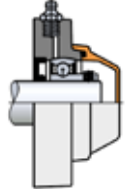
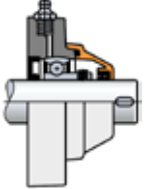


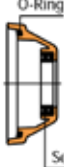
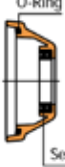
In air : -4 to + 140 °F (- 20 to + 60 ° C).

Maximum allowed misalignment: 2°.



Shaft dia. d	a	b	e	h	i	l	s	t	w	z	Brg load in lbs	
											Dyn.	Stat.
1"	2.95	2.83	2.00	1.44	0.66	0.47	M10	2.05	1.18	1.43	2429	1574

All dimensions are in inches.

Shaft dia. d	Bearings series with black reinforced polyamide housing		Codes for closed covers c/w o'ring		Codes for open covers c/w seal and o'ring	
	Bearing units with seal and orange closed cover	Bearing units with seals and orange open cover	Orange	Yellow	Orange	Yellow
						
1"	612343	612353	63194	609653	691572	609663

PAFV polyamide housing

- Housing in reinforced polyamide PA FV resin (black)
- High quality ball bearing in chrome steel
- Protection cover in polypropylene PP (orange or yellow)
- Seal and O-Ring in NBR rubber (black)
- Ball type nickel plated brass greasing nipple
- Bottom seal in PVC (black).

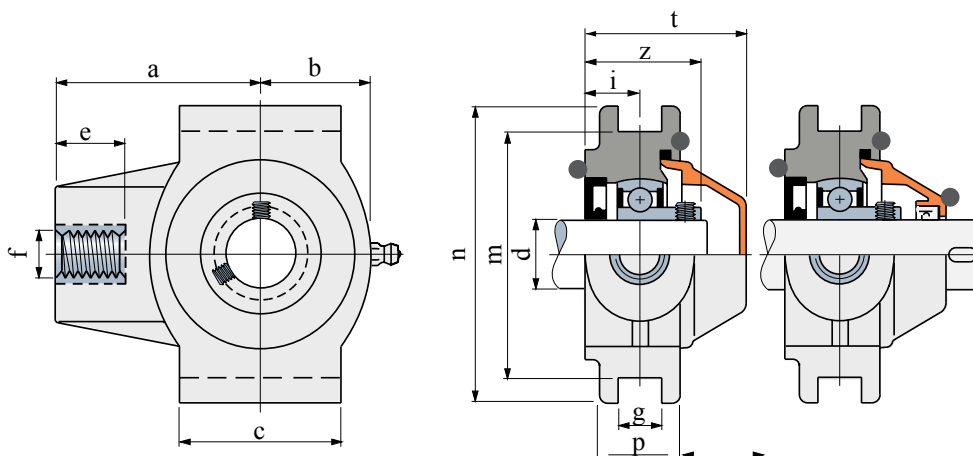
Continuous operating temperature

In air : -4 to + 140 °F (- 20 to + 60 ° C).

Maximum allowed misalignment: 2°.

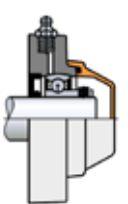
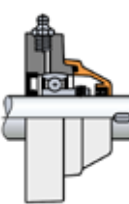

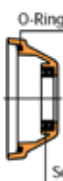
Mounted Bearings

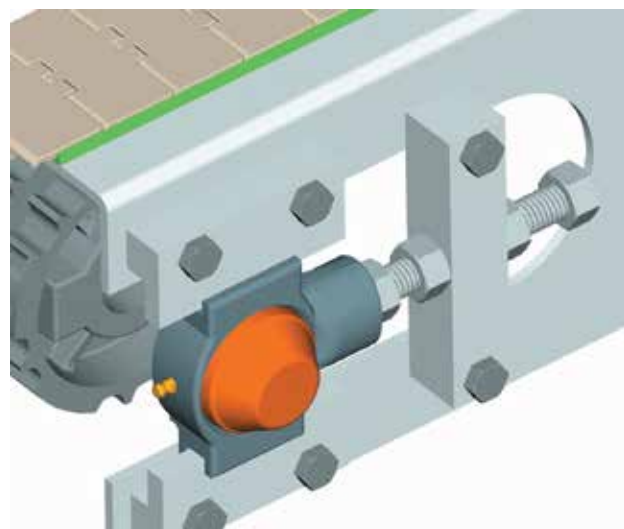
Take-up bearing



Shaft dia. d	a	b	c	e	f	g	i	m	n	p	t	z	Brg load in lbs	
													Dyn.	Stat.
1-1/4"	3.03	1.89	2.24	1.10	3/4" unc	0.53	0.73	3.50	4.09	1.10	2.17	1.56	3396	2249

All dimensions are in inches.

Shaft dia. d	Bearings series with black reinforced polyamide housing		Codes for closed covers c/w o'ring	Codes for open covers c/w seal and o'ring
	Bearing units with seal and orange closed cover	Bearing units with seals and orange open cover	Orange	Orange
				
1-1/4"	691502	691532	63154	691582



Low volume

Corrosion Resistant Mounted Bearings

White Thermoplastic Housing with Stainless Steel Bearing Insert

4 Bolt Flange



Standard Sizes Available	
Housing	Bore
UCF204	3/4"
UCF205	1"
UCF206	1-1/4"
UCF207	1-1/4"
UCF208	1-1/2"

2 Bolt Flange



Standard Sizes Available	
Housing	Bore
UCFL204	3/4"
UCFL205	1"
UCFL206	1-1/4"
UCFL208	1-1/2"

3 Bolt Flange



Standard Size Available	
Housing	Bore
UCFB205	1"

Pillow Block



Standard Sizes Available	
Housing	Bore
UCP204	3/4"
UCP205	1"
UCP206	1-1/4"
UCP207	1-1/4"
UCP208	1-1/2"

Housings are made with high-grade glass filled thermoplastic polyester and they are completely interchangeable with conventional cast iron housings. These maintenance free housings have excellent mechanical strength, stiffness and dimensional stability. Yet they never rust or corrode. Where high standards of cleanliness are important, such as in the food and foodhandling industries, their smooth surfaces are much more hygienic than those of cast iron housings whose rough surfaces can harbor objectionable dirt, mold or bacteria.

Inserts are 100% Stainless Steel manufactured from a select grade which has been carefully selected to meet optimal corrosion resistance, long bearing life, rust resistant to scratches and marks. Excellent for use in food processing, beverage, curative and other high-corrosive application.

AISI440C and AISI304 stainless steel used with food grease and nitrile rubber. -20°C to +120°C.

Contact CRS/VAMIC for availability and detailed specifications.

ACCESSORIES

Bearing Inserts



Standard Sizes Available	
Bearing size	Bore
UC204	3/4"
UC205	1"
UC206	1-1/4"
UC207	1-1/4"
UC208	1-1/2"

Caps



Standard Sizes Available	
Closed Cap	Open Cap
CC-204	OC-204-3/4
CC-205	OC-205-1
CC-206	OC-206-1-1/4
CC-207	OC-207-1-1/4
CC-208	OC-208-1-1/2

Corrosion Resistant Machined Bearings

White UHMW Housing with Insert

Machined UHMW housings combined with self lubricating inserts eliminate any possibility of rust. They also provide an inexpensive alternative for sanitary, washdown, and/or corrosive environments. Plastic housings will not chip, flake or rust like metal housings and are not subject to staining.



2, 3, or 4 bolt flange bearings with self align insert.



2, 3, or 4 bolt flange bearings with straight bore insert.

Excellent for low speed, low tension applications!

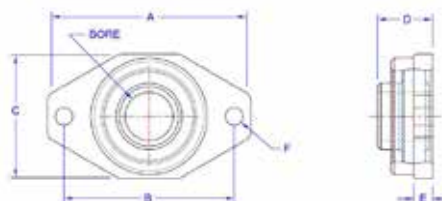


Pillow block bearings with self align insert.



Pillow block bearings with self align insert.

Contact CRS/VAMIC for complete details on specifications and availability



Mounting Instructions

- 1 - With waterproof bearings the rubber sealing units must be greased before mounting to avoid initial dry running on the shaft. The grease must fill only the space in between the two sealing lips.
- 2 - The bearing must be locked onto the shaft after the support mounting flange has been fully tightened. This is necessary to allow the bearing to assume its correct alignment on the shaft without undue axial stresses. Always tighten the screws diagonally (max. tightening couple for M10 screw = 50 Nm).



- 3 - Locking of the bearing by grub screws



- 6 - Assembly. The sealing unit of open end covers must be greased to avoid initial dry running on the shaft. The grease must fill only the space in between the two sealing lips.
- 7 - Removal. Insert a screw driver into the groove provided for and force the cover out.



Sanitary Hose Assemblies

Why choose ReSeal® ?

SANITARY...

In addition to the cost saving advantages through its reusable feature, ReSeal® meets the stringent sanitary requirements of all critical processing industries such as dairy, food, beverage, cosmetics, personal hygiene, cleaning aids and lab instrumentation.

Patented ReSeal® fittings meet 3-A sanitary standards - the highest in these critical processing industries. The precisely engineered full flow smooth bore and compression seal design ensures a 360° seal on the stem, hose and sleeve junction points, eliminating areas where material can accumulate and bacteria can grow.

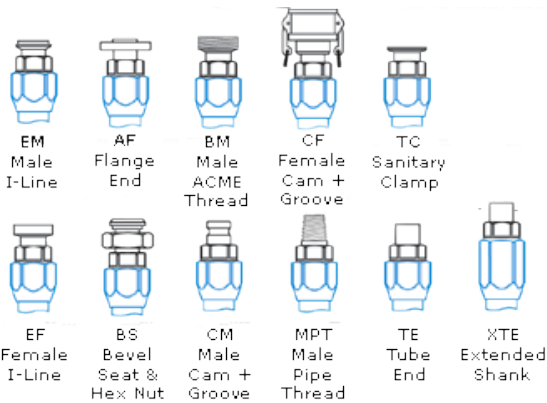


INSPECTABLE...

ReSeal® fittings are a maintenance crew and inspector's dream. They can be taken apart for easy thorough inspection, then reassembled, eliminating the need to cut up the whole hose assembly and throw away expensive stainless steel ends along with the hose!



ReSeal with HiTemp Polymer hose Sleeve



A wide variety of fittings available for your application.

CLEANABLE...

The faster you can clean a sanitary hose assembly, the faster you can restart your operation. ReSeal® fittings are designed for CIP (Clean-in-Place) convenience - no disassembly required. They are also suitable for SIP (Steam-in-Place), COP (Clean-out-of-Place) or autoclavable, depending on the hose applications.

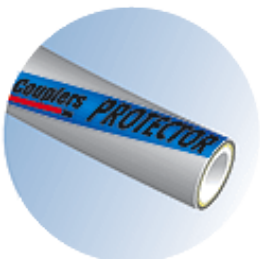
PermaCrimp®

PermaCrimp® fittings are available in many configurations to suit your production needs.

Permanent fittings are an economical option in temporary installations.



A hose for every application.



Suction Hose



Discharge Hose



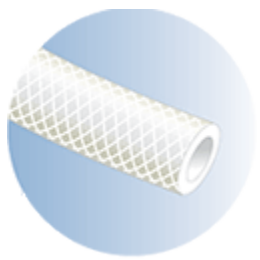
Chemical Resistant



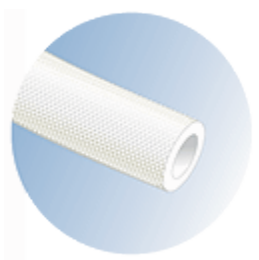
Crush Resistant



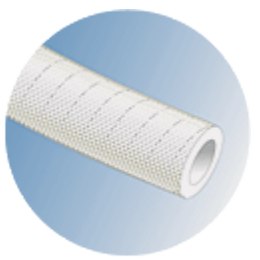
Brewery Hose



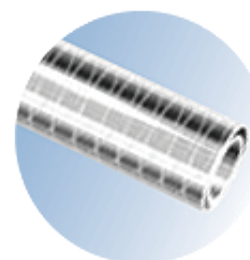
Single Ply Silicone



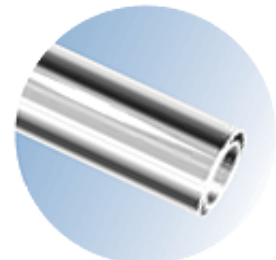
4 Ply Silicone



Wire Reinforced Silicone



PVC Reinforced



Clear PVC Tube

Silicone Hose

Class VI, 3A, FDA Silicone hose and fitting assemblies are available in a wide variety of sizes, lengths, fittings, shapes, supplied to your specifications. Heated hose assemblies also available.

Ideal for pharmaceutical, medical, food, beverage and industrial applications. A true problem solver.



Custom shapes available

Tygon® Tubing

Recognized as an integral and vital component of fluid transport systems, Saint-Gobain's Tygon® tubing delivers an uncompromising standard of consistent performance in numerous applications. It is offered in a broad range of products, each engineered to meet specific user needs, including resistance to chemicals, temperature fluctuations and abrasion, as well as high purity, pressure variability and long service life.

TYGON®
APPLICATION SPECIFIC TUBING
from Saint-Gobain Performance Plastics
DEHP Free Material

CRS/VAMIC, as a Tygon® tubing distributor, offers a variety of Tygon® DEHP Free tubing that are plasticizer free and have virtually no extractables. The chemical resistance is superior to most other clear, flexible plastic tubings. Disposal of Tygon® DEHP free tubing is safer than most other tubings. When properly incinerated, carbon dioxide and water are the only by-products produced.



Numerical Index

Part #	Page	Part #	Page	Part #	Page	Part #	Page	Part #	Page
020-CAP-B	24	600882	83,87	691352	89	969954	37	133-659352	79
020M-CAP-B	24	606213	87	691362	89	969971	37	133-659522	79
020R10	24	606223	87	691422N	87	970013	37	133-659562	79
020R10MB	24	606233	87	691432	87	970014	37	137-664741	70
020R12	24	606243	87	691442N	87	970032	37	142-65870	34
020R3MB	24	607293	87	691452	87	978521	38	153-684231N	55
020R5	24	607313	87	691502	91	978531	38	159-672972	23
020R5MB	24	609633	85,87,89,93	691532	91	978621	38	168-664751	68
020R8	24	609643	85,87,89,93	691572	83,85,87,89	978631	38	171-661242	81
020R8MB	24	609653	85,87,89,93	691582	83,85,87,89	978721	38	171-661392	81
212-3-516	24	609663	83,85,87,89	691592	85	978731	38	173-650551	74
212-5-38	24	609673	83,85,87,89	691602	83	978821	38	173-69332	74
212-5-38M	24	609683	83,85,87,89	691622	85,87,89	978831	38	174-646461	27
212-5-516	24	609693	85	693942	83	978921	38	174-646471	27
212-5-516J	24	609703	85	693952	83	978931	38	174-646481	27
212-8-516	24	609713	83,87	695812	85	978961	38	180-59191	73
212-9-516J	24	609723	83,87	695822	85	978971	38	180-59201	73
212-12-516J	24	612343	90	695832	85	61-50870	34	180-59221	73
624MB8X40	36	612353	90	695842	85	63-51370	58,59	182-54911	35
10158PL	17	630002	74	937303	40	73-62946	55	185-53081	33
10158PL-IS	17	630012	74	937313	40	82B-6683800	23	192-608683	33
37001	40	630022	75	941141	36	98-626012	75	198-664761	67
37101	40	630042	77	941191	36	98-626082	75	199-664771	68
44091	38	630052	79	941331	36	98-628802	75	210-600372	20
44191	38	630062	80	941341	36	98-673851	75	211-691201	22
44291	38	630082	81	941365	36	107-68200N	29	213-61261	22
44391	38	630212	75,76,79	941421	36	107S-643523	29	214-60111	21
44491	38	646511	89	941431	36	125-63908	55	214-60113	21
63154	83,85,87,89	646521	89	941521	36	128-609733	59	215-65976	19
63194	83,85,87,89	646531	89	941611	36	128-609743	59	216-60132	20
63519	85,87,89,93	646541	89	941615	36	128-609753	59	217-695132	19
63539	85	691002	83	942111	36	128-62640	58	224-59231	72
64184	32	691022	83	942121	36	128-62650	58	224-59241	72
64573	83	691032	83	942151	36	128-62660	59	224-59251	72
64623	83	691052	83	942221	36	128-62670	58	224-59261	72
65524	32	691142	85	942231	36	128-62680	58	224-61422	72
65624	29	691152	85	966226	37	128-62690	59	224-61432	72
68399	85	691162	85	966263	37	128-62890	59	224-61691	72
68409	85	691172	85	966346	37	128-63340	58	224-63051	72
68523	85	691182	85	966385	37	128-63350	58	224-661631	72
68533	85	691192	85	966476	37	133-627212	79	224-692791	72
69965	85,89	691202	85	966496	37	133-627232	79	224-692811	72
141141	36	691212	85	966498	37	133-627242	79	227-61931	34
141191	36	691302	89	969854	37	133-633272	79	241-63641	11
141425	36	691312	89	969893	37	133-654421	79	243-63701	11
141501	36	691322	89	969913	37	133-659242	79	255-685281	35
142121	36	691342	89	969953	37	133-659302	79	256-64561	35

Numerical Index

Part #	Page	Part #	Page	Part #	Page	Part #	Page	Part #	Page
256-64581	35	568-677312	56	815-663931	48	CV-101	16	CVR-12	7
260-66546	40	569-601092	57	815-663991	48	CV-106	16	CVR-13S	10
269-650321	74	569-677332	57	815-665411	48	CV-226	16	CVR-16	8
269-652421	74	580-603302	60	815-665451	48	CV-242	16	CVR-17S	10
269-652441	74	581-603322	61	815-665491	48	CV-298-PL	12	CVR-23	8
275-664151	21	599-613572	31	820-LF	43	CV-299-PL	16	CVR-29S	10
275-AL	21	612-10C	25	820-604386	49	CV-300	16	CVR-37S	9
275-BP	21	612-608453	25	820-611102	48	CV-364	13	CVR-55S	9
280-664781	67	612-608463	25	820-619132	49	CV-365	13	D2077	66
302-60852	36	612-611283	25	820-619142	49	CV-366	13	DD51-DD52R	39
303-60872	36	612-655072	25	820-619152	49	CV-367	13	LBP821/882	47
303-60912	36	612-655102	25	820-619162	49	CV-370	13	M2620-LBP	47
303-60922	36	612-655112	25	820-619172	49	CV-371	13	N12000HRP	46
303-60932	36	612-655122	25	820-655612	49	CV-372	13	N12000K1	46
303-60942	36	612-655132	25	820-661761	49	CV-380	15	N12000K2	46
323-652171	77	612-689842	25	820-662741	48	CV-381	15	N12000R	46
323-652191N	77	612-689872	25	820-662761	48	CV-384	15	N12000S	46
323-653071	77	612-692942	25	820-664391	48	CV-386	15	N92000R	17
323-653891N	77	613-632472	53	820-664411	48	CV-387	15	N92000S	17
323-658742	77	613-635142	53	820-665611	48	CV-390	12	P0540PW	66
323-658762	77	615-624272	69	820-665631	48	CV-391	12	P1540PW	66
323-679061N	77	617-613562	31	820-667331	48	CV-391D	12	R166SS10	71
337-67023	40	618-624312	69	820-688801	49	CV-392	12	R2016SS10	71,73
339-611063	26	619-624402	70	820-697091	48	CV-394	12	REU154012	66
339-68363	26	627-642112	76	880-Tab	44	CV-396D	12	REU154012B	66
339-68375	26	627-642132	76	880-617553	51	CV-410	14	REU154058	66
340-611043	27	632-647142	32	880-662171	51	CV-410T	14	SNDR-0750	15
340-68373	27	637-648372	32	880-663201	51	CV-411	14	SNDR-1000	15
340-68385	27	648-653112	30	880-663241	51	CV-412	14	UC-xxx	92
341-611073	26	652-653872	30	882-Tab	45	CV-413	14	UCF-xxx	92
341-68383	26	657-656692	53	882-LFTG	47	CV-415	14	UCFB-xxx	92
341-68395	26	657-656982	53	882-619072	52	CV-416	14	UCFL-xxx	92
341C-67215	26	657-657002	53	882-619082	52	CV-417	14	UCP-xxx	92
343-69703	26	657-657022	53	882-663601	52	CV-418	14		
344-69713	26	672-675582	57	902-656041	21	CV-420	14		
362-694331	11	672-675592	57	903-652071	20	CV-420PL	14		
372-61806	26	725-688762	32,35	903-654101	20	CV-420T	14		
479-653131	80	727-688902	54	903-654111	20	CV-421	14		
479-653161	80	728-688912	54	903-654121	20	CV-423	14		
479-659692	80	732-692352	28	905-655711	62	CV-430	15		
479-659792	80	732-692362	28	905-HW	62	CV-431	15		
479-659802	80	732-692372	28	BB0540	66	CV-508	13		
479-659972	80	732-MINI	28	BB1540	66	CV-861	14		
537-689231	60	736-695402	22	BP0824SS	64,66	CV-MTDD	18		
567-677322	56	739-695522	22	BP0824SS-flat	64,66	CVR-1.7-RIB	10		
567-688812	56	740-695532	22	C1061M	47	CVR-10	7		
568-601082	56	815-600000	48	C1516SS10	72	CVR-11S	10		

TERMES ET CONDITIONS DE VENTE

1. LIVRAISON

Le Vendeur livrera la marchandise dans les délais prévus, mais ne sera pas tenu responsable si la marchandise n'est pas livrée dans les délais prévus, pour quelque raison que ce soit. De plus, l'acceptation de la livraison par l'Acheteur de la marchandise vendue, constituera pour celui-ci une renonciation à toutes réclamations pour toutes pertes ou dommages résultant du retard de livraison;

Le Vendeur se réserve le droit de livrer la marchandise en un seul ou plusieurs envoi(s).

L'Acheteur devra aviser le Vendeur dans les dix(10) jours de la réception de la marchandise, de toute réclamation, tout dommage affectant la marchandise.

2. RISQUE DE PERTE

Toute marchandise sera vendue *E.X.W. au bureau du Vendeur, et l'Acheteur assume à compter de la disponibilité de la marchandise, la totalité du risque de perte, de vol et/ou de dommage à celle-ci quelle qu'en soit la cause. Aucune perte, vol et/ou dommage à la marchandise ne pourra affecter ou diminuer les obligations de l'Acheteur aux termes des présentes.

*incoterms 1990

3. DROIT DE PROPRIÉTÉ

Le Vendeur demeure propriétaire absolu de toutes marchandises vendues à l'Acheteur tant et aussi longtemps que lesdites marchandises n'ont pas été payées en entier par l'Acheteur et le titre de propriété desdites marchandises ne pourra être transféré à l'Acheteur que moyennant le paiement complet desdites marchandises.

Toute vente de marchandises à l'Acheteur ne lui confère qu'un titre de possession et ce tant et aussi longtemps que le prix d'achat n'a pas été payé.

4. PAIEMENT

A) Le paiement de la marchandise doit être effectué dans les 30 jours nets de sa livraison.

B) Des frais de 1.5% par mois (taux annuels de 18%) seront facturés sur tous les comptes passés dus.

5. RECOURS DU VENDEUR

Si l'Acheteur fait défaut d'effectuer un paiement quelconque dans les dix (10) jours de la date où celui-ci doit être effectué, est où devient insolvable ou fait cession au profit de ses créanciers au terme de la Loi de la faillite et l'insolvabilité avant le paiement complet des sommes dues, le Vendeur pourra:

- Sans demande ni avis à l'Acheteur, déclarer l'entier solde impayé immédiatement dû et exigible;
- Se présenter à la place d'affaires de l'Acheteur ou à tout autre endroit où se trouve la marchandise vendue et la reprendre.

6. RETOUR DE MARCHANDISE

Aucun retour de marchandise n'est permis sans l'autorisation du Vendeur, laquelle doit être obtenue dans les dix (10) jours de la livraison.

7. RESPONSABILITÉ

Le Vendeur ne peut être tenu responsable des pertes de profits, de contrats ou de quelques autres pertes résultant de la marchandise vendue, de son utilisation et/ou de son installation que ces pertes soient dues à la marchandise ou à son impossibilité de l'utiliser ou toute autre cause.

8. GARANTIES

Tout défaut affectant la marchandise est garantie par le manufacturier et la responsabilité du vendeur est limitée à la garantie du manufacturier délivrée à l'égard de ladite marchandise. Toutefois, la garantie deviendra nulle si la marchandise a fait l'objet d'un usage abusif et/ou d'une installation inappropriée.

9. LOI EN VIGUEUR

Ce contrat doit être analysé et les droits respectifs de chacune des parties doivent être précisés conformément aux lois de la Province de Québec.

10. ÉLECTION DE DOMICILE

L'Acheteur convient que tout litige concernant les présentes devra être soumis aux tribunaux du district de Montréal.

TERMS AND CONDITIONS OF SALE

1. DELIVERY

a) Seller shall deliver the goods within the prescribed timeframe, but shall not be liable if, for any reason, the goods are not delivered within the prescribed timeframe. Moreover, acceptance of delivery by Buyer of the goods sold shall create for Buyer a Waiver of any claims for loss or damage resulting from late delivery;

b) Seller reserves the right to deliver the goods in one or more shipments;

c) Buyer shall advise Seller within ten(10) days of receipt of the goods of any claim or damage affecting the goods.

2. RISK OF LOSS

All goods are sold *E.X.W. at the Seller's office and upon availability of the goods, Buyer assumes full risk of loss, theft and/or damage to the goods, Whatever the cause. No loss or theft of and/or damage to the goods shall affect or diminish the obligations of Buyer hereunder.

*Incoterms 1990

3. RIGHT OF OWNERSHIP

Seller shall remain the absolute owner of all goods sold to buyer until payment in full by Buyer and title of ownership of the goods shall only pass to Buyer upon payment in full for said goods.

Any sale of goods to buyer only confers title of possession upon buyer until payment of the purchase price.

4. PAYMENT

a) Payment for the goods shall be made within 30 days net of delivery;

b) Charges of 1.5% per month (annual rate of 18%) shall be billed on all past due accounts.

5. REMEDY OF SELLER

If Buyer fails to make any payment within ten (10) days of the date on which said payment must be made, is or becomes insolvent, or makes an assignment to the benefit of its creditors under the Bankruptcy and Insolvency Act before payment in full of the sums due, Seller may:

- without request or notice to Buyers, declare the full unpaid balance immediately due and payable;
- present itself at Buyer's place of business or any other location where the goods sold are located and repossess them.

6. RETURN OF GOODS

No return of goods shall be permitted without Seller's authorisation, which must be obtained within ten (10) days of delivery.

7. LIABILITY

Seller shall not be liable for any loss of profits, contracts or any other loss resulting from the goods sold, their use and/or installations whether said loss is due to the goods proper or the impossibility of using them, or any other cause.

8. WARRANTIES

Any defect affecting the goods is warranted by the manufacturer and Seller's liability is limited to the manufacturer's warranty delivered in respect of said goods. The warranty shall, however, become null and void if the goods are the objects of misuse or faulty installation.

9. GOVERNING LAW

This contract shall be analysed and the respective rights of each of the parties shall be stated in accordance with the laws of the Province of Quebec.

10. ELECTION OF DOMICILE

Buyer agrees that any dispute in respect of this Agreement shall be submitted to the courts of the district of Montreal.