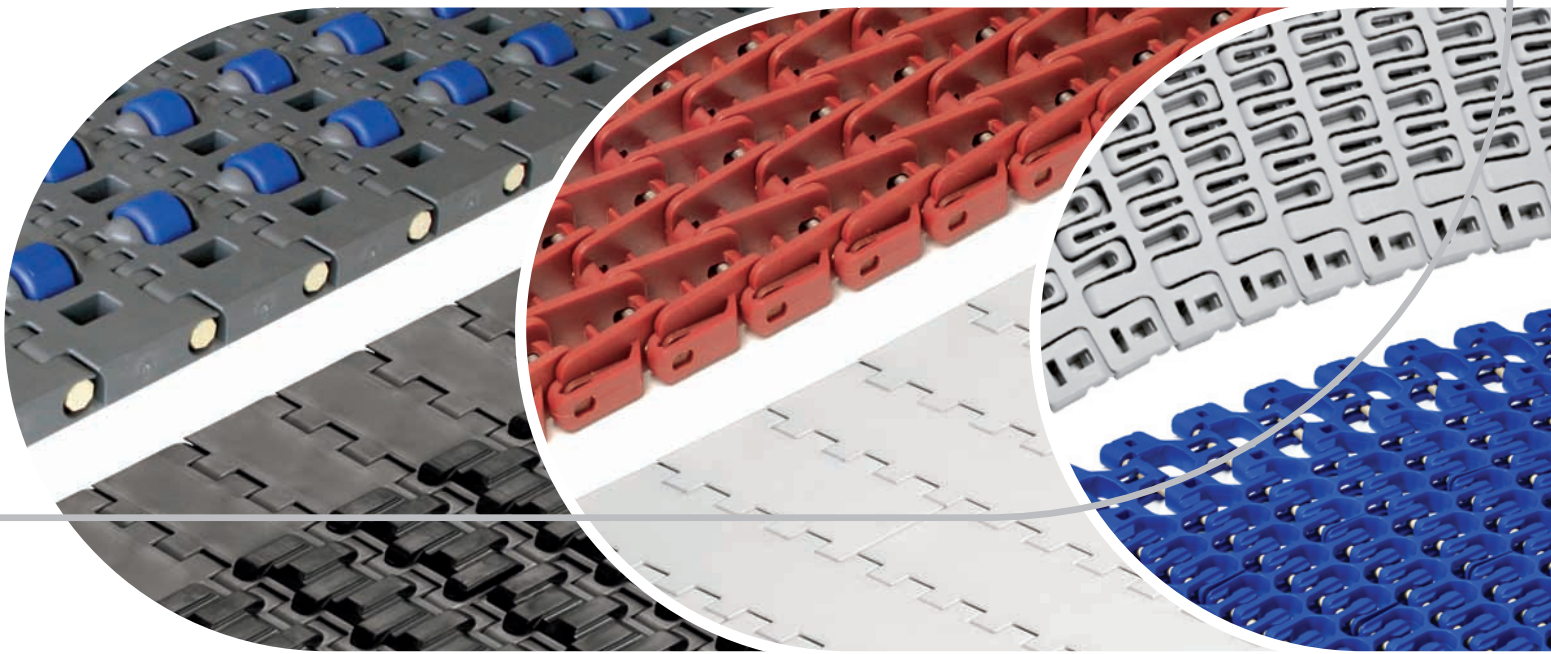


Habasit Plastic Modular Belts

Product Guide

Habasit—Solutions in motion



Product liability, application considerations

If the proper selection and application of Habasit products are NOT recommended by an authorized Habasit sales specialist, the selection and application of Habasit products, including the related area of product safety, are the responsibility of the customer.

All indications / information are recommendations and believed to be reliable, but no representations, guarantees, or warranties of any kind are made as to their accuracy or suitability for particular applications. The data provided herein are based on laboratory work with small-scale test equipment, running at standard conditions, and do not necessarily match product performance in industrial use. New knowledge and experiences can lead to modifications and changes within a short time without prior notice.

BECAUSE CONDITIONS OF USE ARE OUTSIDE OF HABASIT'S AND ITS AFFILIATED COMPANIES CONTROL, WE CANNOT ASSUME ANY LIABILITY CONCERNING THE SUITABILITY AND PROCESS ABILITY OF THE PRODUCTS MENTIONED HEREIN. THIS ALSO APPLIES TO PROCESS RESULTS / OUTPUT / MANUFACTURING GOODS AS WELL AS TO POSSIBLE DEFECTS, DAMAGES, CONSEQUENTIAL DAMAGES, AND FURTHER-REACHING CONSEQUENCES.

WARNING

Habasit belts and chains are made of various plastics that WILL BURN if exposed to sparks, incendiaries, open flame or excessive heat. NEVER expose plastic belts and chains to a potential source of ignition. Flames resulting from burning plastics may emit TOXIC SMOKE and gasses as well as cause SERIOUS INJURIES and PROPERTY DAMAGE. See the Fire Hazard Data Sheet for additional information.

Introduction

The Habasit Solution	7
Getting Started – Belt Selection Criteria	9

Product information



0.3" Pitch Belting	11
1/2" Pitch Belting	14
3/4" Pitch Belting	41
1" Pitch Belting	47
1.1" Pitch Belting	138
1-1/5" Pitch Belting	143
1-1/2" Pitch Belting	146
1-3/4" Pitch Belting	172
2" Pitch Belting	175
2-1/2" Pitch Belting	264

Material Properties

Standard Belt Materials	276
Special Belt Materials	277
Materials for Sprockets	282
Materials for Wearstrips and Guides	283
Chemical Resistance	284

Product Information

Product Information – 0.3" Pitch Belting

HabasitLINK® Series M0870 (Straight Belts)

M0870 Flat Top 0.3"	11
---------------------	----

Sprocket Information

Sprocket Series M0870	12
-----------------------	----

Product Information - 1/2" Pitch Belting

HabasitLINK® Series M1100 (Straight Belts)

M1185 Flush Grid 0.5"	14
-----------------------	----

Sprocket Information

Sprocket Series M1100	15
-----------------------	----

HabasitLINK® Series M1200 (Straight Belts)

M1220 Flat Top 0.5"	18
M1220 GripTop 0.5"	19
M1220 HighGrip-L 0.5"	20
M1230 Flush Grid 0.5"	21
M1233 Flush Grid 0.5"	22
M1234 Nub Top Flush Grid 0.5"	23

Sprocket Information

Sprocket Series M1200	24
-----------------------	----

Accessory Information

Accessories for Series M1200	28
------------------------------	----

KVP® Series SM/CM605 (Straight Belts)

SM605 (Smooth Mesh)	30
CM605 (Curved Mesh)	31

Sprocket Information

Sprocket Series SM605 / CM605	32
-------------------------------	----

KVP® Series HDS605 (Straight Belts)

HDS605 ST (HDS Solid Top)	33
HDS605 TT (HDS Texture Top)	34

Sprocket Information

Sprocket Series HDS605 ST / HDS605 TT	35
---------------------------------------	----

KVP® Series PW605 (Straight Belts)

PW605 (Wire replacement)	36
--------------------------	----

Sprocket Information

Sprocket Series PW605	37
-----------------------	----

KVP® Series RS501/505 (Radius Belts)

RS501 (Tight Radius Flat Top)	38
RS505 (Tight Radius Curved Top)	39

Sprocket Information

Sprocket Series RS501/RS505	40
-----------------------------	----

Product Information - 3/4" Pitch Belting

KVP® Series 106 (Straight Belts)

106 CL (106 Closed)	41
106 10 (106 10% Open)	42
106 22 (106 22% Open)	43
106 RT (106 Rough Top)	44
106 V (Vacuum)	45

Sprocket Information

Sprocket Series 106	46
---------------------	----

Product Information - 1" Pitch Belting

HabasitLINK® Series M2400 (Straight Belts)

M2420 Flat Top 1"	47
M2470 Flat Top 1"	48
M2470 GripTop 1"	49
M2472 Perforated Flat Top 1"	50
M2480 Flush Grid 1"	51

Sprocket Information

Sprocket Series M2400	52
-----------------------	----

HabasitLINK® Series M2500 (Straight Belts)

M2510 Flat Top 1"	56
M2511 Mesh Top 1"	57
M2514 Nub Top 1"	58
M2516 Diamond Top 1"	59
M2520 Flat Top 1"	60
M2520 GripTop 1"	62
M2520 Roller Top 1"	63
M2527 Minirib 1"	65
M2531 Raised Rib 1"	66
M2533 Flush Grid 1"	67
M2533 GripTop 1"	69
M2533 Roller Top 1"	70
M2585 Flush Grid 1"	72
M2586 Raised Rib 1"	74

HabasitLINK® Series M2500 (Radius Belts)

M2540 Radius Flush Grid 1"	75
M2540 Radius Flush Grid 1" MTW	77
M2540 Radius GripTop 1"	79
M2540 Roller Top 1"	81
M2544 Tight Radius 1"	83
M2544 Tight Radius 1" MTW	85

Sprocket Information

Sprocket Series M2500	87
Sprocket Series M2500-C2 (M2585/86)	93

Accessory Information

Accessories for Series M2500	96
------------------------------	----

HabasitLINK® Series M2600 (Straight Belts)

M2620 Flat Top Heavy Duty 1"	105
M2620 GripTop 1"	107
M2620 Roller Top - LBP 1"	109
M2623 Non Slip 1"	110
M2670 Flat Top Heavy Duty 1"	111
M2670 Flat Top Heavy Duty 1" MTW	112

Sprocket Information

Sprocket Series M2600	114
-----------------------	-----

KVP® Series IS610/CT610/RR 610 (Straight Belts)

IS610-S (All-In-One)	118
CT610-S (All-In-One Curved Top)	119
RR610 (All-In-One Rib Top)	120
IS610 TP (Traction Pro)	121

KVP® Series IS610/CT610 (Radius Belts)

IS610-R (All-In-One)	122
CT610-R (All-In-One Curved Top)	123

Sprocket Information

Sprockets Series IS610, CT610, RR610, IS610 TP	124
------------------------------------------------	-----

KVP® Series ST610/VT610 (Straight Belts)

ST610 (Solid Top)	125
VT610 (Vented Top)	126

Sprocket Information

Sprocket Series ST610 / VT610	127
-------------------------------	-----

KVP® Series HDS610 (Straight Belts)

HDS610 ST (Solid Top)	128
HDS610 CVT (Curved Vented Top)	129

Sprocket Information

Sprocket Series HDS610 ST / HDS610 CVT	130
----------------------------------------	-----

KVP® Series 208 (Straight Belts)

208 CL (208 Closed)	131
208 35 (208 35% Open)	132
208 RR (208 Raised Rib)	133

Sprocket Information

Sprocket Series 208 CL, 208 35, 208 RR	134
----------------------------------------	-----

KVP® Series MB610 (Straight Belts)

MB610 (Monster Belt)	135
MB610 MTW (Monster Belt Mold to Width)	136

Sprocket Information

Sprocket Series MB610 / MB610 MTW	137
-----------------------------------	-----

Product Information – 1.1" Pitch Belting

KVP® Series F50 (Straight Belts)

F51 (1/2" x 1" Flat Wire)	138
F52 (1/2" x 1/2" Flat Wire)	139
F53 (1/2" x 1/2" Raised Rib Flat Wire)	140
F54 (1" x 1" Flat Wire)	141

Sprocket Information

Sprocket Series F51, F52, F53, F54	142
------------------------------------	-----

Product Information – 1-1/5" Pitch Belting

KVP® Series PR612 (Radius Belts)

PR612 1.6	143
PR612 2.2	144

Sprocket Information

Sprocket Series PR612	145
-----------------------	-----

Product Information – 1-1/2" Pitch Belting

HabasitLINK® Series M3800 (Radius Belts)

M3840 Radius Flush Grid 1.5"	146
M3840 Roller Top 1.5"	148
M3843 Tight Radius 1.5"	150
M3843 Tight Radius GripTop 1.5"	152
M3892 Raised Deck 1.5"	154

Sprocket Information

Sprocket Series M3800	156
-----------------------	-----

Accessory Information

Accessories for Series M3800	160
------------------------------	-----

KVP® Series SP615/IS615 (Straight Belts)

SP615 (All-In-One)	165
IS615-S (All-In-One)	166

KVP® Series IS615 (Radius Belts)

IS615-R (All-In-One)	167
----------------------	-----

Sprocket Information

Sprocket Series SP615 / IS 615	168
--------------------------------	-----

KVP® Series ST615/VT615 (Straight Belts)

ST615 (Solid Top)	169
VT615 (Vented Top)	170

Sprocket Information

Sprocket Series ST615 / VT615	171
-------------------------------	-----

Product Information – 1-3/4" Pitch Belting

KVP® Series CC41/42 (Straight Belts)

CC41 (Constant Cleaning Solid Top)	172
CC42 Constant Cleaning Vented Top)	173

Sprocket Information

Sprocket Series CC41 and CC42	174
-------------------------------	-----

Product Information – 2" Pitch Belting

HabasitLINK® Series M5000 (Straight Belts)

M5010 Flat Top 2"	175
M5010 Roller Top 2"	177
M5011 Perforated Flat Top 2"	179
M5013 Cone Top 2"	181
M5014 Nub Top 2"	182
M5015 Flat Top 2"	183
M5015 GripTop 2"	185
M5020 Flat Top Heavy Duty 2"	187
M5021 Perforated Flat Top 2"	188
M5023 Non Slip 2"	189
M5032 Flush Grid Heavy Duty 2"	190
M5032 Roller Top 2"	191
M5032 Roller Top - 0° 2"	193
M5032 Roller Top - 45° 2"	194
M5032 Roller Top - 90° 2"	195
M5033 Flush Grid 2"	196
M5033 Roller Top 2"	197
M5060 Flat Top 2"	199
M5064 Nub Top 2"	201
M5065 Flat Top 2" HyCLEAN	203
M5067 Minirib 2"	204

Sprocket Information

Sprocket Series M5000	206
-----------------------	-----

Accessory Information

Accessories for Series M5000	215
------------------------------	-----

HabasitLINK® Series M5100 (Straight Belts)

M5131 Raised Rib 2"	221
M5182 Roller Top – 90° 2"	222

Sprocket Information

Sprocket Series M5100	223
-----------------------	-----

Accessory Information

Combs for M5131	227
-----------------	-----

HabasitLINK® Series M5200 (Radius Belts)

M5290 Radius Flush Grid 2"	228
M5293 Tight Radius 2"	230

Sprocket Information

Sprocket Series M5200	232
-----------------------	-----

KVP® Series SP620/IS620 (Straight Belts)

SP620 (All-In-One)	235
IS620-S (All-In-One)	236
SE620 (Straight Edge)	237

KVP® Series IS620 (Radius Belts)	
IS620-R (All-In-One)	238
Sprocket Information	
Sprocket Series SP620 / IS620 / SE620	239
KVP® Series HDS620 (Straight Belts)	
HDS620 (Heavy Duty)	240
HDSCT620 (Heavy Duty Curved Top)	241
HDSEZR620 (Heavy Duty Easy Release)	242
HDSVT620 (Heavy Duty Vented Top)	243
Sprocket Information	
Sprocket Series	
HDS620, HDSCT620, HDSVT620, HDSEZR620	244
KVP® Series HDU620 (Straight Belts)	
HDU620 ST (Solid Top)	245
HDU620 VT (Vented Top)	246
HDU620 CT (Curved Top)	247
HDU620 EZR (Easy Release)	248
Sprocket Information	
Sprocket Series HDU620 ST-VT-CT-EZR	249
KVP® Series FF620 (Straight Belts)	
FF620 (Fluid-Flo)	250
FF620 WR (Fluid-Flo with Ribs)	251
FF620 MC (Fluid-Flo with Mini-Cleat)	252
Sprocket Information	
Sprocket Series FF620, FF620 WR, FF620 MC	253
KVP® Series MB620 (Straight Belts)	
MB620 ST (Monster Belt Solid Top)	254
MB620 VT (Monster Belt Vent Top)	255
MB620 TT (Monster Belt Tread Top)	256
Sprocket Information	
Sprocket Series	
MB620 ST, MB620 VT, MB620 TT	257
KVP® Series 416 (Straight Belts)	
416 CLIB (416 Closed Impact Bar)	258
Sprocket Information	
Sprocket Series 416 CLIB	259
KVP® Series PR620 (Radius Belts)	
PR620 (Spiral Pro)	260
PR620 SPS (Spiral Pro - Small Product Surface)	261
PR620 TTR (Spiral Pro - Tight Turn Radius)	262
Sprocket Information	
Sprocket Series PR620, PR620 SPS	263

Product Information – 2-1/2” Pitch Belting

HabasitLINK® Series M6300 (Straight Belts)	
M6360 Flat Top 2.5”	264
Sprocket Information	
Sprocket Series M6300	265
Accessory Information	
Accessories for Series M6300	267
HabasitLINK® Series M6400 (Straight Belts)	
M6420 Flat Top Heavy Duty 2.5”	268
M6423 Non Slip 2.5”	270
M6424 Non Slip Perforated 2.5”	271
M6425 Reel Top 2.5” MTW	272
Sprocket Information	
Sprocket Series M6400	273

Spiral Belting

Habasit offers a wide range of KVP® and HabasitLINK® spiral belts. Find detailed product information for spiral belts on www.plasticmodularbelts.com, in the brochure **4165 Habasit Spiral Belts – Product Overview** or on the Product Data Sheets.

Please contact your local partner for further information.

At Habasit, we listen to our customers, innovate continuously and deliver reliable solutions to meet your every need.

Customers come first

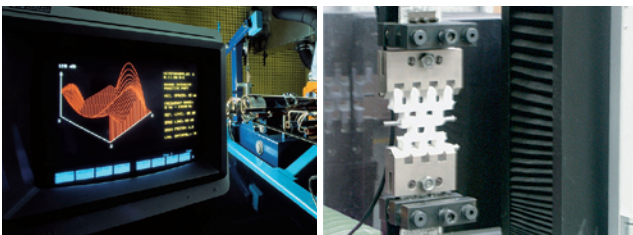
At Habasit we understand that our success depends on your success. This is why we offer solutions, not just products; partnership, not just sales.

Since our foundation in 1946, Habasit has brought this understanding of customer needs to life every day and for every application. That's why we're the No. 1 in belting today. Worldwide.



Committed to innovation

Habasit is strongly committed to the continuous development of innovative, value-added solutions. Over 3% of our staff are dedicated exclusively to R&D, and our annual investment in this area exceeds 8% of turnover.



Certified for quality

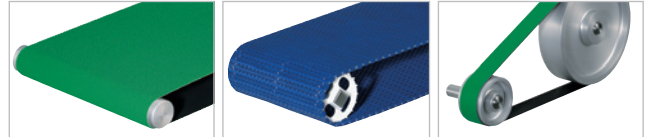
We deliver the highest quality standards not only in our products and solutions, but also in our employees' daily work processes. Habasit AG is certified according to ISO 9001:2000.



Worldwide leading product range

Habasit offers the largest selection of belting, conveying, processing and complementary products in the industry. Our response to any request is nothing less than a specific, tailor-made solution.

A selection of our product ranges:



HabaFLOW®
Fabric based conveyor and processing belts

HabasitLINK® & KVP®
Plastic modular belts

HabaDRIVE®
Power transmission belts



HabaSYNC®
Timing belts

HabaCHAIN®
Chains (slat and conveyor chains)

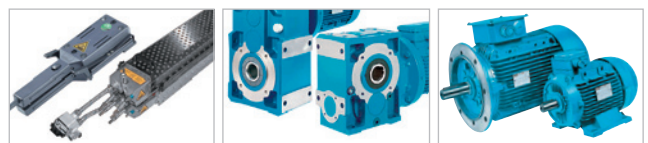
HabiPLAST®
Profiles, guides, wear strips



Machine tapes

Seamless belts

Round belts



Fabrication tools (joining tools)

Gear reducers, gearmotors, motion control

Electric motors

Worldwide support

Our extensive organization is ready to support you anywhere in the world. Engineering and emergency assistance, quotes and order status are just a phone call away. Wherever you are. Whenever you need us.

For additional information please visit: www.habasit.com

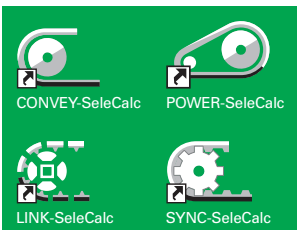
Comprehensive services are central to Habasit's belting solution approach.

As committed partners to our customers, we are dedicated to sharing our knowledge and to providing full support.



Comprehensive consulting and technical support

Habasit offers the best consulting and technical support on the belting market. Everything revolves around our customers. Each affiliate has its own belting experts. The Habasit team proudly provides the highest levels of support and top quality products enjoyed by the global market for over 60 years.



Assistance with belt selection and calculation

We will select and calculate the most suitable belt for your specific application. You also may do this yourself with our state-of-the-art Habasit selection and calculation program "SeleCalc". To order this program free of charge, simply call your nearest Habasit partner or contact: info@habasit.com.



Fabrication, assembly and local installation services for quick reaction times

We make belts endless or assemble modular belts or chains, either at our own locations or on-site directly on your machine or system. Habasit operates 33 affiliated companies worldwide, each with its own inventory, fabrication, assembly and service facilities. Together with our representative offices and numerous qualified distributors, we can react quickly, competently and reliably to satisfy all your demands.



Customer training programs

Habasit offers training programs and provides support tools to ensure optimal use of our products and to prolong their lifecycles. Training on fabrication, installation, assembly, maintenance and belt repair takes place at Habasit sites or at your location.



Belt monitoring, inspections, analyses and process optimization proposals

We organize and handle belt maintenance, inspections, analyses and surveys for your locations. On request we will also work with you to develop optimization proposals, e.g. to achieve added value from the machinery or process output.



Design assistance for customized solutions

Habasit believes in partnership. Our engineering team will work closely with your engineers on joint design developments, preferably from a very early stage. We particularly recommend this for projects involving new technologies or large-scale modifications and adaptations.

What do you need to know to select a belt style? Why are there so many different belts available? Below we have outlined a few things to think about when selecting a belt style. Always try to match the belt style to your products. Refer to other areas of the catalog for specific belt information or conveyor design guidelines.

Belt path

When you need to move product in a straight line, you would generally use a straight running belt. If you need to move your product in turns, you would use a turning belt. Straight running belts will generally take higher loads than turning belts.

Our turning belts are called “radius” belts. Other manufacturers refer to them as side flexing belts. In either case, these allow you to have a conveyor that goes around a turn to avoid equipment, conform to the shape of your production area, or minimize transfers. Product remains properly orientated while on the belt. Radius belts will operate in both straight and radius applications. Radius belts will also decrease the amount of drives for certain applications.

Belt surface

The top surface of the belt is what your product comes in contact with and can have an effect on your product. If your product is soft, the belt surface could be imprinted on the bottom of your product during the freezing, cooking or cooling stages. If your product is hard, the footprint does not affect the product.

If your product is sticky, you may want to choose a belt surface with reduced contact area and/or a material that offers high release characteristics such as ethylene or acetal.

Some belts have openings to allow for air or fluid flow in applications such as cooling, washing, sanitizing, sizing, sorting, removal of “fines”, etc.

Curved top belt styles allow continuous contact of a scraper to maximize product removal and gives tighter transfer of product to a deadplate of another conveyor.

Some belts have a raised rib surface and are used with a finger transfer plate. These “fingers” fit between the ribs and as the belt moves, the finger transfer plate lifts the product from the belt.

Belt accessories

Many belts have accessories such as rollers (for product accumulation or acceleration), ribs or flights

(to contain product on incline/declines), side plates (to keep material from falling off), high friction inserts (to keep product from slipping), and hold down tabs (to keep the belt from rising up in turns). You may have to decide if the belt you choose offers the options you want.

Cleanability

Belts used in food application need to be easy to clean and comply with certain regulatory requirements. You will need to determine if the belt you choose meets the cleaning requirements for your application.

Belt pitch

Belts come in various pitches (belt pitch: center of pin to center of pin). Smaller pitch belts generally run smoother, faster and allow tighter transfers. Larger pitch belts generally will take larger loads, more impact and longer runs.

Belt color

Most belts are available in the industry accepted standard colors. Additional colors are available, but may incur additional charges and longer lead-time.

Belt material

There are many environmental factors that may affect the performance of a conveyor belt. Some of these are:

- higher or low temperatures may reduce the belt strength and affect impact strength
- ovens may melt or dry out certain materials
- heavy impacts are not achievable with certain materials
- immersion in water can cause materials to swell
- cleaning chemicals or solutions can harm belting
- abrasive materials can wear out belting prematurely
- material additives can make a belt material so it can be detected by a metal detector

Therefore, it is very important to pick the right material for the right application. Use charts showing material characteristics and chemical resistance.

Pins / Rods

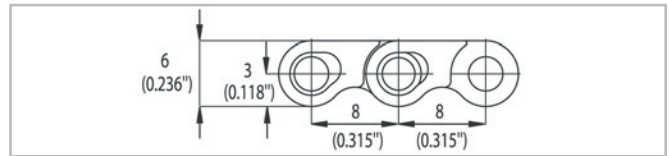
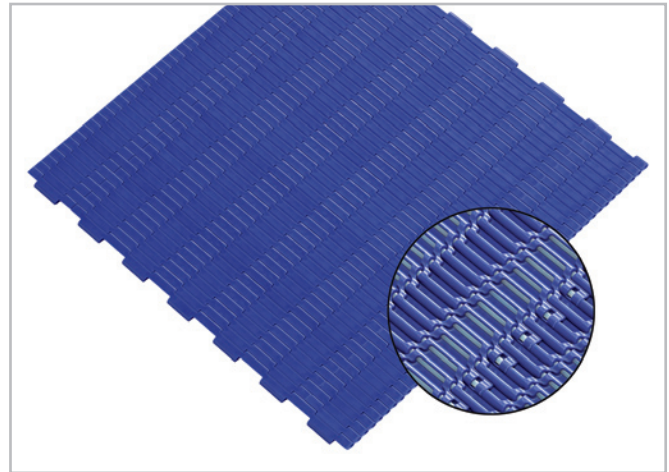
Our belts are connected with connection rods or pins. These pins are made from plastic or stainless steel material, and they are subject to the same environmental conditions.

▲ Belts must not be exposed to direct heat or flames.

HabasitLINK® Straight 0.3" Pitch Belting M0870 Micropitch Flat Top 0.3"

Description

- 0% open area
- Solid plate
- Imperial belt width
- Dynamic open hinge, easy to clean
- Rod diameter 3 mm (0.12")
- Nosebar diameter 7 mm (0.28")
- Snap Fit rod retaining system
- Food approved materials



Belt data

Belt material		POM	
Rod material		PA	
Nominal tensile strength F_N^1 straight run	N/m lb/ft	2000 137	
Temperature range	°C °F	-40 - 93 -40 - 200	
Belt weight m_B	kg/m ² lb/sqft	5.3 1.09	

Diameter of idling rollers (minimum)		Diameter of support rollers (minimum)		Diameter for gravity take-up and center drive rollers (minimum)	
mm	inch	mm	inch	mm	inch
7	0.28	50	2	50	2

Standard range of belt widths b_0

mm (nom.)	305	609	914	1219	1524	etc.
inch (nom.)	12	24	36	48	60	etc.

Real belt widths are in most cases 0.1% to 0.3% smaller.

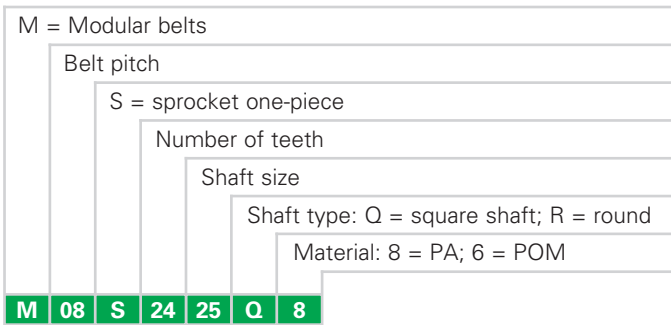
Standard belt widths in increments 4.0" (101.6 mm). Non-standard widths are offered in increments of 2.0" (50.8 mm). Please check the correct sprocket position with your local contact. Smallest possible width 4.0" (101.6 mm).

For detailed material properties refer to pages 276 - 281 or contact your Habasit representative.

The nominal tensile strength is valid for 23 °C (73 °F). The admissible tensile force depends on the operating temperature near the drive sprockets. Within the temperature range allowed, the admissible tensile force may vary from 100% to 20% of the nominal tensile strength. For detailed information and correct calculation of effective tensile force refer to the Calculation Guide in the HabasitLINK® Engineering Guidelines.

HabasitLINK® Sprockets - 0.3" Pitch Belting

Sprocket Series M0870



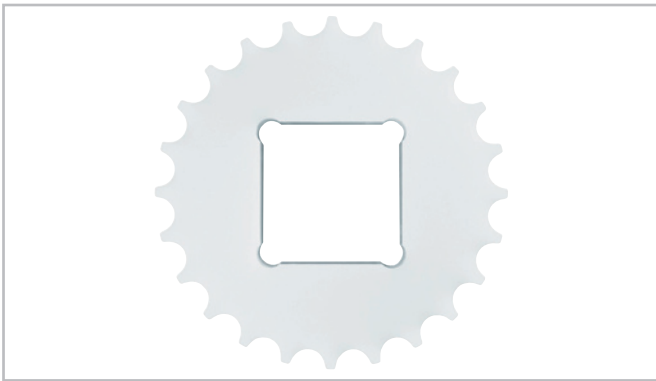
Sprocket availability

Type	Number of teeth	Diam. of pitch $\varnothing d_p A_1$				Hub width B_L		Square bore Q		Ø Round bore R		Standard material
		mm	inch	mm	inch	mm	inch	mm	inch	mm	inch	
S-C1	24	61.8	2.43	27.9	1.10	25	1	25	1	25	1	POM
S-C1	36	92.6	3.65	43.3	1.70	25	1	40	1.5	40	1.5	POM

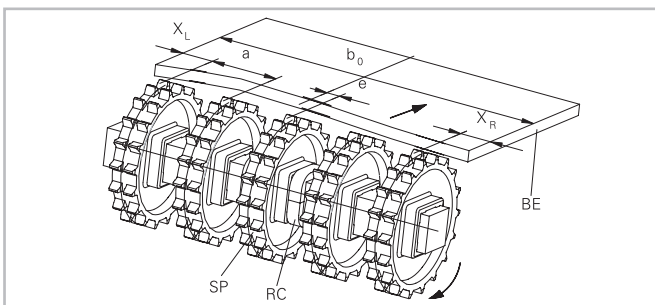
S-C1: machined sprockets: Other sprocket and hub sizes on request.

Key ways for round bore shape follow European standards for metric sizes and US standards for imperial sizes. For detailed dimensions see table in the Design Guide.

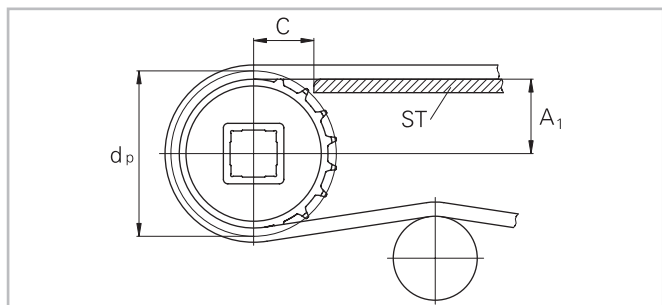
Other materials are available on request.



Sprocket arrangement



- BE** Belt
- RC** Retainer
- SP** Sprocket
- b₀** belt width



The distance **C** between the sprocket axis and the slider support **ST** is minimal 28 mm (1.1").

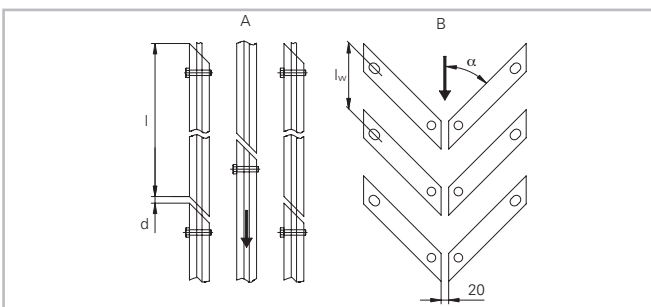
Wearstrips

Between driving shaft and idling sprockets or rollers the belt is carried by a slider support furnished with longitudinal wear strips (SL) from UHMW Polyethylene or other suitable material.

Sprocket positioning

For correct positioning of the center sprocket divide the belt width by the link increment. The rounded result will be an even or an odd number. These numbers are the criteria for offset or no offset, see table.

Belt type	Sprocket spacing a		Sprocket edge distance (minimal)		Criteria for center sprocket position	Result of formula (rounded)	Offset e	Remarks
	minimal	maximal	X_L	X_R				
	mm inch	mm inch	mm inch	mm inch				
M0870	76.2 3	152.4 6	38 1.5	38 1.5	$b_0 / 50.8$ $b_0 / 2$	even number (2, 4, 6 ...)	38.1 1.5	Offset to which side right or left side



Numbers of sprockets and wearstrips (returnway - refer to option A in the sketch)

Standard belt width (nominal)		Number of sprockets per shaft min. number	Number of wearstrips Returnway (bottom) (refer to A in the sketch)
mm	inch		
152	6	2	2
305	12	4	2
457	18	6	3
610	24	8	4
762	30	10	4
914	36	12	5
1067	42	14	6
1219	48	16	6
1372	54	18	8
1524	60	20	8
1676	66	22	10
1829	72	24	10
1981	78	26	12

Arrangement of wearstrips on the carryway (refer to option B in the sketch)

The distance l_w is equal or smaller 150 mm (depending on the load).

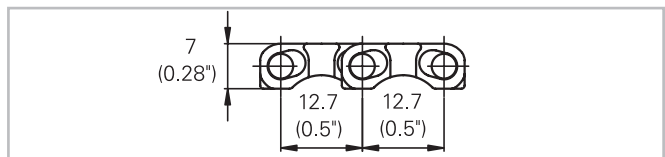
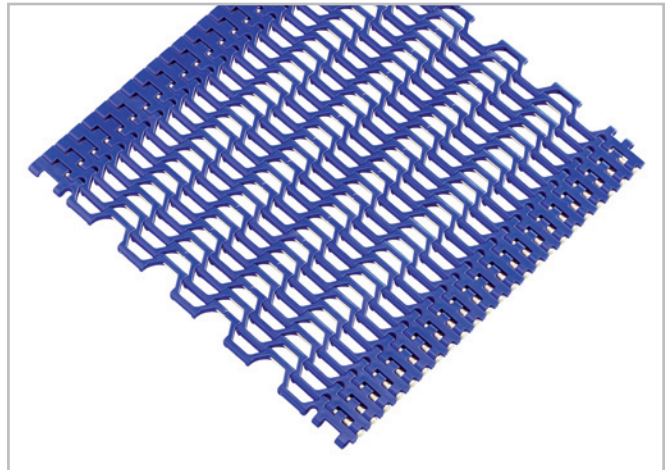
The number of sprockets depends on the belt load and may be different for driving and idling shafts. For calculation of correct sprocket number please use LINK-SeleCalc.

HabasitLINK® Straight 1/2" Pitch Belting

M1185 Flush Grid 0.5"

Description

- Imperial belt width
- 50% open area; 82% open contact area; largest opening 8x21 mm (0.3"x0.83")
- Open hinge
- Food approved materials
- Rod diameter 3.6 mm (0.14")
- Smart Fit rod retention
- Double row bidirectional sprocket
- Suitable for Ø 12.7 mm (0.5") nosebar



Belt data

Belt material		PP		POM		POM +DE	PA	PA +US
Rod material		PP	POM	PA	PBT	PA		
Nominal tensile strength F'_N straight run	N/m lb/ft	2600 178	3100 212	4400 301	4250 291	4400 301	4400 301	4400 301
Temperature range	°C °F	5 - 105 40 - 220	5 - 93 40 - 200	-40 - 93 -40 - 200	-40 - 93 -40 - 200	-40 - 93 -40 - 200	-46 - 130 -50 - 266	-46 - 116 -50 - 240
Temperature maximum (short-term)	°C °F						160 320	135 275
Belt weight m_B	kg/m ² lb/sqft	2.5 0.51	2.8 0.57	3.6 0.75	3.6 0.75	3.6 0.75	3.1 0.64	3.1 0.64

Diameter of idling rollers (minimum)		Diameter of support rollers (minimum)		Diameter for gravity take-up and center drive rollers (minimum)		Backbending radius for elevators without sideguards or hold down devices (minimum)	
mm	inch	mm	inch	mm	inch	mm	inch
12	0.5	50	2	75	3	150	6

Standard range of belt widths b_0

mm (nom.)	203	254	305	356	406	457	508	559	610	660	711	762	813	864	etc.
inch (nom.)	8	10	12	14	16	18	20	22	24	26	28	30	32	24	etc.

Real belt widths are in most cases 0.1% to 0.3% smaller.

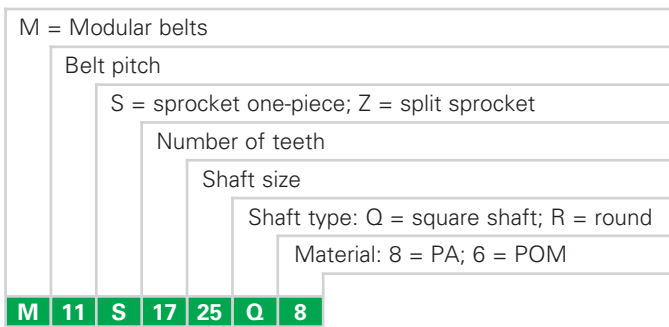
Standard belt widths in increments of 50.8 mm (2"). Non-standard widths are offered in increments of 12.7 mm (0.5"). Smallest possible width 177.8 mm (7").

For detailed material properties refer to pages 276 - 281 or contact your Habasit representative.

The nominal tensile strength is valid for 23 °C (73 °F). The admissible tensile force depends on the operating temperature near the drive sprockets. Within the temperature range allowed, the admissible tensile force may vary from 100% to 20% of the nominal tensile strength. For detailed information and correct calculation of effective tensile force refer to the Calculation Guide in the HabasitLINK® Engineering Guidelines.

HabasitLINK® Sprockets - 1/2" Pitch Belting

Sprocket Series M1100



Sprocket availability

Type	Number of teeth	Diam. of pitch $\emptyset d_p$		A_1		Hub width B_L		Square bore Q		Ø Round bore R		Standard material
		mm	inch	mm	inch	mm	inch	mm	inch	mm	inch	
S-C1	12	49.8	2.0	21.4	0.84	25	0.98	-	1	25	1	PA
S-C1	14	58.0	2.3	25.5	1.00	25	0.98	-	1	25	³ / ₄ / 1	PA
S-C1	17	70.2	2.8	31.6	1.24	25	0.98	-	-	25	³ / ₄ / 1	PA
S-C1	19	78.4	3.1	35.7	1.41	25	0.98	-	-	-	1	PA
S-C1	24	98.8	3.9	45.9	1.80	25	0.98	40	1.5	25	1	PA
S-C1	36	148.0	5.8	69.5	2.74	25	0.98	40 / 60	1.5 / 2.5	-	1	PA

S-C1: machined sprockets. Other sprocket and hub sizes on request.

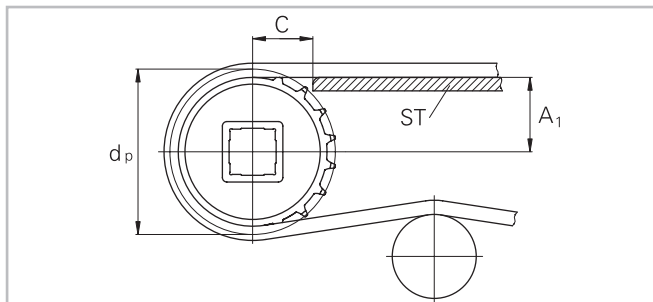
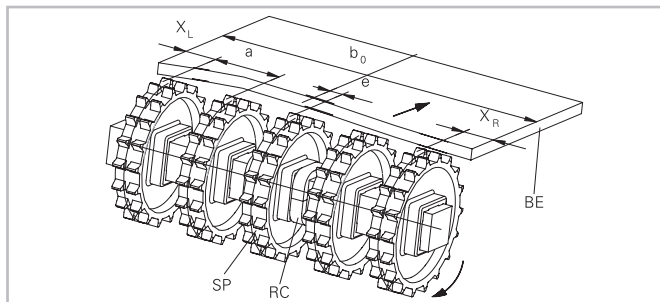
Key ways for round bore shape follow European standards for metric sizes and US standards for imperial sizes. For detailed dimensions see table in the Design Guide.

Other materials available on request.



Sprocket one-piece (solid)

Sprocket arrangement



The distance **C** between the sprocket axis and the slider support **ST** is minimal 14 mm (0.55").

BE Belt
RC Retainer
SP Sprocket
b₀ belt width

Wearstrips

Between driving shaft and idling sprockets or rollers the belt is carried by a slider support furnished with longitudinal wear strips (SL) from UHMW Polyethylene or other suitable material.

Sprocket positioning

For correct positioning of the center sprocket divide the belt width by the link increment. The rounded result will be an even or an odd number. These numbers are the criteria for offset or no offset, see table.

Belt type	Sprocket spacing a		Sprocket edge distance (minimal)		Criteria for center sprocket position	Result of formula (rounded)	Offset e	Remarks
	minimal	maximal	X _L	X _R				
	mm inch	mm inch	mm inch	mm inch	mm inch		mm inch	
M1185	50,8 2	101.6 4	63,5 2,5	63,5 2,5	n.a.	n.a.	12,7 0,5	Offset to which side right or left side for all belt widths

In addition to the sprockets it is recommended to use support rollers at the belt edges on drive and idling side. Distance of the center of the support roller to the belt edge: X_L and X_R

Numbers of sprockets and wearstrips for M1185

Standard belt width (nominal)		Number of sprockets per shaft	Number of wearstrips	
mm	inch	min. number	Carryway (top)	Returnway (bottom)
203	8	2	3	2
254	10	2	3	2
305	12	2	3	2
356	14	3	4	3
406	16	3	4	3
457	18	3	4	3
508	20	5	5	3
559	22	5	5	3
610	24	5	5	3
660	26	5	6	4
711	28	7	6	4
762	30	7	6	4
813	32	7	7	4
864	34	9	7	4
914	36	9	7	4
965	38	9	8	5
1'016	40	9	8	5
1'067	42	11	8	5
1'118	44	11	9	5
1'168	46	11	9	5
1'219	48	11	9	5
1'270	50	13	10	6
1'321	52	13	10	6
1'372	54	13	10	6
1'422	56	15	11	6
1'473	58	15	11	6
1'524	60	15	11	6
1'575	62	15	12	7
1'626	64	17	12	7

The number of sprockets depends on the belt load and may be different for driving and idling shafts. For calculation of correct sprocket number please use LINK-SeleCalc.

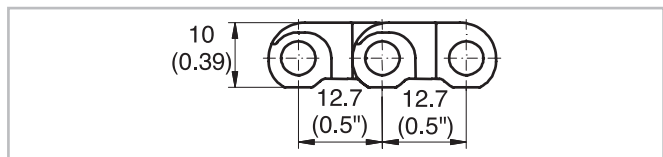
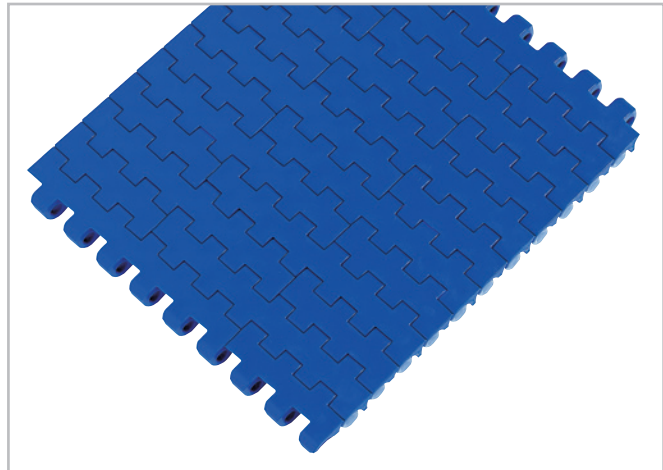
HabasitLINK® Straight 1/2" Pitch Belting M1220 Flat Top 0.5"

Description

- "Nosebar transfer", recommended diameter 18 mm (0.71"); 16 mm (0.63") possible
- 0% open area
- Food approved materials
- Easy to clean, open hinge
- Rod diameter 5 mm (0.2")
- "Open window" sprockets

Available accessories

- Flights
- Sideguards
- GripTop modules



Belt data

Belt material		PP	PE	POM	
Rod material		PP	PE	PP	PA
Nominal tensile strength F'_N straight run	N/m	11000	6000	16000	18000
	lb/ft	754	411	1096	1233
Temperature range	°C	5 - 105	-70 - 65	5 - 93	-40 - 93
	°F	40 - 220	-94 - 150	40 - 200	-40 - 200
Belt weight m_B	kg/m ²	5.8	6.2	8.7	8.7
	lb/sqft	1.20	1.27	1.78	1.78

Diameter of idling rollers (minimum)		Diameter of support rollers (minimum)		Diameter for gravity take-up and center drive rollers (minimum)		Backbending radius for elevators without sideguards or hold down devices (minimum)		Backbending radius for elevators with sideguards or hold down devices (minimum)	
mm	inch	mm	inch	mm	inch	mm	inch	mm	inch
18	0.7	50	2	75	3	150	6	250	10

Use the largest possible backbending radius for elevators with side guards or hold down devices.

Standard range of belt widths b_0

mm (nom.)	50	100	150	200	250	300	350	400	450	500	550	600	650	700	etc.
inch (nom.)	2	4	6	8	10	12	14	16	18	20	22	24	26	28	etc.

Real belt widths are in most cases 0.1% to 0.3% smaller.

Standard belt widths in increments of 50 mm (2"). Non-standard widths are offered in increments of 16.66 mm (0.66"). Smallest possible width 83.4 mm (3.25"). Non-bricklaid belts 50 mm (2") and 100 mm (4") wide.

For detailed material properties refer to pages 276 - 281 or contact your Habasit representative.

The nominal tensile strength is valid for 23 °C (73 °F). The admissible tensile force depends on the operating temperature near the drive sprockets. Within the temperature range allowed, the admissible tensile force may vary from 100% to 20% of the nominal tensile strength. For detailed information and correct calculation of effective tensile force refer to the Calculation Guide in the HabasitLINK® Engineering Guidelines.

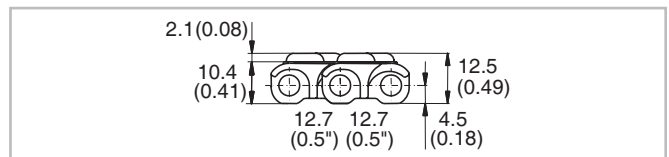
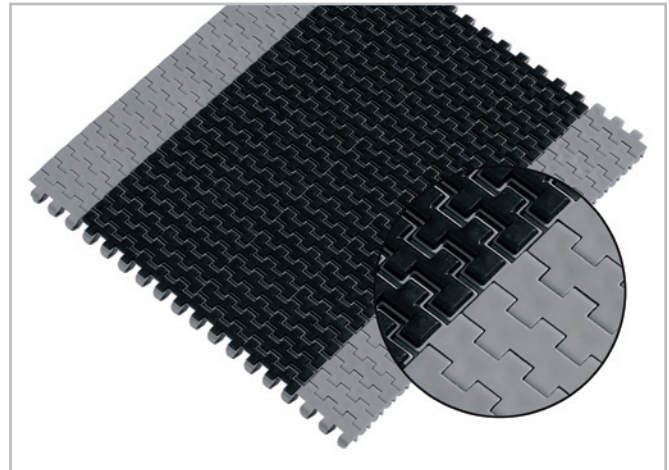
HabasitLINK® Straight 1/2" Pitch Belting M1220 GripTop 0.5"

Description

- "Nosebar transfer", recommended diameter 18 mm (0.71"); 16 mm (0.63") possible
- 0% open area
- Open hinge
- Indent 50 mm (2")
- Abrasion resistant GripTop, high friction
- Food approved materials
- Rod diameter 5 mm (0.2")
- "Open window" sprockets

Available accessories

- Flights



Belt data

Belt material		PP	
GripTop material		TPE	
Rod material		PP	POM
Nominal tensile strength F_N straight run	N/m lb/ft	9000 617	9000 617
Temperature range	°C °F	5 - 60 40 - 140	5 - 60 40 - 140
Belt weight m_B	kg/m ² lb/sqft	6.5 1.33	6.5 1.33

Diameter of idling rollers (minimum)		Diameter of support rollers (minimum)		Diameter for gravity take-up and center drive rollers (minimum)		Backbending radius for elevators without sideguards or hold down devices (minimum)	
mm	inch	mm	inch	mm	inch	mm	inch
18	0.7	50	2	75	3	150	6

Standard range of belt widths b_0

mm (nom.)	150	200	250	300	350	400	450	500	550	600	650	700	750	800	850	etc.
inch (nom.)	6	8	10	12	14	16	18	20	22	24	26	28	30	32	34	etc.

Real belt widths are in most cases 0.1% to 0.3% smaller.

Standard belt widths in increments of 50 mm (2"). Non-standard widths are offered in increments of 16.66 mm (0.66"). Min. width: 200 mm (8")

For detailed material properties refer to pages 276 - 281 or contact your Habasit representative.

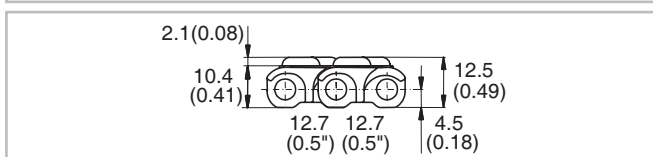
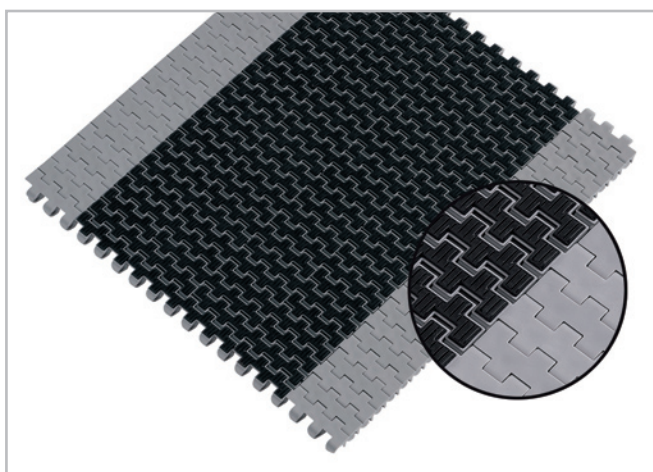
The nominal tensile strength is valid for 23 °C (73 °F). The admissible tensile force depends on the operating temperature near the drive sprockets. Within the temperature range allowed, the admissible tensile force may vary from 100% to 20% of the nominal tensile strength. For detailed information and correct calculation of effective tensile force refer to the Calculation Guide in the HabasitLINK® Engineering Guidelines.

Description

- "Nosebar transfer", recommended diameter 18 mm (0.71"); 16 mm (0.63") possible
- 0% open area
- Open hinge
- Indent 50 mm (2")
- GripTop with grooved surface for high friction and less grip reduction by dirt and dust
- Food approved materials
- Rod diameter 5 mm (0.2")
- "Open window" sprockets

Available accessories

- Flights



Belt data

Belt material		PP	
GripTop material		TPE	
Rod material		PP	POM
Nominal tensile strength F'_N straight run	N/m lb/ft	9000 617	9000 617
Temperature range	°C °F	5 - 60 40 - 140	5 - 60 40 - 140
Belt weight m_B	kg/m ² lb/sqft	6.5 1.33	6.5 1.33

Diameter of idling rollers (minimum)		Diameter of support rollers (minimum)		Diameter for gravity take-up and center drive rollers (minimum)		Backbending radius for elevators without sideguards or hold down devices (minimum)	
mm	inch	mm	inch	mm	inch	mm	inch
18	0.7	50	2	75	3	150	6

Standard range of belt widths b_0

mm (nom.)	150	200	250	300	350	400	450	500	550	600	650	700	750	800	850	etc.
inch (nom.)	6	8	10	12	14	16	18	20	22	24	26	28	30	32	34	etc.

Real belt widths are in most cases 0.1% to 0.3% smaller.

Standard belt widths in increments of 50 mm (2"). Non-standard widths are offered in increments of 16.66 mm (0.66"). Min. width: 200 mm (8")

For detailed material properties refer to pages 276 - 281 or contact your Habasit representative.

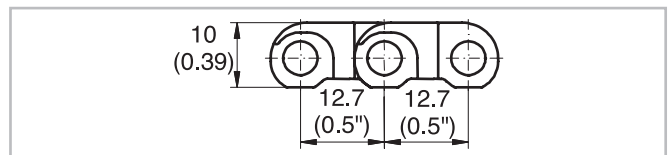
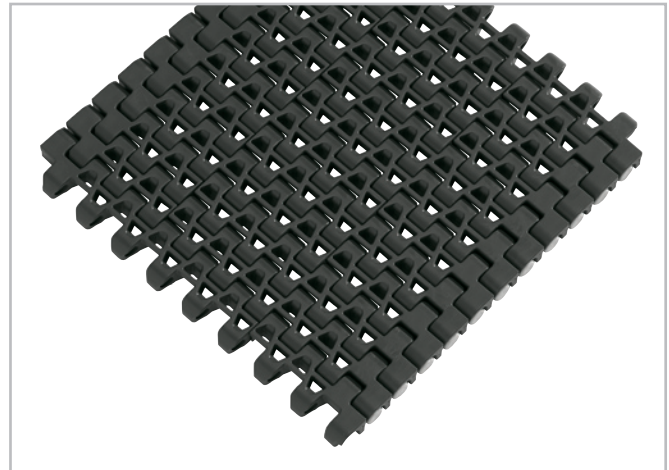
The nominal tensile strength is valid for 23 °C (73 °F). The admissible tensile force depends on the operating temperature near the drive sprockets. Within the temperature range allowed, the admissible tensile force may vary from 100% to 20% of the nominal tensile strength. For detailed information and correct calculation of effective tensile force refer to the Calculation Guide in the HabasitLINK® Engineering Guidelines.

Description

- "Nosebar transfer", recommended diameter 18 mm (0.71"); 16 mm (0.63") possible
- 18% open area; 70% open contact area; largest opening 5x3.3 mm (0.2"x0.13")
- Stiff 0.5" Flush Grid design
- Open hinge
- Food approved materials
- Rod diameter 5 mm (0.2")
- "Open window" sprockets

Available accessories

- GripTop modules



Belt data

Belt material		PP	PE	POM	
Rod material		PP	PE	PP	PA
Nominal tensile strength F_N^1 straight run	N/m	11000	7000	16000	18000
	lb/ft	753	480	1096	1233
Temperature range	°C	5 - 105	-70 - 65	5 - 93	-40 - 93
	°F	40 - 220	-94 - 150	40 - 200	-40 - 200
Belt weight m_B	kg/m ²	5.4	5.7	7.8	7.8
	lb/sqft	1.11	1.17	1.60	1.60

Diameter of idling rollers (minimum)		Diameter of support rollers (minimum)		Diameter for gravity take-up and center drive rollers (minimum)		Backbending radius for elevators without side- guards or hold down devices (minimum)		Backbending radius for elevators with sideguards or hold down devices (minimum)	
mm	inch	mm	inch	mm	inch	mm	inch	mm	inch
18	0.7	50	2	75	3	150	6	250	10

Use the largest possible backbending radius for elevators with side guards or hold down devices.

Standard range of belt widths b_0

mm (nom.)	150	200	250	300	350	400	450	500	550	600	650	700	750	800	etc.
inch (nom.)	6	8	10	12	14	16	18	20	22	24	26	28	30	32	etc.

Real belt widths are in most cases 0.1% to 0.3% smaller.

Standard belt widths in increments of 50 mm (2"). Non-standard widths are offered in increments of 16.66 mm (0.66"). Smallest possible width 83.4 mm (3.25").

For detailed material properties refer to pages 276 - 281 or contact your Habasit representative.

The nominal tensile strength is valid for 23 °C (73 °F). The admissible tensile force depends on the operating temperature near the drive sprockets. Within the temperature range allowed, the admissible tensile force may vary from 100% to 20% of the nominal tensile strength. For detailed information and correct calculation of effective tensile force refer to the Calculation Guide in the HabasitLINK® Engineering Guidelines.

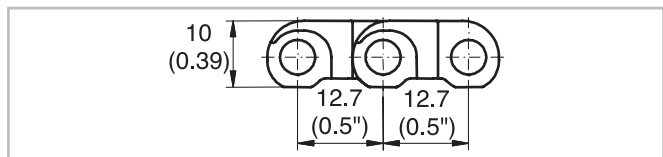
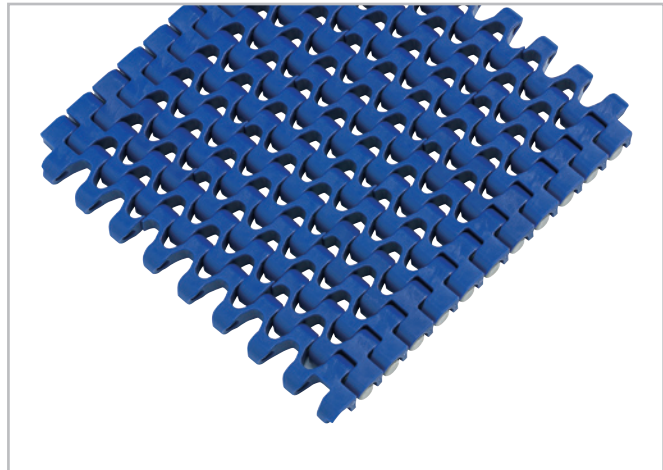
HabasitLINK® Straight 1/2" Pitch Belting M1233 Flush Grid 0.5"

Description

- "Nosebar transfer", recommended diameter 18 mm (0.71"); 16 mm (0.63") possible
- 25% open area; 70% open contact area; largest opening 5x6 mm (0.2"x0.25")
- Food approved materials
- Open hinge
- Superior cleanability
- Rod diameter 5 mm (0.2")
- "Open window" sprockets

Available accessories

- Flights
- GripTop modules



Belt data

Belt material		PP	PE	POM			PA +US	PA
Rod material		PP	PE		PP	PA		
Nominal tensile strength F'_N straight run	N/m lb/ft	11000 750	7000 480	8000 548	16000 1096	18000 1233	17000 1165	17000 1165
Temperature range	°C °F	5 - 105 40 - 220	-70 - 65 -94 - 150	-40 - 65 -40 - 150	5 - 93 40 - 200	-40 - 93 -40 - 200	-46 - 118 -50 - 245	-46 - 130 -50 - 266
Temperature maximum (short-term)	°C °F						135 275	160 320
Belt weight m_B	kg/m ² lb/sqft	5.2 1.07	5.4 1.11	7.2 1.48	7.2 1.48	7.2 1.48	6.7 1.37	6.7 1.37

Diameter of idling rollers (minimum)		Diameter of support rollers (minimum)		Diameter for gravity take-up and center drive rollers (minimum)		Backbending radius for elevators without sideguards or hold down devices (minimum)		Backbending radius for elevators with sideguards or hold down devices (minimum)	
mm	inch	mm	inch	mm	inch	mm	inch	mm	inch
18	0.7	50	2	75	3	150	6	250	6

Standard range of belt widths b_0

mm (nom.)	150	200	250	300	350	400	450	500	550	600	650	700	750	800	etc.
inch (nom.)	6	8	10	12	14	16	18	20	22	24	26	28	30	32	etc.

Real belt widths are in most cases 0.1% to 0.3% smaller.

Standard belt widths in increments of 50 mm (2"). Non-standard widths are offered in increments of 16.66 mm (0.66"). Smallest possible width 83.4 mm (3.25").

For detailed material properties refer to pages 276 - 281 or contact your Habasit representative.

The nominal tensile strength is valid for 23 °C (73 °F). The admissible tensile force depends on the operating temperature near the drive sprockets. Within the temperature range allowed, the admissible tensile force may vary from 100% to 20% of the nominal tensile strength. For detailed information and correct calculation of effective tensile force refer to the Calculation Guide in the HabasitLINK® Engineering Guidelines.

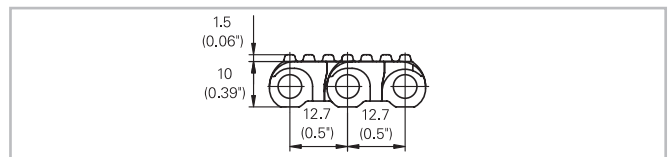
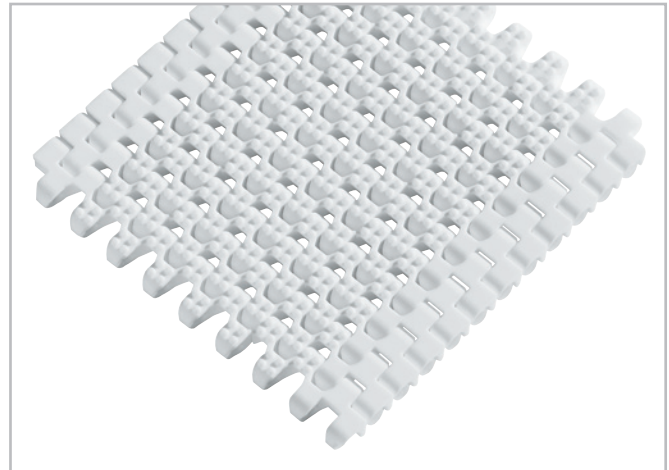
HabasitLINK® Straight 1/2" Pitch Belting M1234 Nub Top Flush Grid 0.5"

Description

- "Nosebar transfer" recommended diameter 18mm (0.71"); 16mm (0.63") possible
- 18 % open area; largest opening 2.55 x6 mm (0.1"x0.25")
- Open hinge
- Indent (nub-free edge) 25mm (1")
- Food approved materials
- Rod diameter 5 mm (0.2")
- "Open window" sprockets

Available accessories

- Flights



Belt data

Belt material		PP	PE	POM	
Rod material		PP	PE	PP	PA
Nominal tensile strength F_N^1 straight run	N/m	11000	7000	16000	18000
	lb/ft	753	480	1096	1233
Temperature range	°C	5 - 105	-70 - 65	5 - 93	-40 - 93
	°F	40 - 220	-94 - 150	40 - 200	-40 - 200
Belt weight m_B	kg/m ²	5.6	5.9	8.2	8.2
	lb/sqft	1.15	1.21	1.68	1.68

Diameter of idling rollers (minimum)		Diameter of support rollers (minimum)		Diameter for gravity take-up and center drive rollers (minimum)		Backbending radius for elevators without sideguards or hold down devices (minimum)	
mm	inch	mm	inch	mm	inch	mm	inch
18	0.7	50	2	75	3	150	6

Standard range of belt widths b_0

mm (nom.)	150	200	250	300	350	400	450	500	550	600	650	700	750	800	etc.
inch (nom.)	6	8	10	12	14	16	18	20	22	24	26	28	30	32	etc.

Real belt widths are in most cases 0.1% to 0.3% smaller.

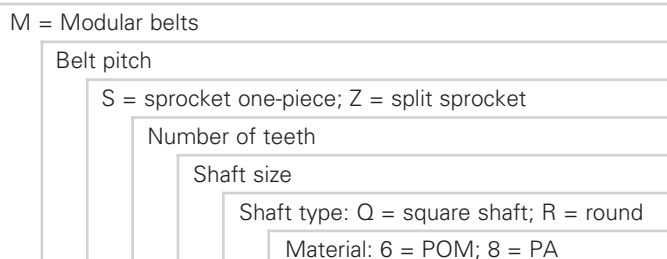
Standard belt widths in increments of 50 mm (2"). Non-standard widths are offered in increments of 16.66 mm (0.66"). Smallest possible width 150 mm (6").

For detailed material properties refer to pages 276 - 281 or contact your Habasit representative.

The nominal tensile strength is valid for 23 °C (73 °F). The admissible tensile force depends on the operating temperature near the drive sprockets. Within the temperature range allowed, the admissible tensile force may vary from 100% to 20% of the nominal tensile strength. For detailed information and correct calculation of effective tensile force refer to the Calculation Guide in the HabasitLINK® Engineering Guidelines.

HabasitLINK® Sprockets - 1/2" Pitch Belting

Sprocket Series M1200



M 12 S 24 25 Q 6

Sprocket availability

Type	Number of teeth	Diam. of pitch $\varnothing d_p A_1$				Hub width B_L		Square bore Q		Ø Round bore R		Standard material
		mm	inch	mm	inch	mm	inch	mm	inch	mm	inch	
S	10	41.2	1.6	16.1	0.63	30	1.18	-	-	20	$\frac{3}{4}$	POM
S	15	62.4	2.5	26.7	1.05	30	1.18	25	1	25	$1 / 1 \frac{3}{16}$	POM
S	19	78.8	3.1	34.4	1.35	30	1.18	-	1.5	-	$1 / 1 \frac{1}{4}$	POM
S	24	99.2	3.9	45.1	1.78	30	1.18	25 / 40	1 / 1.5	25	1	POM
S	28	116.5	4.6	53.8	2.12	30	1.18	25 / 40	1 / 1.5	25	1	POM
S	36	149.8	5.9	70.4	2.77	30	1.18	40 / 50 / 60	1.5 / 2.5	-	-	POM
Z	24	99.2	3.9	45.1	1.78	40	1.57	40	1.5	-	-	POM

S, Z: molded sprockets. Other sprocket and hub sizes on request.

Key ways for round bore shape follow European standards for metric sizes and US standards for imperial sizes. For detailed dimensions see table in the Design Guide.

Other materials available on request.

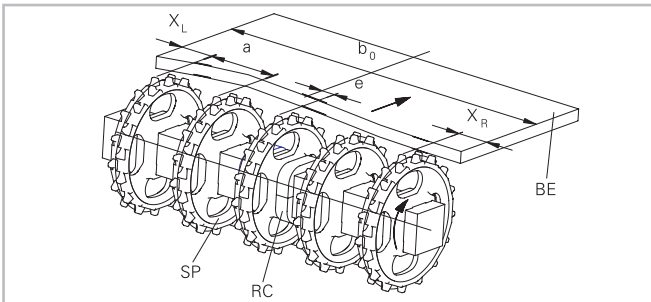


Sprocket one-piece ("open window")

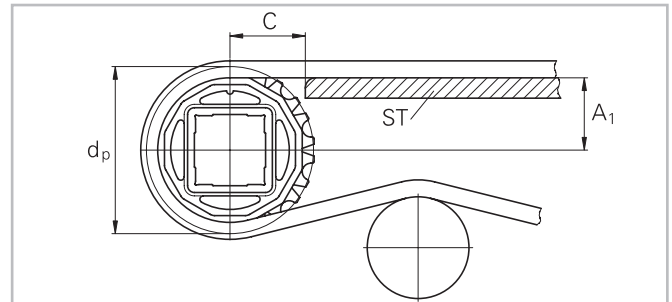


Split sprocket

Sprocket arrangement



BE Belt
RC Retainer
SP Låsning
b₀ belt width



The distance **C** between the sprocket axis and the slider support **ST** is minimal 14 mm (0.55").

Wearstrips

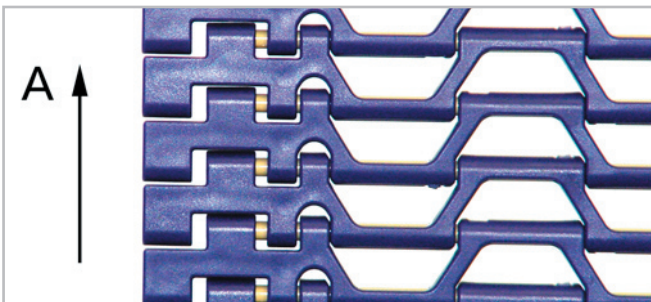
Between driving shaft and idling sprockets or rollers the belt is carried by a slider support furnished with longitudinal wearstrips (ST) from UHMW Polyethylene or other suitable material.

Sprocket positioning

For correct positioning of the center sprocket divide the belt width by the link increment. The rounded result will be an even or an odd number. These numbers are the criteria for offset or no offset, see table.

Belt type	Sprocket spacing a		Sprocket edge distance (minimal)		Criteria for center sprocket position	Result of formula (rounded)	Offset e	Remarks
	minimal	maximal	X_L	X_R				
	mm inch	mm inch	mm inch	mm inch				
M1185*	50.8 2	101.6 4	50.8 2	50.8 2	n.a.	n.a.	0 0	Offset to which side in running direction A only
M1200	50 2	100 4	25 1	25 1	n.a.	n.a.	0 0	no offset for all belt widths

* For POM and PA belts a maximal admissible load 70% is recommended.



Numbers of sprockets and wearstrips for series M1200

Standard belt width (nominal)		Number of sprockets per shaft min. number	Number of wearstrips	
mm	<i>inch</i>		Carryway (top)	Returnway (bottom)
150	6	2	2	2
200	8	2	2	2
250	10	3	3	2
300	12	3	3	2
350	14	3	4	3
400	16	3	4	3
450	18	5	5	3
500	20	5	5	3
550	22	5	6	4
600	24	5	6	4
700	28	7	7	4
800	32	7	7	4
900	36	9	8	5
1000	40	9	8	5
1100	43	11	9	5
1200	47	11	9	5
1300	51	13	10	6
1400	55	13	10	6
1600	63	15	11	6
1800	71	17	12	7
2000	79	19	13	7

The number of sprockets depends on the belt load and may be different for driving and idling shafts. For calculation of correct sprocket number please use tLINK-SeleCalc.

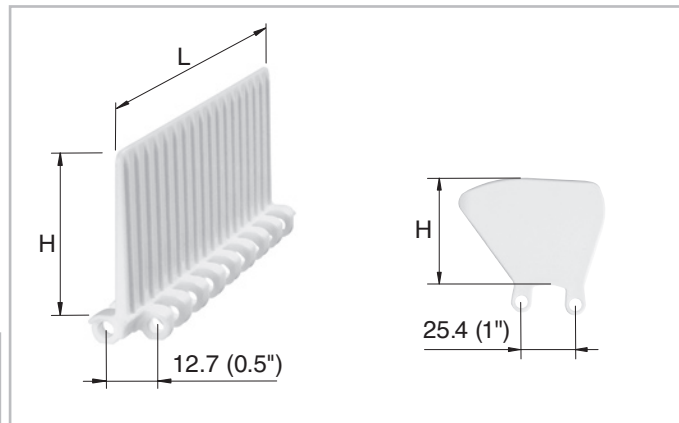
Numbers of sprockets and wearstrips for M1185

Standard belt width (nominal)		Number of sprockets per shaft	Number of wearstrips	
mm	inch	min. number	Carryway (top)	Returnway (bottom)
203	8	2	3	2
254	10	2	3	2
305	12	2	3	2
356	14	3	4	3
406	16	3	4	3
457	18	3	4	3
508	20	5	5	3
559	22	5	5	3
610	24	5	5	3
660	26	5	6	4
711	28	7	6	4
762	30	7	6	4
813	32	7	7	4
864	34	9	7	4
914	36	9	7	4
965	38	9	8	5
1'016	40	9	8	5
1'067	42	11	8	5
1'118	44	11	9	5
1'168	46	11	9	5
1'219	48	11	9	5
1'270	50	13	10	6
1'321	52	13	10	6
1'372	54	13	10	6
1'422	56	15	11	6
1'473	58	15	11	6
1'524	60	15	11	6
1'575	62	15	12	7
1'626	64	17	12	7

The number of sprockets depends on the belt load and may be different for driving and idling shafts. For calculation of correct sprocket number please use LINK-SeleCalc.

HabasitLINK® Modular Belts are available with flights to convey products on inclined planes. The flight modules are injection-molded one-piece designs that, when assembled, become an integral part of the belt. Flight modules are available with ribs on one side ("no-cling") for improved release of wet or sticky food products and can also be cut to non-standard heights. The flights fit all series M1200 belts except M1230, side guards for M1220 only.

	Flights straight		Sideguards
	height H	length L	height H
mm	50	150	50
inch	2	6	2

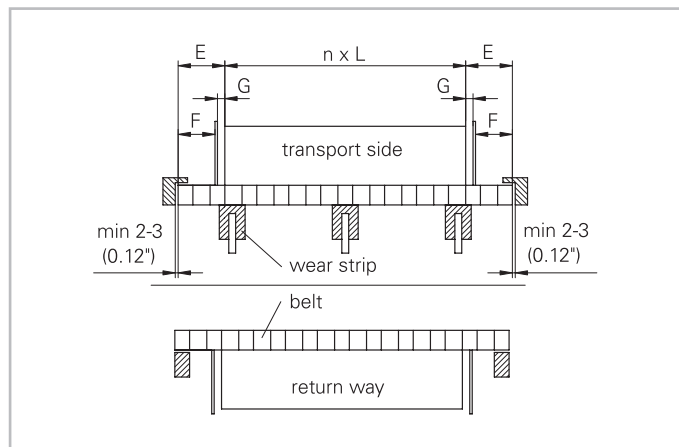


M1220F05

M1220G05

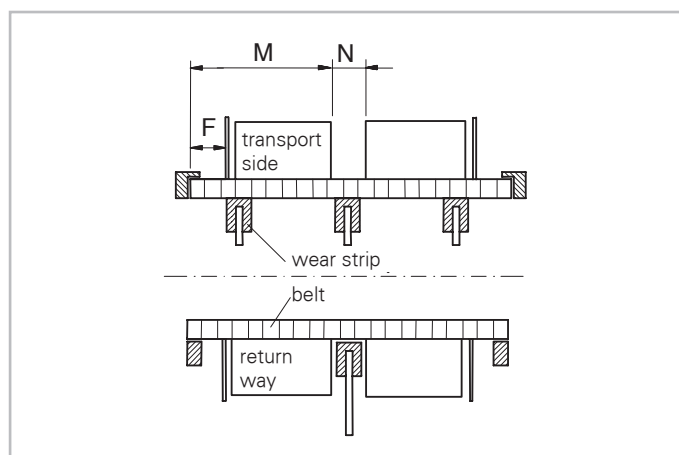
Indents (E)

The flight indent E is the distance between the edge of the belt and the edge of the flight. It is required for adequate support of the belt on its return way and hold down during back-bending applications (elevators). On short conveyors or with special support structure, the flights may also be applied over the full belt width (E = 0).



Notch (N)

The notch N is a gap in each row of flights, longitudinally aligned to allow the support of belts wider than 600 mm (24") on its return way or in back-bending applications. The notch width (N) and the distance (M) from belt edge is a multiple of the link increment 16.67 mm (0.66"). For M1200 series the minimum notch width is 33.3 mm (1.31").



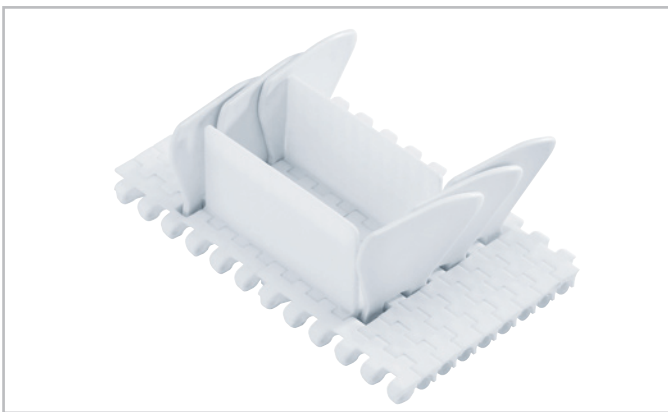
Installation of flights and sideguards; indents

The sideguards have a pitch of 25.4 mm (1"), that is twice of the module pitch. Therefore only one link per module needs to be cut for the sideguard installation. This special solution provides higher strength. The smallest applicable sprocket size is M12S15 (15 teeth). The distance E_1 between the flight end and the hold down- and support-shoes/wearstrips should not be smaller than 5 mm (0.2"). For further details see Assembly Guide.

HabasitLINK® Accessories – 1/2" Pitch Belting Flights and Sideguards M1200

	Possible flight indents E									
	Flight only		Flight + Sideguard with gap (G ~8 mm (0.3"))				Flight + Sideguard without gap (G ~2 mm (0.08"))			
	E		E		F		E		F	
	mm	inch	mm	inch	mm	inch	mm	inch	mm	inch
Flight over full belt width	0	0	-	-	-	-	-	-	-	-
Module cutting necessary	33	1.3	-	-	-	-	33	1.3	25	1
Standard, no module cutting	50	2	50	2	33	1.3	50	2	41	1.6
Module cutting necessary	66	2.6	66	2.6	50	2	66	2.6	58	2.3
Module cutting necessary	83	3.2	83	3.2	66	2.6	83	3.2	75	3
Standard, no module cutting	100	4	100	4	83	3.2	100	4	93	3.7

Special instructions for preparation and assembly to be followed, see Assembly Guidelines.

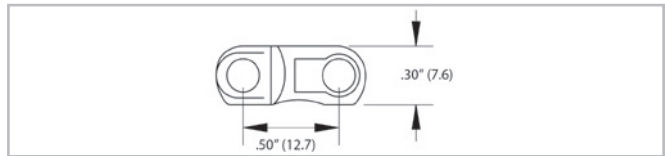
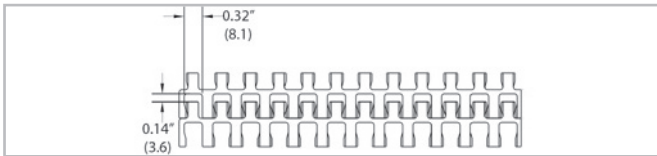
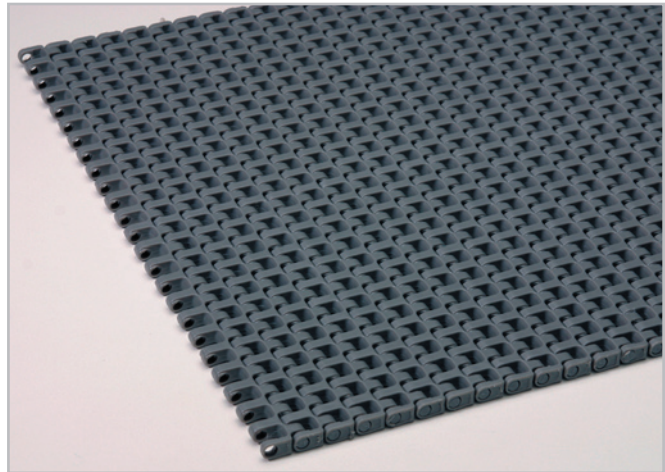


M1220G05/F05
Double pitch sideguard, fixed every second module row

KVP® Straight 1/2" Pitch Belting SM605 (Smooth Mesh)

Description

- 1/2 inch pitch
- 30% open area
- Food approved materials
- Bi-directional
- 3/4 inch (19.1 mm) diameter nosebar capability
- Connecting rod diameter = 0.172 inch (4.4 mm)
- Standard belt width increments = 1 inch (25.4 mm) nominal, starting from 2 inches (50.8 mm)
- Non-standard widths available in 1/2 inch (12.7 mm) increments starting at 3 inches (76.2 mm) upon request
- Material selection may affect belt width — please contact your local partner for actual dimensions

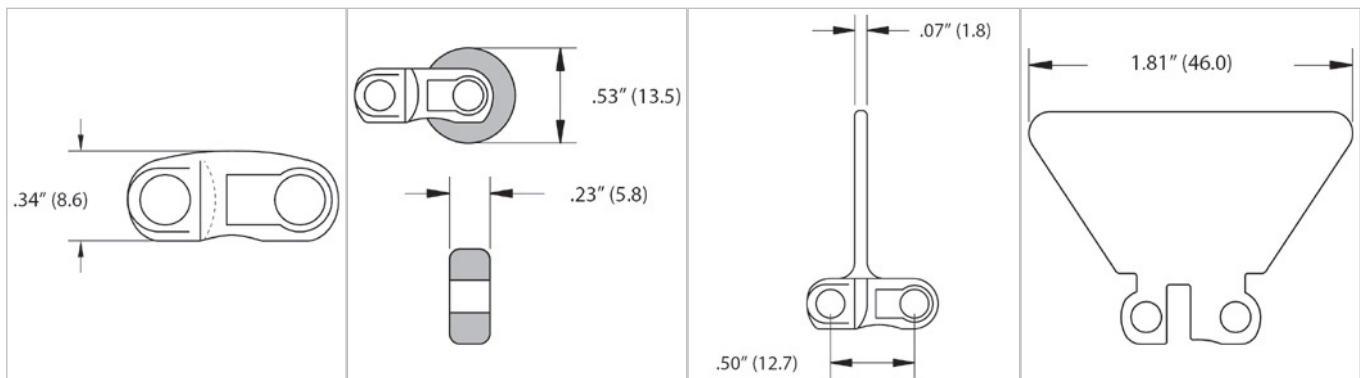


Belt data

Belt material		PP	PE	POM	Nylon (PA 66)	Nylon (PA +HN)
Rod material		PP	PE	PP		Nylon (PA +GF)
Nominal tensile strength F'_N straight run	N/m lb/ft	11675 800	7005 480	20431 1400	20431 1400	10945 750
Temperature range	°C °F	5 - 105 40 - 220	-70 - 65 -94 - 150	5 - 93 40 - 200	5 - 105 40 - 220	-40 - 170 -40 - 338
Temperature maximum (short-term)	°C °F					200 392
Belt weight m_B	kg/m ² lb/sqft	4.2 0.86	4.4 0.91	6.1 1.25	5.2 1.06	5.2 1.06
Standard belt color		gray/white	white	blue/white	gray	maroon

Additional belt colors and materials available, abrasive resistant Nylon (Polyamide) rods available – contact your local partner.

Belt accessories



Inserts
Note: Inserts may affect belt pull - please contact your local partner.

Rollers

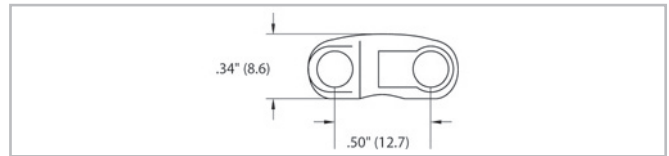
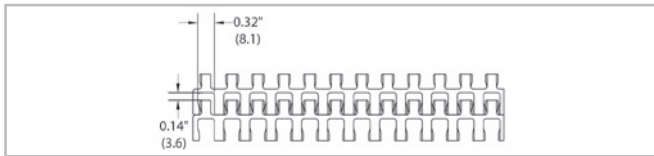
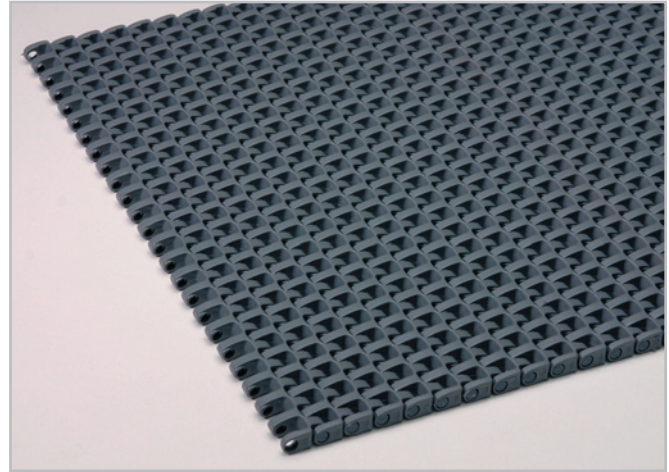
Flights
Standard flights are available in 1" (25.4 mm) height.

Sideplates
Sideplates are available in standard 1" (25.4 mm) height.

KVP® Straight 1/2" Pitch Belting CM605 (Curved Mesh)

Description

- 1/2 inch pitch
- 30% open area
- Food approved materials
- Bi-directional
- 3/4 inch (19.1 mm) diameter nosebar capability
- Connecting rod diameter = 0.172 inch (4.4 mm)
- Standard belt width increments = 1 inch (25.4 mm) nominal, starting from 2 inches (50.8 mm)
- Non-standard widths available in 1/2 inch (12.7 mm) increments starting at 3 inches (76.2 mm) upon request
- Material selection may affect belt width — please contact your local partner for actual dimensions

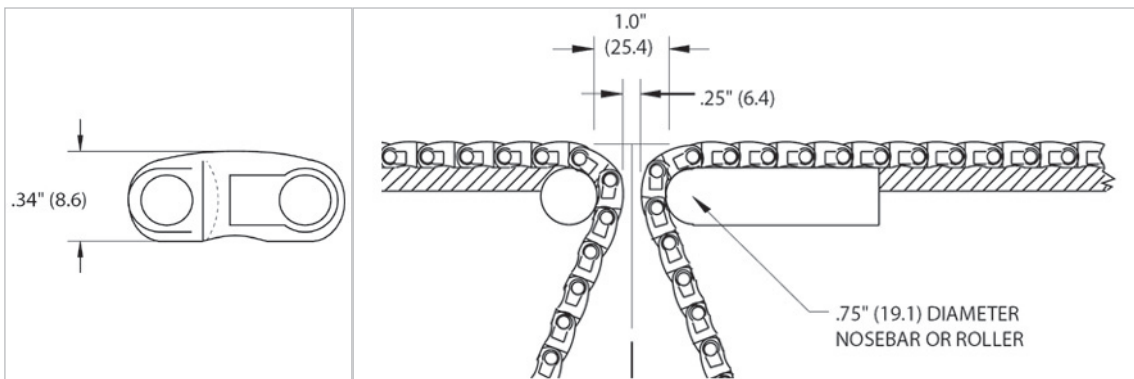


Belt data

Belt material		PP	POM
Rod material		PP	
Nominal tensile strength F'_N straight run	N/m lb/ft	11675 800	20431 1400
Temperature range	°C °F	5 - 105 40 - 220	5 - 93 40 - 200
Belt weight m_B	kg/m ² lb/sqft	4.4 0.91	6.3 1.30
Standard belt color		gray	blue/white

Additional belt colors and materials available, abrasive resistant Nylon (Polyamide) rods available – contact your local partner.

Belt accessories



Inserts

Note: Inserts may affect belt pull - please contact your local partner.

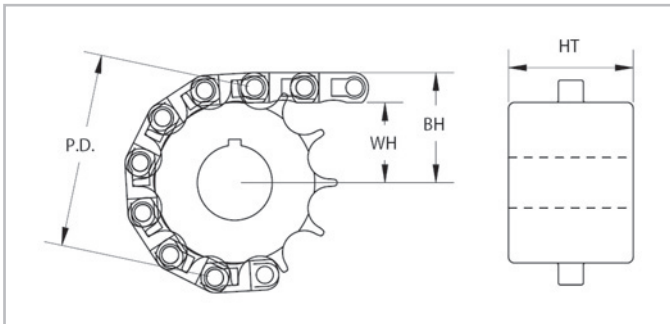
Nosebar



Molded sprocket

Machined sprocket

Puzzle split sprocket



Sprocket part number	Number of teeth	(PD) Nominal pitch diameter		(WH) Shaft center to top of wearstrip		Smooth Mesh (BH) Shaft center to top of belt		Curved Mesh (BH) Shaft center to top of belt		(HT) Hub thickness	
		inch	mm	inch	mm	inch	mm	inch	mm	inch	mm
70512M	12	1.90	48	0.80	20	1.10	28	1.14	29	1.5	38
70515M	15	2.40	61	1.05	27	1.35	34	1.39	35	1.5	38
70519	19	3.02	77	1.37	35	1.67	42	1.71	43	1.5	38
70524M	24	3.90	99	1.80	46	2.10	53	2.14	54	1.5	38
70528	28	4.47	114	2.09	53	2.39	61	2.43	62	1.5	38
70536M	36	5.80	147	2.75	70	3.05	77	3.09	78	1.5	38

M = molded sprocket.

Split sprockets and other tooth sizes are available. Standard machined sprocket material is UHMW, Nylon and Urethane are available. Please contact your local partner.

Sprocket part number	Available bore size														
	20 mm	3/4"	25 mm	25 mm sq.	1"	1" sq.	30 mm	1-1/4"	1-7/16"	1-1/2"	1-1/2" sq.	2" sq.	40 mm	40 mm sq.	2-1/2" sq.
70512M	✓	✓	✓	–	✓	–	–	–	–	–	–	–	–	–	–
70515M	–	–	✓	✓	✓	✓	–	–	✓	✓	–	–	–	–	–
70519	✓	✓	✓	✓	✓	✓	✓	✓	✓	✓	–	–	–	–	–
70524M	–	–	✓	–	✓	–	✓	✓	✓	✓	✓	✓	✓	✓	–
70528	✓	✓	✓	✓	✓	✓	✓	✓	✓	✓	✓	✓	✓	✓	–
70536M	–	–	–	–	✓	–	✓	✓	✓	✓	✓	✓	✓	✓	–

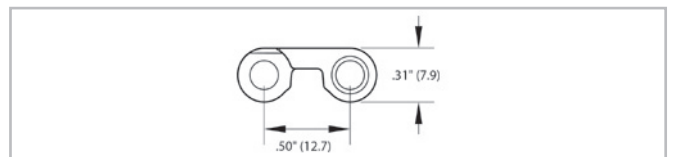
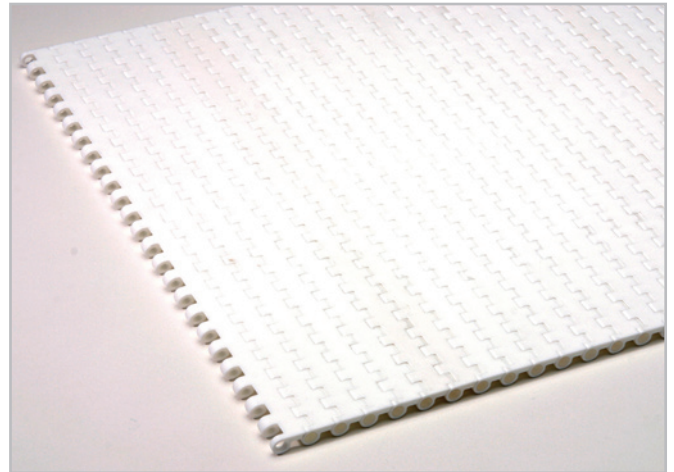
M = molded sprocket.

All bore sizes are round bore unless designated square (sq.).

KVP® Straight 1/2" Pitch Belting HDS605 ST (HDS Solid Top)

Description

- 1/2 inch pitch
- Solid top surface
- Food approved materials
- Bi-directional
- 3/4 inch (19.1 mm) diameter nosebar capability
- Connecting rod diameter = 0.156 inch (4.0 mm)
- Standard belt width increments = 1 inch (25.4 mm) nominal, starting from 5 inches (127 mm)
- Non-standard widths available in 1/2 inch (12.7 mm) increments starting at 3 inches (76.2 mm) upon request
- Material selection may affect belt width — please contact your local partner for actual dimensions



Belt data

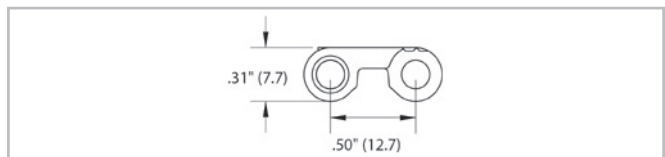
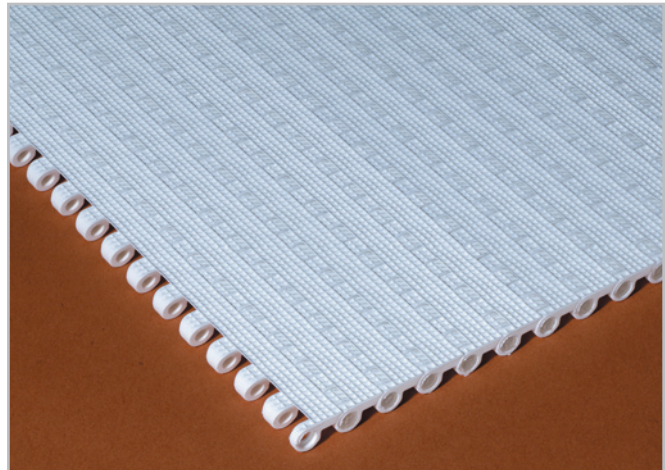
Belt material		PP	PE	POM
Rod material		PP	PE	PP
Nominal tensile strength F'_N straight run	N/m	7297	5838	14594
	lb/ft	500	400	1000
Temperature range	°C	5 - 105	-70 - 65	5 - 93
	°F	40 - 220	-94 - 150	40 - 200
Belt weight m_B	kg/m ²	4.4	4.9	5.9
	lb/sqft	0.90	1.00	1.20
Standard belt color		white	white	blue/white

Additional belt colors and materials available, abrasive resistant Nylon (Polyamide) rods available – contact your local partner.

KVP® Straight 1/2" Pitch Belting HDS605 TT (HDS Texture Top)

Description

- 1/2 inch pitch
- Texture top easy release surface bullet
- Food approved materials
- Bi-directional
- 3/4 inch (19.1 mm) diameter nosebar capability
- Connecting rod diameter = 0.156 inch (4.0 mm)
- Standard belt width increments = 1 inch (25.4 mm) nominal, starting from 5 inches (127 mm)
- Non-standard widths available in 1/2 inch (12.7 mm) increments starting at 3 inches (76.2 mm) upon request
- Material selection may affect belt width — please contact your local partner for actual dimensions



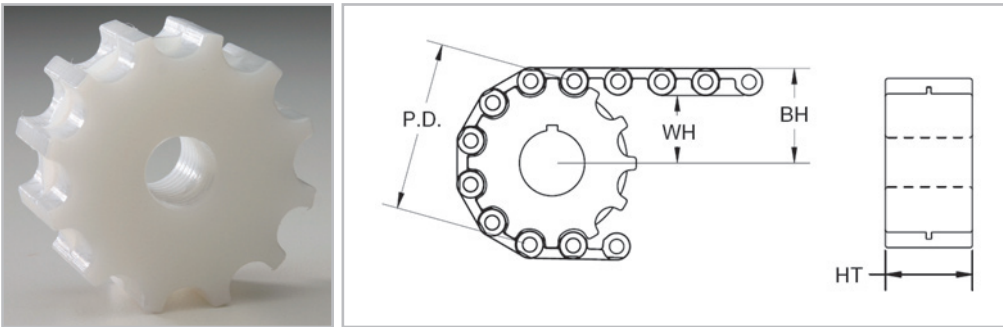
Belt data

Belt material		PP	PE	POM
Rod material		PP	PE	PP
Nominal tensile strength F'_N straight run	N/m	7297	5838	9486
	lb/ft	500	400	650
Temperature range	°C	5 - 105	-70 - 65	5 - 93
	°F	40 - 220	-94 - 150	40 - 200
Belt weight m_B	kg/m ²	4.4	4.9	5.9
	lb/sqft	0.90	1.00	1.20
Standard belt color		white	white	white

Additional belt colors and materials available, abrasive resistant Nylon (Polyamide) rods available – contact your local partner.

KVP® Sprockets – 1/2" Pitch Belting

HDS605 ST, HDS605 TT



Machined sprocket

Sprocket part number	Number of teeth	(PD) Nominal pitch diameter		(WH) Shaft center to top of wearstrip		(BH) Shaft center to top of belt		(HT) Hub thickness	
		inch	mm	inch	mm	inch	mm	inch	mm
HDS70512	12	1.93	49	0.79	20	1.10	28	1	25
HDS70515	15	2.40	61	1.02	26	1.33	34	1	25
HDS70520	20	3.20	81	1.42	36	1.73	44	1	25
HDS70536	36	5.74	146	2.69	68	3.00	76	1	25

Split sprockets and other tooth sizes are available. Standard machined sprocket material is UHMW, Nylon and Urethane are available. Please contact your local partner.

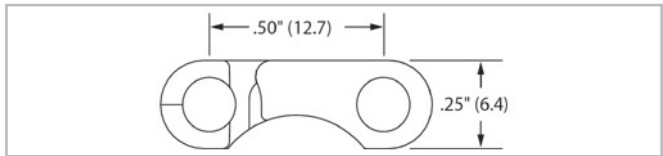
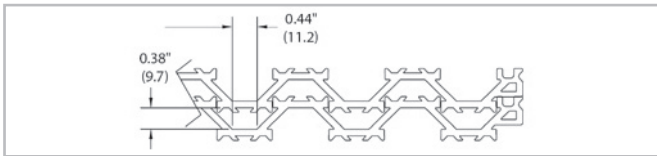
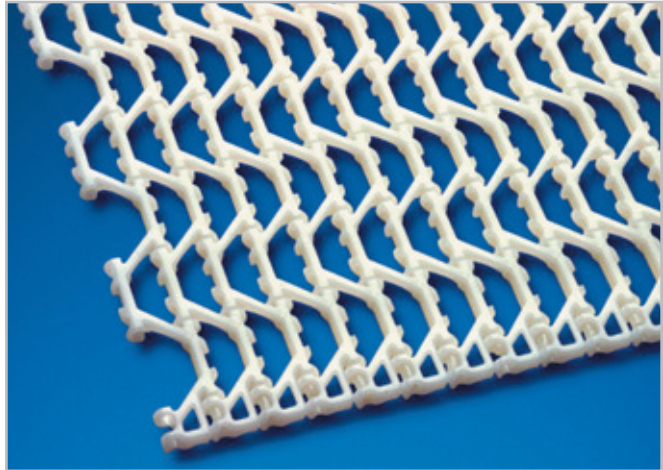
Sprocket part number	Available bore size															
	1/2"	3/4"	20 mm	25 mm	1"	1" sq.	30 mm	1-1/4"	1-7/16"	1-1/2"	1-1/2" sq.	40 mm	40 mm sq.	1-15/16"	50 mm	2"
HDS70512	✓	✓	✓	✓	✓	-	✓	-	-	-	-	-	-	-	-	-
HDS70515	✓	✓	✓	✓	✓	-	✓	✓	✓	-	-	-	-	-	-	-
HDS70520	✓	✓	✓	✓	✓	✓	✓	✓	✓	✓	-	-	-	-	-	-
HDS70536	✓	✓	✓	✓	✓	✓	✓	✓	✓	✓	✓	✓	✓	✓	✓	✓

All bore sizes are round bore unless designated square (sq.).

KVP® Straight 1/2" Pitch Belting PW605 (Wire replacement)

Description

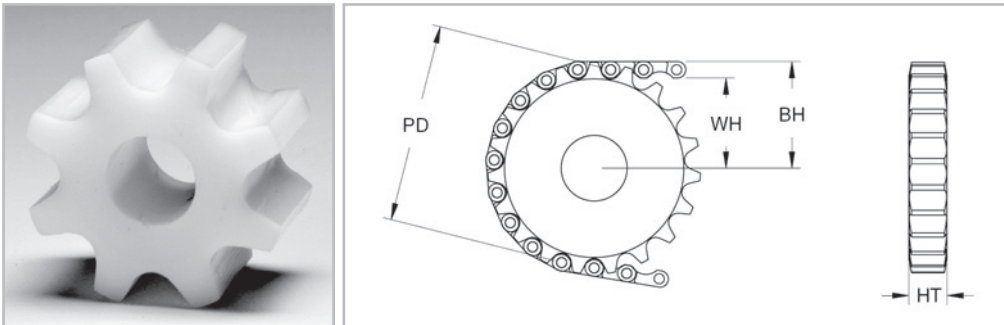
- 1/2 inch pitch
- 53% open area
- Food approved materials
- 1/2 inch (12.7 mm) diameter nosebar capability
- Connecting rod diameter = 0.145 inch (3.7 mm)
- Standard belt width increments = 2 inch (50.8 mm) nominal, starting from 8 inches (203.2 mm)
- Non-standard widths available in 1 inch (25.4 mm) increments starting at 9 inches (228.6 mm) upon request
- Material selection may affect belt width — please contact your local partner for actual dimensions



Belt data

Belt material		POM
Rod material		PP
Nominal tensile strength F'_N straight run	N/m lb/ft	2189 150
Temperature range	°C °F	5 - 93 40 - 200
Belt weight m_B	kg/m ² lb/sqft	2.8 0.57
Standard belt color		white

Additional belt colors and materials available, abrasive resistant Nylon (Polyamide) rods available – contact your local partner.



Machined sprocket

Sprocket part number	Number of teeth	(PD) Nominal pitch diameter		(WH) Shaft center to top of wearstrip		(BH) Shaft center to top of belt		(HT) Hub thickness	
		inch	mm	inch	mm	inch	mm	inch	mm
PW70508	8	1.31	33	0.52	13	0.79	20	0.75	19
PW70511	11	1.78	45	0.76	19	1.03	26	0.75	19
PW70513	13	2.09	53	0.91	23	1.18	30	0.75	19
PW70519	19	3.04	77	1.39	35	1.66	42	0.75	19
PW70525	25	3.99	101	1.86	47	2.13	54	0.75	19
PW70532	32	5.10	130	2.42	61	2.69	68	0.75	19
PW70538	38	6.06	154	2.90	74	3.17	81	0.75	19

Split sprockets and other tooth sizes are available. Standard machined sprocket material is UHMW, Nylon and Urethane are available. Please contact your local partner.

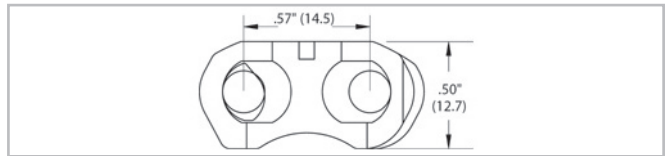
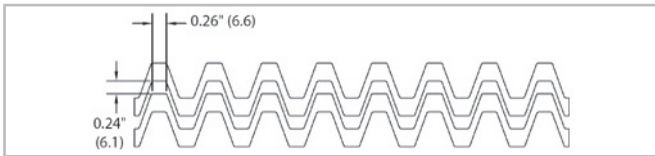
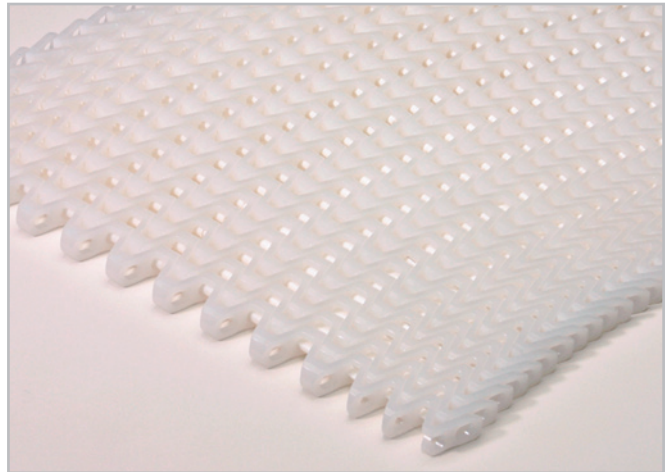
Sprocket part number	Available bore size															
	25 mm	1"	1" sq.	30 mm	1-1/4"	1-7/16"	1-1/2"	1-1/2" sq.	40 mm	40 mm sq.	1-15/16"	50 mm	2" sq.	60 mm	60 mm sq.	2-1/2" sq.
PW70508	✓	-	-	-	-	-	-	-	-	-	-	-	-	-	-	-
PW70511	✓	✓	-	✓	-	-	-	-	-	-	-	-	-	-	-	-
PW70513	✓	✓	✓	✓	✓	✓	✓	-	✓	-	-	-	-	-	-	-
PW70519	✓	✓	✓	✓	✓	✓	✓	✓	✓	✓	✓	✓	-	-	-	-
PW70525	✓	✓	✓	✓	✓	✓	✓	✓	✓	✓	✓	✓	✓	✓	-	-
PW70532	✓	✓	✓	✓	✓	✓	✓	✓	✓	✓	✓	✓	✓	✓	✓	✓
PW70538	✓	✓	✓	✓	✓	✓	✓	✓	✓	✓	✓	✓	✓	✓	✓	✓

All bore sizes are round bore unless designated square (sq.).

KVP® Radius 1/2" Pitch Belting RS501 (Tight Radius Flat Top)

Description

- 1/2 inch pitch
- Belt turning radius equals 1.1 times the nominal belt width
- 40% open area
- Food approved materials
- 3/4 inch (19.1 mm) diameter nosebar capability
- Connecting rod diameter = 0.188 inch (4.8 mm)
- Standard belt width increments = 1 inch (25.4 mm) nominal, starting from 12 inches (304.8 mm)
- Maximum recommended belt width is 36 inches (914.4 mm), larger widths — contact your local partner
- Material selection may affect belt width — please contact your local partner for actual dimensions



Belt data

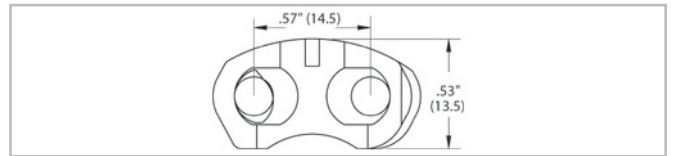
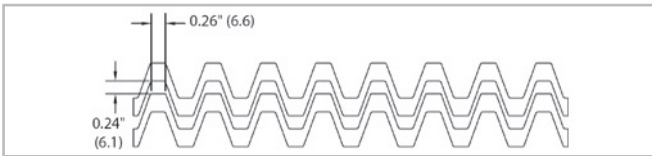
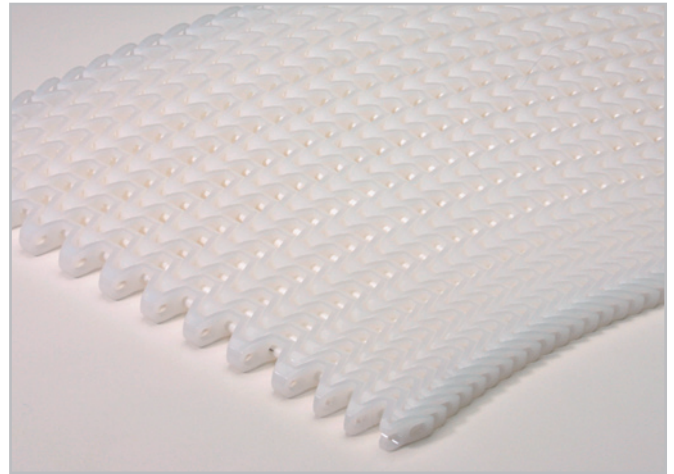
Belt material		POM	
Rod material		Nylon (PA)	
Nominal tensile strength F_N in curve ⁽¹⁾	N <i>lbf</i>	667 150	
Temperature range	°C °F	-40 - 93 -40 - 200	
Belt weight m_B	kg/m ² <i>lb/sqft</i>	6.9 1.41	
Standard belt color		blue/white	

Additional belt colors and materials available - contact your local partner.

KVP® Radius 1/2" Pitch Belting RS505 (Tight Radius Curved Top)

Description

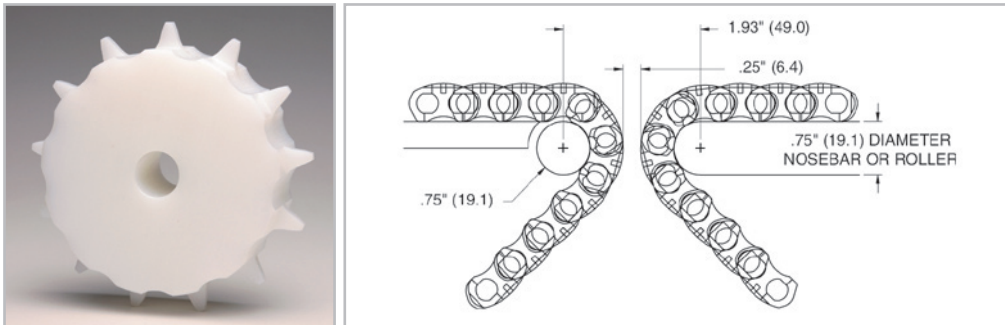
- 1/2 inch pitch
- Belt turning radius equals 1.1 times the nominal belt width
- 40% open area with reduced product contact
- Food approved materials
- 3/4 inch (19.1 mm) diameter nosebar capability
- Connecting rod diameter = 0.188 inch (4.8 mm)
- Standard belt width increments = 1 inch (25.4 mm) nominal, starting from 12 inches (304.8 mm)
- Maximum recommended belt width is 36 inches (914.4 mm), larger widths — contact your local partner
- Material selection may affect belt width — please contact your local partner for actual dimensions



Belt data

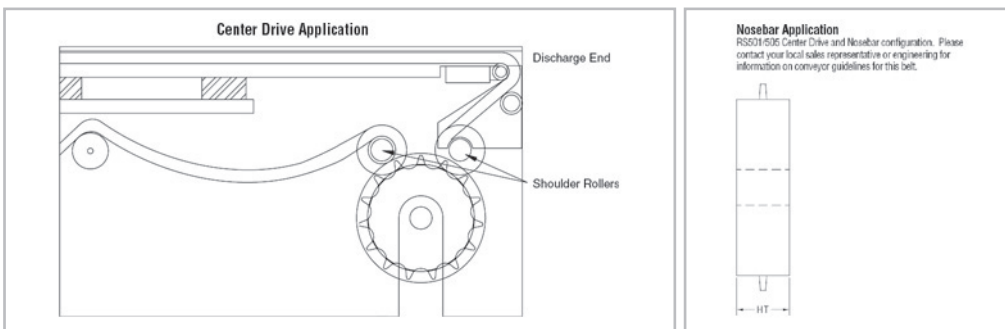
Belt material		POM	Nylon (PA 612)
Rod material		Nylon (PA)	
Nominal tensile strength F_N in curve ⁽¹⁾	N <i>lbf</i>	667 150	667 150
Temperature range	°C °F	-40 - 93 -40 - 200	-40 - 118 -40 - 245
Belt weight m_B	kg/m ² <i>lb/sqft</i>	7.2 1.47	5.9 1.21
Standard belt color		blue/white	beige

Additional belt colors and materials available - contact your local partner.



Machined sprocket

Split sprockets and other sizes are available. Contact your local partner for non-standard sizes.



Sprocket part number	Number of teeth	(PD) Nominal pitch diameter		(WH) Shaft center to top of wearstrip		(BH) Shaft center to top of belt		Curved Top (BH) Shaft center to top of belt curve		(HT) Hub thickness	
		inch	mm	inch	mm	inch	mm	inch	mm	inch	mm
070515 L/S	15	5.40	137	0.38	10	0.88	22	0.91	23	1.5	38

Do not use sprockets smaller than 11 tooth, 4.0" (101.6 mm), as drive sprockets. Specify belt material at time of ordering for correct sprocket sizing. Split sprockets and other tooth sizes are available.

Standard machined sprocket material is Nylon, UHMW and Urethane are available. Please contact your local partner.

Shoulder rollers required at both ends of drive shaft to capture belt for optimum sprocket engagement and belt support at the belt edges where no sprocket path exists.

Sprocket part number	Available bore size														
	1"	1" sq.	30 mm	1-1/4"	1-7/16"	1-1/2"	1-1/2" sq.	40 mm	40 mm sq.	1-15/16"	50 mm	2"	60 mm	60 mm sq.	2-1/2" sq.
070515 L/S	✓	✓	✓	✓	✓	✓	✓	✓	✓	✓	✓	✓	✓	✓	✓

M = molded sprocket

All bore sizes are round bore unless designated square (sq.).

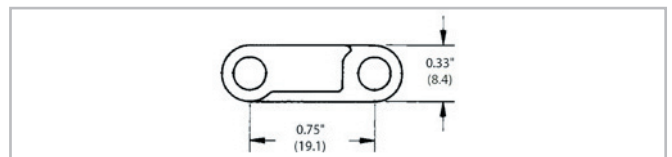
Do not use sprockets smaller than 11 tooth, 4.0" (101.6 mm), as drive sprockets. Specify belt material at time of ordering for correct sprocket sizing.

KVP® Straight 3/4" Pitch Belting

106 CL (106 Closed)

Description

- 3/4 inch pitch
- Solid top surface
- Food approved materials
- Bi-directional
- Connecting rod diameter = 0.188 inch (4.8 mm)
- Standard belt width increments = 3/4 inches (19.1 mm) nominal, starting from 3 inches (76.2 mm)
- Material selection may affect belt width - please contact your local partner for actual dimensions

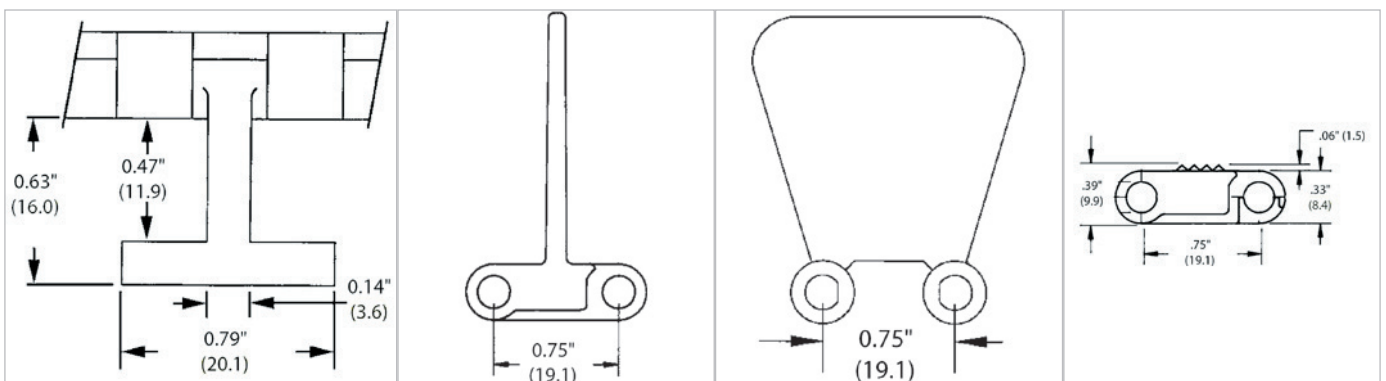


Belt data

Belt material		PP	POM	POM L
Rod material		PP		
Nominal tensile strength F_N straight run	N/m	376	753	753
	lb/ft	5487	10989	10989
Temperature range	°C	5 - 105	5 - 93	5 - 93
	°F	40 - 220	40 - 200	40 - 200
Belt weight m_B	kg/m ²	4.9	6.8	6.8
	lb/sqft	1.00	1.40	1.40
Standard belt color		gray	gray/white	brown

Additional belt colors and materials available, abrasive resistant Nylon (Polyamide) rods available – contact your local partner.

Belt accessories



Hold down tabs

Flights

Standard flights are available in 1-1/2" (38.1 mm) and 3" (76.2 mm) heights.

Sideplates

Sideplates are available in 1" (25.4 mm) and 1-1/2" (38.1 mm) heights.

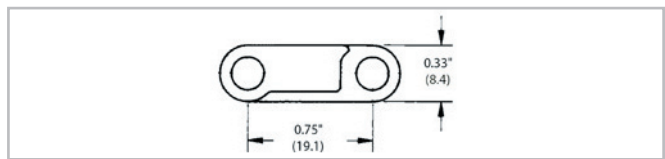
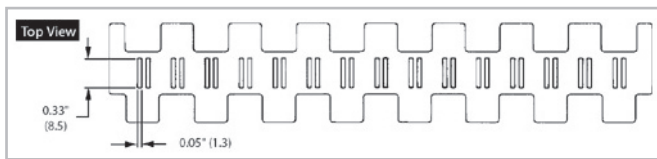
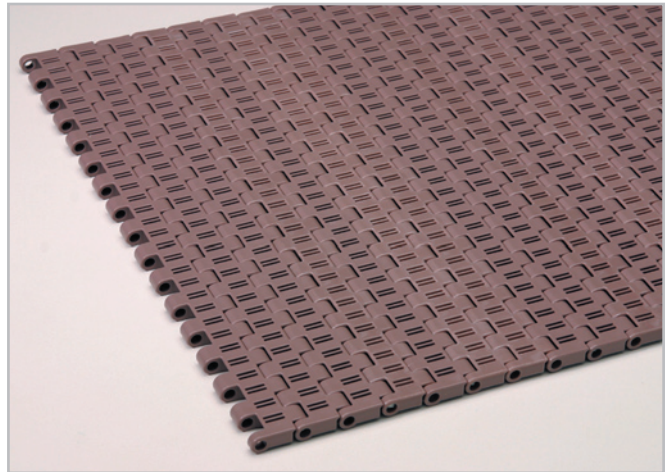
Rough Top

KVP® Straight 3/4" Pitch Belting

106 10 (106 10% Open)

Description

- 3/4 inch pitch
- 10% open area
- Food approved materials
- Bi-directional
- Connecting rod diameter = 0.188 inch (4.8 mm)
- Standard belt width increments = 3/4 inches (19.1 mm) nominal, starting from 3 inches (76.2 mm)
- Material selection may affect belt width — please contact your local partner for actual dimensions

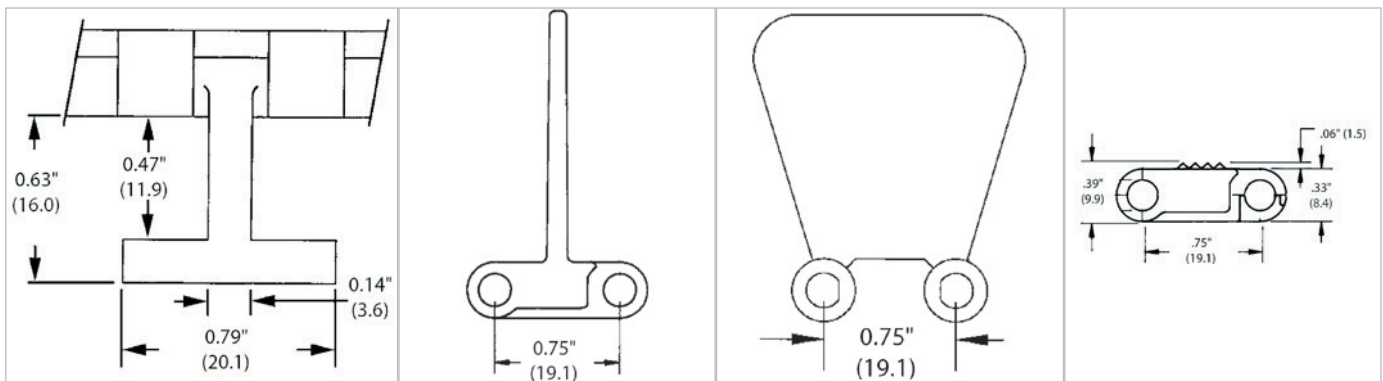


Belt data

Belt material		PP	POM U
Rod material		PP	
Nominal tensile strength F'_N	N/m	5487	10989
straight run	lb/ft	376	753
Temperature range	°C	5 - 105	5 - 93
	°F	40 - 220	40 - 200
Belt weight m_B	kg/m ²	4.7	6.4
	lb/sqft	0.96	1.30
Standard belt color		gray	green

Additional belt colors and materials available, abrasive resistant Nylon (Polyamide) rods available – contact your local partner.

Belt accessories



Hold down tabs

Flights

Standard flights are available in 1-1/2" (38.1 mm) and 3" (76.2 mm) heights.

Sideplates

Sideplates are available in 1" (25.4 mm) and 1-1/2" (38.1 mm) heights.

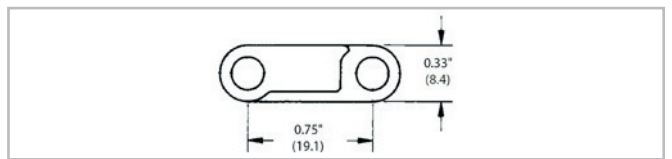
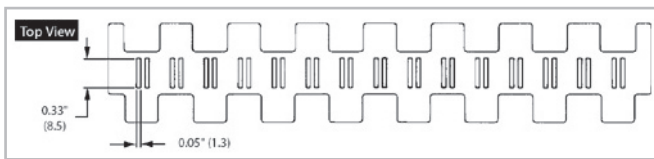
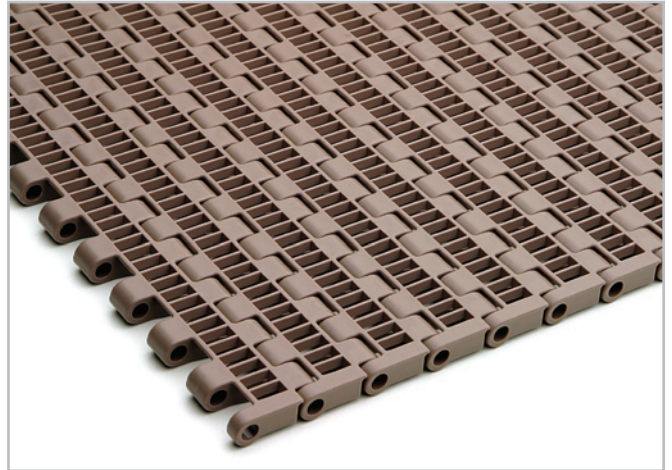
Rough Top

KVP® Straight 3/4" Pitch Belting

106 22 (106 22% Open)

Description

- 3/4 inch pitch
- 22% open area
- Food approved materials
- Bi-directional
- Connecting rod diameter = 0.188 inch (4.8 mm)
- Standard belt width increments = 3/4 inches (19.1 mm) nominal, starting from 3 inches (76.2 mm)
- Material selection may affect belt width — please contact your local partner for actual dimensions

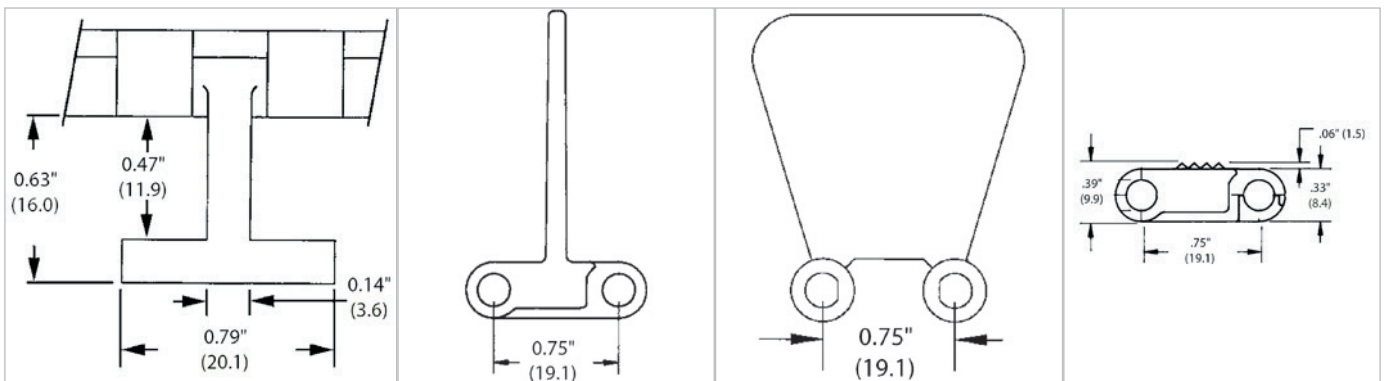


Belt data

Belt material		PP	POM L
Rod material		PP	
Nominal tensile strength F'_N	N/m lb/ft	5487 376	10989 753
Temperature range	°C °F	5 - 105 40 - 220	5 - 93 40 - 200
Belt weight m_B	kg/m ² lb/sqft	4.1 0.84	5.8 1.19
Standard belt color		gray	brown

Additional belt colors and materials available, abrasive resistant Nylon (Polyamide) rods available – contact your local partner.

Belt accessories



Hold down tabs

Flights

Standard flights are available in 1-1/2' (38.1 mm) and 3' (76.2 mm) heights.

Sideplates

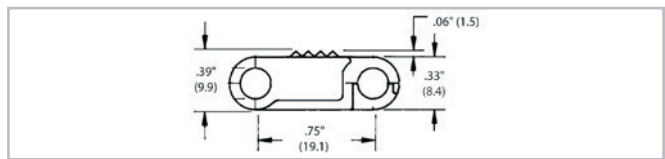
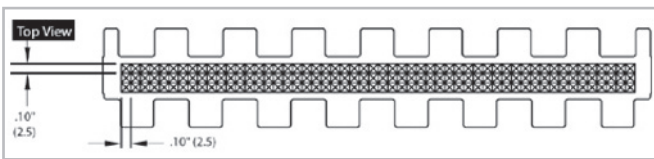
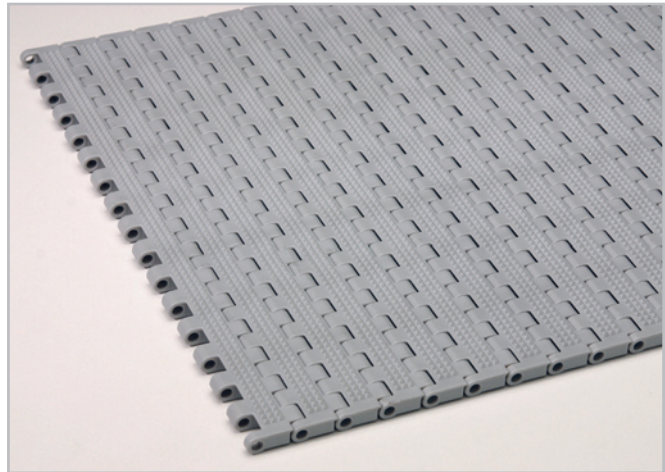
Sideplates are available in 1" (25.4 mm) and 1-1/2" (38.1 mm) heights.

Rough Top

KVP® Straight 3/4" Pitch Belting 106 RT (106 Rough Top)

Description

- 3/4 inch pitch
- Food approved materials
- Bi-directional
- Connecting rod diameter = 0.188 inch (4.8 mm)
- Standard belt width increments = 3/4 inches (19.1 mm) nominal, starting from 3 inches (76.2 mm)
- Material selection may affect belt width — please contact your local partner for actual dimensions



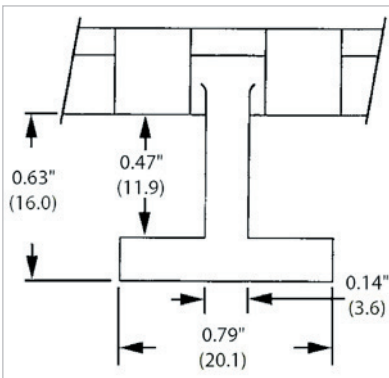
Belt data

Belt material		PP
Rod material		PP
Nominal tensile strength F'_N	N/m lb/ft	5487 376
Temperature range	°C °F	5 - 105 40 - 220
Belt weight m_B	kg/m ² lb/sqft	4.9 1.00
Standard belt color		gray

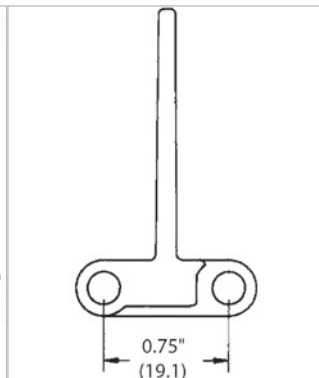
Additional belt colors and materials available, abrasive resistant Nylon (Polyamide) rods available – contact your local partner.

TPE: Consult your local partner for rough top high friction patterns.

Belt accessories

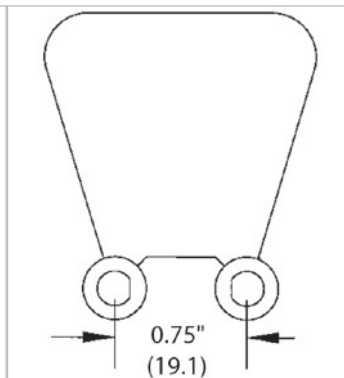


Hold down tabs



Flights

Standard flights are available in 1-1/2" (38.1 mm) and 3" (76.2 mm) heights.



Sideplates

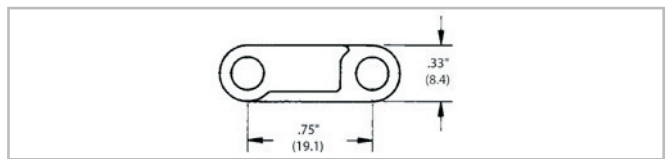
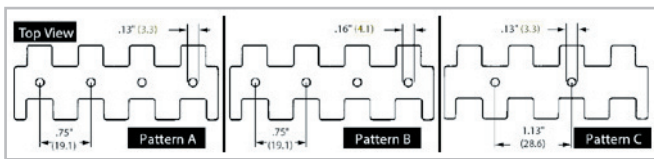
Sideplates are available in 1" (25.4 mm) and 1-1/2" (38.1 mm) heights.

KVP® Straight 3/4" Pitch Belting

106 V (Vacuum)

Description

- 3/4 inch pitch
- Food approved materials
- Bi-directional
- Connecting rod diameter = 0.188 inch (4.8 mm)
- Standard belt width increments = 3/4 inches (19.1 mm) nominal, starting from 3 inches (76.2 mm)
- Material selection may affect belt width — please contact your local partner for actual dimensions

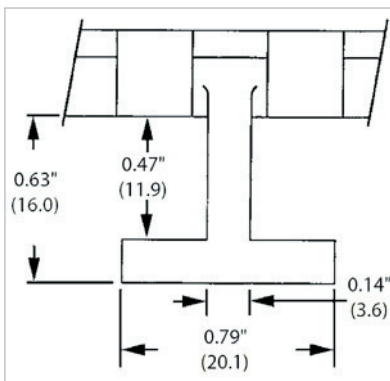


Belt data

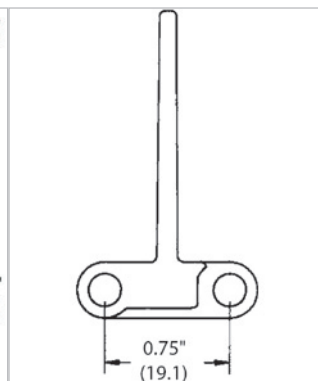
Belt material		PP	POM
Rod material		PP	
Nominal tensile strength F'_N	N/m lb/ft	5487 376	10989 753
Temperature range	°C °F	5 - 105 40 - 220	5 - 93 40 - 200
Belt weight m_B	kg/m ² lb/sqft	4.9 1.00	6.8 1.40
Standard belt color		gray	gray/white

Additional belt colors and materials available, abrasive resistant Nylon (Polyamide) rods available – contact your local partner.

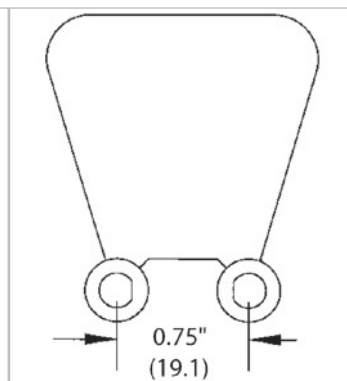
Belt accessories



Hold down tabs



Flights
Standard flights are available in 1-1/2" (38.1 mm) and 3" (76.2 mm) heights.



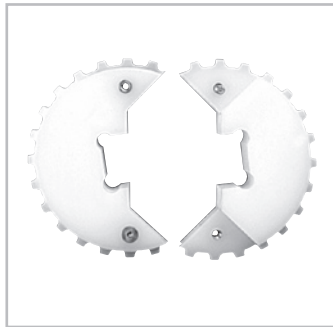
Sideplates
Sideplates are available in 1" (25.4 mm) and 1-1/2" (38.1 mm) heights.

KVP® Sprockets – 3/4" Pitch Belting

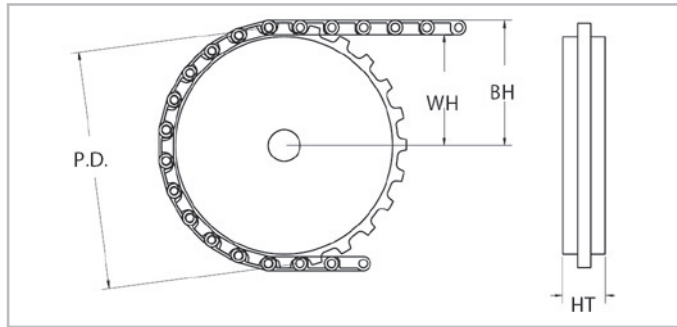
106 CL, 106 10, 106 22, 106 RT, 106 V



Machined sprocket



Machined split sprocket



Sprocket part number	Number of teeth	(PD) Nominal pitch diameter		(WH) Shaft center to top of wearstrip		(BH) Shaft center to top of belt		(HT) Hub thickness	
		inch	mm	inch	mm	inch	mm	inch	mm
SB106PEU7	7	1.73	44	0.7	18	1.03	26	1.0	25
SB106PEU10	10	2.43	62	1.05	27	1.38	35	1.0	25
SB106PEU14	14	3.37	86	1.52	39	1.85	47	1.0	25
SB106PEU16	16	3.84	98	1.75	44	2.08	53	1.0	25
SB106PEU24	24	5.75	146	2.71	69	3.04	77	1.0	25
STB106PEU24	24	5.75	146	2.71	69	3.04	77	1.0	25
SB106PEU25	25	5.98	152	2.82	72	3.15	80	1.0	25
STB106PEU25	25	5.98	152	2.82	72	3.15	80	1.0	25

SB = solid body, STB = split body

Split sprockets and other tooth sizes are available. Standard machined sprocket material is UHMW, Nylon and Urethane are available. Please contact your local partner.

Sprocket part number	Available bore size														
	20 mm	3/4"	25 mm	25 mm sq.	1"	1" sq.	30 mm	1-1/4"	1-7/16"	1-1/2"	1-1/2" sq.	40 mm	40 mm sq.	2" sq.	2-1/2" sq.
SB106PEU7	✓	✓	-	-	-	-	-	-	-	-	-	-	-	-	-
SB106PEU10	✓	✓	✓	✓	✓	✓	✓	✓	-	-	-	-	-	-	-
SB106PEU14	✓	✓	✓	✓	✓	✓	✓	✓	✓	✓	✓	✓	✓	-	-
SB106PEU16	✓	✓	✓	✓	✓	✓	✓	✓	✓	✓	✓	✓	✓	✓	✓
SB106PEU24	✓	✓	✓	✓	✓	✓	✓	✓	✓	✓	✓	✓	✓	✓	✓
STB106PEU24	✓	✓	✓	✓	✓	✓	✓	✓	✓	✓	✓	✓	✓	-	-
SB106PEU25	✓	✓	✓	✓	✓	✓	✓	✓	✓	✓	✓	✓	✓	✓	✓
STB106PEU25	✓	✓	✓	✓	✓	✓	✓	✓	✓	✓	✓	✓	✓	-	-

SB = solid body, STB = split body

All bore sizes are round bore unless designated square (sq.).

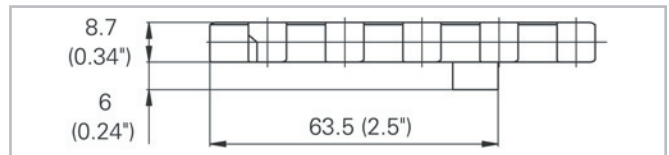
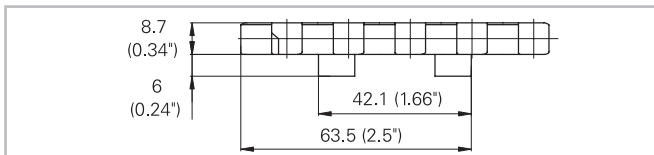
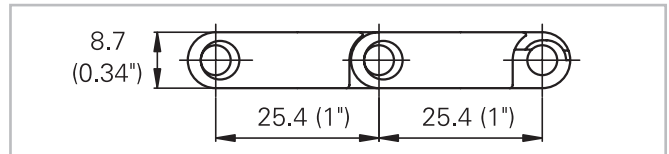
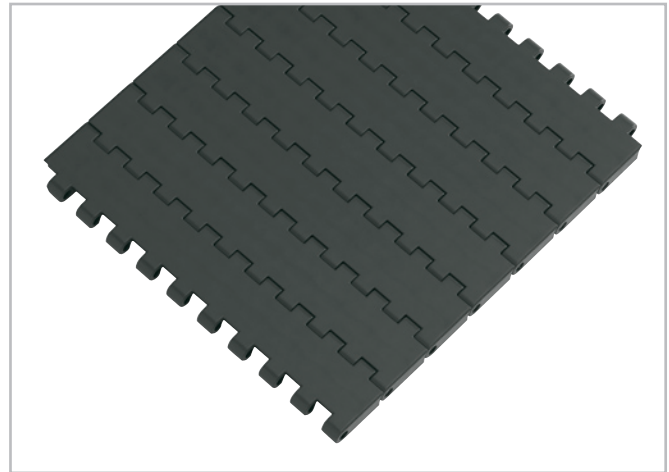
HabasitLINK® Straight 1" Pitch Belting M2420 Flat Top 1"

Description

- 8.7 mm (0.34") thick
- 0% open area
- Closed hinge
- Rod diameter 4.5 mm (0.18")
- Headless Smart Fit rod retention
- Strong closed edges
- Lug teeth sprockets

Available accessories

- Tab modules with 1 or 2 tabs
- Code: -T1 single Tab / -T2 double tab



Belt data

Belt material		PP		POM	
Rod material		PP	POM	PBT	PA
Nominal tensile strength F'_N	N/m lb/ft	13200 904	16900 1158	20100 1370	28800 1973
Temperature range	°C °F	5 - 105 40 - 220	5 - 93 40 - 200	-40 - 93 -40 - 200	-40 - 93 -40 - 200
Belt weight m_B	kg/m ² lb/sqft	5.3 1.09	5.3 1.09	8.1 1.65	8.1 1.65

Diameter of idling rollers (minimum)		Diameter of support rollers (minimum)		Diameter for gravity take-up and center drive rollers (minimum)		Backbending radius for elevators without sideguards or hold down devices (minimum)	
mm	inch	mm	inch	mm	inch	mm	inch
40	1.6	50	2	100	4	150	6

Standard range of belt widths b_0

mm (nom.)	85	170	255	340	425	510	595	680	765	850	935	1020	1105	etc.
inch (nom.)	3.35	6.69	10.04	13.39	16.73	20.08	23.43	26.77	30.12	33.46	36.81	40.16	43.50	etc.

Real belt widths are in most cases 0.1% to 0.3% smaller.

Standard belt widths in increments of 85 mm (3.35"). Non-standard widths are offered in increments of 17 mm (0.67"). Smallest possible width 85 mm (3.35").

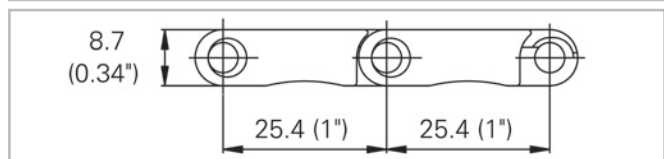
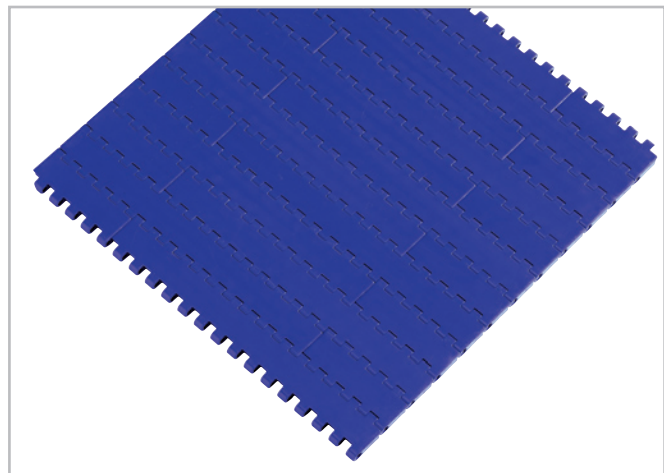
For detailed material properties refer to pages 276 - 281 or contact your Habasit representative.

The nominal tensile strength is valid for 23 °C (73 °F). The admissible tensile force depends on the operating temperature near the drive sprockets. Within the temperature range allowed, the admissible tensile force may vary from 100% to 20% of the nominal tensile strength. For detailed information and correct calculation of effective tensile force refer to the Calculation Guide in the HabasitLINK® Engineering Guidelines.

HabasitLINK® Straight 1" Pitch Belting M2470 Flat Top 1"

Description

- Imperial belt width
- 8.7 mm (0.34") thick
- 0% open area
- Closed hinge
- Rod diameter 4.5 mm (0.18")
- Headless Smart Fit rod retention
- Strong closed edges
- Beveled edges for smooth side transfer
- Lug teeth sprockets
- Optimized for 50 mm (2") idle roller diameter, 40 mm (1.6") possible



Belt data

Belt material		POM	PP	
Rod material		PA	PP	POM
Nominal tensile strength F'_N straight run	N/m lb/ft	30000 2055	17200 1178	18500 1267
Temperature range	°C °F	-40 - 93 -40 - 200	5 - 105 40 - 220	5 - 93 40 - 200
Belt weight m_B	kg/m ² lb/sqft	8.7 1.79	5.7 1.17	5.7 1.17

Diameter of idling rollers (minimum)		Diameter of support rollers (minimum)		Diameter for gravity take-up and center drive rollers (minimum)		Backbending radius for elevators without sideguards or hold down devices (minimum)	
mm	inch	mm	inch	mm	inch	mm	inch
40	1.6	50	2	100	4	150	6

Standard range of belt widths b_0

mm (nom.)	76	152	229	305	381	457	533	610	686	762	838	914	991	etc.
inch (nom.)	3	6	9	12	15	18	21	24	27	30	33	36	39	etc.

Real belt widths are in most cases 0.1% to 0.3% smaller.

Standard belt widths in increments of 76 mm (3"). Non-standard widths are offered in increments of 15.2 mm (0.6"). Smallest possible width 76 mm (3").

For detailed material properties refer to pages 276 - 281 or contact your Habasit representative.

The nominal tensile strength is valid for 23 °C (73 °F). The admissible tensile force depends on the operating temperature near the drive sprockets. Within the temperature range allowed, the admissible tensile force may vary from 100% to 20% of the nominal tensile strength. For detailed information and correct calculation of effective tensile force refer to the Calculation Guide in the HabasitLINK® Engineering Guidelines.

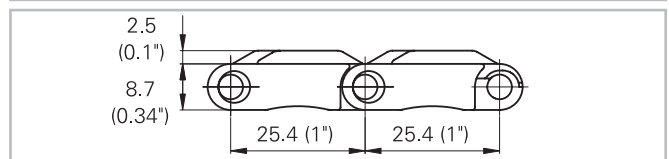
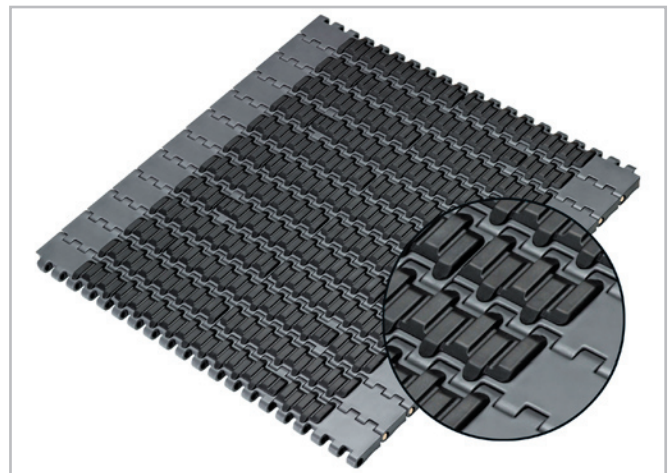
HabasitLINK® Straight 1" Pitch Belting M2470 GripTop 1"

Description

- Imperial belt width
- 0% open area
- Abrasion resistant GripTop, high friction
- Closed hinge
- Rod diameter 4.5 mm (0.18")
- Headless Smart Fit rod retention
- Strong closed edges
- Optimized for 50 mm (2") idle roller diameter, 40 mm (1.6") possible
- Lug teeth sprockets

Available pattern

- Fully covered by GripTop or in rows of any distance in multiples of 25.4 mm (1")
- With indent 38 mm (1.5") or without indent



Belt data

Belt material		PP		POM	
GripTop material		TPE		PA	
Rod material		PP		POM	
Nominal tensile strength F_N	N/m lb/ft	16200 1110	16200 1110	26300 1802	26300 1802
Temperature range	°C °F	5 - 60 40 - 140	5 - 60 40 - 140	-40 - 60 -40 - 140	-40 - 60 -40 - 140
Belt weight m_B	kg/m ² lb/sqft	6.9 1.42	6.9 1.42	9.9 2.03	9.9 2.03

Diameter of idling rollers (minimum)		Diameter of support rollers (minimum)		Diameter for gravity take-up and center drive rollers (minimum)		Backbending radius for elevators without sideguards or hold down devices (minimum)	
mm	inch	mm	inch	mm	inch	mm	inch
40	1.6	50	2	100	4	150	6

Use the largest possible backbending radius for elevators with side guards or hold down devices.

Standard range of belt widths b_0

mm (nom.)	76	152	229	305	381	457	533	610	686	762	838	914	991	etc.
inch (nom.)	3	6	9	12	15	18	21	24	27	30	33	36	39	etc.

Real belt widths are in most cases 0.1% to 0.3% smaller.

Standard belt widths in increments of 76 mm (3"). Non-standard widths are offered in increments of 15.2 mm (0.6"). Smallest possible width 76 mm (3").

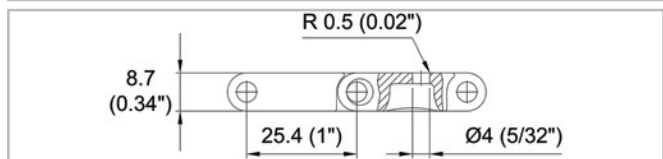
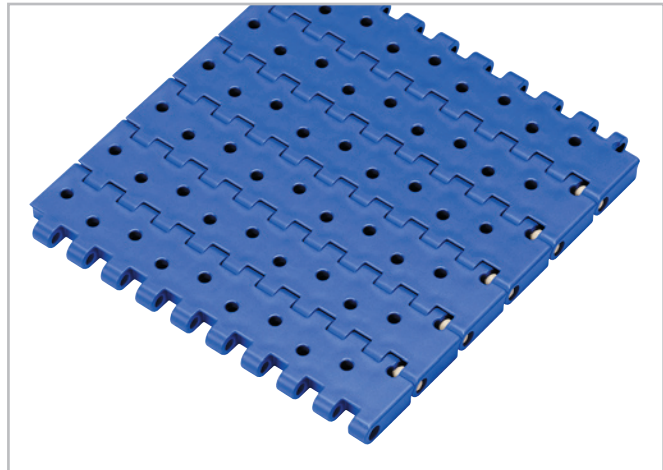
For detailed material properties refer to pages 276 - 281 or contact your Habasit representative.

The nominal tensile strength is valid for 23 °C (73 °F). The admissible tensile force depends on the operating temperature near the drive sprockets. Within the temperature range allowed, the admissible tensile force may vary from 100% to 20% of the nominal tensile strength. For detailed information and correct calculation of effective tensile force refer to the Calculation Guide in the HabasitLINK® Engineering Guidelines.

HabasitLINK® Straight 1" Pitch Belting M2472 Perforated Flat Top 1"

Description

- Imperial belt width
- 8.7 mm (0.34") thick
- 5.9% open area
- 4 mm (5/32") diameter vacuum holes
- Closed hinge
- Rod diameter 4.5 mm (0.18")
- Headless Smart Fit rod retention accessibility from the top
- Strong closed edges
- Beveled edges for smooth side transfer
- Lug teeth sprockets



Belt data

Belt material		PP		POM	
Rod material		PP		PP	
Nominal tensile strength F'_N straight run	N/m	17200	18500	30000	
	lb/ft	1178	1267	2055	
Temperature range	°C	5 - 105	5 - 93	-40 - 93	
	°F	40 - 220	40 - 200	-40 - 200	
Belt weight m_B	kg/m ²	5.65	5.65	8.67	
	lb/sqft	1.16	1.16	1.78	

Diameter of idling rollers (minimum)		Diameter of support rollers (minimum)		Diameter for gravity take-up and center drive rollers (minimum)		Backbending radius for elevators without sideguards or hold down devices (minimum)	
mm	inch	mm	inch	mm	inch	mm	inch
40	1.6	50	2	100	4	150	6

Standard range of belt widths b_0

mm (nom.)	152	305	457	610	762	914	1067	1219	1372	1524	1676	1829	1981	etc.
inch (nom.)	6	12	18	24	30	36	42	48	54	60	66	72	78	etc.

Real belt widths are in most cases 0.1% to 0.3% smaller.

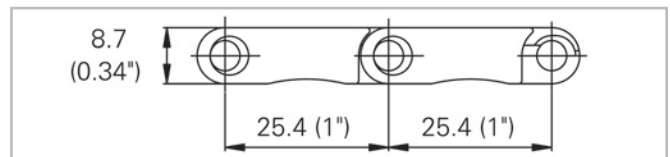
Standard belt widths in increments of 76 mm (3"). Non-standard widths are offered in increments of 15.2 mm (0.6"). Smallest possible width 76 mm (3").

For detailed material properties refer to pages 276 - 281 or contact your Habasit representative.

The nominal tensile strength is valid for 23 °C (73 °F). The admissible tensile force depends on the operating temperature near the drive sprockets. Within the temperature range allowed, the admissible tensile force may vary from 100% to 20% of the nominal tensile strength. For detailed information and correct calculation of effective tensile force refer to the Calculation Guide in the HabasitLINK® Engineering Guidelines.

Description

- 25% open area; 51% open contact area; largest opening size: 3.6 x 10.2 mm (0.14 x 0.40")
- Closed hinge
- Rod diameter 4.5 mm (0.18")
- Headless Smart Fit rod retention
- Beveled edges for smooth side transfer
- Optimized for 50 mm (2") idle roller diameter 40 mm (1.6") possible
- Lug teeth sprockets



Belt data

Belt material		POM			PP		
Rod material		PA	PBT	PP	POM	PA	
Nominal tensile strength F'_N straight run	N/m lb/ft	30000 2055	22000 1507	19000 1302	17000 1165	17000 1165	17000 1165
Temperature range	°C	-40 - 93	-40 - 93	5 - 93	5 - 105	5 - 93	5 - 105
	°F	-40 - 200	-40 - 200	40 - 200	40 - 220	40 - 200	40 - 220
Belt weight m_B	kg/m ²	7.7	7.7	7.7	4.9	4.9	4.9
	lb/sqft	1.57	1.57	1.57	1.0	1.0	1.0

Diameter of idling rollers (minimum)		Diameter of support rollers (minimum)		Diameter for gravity take-up and center drive rollers (minimum)		Backbending radius for elevators without sideguards or hold down devices (minimum)	
mm	inch	mm	inch	mm	inch	mm	inch
40	1.6	50	2	100	4	150	6

Standard range of belt widths b_0

mm (nom.)	76	152	229	305	381	457	533	610	686	762	838	914	991	etc.
inch (nom.)	3	6	9	12	15	18	21	24	27	30	33	36	39	etc.

Real belt widths are in most cases 0.1% to 0.3% smaller.

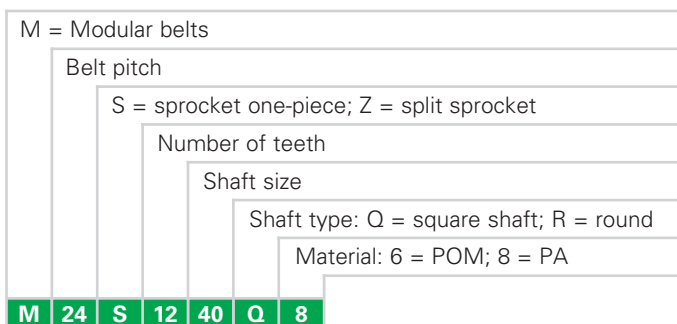
Standard belt widths in increments of 76 mm (3"). Non-standard widths are offered in increments of 15.2 mm (0.6"). Smallest possible width 76 mm (3").

For detailed material properties refer to pages 276 - 281 or contact your Habasit representative.

The nominal tensile strength is valid for 23 °C (73 °F). The admissible tensile force depends on the operating temperature near the drive sprockets. Within the temperature range allowed, the admissible tensile force may vary from 100% to 20% of the nominal tensile strength. For detailed information and correct calculation of effective tensile force refer to the Calculation Guide in the HabasitLINK® Engineering Guidelines.

HabasitLINK® Sprockets - 1" Pitch Belting

Sprocket Series M2400



Sprocket availability

Type	Number of teeth	Diam. of pitch $\varnothing d_p$ A ₁				Hub width B _L		Square bore Q		Ø Round bore R		Standard material
		mm	inch	mm	inch	mm	inch	mm	inch	mm	inch	
S	12	99.5	3.9	45.1	1.78	25	0.98	40	1.5	30	1	PA
S	18	148.3	5.8	69.4	2.73	25	0.98	40 / 60	1.5 / 2.5	-	-	PA
S-C1	12	99.5	3.9	45.1	1.78	25	0.98	-	-	40	1.5	PA
S-C1	15	123.9	4.9	57.2	2.25	25	0.98	60	-	-	-	PA
S-C1	18	148.3	5.8	69.4	2.73	25	0.98	-	-	30 / 40 / 50	1 / 1.5	PA
S-C1	20	164.6	6.5	77.5	3.05	25	0.98	-	-	40 / 50	1.5	PA

S: molded sprockets; S-C1: machined sprockets. Other sprocket and hub sizes on request.

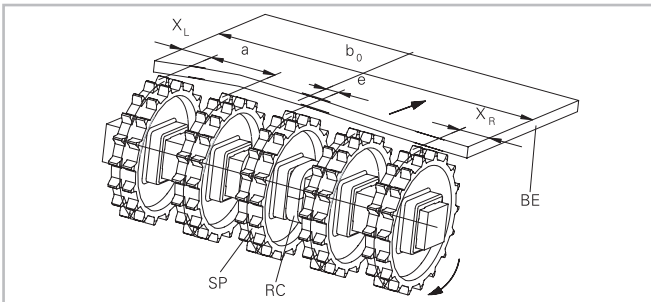
Key ways for round bore shape follow European standards for metric sizes and US standards for imperial sizes. For detailed dimensions see table in the Design Guide.

Other materials available on request.

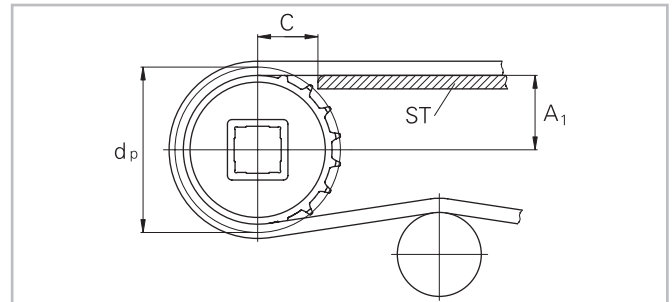


Sprocket one-piece (solid)

Sprocket arrangement



BE Belt
RC Retainer
SP Sprocket
b₀ belt width



The distance **C** between the sprocket axis and the slider support **ST** is minimal 28 mm (1.1").

Wearstrips

Between driving shaft and idling sprockets or rollers the belt is carried by a slider support furnished with longitudinal wear strips (SL) from UHMW Polyethylene or other suitable material.

Sprocket positioning

For correct positioning of the center sprocket divide the belt width by the link increment. The rounded result will be an even or an odd number. These numbers are the criteria for offset or no offset, see table.

Belt type	Sprocket spacing a		Sprocket edge distance (minimal)		Criteria for center sprocket position	Result of formula (rounded)	Offset e	Remarks
	minimal	maximal	X _L	X _R				
	mm inch	mm inch	mm inch	mm inch				
M2420	51	170	42.5	42.5	$b_0 / 17$ $b_0 / 0.67$	even number (2, 4, 6 ...)	8.5 0.33	right or left side
	2	6.7	1.67	1.67		odd number (3, 5, 7 ...)	0	no offset
M2470 M2480	50.8	152.4	23	23	$b_0 / 15.24$ $b_0 / 0.6$	even number (2, 4, 6 ...)	7.6 0.29	right or left side
	2	6	0.9	0.9		odd number (3, 5, 7 ...)	0	no offset

HabasitLINK® Sprockets - 1" Pitch Belting

Sprocket Series M2400

Numbers of sprockets and wearstrips for M2420

Standard belt width (nominal)		Number of sprockets per shaft	Number of wearstrips	
mm	<i>inch</i>	min. number	Carryway (top)	Returnway (bottom)
85	3.3	1	2	2
170	6.7	2	2	2
255	10.0	2	3	2
340	13.4	2	3	2
425	16.7	3	4	3
510	20.1	3	4	3
595	23.4	4	5	3
680	26.8	4	5	3
765	30.1	5	6	4
850	33.5	5	6	4
935	36.8	6	7	4
1'020	40.2	6	7	4
1'105	43.5	7	8	5
1'190	46.9	7	8	5
1'275	50.2	8	9	5
1'360	53.5	8	9	5
1'445	56.9	9	10	6
1'530	60.2	9	10	6
1'615	63.6	10	11	6
1'700	66.9	10	11	6
1'785	70.3	11	12	7
1'870	73.6	11	12	7
1'955	77.0	12	13	7
2'040	80.3	12	13	7

The number of sprockets depends on the belt load and may be different for driving and idling shafts. For calculation of correct sprocket number please use LINK-SeleCalc.

Numbers of sprockets and wearstrips for M2470, M2480

Standard belt width (nominal)		Number of sprockets per shaft	Number of wearstrips	
mm	<i>inch</i>	min. number	Carryway (top)	Returnway (bottom)
76	3.0	1	2	2
152	6.0	2	3	2
229	9.0	2	3	2
305	12.0	2	4	2
381	15.0	3	4	3
457	18.0	3	5	3
533	21.0	3	5	3
610	24.0	3	6	3
686	27.0	5	6	4
762	30.0	5	7	4
838	33.0	5	7	4
914	36.0	5	8	4
991	39.0	7	8	5
1'067	42.0	7	9	5
1'143	45.0	7	9	5
1'219	48.0	7	10	5
1'295	51.0	9	10	6
1'372	54.0	9	11	6
1'448	57.0	9	11	6
1'524	60.0	9	12	6
1'600	63.0	11	12	7
1'676	66.0	11	13	7
1'753	69.0	11	13	7
1'829	72.0	11	14	7
1'905	75.0	13	14	8
1'981	78.0	13	15	8
2'057	81.0	13	15	8

The number of sprockets depends on the belt load and may be different for driving and idling shafts. For calculation of correct sprocket number please use LINK-SeleCalc.

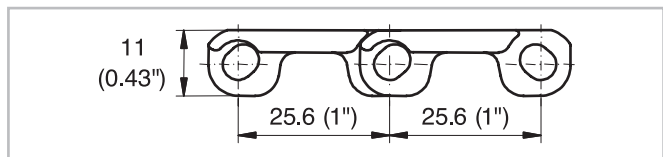
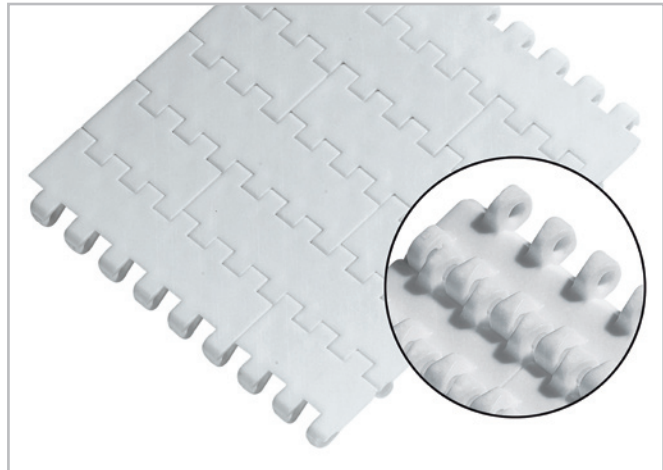
HabasitLINK® Straight 1" Pitch Belting M2510 Flat Top 1"

Description

- 0% open area
- Dynamic open hinge, easy to clean
- Food approved materials
- Rod diameter 5 mm (0.2")
- "Open window" sprockets

Available accessories

- Flights and Scoops
- Sideguards
- Hold down devices



Belt data

Belt material		PP	PE	POM	
Rod material		PP	PE	PP	PA
Nominal tensile strength F'_N straight run	N/m	14000	8000	16000	21900
	lb/ft	959	548	1096	1500
Temperature range	°C	5 - 105	-70 - 65	5 - 93	-40 - 93
	°F	40 - 220	-94 - 150	40 - 200	-40 - 200
Belt weight m_B	kg/m ²	4.9	5.2	7.3	7.3
	lb/sqft	1.00	1.05	1.49	1.49

Diameter of idling rollers (minimum)		Diameter of support rollers (minimum)		Diameter for gravity take-up and center drive rollers (minimum)		Backbending radius for elevators without sideguards or hold down devices (minimum)		Backbending radius for elevators with sideguards or hold down devices (minimum)	
mm	inch	mm	inch	mm	inch	mm	inch	mm	inch
40	1.6	50	2	100	4	150	6	250	10

Use the largest possible backbending radius for elevators with side guards or hold down devices.

Standard range of belt widths b_0

mm (nom.)	50	100	150	200	250	300	350	400	450	500	550	600	650	700	etc.
inch (nom.)	2	4	6	8	10	12	14	16	18	20	22	24	26	28	etc.

Real belt widths are in most cases 0.1% to 0.3% smaller.

Standard belt widths in increments of 50 mm (2"). Non-standard widths are offered in increments of 16.66 mm (0.66"). Smallest possible width 83.4 mm (3.25"). Non-bricklaid belts 50 mm (2") and 100 mm (4") wide.

For detailed material properties refer to pages 276 - 281 or contact your Habasit representative.

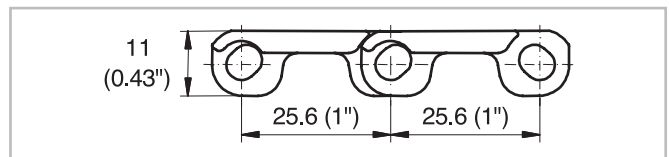
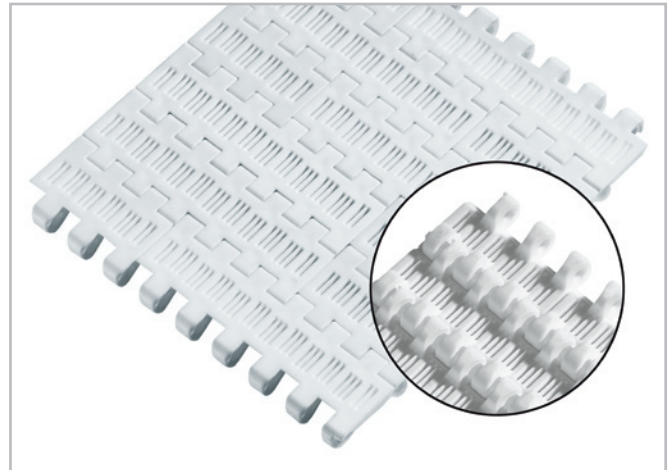
The nominal tensile strength is valid for 23 °C (73 °F). The admissible tensile force depends on the operating temperature near the drive sprockets. Within the temperature range allowed, the admissible tensile force may vary from 100% to 20% of the nominal tensile strength. For detailed information and correct calculation of effective tensile force refer to the Calculation Guide in the HabasitLINK® Engineering Guidelines.

Description

- 16% open area; largest opening 1.2x10 mm (0.05"x0.4")
- Dynamic open hinge, easy to clean
- Food approved materials
- Rod diameter 5 mm (0.2")
- "Open window" sprockets

Available accessories

- Flights and Scoops
- Sideguards
- Hold down devices



Belt data

Belt material		PP	PE	POM	
Rod material		PP	PE	PP	PA
Nominal tensile strength F'_N straight run	N/m	11000	7000	15000	18000
	lb/ft	753	479	1027	1233
Temperature range	°C	5 - 105	-70 - 65	5 - 93	-40 - 93
	°F	40 - 220	-94 - 150	40 - 200	-40 - 200
Belt weight m_B	kg/m ²	4.5	4.7	6.5	6.5
	lb/sqft	0.92	0.96	1.33	1.33

Diameter of idling rollers (minimum)		Diameter of support rollers (minimum)		Diameter for gravity take-up and center drive rollers (minimum)		Backbending radius for elevators without sideguards or hold down devices (minimum)		Backbending radius for elevators with sideguards or hold down devices (minimum)	
mm	inch	mm	inch	mm	inch	mm	inch	mm	inch
40	1.6	50	2	100	4	150	6	250	10

Use the largest possible backbending radius for elevators with side guards or hold down devices.

Standard range of belt widths b_0

mm (nom.)	50	100	150	200	250	300	350	400	450	500	550	600	650	700	etc.
inch (nom.)	2	4	6	8	10	12	14	16	18	20	22	24	26	28	etc.

Real belt widths are in most cases 0.1% to 0.3% smaller.

Standard belt widths in increments of 50 mm (2"). Non-standard widths are offered in increments of 16.66 mm (0.66"). Smallest possible width 83.4 mm (3.25"). Non-bricklaid belts 50 mm (2") and 100 mm (4") wide.

For detailed material properties refer to pages 276 - 281 or contact your Habasit representative.

The nominal tensile strength is valid for 23 °C (73 °F). The admissible tensile force depends on the operating temperature near the drive sprockets. Within the temperature range allowed, the admissible tensile force may vary from 100% to 20% of the nominal tensile strength. For detailed information and correct calculation of effective tensile force refer to the Calculation Guide in the HabasitLINK® Engineering Guidelines.

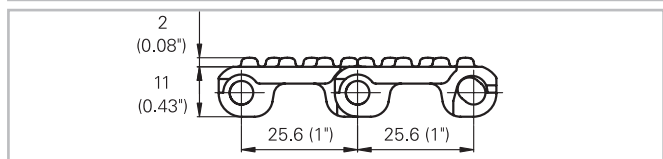
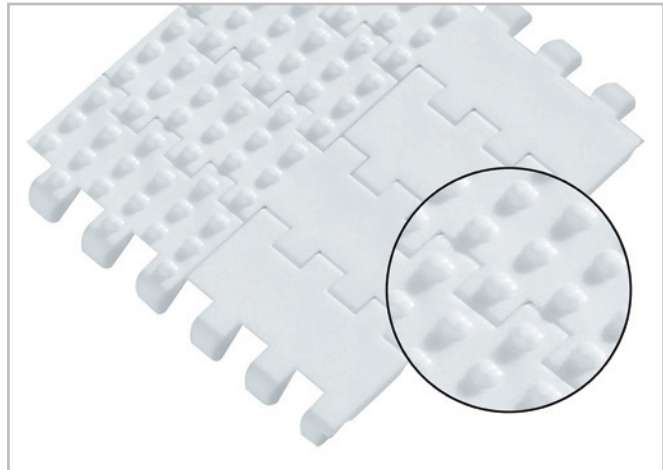
HabasitLINK® Straight 1" Pitch Belting M2514 Nub Top 1"

Description

- 0% open area
- Non-adhesive due to reduced contact surface
- Open hinge, easy to clean
- Standard indent 50 mm (2")
- Rod diameter 5 mm (0.2")
- "Open window" sprockets
- Food approved materials

Available accessories

- Flights and Scoops
- Sideguards
- Hold down devices



Belt data

Belt material		PP	PE	POM	
Rod material		PP	PE	PA	
Nominal tensile strength F'_N straight run	N/m lb/ft	14000 959	8000 548	7000 479	21900 1500
Temperature range	°C °F	5 - 105 40 - 220	-70 - 65 -94 - 150	-40 - 65 -40 - 150	-40 - 93 -40 - 200
Belt weight m_B	kg/m ² lb/sqft	5.1 1.05	5.4 1.11	7.7 1.57	7.7 1.57

Diameter of idling rollers (minimum)		Diameter of support rollers (minimum)		Diameter for gravity take-up and center drive rollers (minimum)		Backbending radius for elevators without sideguards or hold down devices (minimum)		Backbending radius for elevators with sideguards or hold down devices (minimum)	
mm	inch	mm	inch	mm	inch	mm	inch	mm	inch
40	1.6	50	2	100	4	150	6	250	10

Use the largest possible backbending radius for elevators with side guards or hold down devices.

Standard range of belt widths b_0

mm (nom.)	200	250	300	350	400	450	500	550	600	650	etc.
inch (nom.)	8	10	12	14	16	18	20	22	24	26	etc.

Real belt widths are in most cases 0.1% to 0.3% smaller.

Standard belt widths in increments of 50 mm (2"). Non-standard widths are offered in increments of 16.66 mm (0.66"). Min. width: 200 mm (8")

For detailed material properties refer to pages 276 - 281 or contact your Habasit representative.

The nominal tensile strength is valid for 23 °C (73 °F). The admissible tensile force depends on the operating temperature near the drive sprockets. Within the temperature range allowed, the admissible tensile force may vary from 100% to 20% of the nominal tensile strength. For detailed information and correct calculation of effective tensile force refer to the Calculation Guide in the HabasitLINK® Engineering Guidelines.

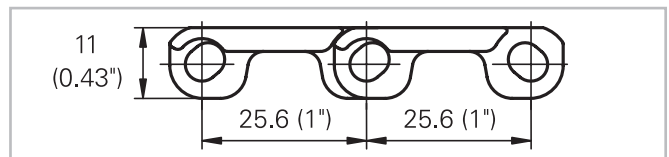
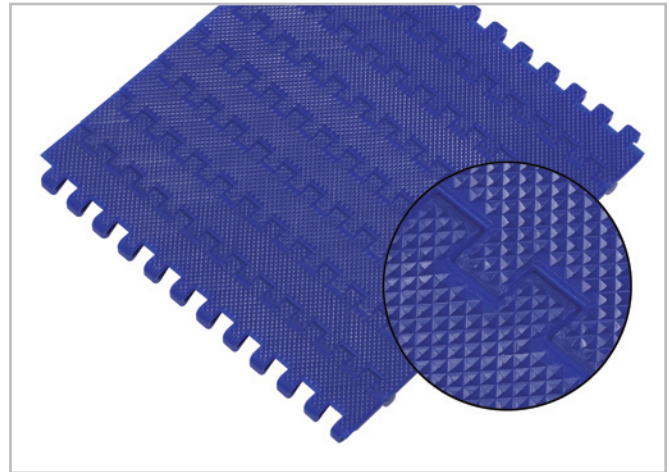
HabasitLINK® Straight 1" Pitch Belting M2516 Diamond Top 1"

Description

- 0% open area
- Non-adhesive due to reduced contact surface
- Dynamic open hinge, easy to clean
- Rod diameter 5 mm (0.2")
- "Open window" sprockets
- Food approved materials
- Optional staggered indent 50/100mm (2"/4")

Available accessories

- Sideguards
- Flights and Scoops
- Hold down devices



Belt data

Belt material		PP	PE	POM	
Rod material		PP	PE	PA	
Nominal tensile strength F'_N straight run	N/m lb/ft	14000 959	8000 548	8000 548	21900 1500
Temperature range	°C	5 - 105	-70 - 65	-40 - 65	-40 - 93
	°F	40 - 220	-94 - 150	-40 - 150	-40 - 200
Belt weight m_B	kg/m ²	4.9	5.2	7.5	7.5
	lb/sqft	1.01	1.06	1.53	1.53

Diameter of idling rollers (minimum)		Diameter of support rollers (minimum)		Diameter for gravity take-up and center drive rollers (minimum)		Backbending radius for elevators without sideguards or hold down devices (minimum)		Backbending radius for elevators with sideguards or hold down devices (minimum)	
mm	inch	mm	inch	mm	inch	mm	inch	mm	inch
40	1.6	50	2	100	4	150	6	250	10

Use the largest possible backbending radius for elevators with side guards or hold down devices.

Standard range of belt widths b_0

mm (nom.)	50	100	150	200	250	300	350	400	450	500	550	600	650	700	etc.
inch (nom.)	2	4	6	8	10	12	14	16	18	20	22	24	26	28	etc.

Real belt widths are in most cases 0.1% to 0.3% smaller.

Standard belt widths in increments of 50 mm (2"). Non-standard widths are offered in increments of 16.66 mm (0.66"). Smallest possible width 83.4 mm (3.25"). Non-bricklaid belts 200 mm (8") wide.

For detailed material properties refer to pages 276 - 281 or contact your Habasit representative.

The nominal tensile strength is valid for 23 °C (73 °F). The admissible tensile force depends on the operating temperature near the drive sprockets. Within the temperature range allowed, the admissible tensile force may vary from 100% to 20% of the nominal tensile strength. For detailed information and correct calculation of effective tensile force refer to the Calculation Guide in the HabasitLINK® Engineering Guidelines.

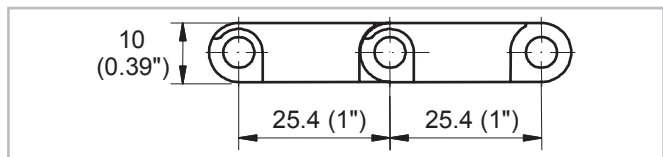
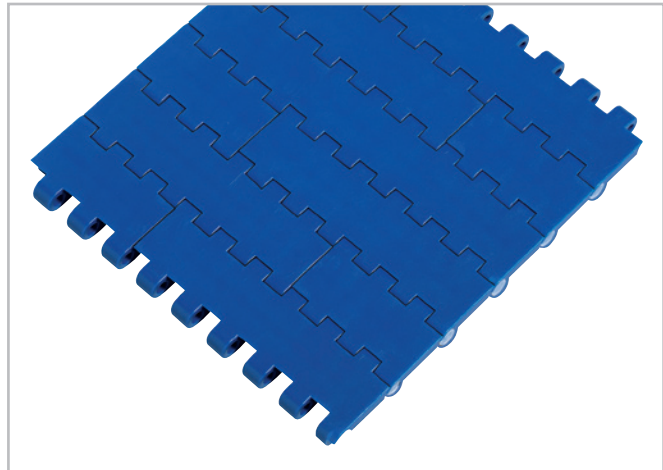
HabasitLINK® Straight 1" Pitch Belting M2520 Flat Top 1"

Description

- 0% open area
- High lateral stiffness
- Food approved materials
- Rod diameter 5 mm (0.2")
- "Open window" sprockets

Available accessories

- Flights and Scoops
- Sideguards
- Hold down devices
- GripTop modules



Belt data

Belt material		PP		PE	POM	
Rod material		PP	POM	PE	PP	PA
Nominal tensile strength F'_N straight run	N/m	18000	18000	9000	21500	32000
	lb/ft	1233	1233	616	1473	2192
Temperature range	°C	5 - 105	5 - 93	-70 - 65	5 - 93	-40 - 93
	°F	40 - 220	40 - 200	-94 - 150	40 - 200	-40 - 200
Belt weight m_B	kg/m ²	5.5	5.5	5.8	8.4	8.4
	lb/sqft	1.13	1.13	1.19	1.71	1.71

Diameter of idling rollers (minimum)		Diameter of support rollers (minimum)		Diameter for gravity take-up and center drive rollers (minimum)		Backbending radius for elevators without sideguards or hold down devices (minimum)		Backbending radius for elevators with sideguards or hold down devices (minimum)	
mm	inch	mm	inch	mm	inch	mm	inch	mm	inch
40	1.6	50	2	100	4	150	6	250	10

Use the largest possible backbending radius for elevators with side guards or hold down devices.

Standard range of belt widths b_0

mm (nom.)	50	100	150	200	250	300	350	400	450	500	550	600	650	700	etc.
inch (nom.)	2	4	6	8	10	12	14	16	18	20	22	24	26	28	etc.

Real belt widths are in most cases 0.1% to 0.3% wider.

Standard belt widths in increments of 50 mm (2"). Non-standard widths are offered in increments of 16.66 mm (0.66"). Smallest possible width 83.4 mm (3.25"). Non-bricklaid belts 50 mm (2") and 100 mm (4") wide.

For detailed material properties refer to pages 276 - 281 or contact your Habasit representative.

The nominal tensile strength is valid for 23 °C (73 °F). The admissible tensile force depends on the operating temperature near the drive sprockets. Within the temperature range allowed, the admissible tensile force may vary from 100% to 20% of the nominal tensile strength. For detailed information and correct calculation of effective tensile force refer to the Calculation Guide in the HabasitLINK® Engineering Guidelines.

HabasitLINK® Straight 1" Pitch Belting M2520 Flat Top 1"

Belt data for special belt materials

Belt material		PBT +FR		PA +GF	ST	PA +HT
Rod material		PP	PA	ST		
Sprocket material ⁽¹⁾		Standard		ST		
Belt width		Standard		see table		
Flammability classification UL 94 ⁽²⁾		V0		HB	V0	HB
Flammability classification ISO 340 ⁽²⁾		yes		no		no
Nominal tensile strength F _N straight run	N/m	16000	15000	24000	12000	24000
	lb/ft	1027	959	1644	822	1644
Temperature range	°C	5 - 105	-40 - 130	0 - 145	0 - 200	0 - 170
	°F	40 - 220	-40 - 266	32 - 293	32 - 392	32 - 338
Temperature maximum (short-term)	°C		150	175	240	200
	°F		302	347	464	392
Belt weight m _b	kg/m ²	8.9	8.9	9.0	10.8	9.0
	lb/sqft	1.82	1.82	1.85	2.21	1.85

Belt width for Polyamide +GF, Polyamide +HT and Super High Temperature material (ST)

mm (nom.)	50.8	101.7	152.5	203.3	254.2	305.0	355.8	406.7	457.5	508.3	559.2	610.0	etc.
inch (nom.)	2.00	4.00	6.00	8.00	10.01	12.01	14.01	16.01	18.01	20.01	22.02	24.02	etc.

HabasitLINK® Straight 1" Pitch Belting M2520 GripTop 1"

Description

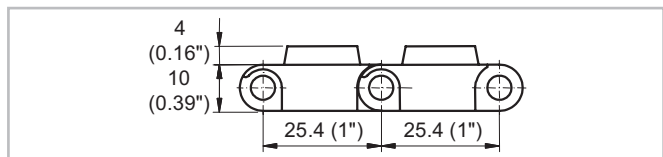
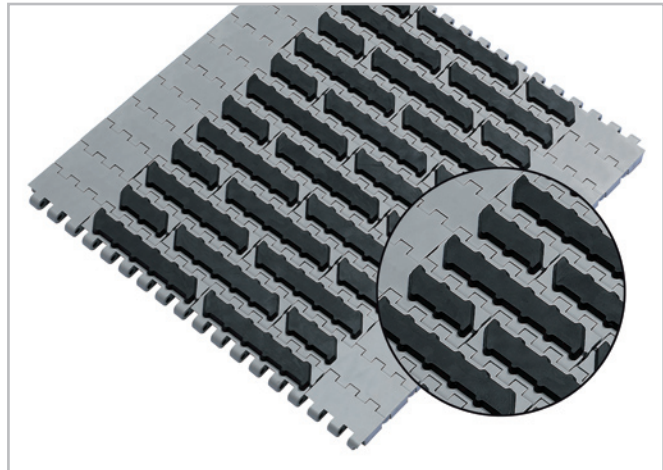
- 0% open area
- Food approved materials
- Abrasion resistant GripTop, high friction
- Rubber hardness: 50 shore A
- Rod diameter 5 mm (0.2")
- "Open window" sprockets

Proposed pattern

- Indent 50 mm (2")
- Fully covered by GripTop or in rows of any distance in multiples of 25.4 mm (1")

Available accessories

- Flights
- Hold down devices



Belt data

Belt material		PP		POM		PBT +FR	
GripTop material		TPE					
Rod material		PP	POM	PP	PA		
Nominal tensile strength F'_N straight run	N/m	14000	18000	18000	26000	16000	
	lb/ft	959	1233	1233	1781	1027	
Temperature range	°C	5 - 60	5 - 60	5 - 60	-40 - 60	-40 - 60	
	°F	40 - 140	40 - 140	40 - 140	-40 - 140	-40 - 266	
Belt weight m_B	kg/m ²	8.7	8.7	11.4	11.4	14.2	
	lb/sqft	1.74	1.74	2.34	2.34	2.9	

The PBT +FR belt fulfills UL 94 V0 and ISO 340.

Diameter of idling rollers (minimum)		Diameter of support rollers (minimum)		Diameter for gravity take-up and center drive rollers (minimum)		Backbending radius for elevators without sideguards or hold down devices (minimum)		Backbending radius for elevators with sideguards or hold down devices (minimum)	
mm	inch	mm	inch	mm	inch	mm	inch	mm	inch
40	1.6	50	2	100	4	150	6	250	10

Use the largest possible backbending radius for elevators with side guards or hold down devices.

Standard range of belt widths b_0

mm (nom.)	150	200	300	400	500	600	700	800	900	1000	1100	1200	1300	1400	1500	etc.
inch (nom.)	6	8	12	16	20	24	28	32	36	40	43	47	51	55	59	etc.

Real belt widths are in most cases 0.1% to 0.3% wider.

Standard belt widths in increments of 50 mm (2"). Non-standard widths are offered in increments of 16.66 mm (0.66"). Min. width: 200 mm (8")

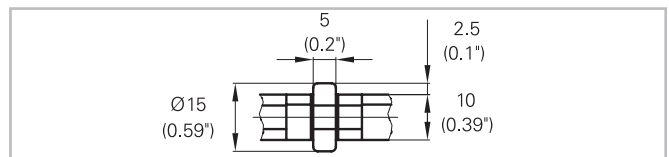
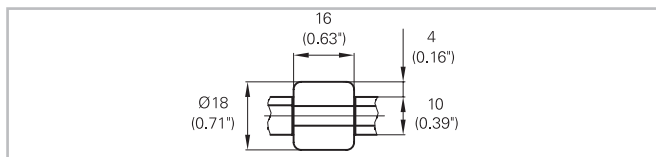
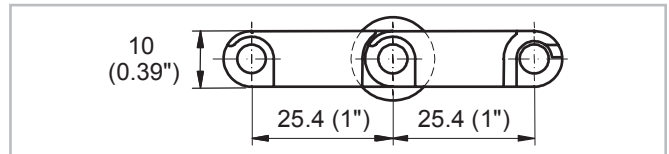
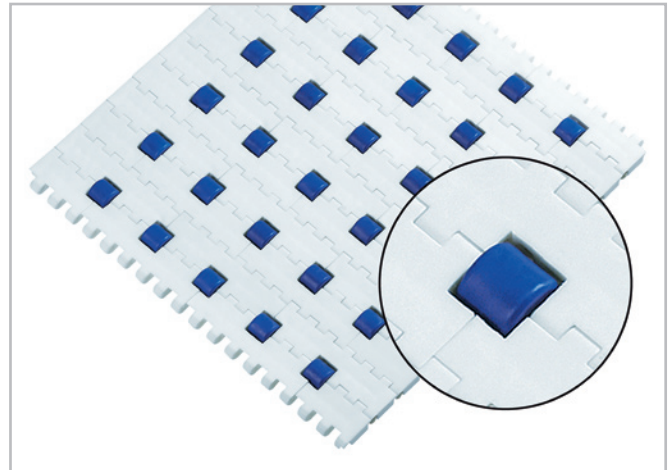
For detailed material properties refer to pages 276 - 281 or contact your Habasit representative.

The nominal tensile strength is valid for 23 °C (73 °F). The admissible tensile force depends on the operating temperature near the drive sprockets. Within the temperature range allowed, the admissible tensile force may vary from 100% to 20% of the nominal tensile strength. For detailed information and correct calculation of effective tensile force refer to the Calculation Guide in the HabasitLINK® Engineering Guidelines.

HabasitLINK® Straight 1" Pitch Belting M2520 Roller Top 1"

Description

- Roller lateral spacing see table belt data
- Rollers row spacing 50.8 mm (2")
- Roller dimensions Ø 15 mm, 5 mm wide (Ø 0.59" / 0.2") or Ø 18 mm, 16 mm wide (Ø 0.71" / 0.63")
- For low back pressure, wearstrips are placed between rollers
- For product driven application wearstrips are placed directly under the rollers
- High lateral stiffness
- Food approved materials
- Rod diameter 5 mm (0.2")



Belt data

Belt material		POM		
Rod material		PA		
Roller material		POM		
Roller lateral spacing per row	mm / inch	66 / 2.6	50 / 2	50 / 2
Roller offset next row	mm / inch	33 / 1.3	0 / 0	0 / 0
Roller dimension diameter / width	mm / inch	Ø 15 / 5 Ø 0.59 / 0.2_x000D_	Ø 15 / 5 Ø 0.59 / 0.2	Ø 18 / 16 Ø 0.71 / 0.63
Nominal tensile strength F _N straight run	N/m / lb/ft	24000 / 1644	26000 / 1781	21500 / 1473
Temperature range	°C / °F	-40 - 93 / -40 - 200	-40 - 93 / -40 - 200	-40 - 93 / -40 - 200
Belt weight m _B	kg/m ² / lb/sqft	8.4 / 1.72	8.4 / 1.72	8.4 / 1.72

Diameter of idling rollers (minimum)		Diameter of support rollers (minimum)		Diameter for gravity take-up and center drive rollers (minimum)		Backbending radius for elevators without sideguards or hold down devices (minimum)	
mm	inch	mm	inch	mm	inch	mm	inch
40	1.6	50	2	100	4	150	6

HabasitLINK® Straight 1" Pitch Belting M2520 Roller Top 1"

Standard range of belt widths b_0 and free edge

Belt width (mm) (nom.)	150	200	250	300	350	400	450	500	550	600	650	700	750	800	etc.
<i>Belt width (inch) (nom.)</i>	6	8	10	12	14	16	18	20	22	24	26	28	30	32	etc.
Roller lateral spacing per row 66 mm / offset next row with rollers 33 mm (roller Ø 15 / 5)															
Free edge (mm)	21.5/ 21.5	21.5/ 38.5	21.5/ 21.5	21.5/ 38.5	21.5/ 21.5	21.5/ 38.5	21.5/ 21.5	21.5/ 38.5	21.5/ 21.5	21.5/ 38.5	21.5/ 21.5	21.5/ 38.5	21.5/ 21.5	21.5/ 38.5	etc.
<i>Free edge (inch)</i>	0.8/ 0.8	0.8/ 1.5	0.8/ 0.8	0.8/ 1.5	0.8/ 0.8	0.8/ 1.5	0.8/ 0.8	0.8/ 1.5	0.8/ 0.8	0.8/ 1.5	0.8/ 0.8	0.8/ 1.5	0.8/ 0.8	0.8/ 1.5	etc.
Sprockets	3	5	6	8	9	11	12	14	15	17	18	20	21	23	etc.
Rollers (4 rows)	4	5	7	8	10	11	13	14	16	17	19	20	22	23	etc.
Roller lateral spacing per row 50 mm / offset next row with rollers 0 mm (roller Ø 15 / 5)															
Free edge (mm)	47.5	47.5	47.5	47.5	47.5	47.5	47.5	47.5	47.5	47.5	47.5	47.5	47.5	47.5	etc.
<i>Free edge (inch)</i>	1.9	1.9	1.9	1.9	1.9	1.9	1.9	1.9	1.9	1.9	1.9	1.9	1.9	1.9	etc.
Sprockets	3	4	5	6	7	8	9	10	11	12	13	14	15	16	etc.
Rollers (4 rows)	4	6	8	10	12	14	16	18	20	22	24	26	28	30	etc.
Roller lateral spacing per row 50 mm / offset next row with rollers 0 mm (roller Ø 18 / 16)															
Free edge (mm)	41.5	41.5	41.5	41.5	41.5	41.5	41.5	41.5	41.5	41.5	41.5	41.5	41.5	41.5	etc.
<i>Free edge (inch)</i>	1.6	1.6	1.6	1.6	1.6	1.6	1.6	1.6	1.6	1.6	1.6	1.6	1.6	1.6	etc.
Sprockets	3	4	5	6	7	8	9	10	11	12	13	14	15	16	etc.
Rollers (4 rows)	4	6	8	10	12	14	16	18	20	22	24	26	28	30	etc.

Real belt widths are in most cases 0.1% to 0.3% wider.

Standard belt widths in increments of 50 mm (2"). Smallest possible width 200 mm (7.9").

For detailed material properties refer to pages 276 - 281 or contact your Habasit representative.

The nominal tensile strength is valid for 23 °C (73 °F). The admissible tensile force depends on the operating temperature near the drive sprockets. Within the temperature range allowed, the admissible tensile force may vary from 100% to 20% of the nominal tensile strength. For detailed information and correct calculation of effective tensile force refer to the Calculation Guide in the HabasitLINK® Engineering Guidelines.

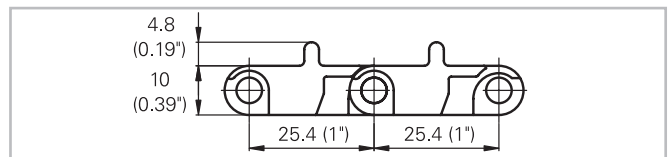
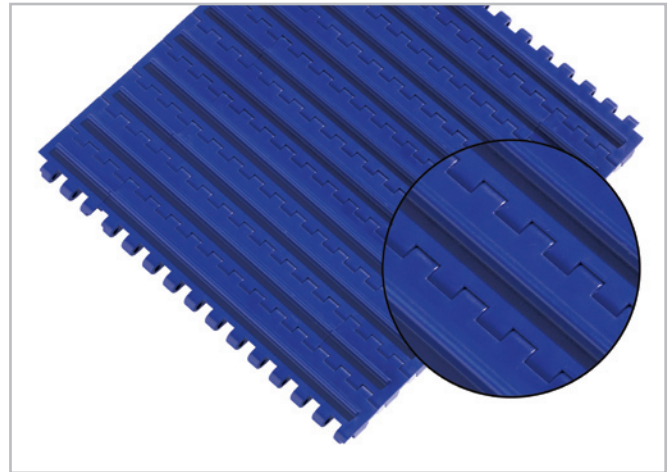
HabasitLINK® Straight 1" Pitch Belting M2527 Minirib 1"

Description

- 0% open area
- High lateral stiffness
- Minirib 4.8 mm (0.19") height, indent 6.3 mm (0.25")
- Food approved materials
- Rod diameter 5 mm (0.2")
- "Open window" sprockets

Available accessories

- Hold down devices
- Flights
- GripTop modules



Belt data

Belt material		PP	POM
Rod material		PP	PA
Nominal tensile strength F_N straight run	N/m lb/ft	18000 1233	32000 2192
Temperature range	°C °F	5 - 105 40 - 220	-40 - 93 -40 - 200
Belt weight m_B	kg/m ² lb/sqft	6.9 1.41	10.4 2.13

Diameter of idling rollers (minimum)		Diameter of support rollers (minimum)		Diameter for gravity take-up and center drive rollers (minimum)		Backbending radius for elevators without sideguards or hold down devices (minimum)		Backbending radius for elevators with sideguards or hold down devices (minimum)	
mm	inch	mm	inch	mm	inch	mm	inch	mm	inch
40	1.6	50	2	100	4	150	6	250	10

Use the largest possible backbending radius for elevators with side guards or hold down devices.

Standard range of belt widths b_0

mm (nom.)	250	350	450	550	650	750	850	950	etc.
inch (nom.)	10	14	18	22	26	30	34	38	etc.

Real belt widths are in most cases 0.1% to 0.3% smaller.

Standard belt widths in increments of 100 mm (4"). Non-standard widths are offered in increments of 16.66 mm (0.66"). Smallest possible width 150 mm (6").

For detailed material properties refer to pages 276 - 281 or contact your Habasit representative.

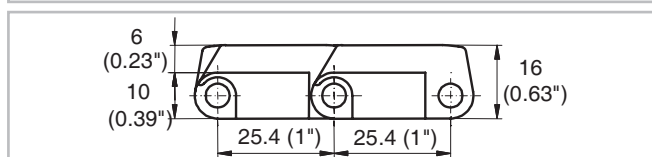
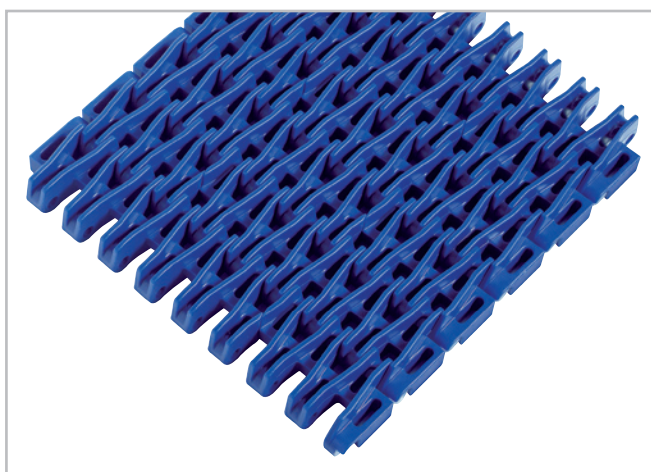
The nominal tensile strength is valid for 23 °C (73 °F). The admissible tensile force depends on the operating temperature near the drive sprockets. Within the temperature range allowed, the admissible tensile force may vary from 100% to 20% of the nominal tensile strength. For detailed information and correct calculation of effective tensile force refer to the Calculation Guide in the HabasitLINK® Engineering Guidelines.

Description

- 35% open area; 75% open contact area; largest opening 5.5x7 mm (0.22"x0.28")
- Excellent for cooling and draining
- Food approved materials
- Rod diameter 5 mm (0.2")

Available accessories

- Combs (finger transfer plates)



Belt data

Belt material		PP	POM	
Rod material		PP	PA	
Nominal tensile strength F'_N straight run	N/m	16000	19000	27000
	lb/ft	1096	1300	1850
Temperature range	°C	5 - 105	5 - 93	-40 - 93
	°F	40 - 220	40 - 200	-40 - 200
Belt weight m_B	kg/m ²	6.8	10.4	10.4
	lb/sqft	1.40	2.13	2.13

Diameter of idling rollers (minimum)		Diameter of support rollers (minimum)		Diameter for gravity take-up and center drive rollers (minimum)		Backbending radius for elevators without sideguards or hold down devices (minimum)	
mm	inch	mm	inch	mm	inch	mm	inch
40	1.6	50	2	100	4	150	6

Standard range of belt widths b_0

mm (nom.)	150	200	250	300	350	400	450	500	550	600	650	700	750	800	etc.
inch (nom.)	6	8	10	12	14	16	18	20	22	24	26	28	30	32	etc.

Real belt widths are in most cases 0.1% to 0.3% wider.

Standard belt widths in increments of 50 mm (2"). Non-standard widths are offered in increments of 16.66 mm (0.66"). Smallest possible width 83.4 mm (3.25").

For detailed material properties refer to pages 276 - 281 or contact your Habasit representative.

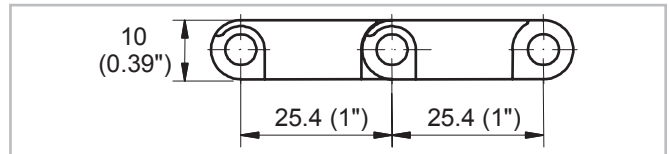
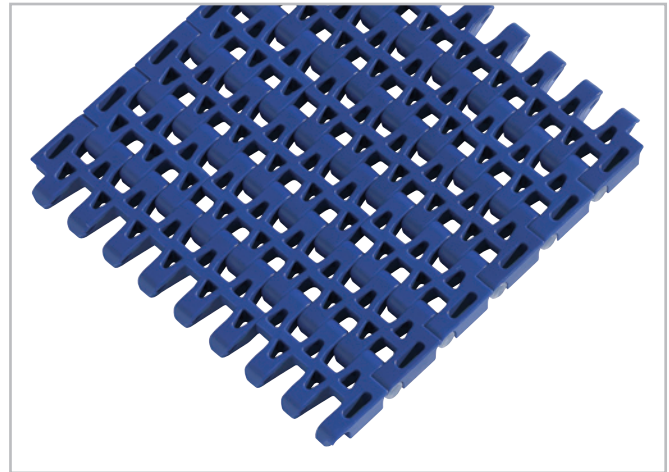
The nominal tensile strength is valid for 23 °C (73 °F). The admissible tensile force depends on the operating temperature near the drive sprockets. Within the temperature range allowed, the admissible tensile force may vary from 100% to 20% of the nominal tensile strength. For detailed information and correct calculation of effective tensile force refer to the Calculation Guide in the HabasitLINK® Engineering Guidelines.

Description

- 35% open area; 60% open contact area; largest opening 5.5x7 mm (0.22"x0.28")
- Excellent for cooling and draining
- Open hinge
- Food approved materials
- Rod diameter 5 mm (0.2")
- "Open window" sprockets

Available accessories

- Flights
- Sideguards
- Hold down devices
- GripTop modules



Belt data

Belt material		PP	PE	POM		PA +US	PA
Rod material		PP	PE	PP	PA		
Nominal tensile strength F'_N straight run	N/m	14000	8000	18000	24700	20000	20000
	lb/ft	959	548	1233	1692	1370	1370
Temperature range	°C	5 - 105	-70 - 65	5 - 93	-40 - 93	-46 - 118	-46 - 130
	°F	40 - 220	-94 - 150	40 - 200	-40 - 200	-50 - 245	-50 - 266
Temperature maximum (short-term)	°C					135	160
	°F					275	320
Belt weight m_b	kg/m ²	4.6	5.1	7.1	7.1	5.6	5.6
	lb/sqft	0.94	1.04	1.45	1.45	1.15	1.15

Diameter of idling rollers (minimum)		Diameter of support rollers (minimum)		Diameter for gravity take-up and center drive rollers (minimum)		Backbending radius for elevators without sideguards or hold down devices (minimum)		Backbending radius for elevators with sideguards or hold down devices (minimum)	
mm	inch	mm	inch	mm	inch	mm	inch	mm	inch
40	1.6	50	2	100	4	150	6	250	10

Use the largest possible backbending radius for elevators with side guards or hold down devices.

Standard range of belt widths b_0

mm (nom.)	150	200	250	300	350	400	450	500	550	600	650	700	750	800	etc.
inch (nom.)	6	8	10	12	14	16	18	20	22	24	26	28	30	32	etc.

Real belt widths are in most cases 0.1% to 0.3% smaller.

Standard belt widths in increments of 50 mm (2"). Non-standard widths are offered in increments of 16.66 mm (0.66"). Smallest possible width 83.4 mm (3.25").

For detailed material properties refer to pages 276 - 281 or contact your Habasit representative.

The nominal tensile strength is valid for 23 °C (73 °F). The admissible tensile force depends on the operating temperature near the drive sprockets. Within the temperature range allowed, the admissible tensile force may vary from 100% to 20% of the nominal tensile strength. For detailed information and correct calculation of effective tensile force refer to the Calculation Guide in the HabasitLINK® Engineering Guidelines.

Belt data for special belt materials

Belt material		PBT +FR		PP +FR		PA +GF	PA +HT	ST
Rod material		PP	PA	PP	PA	ST		
Sprocket material ⁽¹⁾		Standard				ST		
Belt width		Standard				see table		
Flammability classification UL 94 ⁽²⁾		V0				HB		V0
Flammability classification ISO 340 ⁽²⁾		yes		no				yes
Nominal tensile strength F'_N straight run	N/m	14000	15000	9000	9000	20000	20000	10000
	lb/ft	959	1027	617	617	1370	1370	685
Temperature range	°C	5 - 105	-40 - 130	5 - 105	5 - 105	0 - 145	0 - 170	0 - 200
	°F	40 - 220	-40 - 266	40 - 220	40 - 220	32 - 293	32 - 338	32 - 392
Temperature maximum (short-term)	°C		150			175	200	240
	°F		302			347	392	464
Belt weight m_B	kg/m ²	7.6	7.6	5.6	5.6	7.7	7.7	8.7
	lb/sqft	1.56	1.56	1.15	1.15	1.54	1.54	1.78

⁽¹⁾ In most cases standard sprockets are suitable. Depending on the application requirements it may be necessary to select a different sprocket material like Polyamide, Polyurethane or Polypropylene. For Polyamide +HT, Polyamide +GF and Super High Temperature belt materials it is recommended to use sprockets of the Super High Temperature material.

⁽²⁾ Flammability classification UL 94 and ISO 340 see Glossary in the HabasitLINK® Engineering Guidelines.

Belt width for Polyamide +GF, Polyamide +HT and Super High Temperature material

mm (nom.)	50.5	101.0	151.5	202.0	252.5	303.0	353.5	404.0	454.5	505.0	555.5	606.0	etc.
inch (nom.)	1.99	3.98	5.96	7.95	9.94	11.93	13.92	15.90	17.89	19.88	21.87	23.86	etc.

Real belt widths are in most cases 0.1% to 0.3% smaller.

Dimension change due to moisture

For Polyamide the dimension change due to moisture adsorption needs to be considered. For detailed information refer to the Calculation Guide in the HabasitLINK® Engineering Guidelines.

Dimension change due to temperature

For detailed information and correct calculation of length and width at varying temperature refer to the Calculation Guide in the HabasitLINK® Engineering Guidelines.

The nominal tensile strength is valid for 23 °C (73 °F). The admissible tensile force depends on the operating temperature near the drive sprockets. Within the temperature range allowed, the admissible tensile force may vary from 100% to 20% of the nominal tensile strength. For detailed information and correct calculation of effective tensile force refer to the Calculation Guide in the HabasitLINK® Engineering Guidelines.

HabasitLINK® Straight 1" Pitch Belting M2533 GripTop 1"

Description

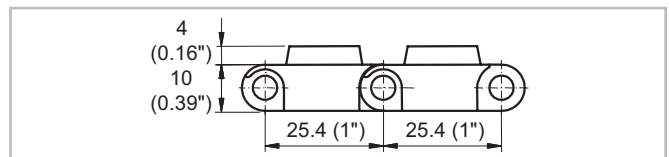
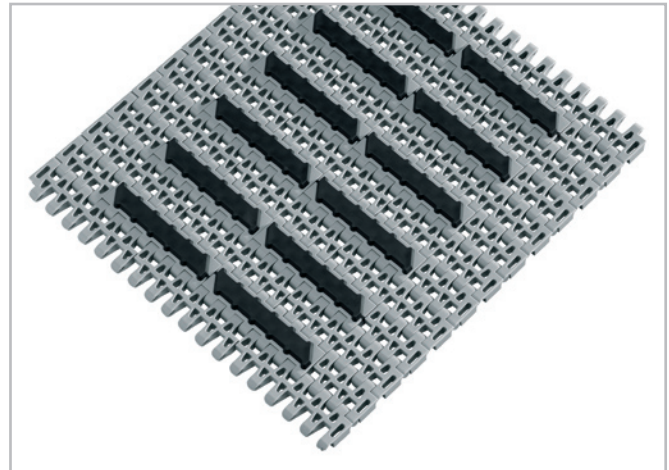
- Open area dependent on percentage of GripTop modules installed, as illustrated approx. 20%
- Food approved materials
- Abrasion resistant GripTop, high friction
- Rubber hardness: 50 shore A
- Rod diameter 5 mm (0.2")
- "Open window" sprockets

Proposed pattern

- Indent 50 mm (2")
- GripTop rows every 2nd, 4th, 6th module row (multiples of 50.8 mm (2"))

Available accessories

- Flights
- Hold down devices



Belt data

Belt material		PP				POM	
GripTop material		TPE					
Rod material		PP	POM	PP	POM	PP	PA
Nominal tensile strength F_N straight run	N/m	14000	14000	14000	14000	18000	22000
	lb/ft	959	959	959	959	1233	1507
Temperature range	°C	5 - 60	5 - 60	5 - 60	5 - 60	5 - 60	-40 - 60
	°F	40 - 140	40 - 140	40 - 140	40 - 140	40 - 140	-40 - 140
Belt weight m_B	kg/m ²	6.5	6.5	6.5	6.5	9.3	9.3
	lb/sqft	1.34	1.34	1.34	1.34	1.91	1.91
Standard belt color		grey	grey	white	white	blue	blue

Diameter of idling rollers (minimum)		Diameter of support rollers (minimum)		Diameter for gravity take-up and center drive rollers (minimum)		Backbending radius for elevators without sideguards or hold down devices (minimum)		Backbending radius for elevators with sideguards or hold down devices (minimum)	
mm	inch	mm	inch	mm	inch	mm	inch	mm	inch
40	1.6	50	2	100	4	150	6	250	10

Use the largest possible backbending radius for elevators with side guards or hold down devices.

Standard range of belt widths b_0

mm (nom.)	200	300	400	500	600	700	800	900	1000	1100	1200	1300	1400	1500	etc.
inch (nom.)	8	12	16	20	24	28	32	36	40	43	47	51	55	59	etc.

Real belt widths are in most cases 0.1% to 0.3% smaller.

Standard belt widths in increments of 50 mm (2"). Non-standard widths are offered in increments of 16.66 mm (0.66"), minimum indent 33.3 mm (1.5").

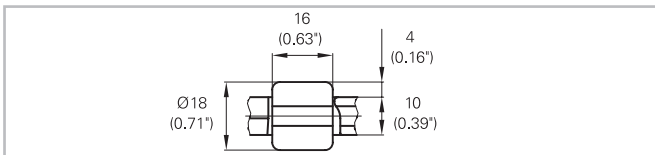
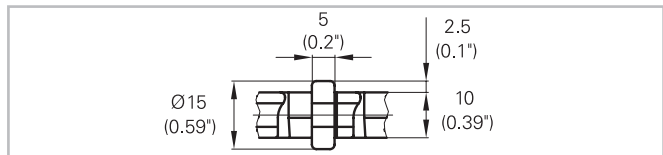
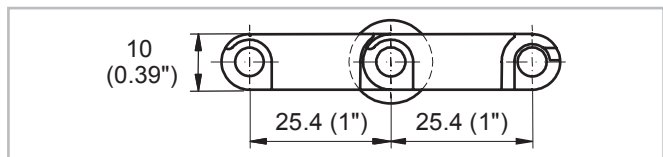
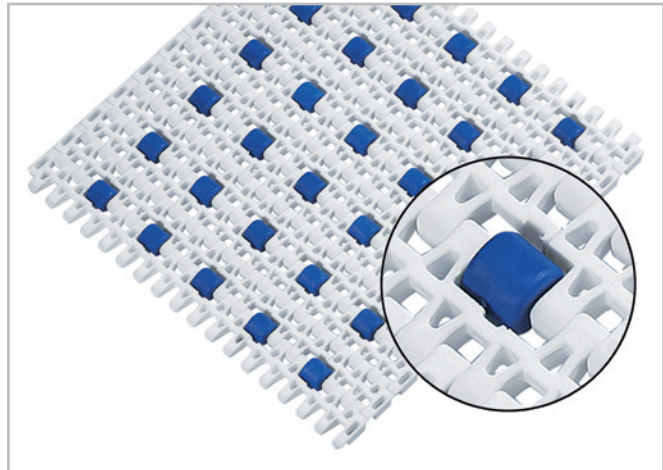
For detailed material properties refer to pages 276 - 281 or contact your Habasit representative.

The nominal tensile strength is valid for 23 °C (73 °F). The admissible tensile force depends on the operating temperature near the drive sprockets. Within the temperature range allowed, the admissible tensile force may vary from 100% to 20% of the nominal tensile strength. For detailed information and correct calculation of effective tensile force refer to the Calculation Guide in the HabasitLINK® Engineering Guidelines.

HabasitLINK® Straight 1" Pitch Belting M2533 Roller Top 1"

Description

- 35 % open area; largest opening 5.5x14 mm (0.22"x0.55")
- Roller lateral spacing see table belt data
- Rollers row spacing 50.8 mm (2")
- Roller dimensions Ø 15 mm, 5 mm wide (Ø 0.59" / 0.2") or Ø 18 mm, 16 mm wide (Ø 0.71" / 0.63")
- For low back pressure, wearstrips are placed between rollers
- For product driven application wearstrips are placed directly under the rollers
- Excellent for cooling and draining
- Open hinge
- Food approved materials
- Rod diameter 5 mm (0.2")



Belt data

Belt material		POM		
Rod material		PA		
Roller material		POM		
Roller lateral spacing per row	mm / inch	66 / 2.6	50 / 2	50 / 2
Roller offset next row	mm / inch	33 / 1.3	0 / 0	0 / 0
Roller dimension diameter / width	mm / inch	Ø 15 / 5 Ø 0.59 / 0.2	Ø 15 / 5 Ø 0.59 / 0.2	Ø 18 / 16 Ø 0.71 / 0.63
Nominal tensile strength F' _N straight run	N/m / lb/ft	18500 / 1267	20500 / 1404	16400 / 1123
Temperature range	°C / °F	-40 - 93 / -40 - 200	-40 - 93 / -40 - 200	-40 - 93 / -40 - 200
Belt weight m _B	kg/m ² / lb/sqft	7.1 / 1.45	7.1 / 1.45	7.1 / 1.45

Diameter of idling rollers (minimum)		Diameter of support rollers (minimum)		Diameter for gravity take-up and center drive rollers (minimum)		Backbending radius for elevators without sideguards or hold down devices (minimum)	
mm	inch	mm	inch	mm	inch	mm	inch
40	1.6	50	2	100	4	150	6

HabasitLINK® Straight 1" Pitch Belting M2533 Roller Top 1"

Standard range of belt widths b_0 and free edge

Belt width (mm) (nom.)	150	200	250	300	350	400	450	500	550	600	650	700	750	800	etc.
Belt width (inch) (nom.)	6	8	10	12	14	16	18	20	22	24	26	28	30	32	etc.
Roller lateral spacing per row 66 mm / offset next row with rollers 33 mm (roller Ø 15 / 5)															
Free edge (mm)	21.5/ 21.5	21.5/ 38.5	21.5/ 21.5	21.5/ 38.5	21.5/ 21.5	21.5/ 38.5	21.5/ 21.5	21.5/ 38.5	21.5/ 21.5	21.5/ 38.5	21.5/ 21.5	21.5/ 38.5	21.5/ 21.5	21.5/ 38.5	etc.
Free edge (inch)	0.8/ 0.8	0.8/ 1.5	0.8/ 0.8	0.8/ 1.5	0.8/ 0.8	0.8/ 1.5	0.8/ 0.8	0.8/ 1.5	0.8/ 0.8	0.8/ 1.5	0.8/ 0.8	0.8/ 1.5	0.8/ 0.8	0.8/ 1.5	etc.
Sprockets	3	5	6	8	9	11	12	14	15	17	18	20	21	23	etc.
Rollers (4 rows)	4	5	7	8	10	11	13	14	16	17	19	20	22	23	etc.
Roller lateral spacing per row 50 mm / offset next row with rollers 0 mm (roller Ø 15 / 5)															
Free edge (mm)	47.5	47.5	47.5	47.5	47.5	47.5	47.5	47.5	47.5	47.5	47.5	47.5	47.5	47.5	etc.
Free edge (inch)	1.9	1.9	1.9	1.9	1.9	1.9	1.9	1.9	1.9	1.9	1.9	1.9	1.9	1.9	etc.
Sprockets	3	4	5	6	7	8	9	10	11	12	13	14	15	16	etc.
Rollers (4 rows)	4	6	8	10	12	14	16	18	20	22	24	26	28	30	etc.
Roller lateral spacing per row 50 mm / offset next row with rollers 0 mm (roller Ø 18 / 16)															
Free edge (mm)	41.5	41.5	41.5	41.5	41.5	41.5	41.5	41.5	41.5	41.5	41.5	41.5	41.5	41.5	etc.
Free edge (inch)	1.6	1.6	1.6	1.6	1.6	1.6	1.6	1.6	1.6	1.6	1.6	1.6	1.6	1.6	etc.
Sprockets	3	4	5	6	7	8	9	10	11	12	13	14	15	16	etc.
Rollers (4 rows)	4	6	8	10	12	14	16	18	20	22	24	26	28	30	etc.

Real belt widths are in most cases 0.1% to 0.3% smaller.

Standard belt widths in increments of 50 mm (2"). Smallest possible width 200 mm (7.9").

For detailed material properties refer to pages 276 - 281 or contact your Habasit representative.

The nominal tensile strength is valid for 23 °C (73 °F). The admissible tensile force depends on the operating temperature near the drive sprockets. Within the temperature range allowed, the admissible tensile force may vary from 100% to 20% of the nominal tensile strength. For detailed information and correct calculation of effective tensile force refer to the Calculation Guide in the HabasitLINK® Engineering Guidelines.

HabasitLINK® Straight 1" Pitch Belting M2585 Flush Grid 1"

Description

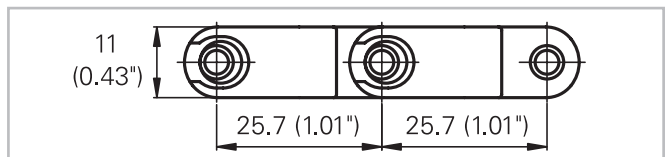
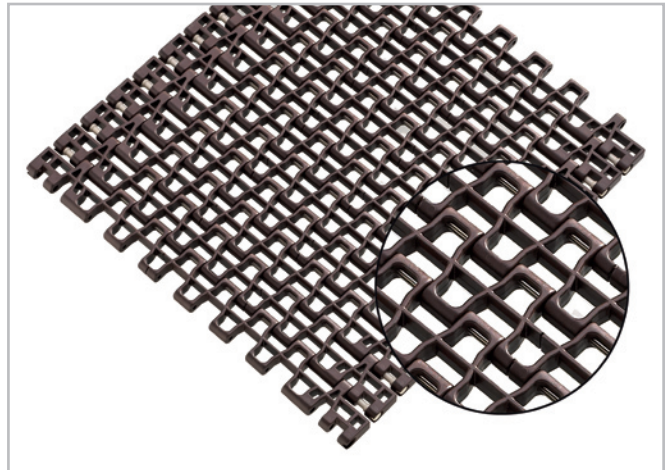
- Imperial belt width
- Excellent for cooling and draining
- Open hinge
- Superior cleanability
- Food approved materials
- Smart fit rod retention

Version -P0:

- Plastic rod Ø 5mm (0.2") (general applications)
- 48% open area; 88% open contact area; largest openings 10x12 mm (0.4"x0.5") and 4x17 mm (0.15"x0.67")

Version -S0:

- Plastic rodlets with steel floaters Ø 3.5mm (0.14") (high temperature applications)
- 54% open area; 91% open contact area; largest openings 10x12 mm (0.4"x0.5") and 4x17 mm (0.15"x0.67")



Belt data for version -P0 (plastic rod)

Belt material		PP		POM	
Rod material		PP	POM	PA	PBT
Nominal tensile strength F'_N straight run	N/m lb/ft	9500 651	11000 754	15500 1062	10300 705
Temperature range	°C °F	5 - 105 40 - 220	5 - 93 40 - 200	-40 - 93 -40 - 200	-40 - 93 -40 - 200
Belt weight m_B	kg/m ² lb/sqft	4.2 0.85	4.2 0.85	6.4 1.31	6.4 1.31

Plastic rod diameter Ø 5 mm (0.2")

Diameter of idling rollers (minimum)		Diameter of support rollers (minimum)		Diameter for gravity take-up and center drive rollers (minimum)		Backbending radius for elevators without sideguards or hold down devices (minimum)	
mm	inch	mm	inch	mm	inch	mm	inch
40	1.6	50	2	100	4	150	6

Standard range of belt widths b_0

mm (nom.)	305	508	711	914	1117	1319	1522	1725	1928	etc.
inch (nom.)	12	20	28	36	44	52	60	68	76	etc.

Standard belt widths in increments of 203.2 mm (8"). Non-standard widths are offered in increments of 33.8 mm (1.3"). Smallest possible width 203.2 mm (8").

For detailed material properties refer to pages 276 - 281 or contact your Habasit representative.

The nominal tensile strength is valid for 23 °C (73 °F). The admissible tensile force depends on the operating temperature near the drive sprockets. Within the temperature range allowed, the admissible tensile force may vary from 100% to 20% of the nominal tensile strength. For detailed information and correct calculation of effective tensile force refer to the Calculation Guide in the HabasitLINK® Engineering Guidelines.

Belt data for version -S0 (plastic rodlets, steel floaters)

Belt material		PA +GF	PA +HT	ST
Rod material		ST / Steel		
Nominal tensile strength F'_N straight run	N/m lb/ft	20000 1370	22000 1507	10000 685
Temperature range	°C °F	0 - 145 32 - 293	0 - 170 32 - 338	0 - 200 32 - 392
Temperature maximum (short-term)	°C °F	175 347	200 392	240 464
Belt weight m_b	kg/m ² lb/sqft	8.0 1.64	8.0 1.64	9.2 1.88

Plastic rodlets Ø 5 mm (0.2") and steel floaters Ø 3.5 mm (0.14")

Standard range of belt widths b_0

mm (nom.)	305	508	711	914	1117	1319	1522	1725	1928	etc.
inch (nom.)	12	20	28	36	44	52	60	68	76	etc.

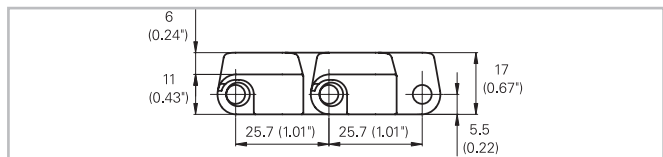
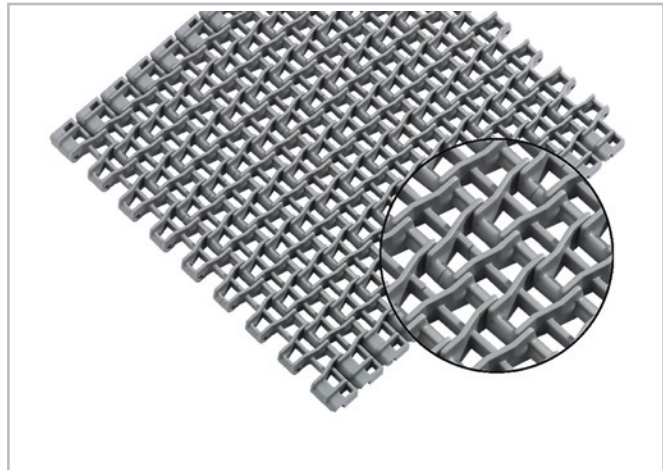
Standard belt widths in increments of 203.2 mm (8"). Non-standard widths are offered in increments of 33.8 mm (1.3"). Smallest possible width 203.2 mm (8").

For detailed material properties refer to pages 276 - 281 or contact your Habasit representative.

The nominal tensile strength is valid for 23 °C (73 °F). The admissible tensile force depends on the operating temperature near the drive sprockets. Within the temperature range allowed, the admissible tensile force may vary from 100% to 20% of the nominal tensile strength. For detailed information and correct calculation of effective tensile force refer to the Calculation Guide in the HabasitLINK® Engineering Guidelines.

Description

- Imperial belt width
- 47% open area; 70% open contact area; largest opening 10x12 mm (0.40"x0.50") and 4x17 mm (0.15"x0.67")
- Excellent for cooling and draining
- Open hinge
- Superior cleanability
- Food approved materials
- Rod diameter 5 mm (0.2")
- "Open window" sprockets



Belt data

Belt material		PP
Rod material		PP
Nominal tensile strength F'_N straight run	N/m lb/ft	10000 685
Temperature range	°C °F	5 - 105 40 - 220
Belt weight m_B	kg/m ² lb/sqft	6.2 1.27

Diameter of idling rollers (minimum)		Diameter of support rollers (minimum)		Diameter for gravity take-up and center drive rollers (minimum)		Backbending radius for elevators without sideguards or hold down devices (minimum)	
mm	inch	mm	inch	mm	inch	mm	inch
40	1.6	50	2	100	4	150	6

Standard range of belt widths b_0

mm (nom.)	305	508	711	914	1117	1319	1522	1725	1928	etc.
inch (nom.)	12	20	28	36	44	52	60	68	76	etc.

Standard belt widths in increments of 203.2 mm (8"). Non-standard widths are offered in increments of 33.8 mm (1.3"). Smallest possible width 203.2 mm (8").

For detailed material properties refer to pages 276 - 281 or contact your Habasit representative.

The nominal tensile strength is valid for 23 °C (73 °F). The admissible tensile force depends on the operating temperature near the drive sprockets. Within the temperature range allowed, the admissible tensile force may vary from 100% to 20% of the nominal tensile strength. For detailed information and correct calculation of effective tensile force refer to the Calculation Guide in the HabasitLINK® Engineering Guidelines.

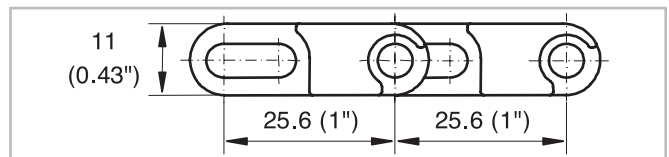
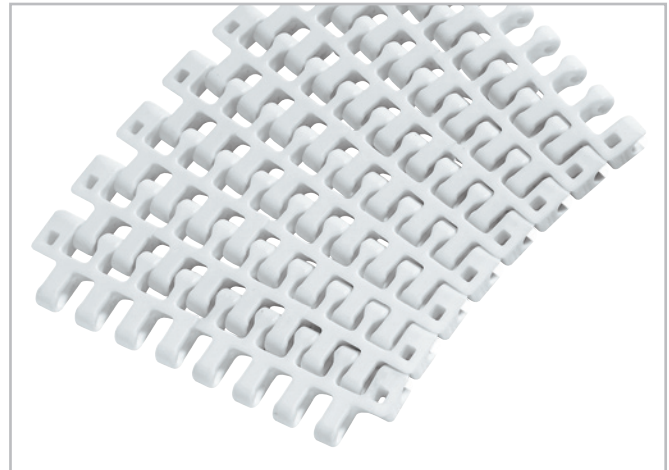
HabasitLINK® Radius 1" Pitch Belting M2540 Radius Flush Grid 1"

Description

- For radius and straight conveying (collapse factor 2.2)
- 35% open area; 53% open contact area; largest opening 6x12.5 mm (0.24"x0.49")
- Excellent for cooling and draining
- Easy to clean
- Food approved materials
- Rod diameter 5 mm (0.2")

Available accessories

- Flights
- Sideguards
- Hold down devices
- GripTop modules
- Lane divider



Belt data

Belt material		PP		POM	PA +US	PA
Rod material		POM		PA		
Nominal tensile strength F_N straight run	N/m	19000	19000	27000	25000	25000
	lb/ft	1300	1300	1850	1713	1713
Nominal tensile strength F_N in curve ⁽¹⁾	N	1000	1000	1500	1300	1300
	lbf	225	225	338	293	293
Temperature range	°C	5 - 93	5 - 105	-40 - 93	-46 - 116	-46 - 130
	°F	40 - 200	40 - 220	-40 - 200	-50 - 240	-50 - 266
Temperature maximum (short- term)	°C				135	160
	°F				275	320
Belt weight m_B	kg/m ²	4.7	4.7	7.0	6.0	6.0
	lb/sqft	0.96	0.96	1.44	1.23	1.23

⁽¹⁾ For $b_0 > 300$ mm (12") higher values admissible. Refer to LINK-SeleCalc

Diameter of idling rollers (minimum)		Diameter of support rollers (minimum)		Diameter for gravity take-up and center drive rollers (minimum)		Backbending radius for elevators without side- guards or hold down devices (minimum)		Backbending radius for elevators with sideguards or hold down devices (minimum)	
mm	inch	mm	inch	mm	inch	mm	inch	mm	inch
40	1.6	50	2	100	4	150	6	250	10

Use the largest possible backbending radius for elevators with side guards or hold down devices.

Standard range of belt widths b_0 and collapse factor Q ($R_{min} = Q \times b_0$)

Belt width mm (nom.)	200	250	300	350	400	450	500	550	600	650	700	750	800	850
Belt width inch (nom.)	8	10	12	14	16	18	20	22	24	26	28	30	32	34
Coll. fact. Q	2.03	2.07	2.10	2.12	2.14	2.15	2.16	2.17	2.18	2.18	2.19	2.19	2.19	2.20
Belt width mm (nom.)	900	950	1000	1050	1100	1150	1200							
Belt width inch (nom.)	36	38	40	42	43	45	47							
Coll. fact. Q	2.20	2.20	2.21	2.21	2.21	2.21	2.21							

Belt widths larger than 1200 mm (48") are not recommended; *please contact Habasit*.
Real belt widths are in most cases 0.1% to 0.3% smaller.

Standard belt widths in increments of 50 mm (2"). Non-standard widths are offered in increments of 16.66 mm (0.66"). Smallest possible width 83.4 mm (3.25").

For detailed material properties refer to pages 276 - 281 or contact your Habasit representative.

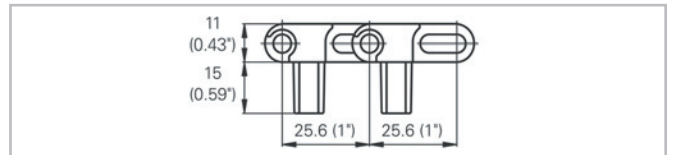
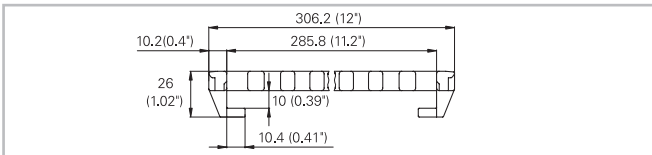
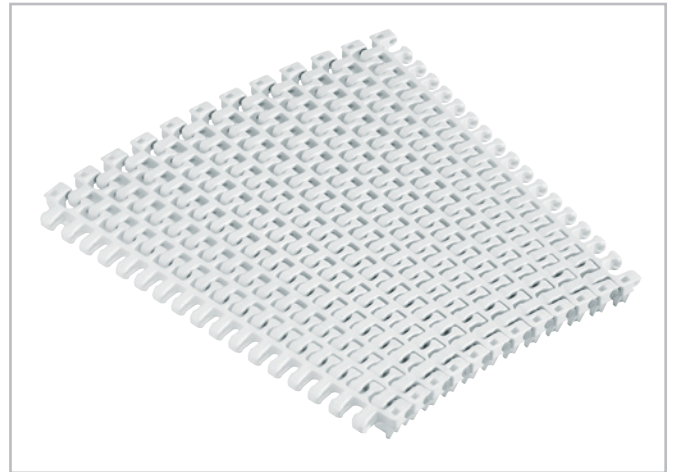
The nominal tensile strength is valid for 23 °C (73 °F). The admissible tensile force depends on the operating temperature near the drive sprockets. Within the temperature range allowed, the admissible tensile force may vary from 100% to 20% of the nominal tensile strength. For detailed information and correct calculation of effective tensile force refer to the Calculation Guide in the HabasitLINK® Engineering Guidelines.

Description

- Mold to width radius belt 12" (306 mm) wide, for radius and straight conveying
- Collapse factor 2.1
- Hold down device on both edges
- 35% open area; 53% open contact area; largest opening 6x12.5 mm (0.24"x0.49")
- Excellent for cooling and draining
- Easy to clean
- Food approved materials
- Rod diameter 5 mm (0.2")
- Open window sprockets

Available accessories

- Flights
- Sideguards
- Lane divider



Belt data

Belt material		PP		POM	
Rod material		POM		PA	
Nominal tensile strength F_N straight run	N lbf	5810 1307	5810 1307	8260 1858	
Nominal tensile strength F_N in curve ⁽¹⁾	N lbf	1000 225	1000 225	1500 338	
Temperature range	°C °F	5 - 93 40 - 200	5 - 105 40 - 220	-40 - 93 -40 - 200	
Belt weight m_b	kg/m ² lb/sqft	4.7 0.96	4.7 0.96	7.0 1.44	

⁽¹⁾ The indicated nominal tensile strength refers to 12" (306 mm) belt width. For $b_0 > 12"$ higher values admissible, please contact your Habasit representative.

Diameter of idling rollers (minimum)		Diameter of support rollers (minimum)		Diameter for gravity take-up and center drive rollers (minimum)		Backbending radius for elevators without sideguards or hold down devices (minimum)		Backbending radius for elevators with sideguards or hold down devices (minimum)	
mm	inch	mm	inch	mm	inch	mm	inch	mm	inch
50	2	100	4	40	1.6	150	6	250	10

Use the largest possible backbending radius for elevators with side guards or hold down devices.

Standard range of belt widths b_0 and collapse factor Q ($R_{min} = Q \times b_0$)

Belt width mm (nom.)	206	256	306	356	406	456	506	556	606
Belt width inch (nom.)	8	10	12	14	16	18	20	22	24
Collapse factor Q	2.03	2.07	2.10	2.12	2.14	2.15	2.16	2.17	2.18

Real belt widths are in most cases 0.1% to 0.3% smaller.

HabasitLINK® Radius 1" Pitch Belting M2540 Radius Flush Grid 1" MTW

Standard belt widths: The belt is produced as mold to width belt 12" (306 mm) and can also be used as brick-layed in 50 mm (2") increments. Non-standard widths are offered in increments of 16.66 mm (0.66").

For detailed material properties refer to pages 276 - 281 or contact your Habasit representative.

The nominal tensile strength is valid for 23 °C (73 °F). The admissible tensile force depends on the operating temperature near the drive sprockets. Within the temperature range allowed, the admissible tensile force may vary from 100% to 20% of the nominal tensile strength. For detailed information and correct calculation of effective tensile force refer to the Calculation Guide in the HabasitLINK® Engineering Guidelines.

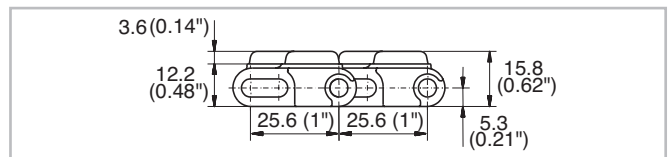
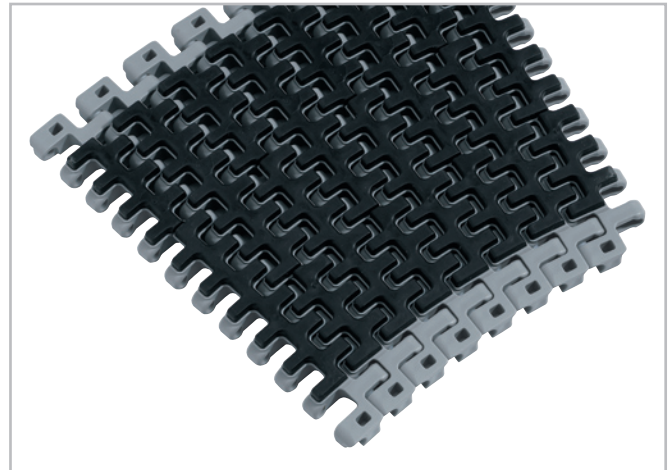
HabasitLINK® Radius 1" Pitch Belting M2540 Radius GripTop 1"

Description

- For radius and straight conveying, with inclines (collapse factor 2.2)
- 20% open area; largest opening 5x7.5 mm (0.2"x0.3")
- Indent 21 mm (0.83")
- Abrasion resistant GripTop, high friction
- Food approved materials
- Rod diameter 5 mm (0.2")
- "Open window" sprockets

Accessories

- Clip-on sideguards



Belt data

Belt material		PP	
GripTop material		TPE	
Rod material		POM	PA
Nominal tensile strength F_N straight run	N/m lb/ft	19000 1300	19000 1300
Nominal tensile strength F_N in curve ⁽¹⁾	N lbf	1000 225	1000 225
Temperature range	°C °F	5 - 60 40 - 140	5 - 60 40 - 140
Belt weight m_b	kg/m ² lb/sqft	6.4 1.31	6.4 1.31

⁽¹⁾ For $b_0 > 300$ mm (12") higher values admissible. Refer to LINK-SeleCalc

Diameter of idling rollers (minimum)		Diameter of support rollers (minimum)		Diameter for gravity take-up and center drive rollers (minimum)		Backbending radius for elevators without sideguards or hold down devices (minimum)		Backbending radius for elevators with sideguards or hold down devices (minimum)	
mm	inch	mm	inch	mm	inch	mm	inch	mm	inch
40	1.6	50	2	100	4	150	6	250	10

Use the largest possible backbending radius for elevators with side guards or hold down devices.

Standard range of belt widths b_0 and collapse factor Q ($R_{\min} = Q \times b_0$)

Belt width mm (nom.)	200	250	300	350	400	450	500	550	600	650	700	750	800	850
Belt width inch (nom.)	8	10	12	14	16	18	20	22	24	26	28	30	32	34
Coll. fact. Q	2.03	2.07	2.10	2.12	2.14	2.15	2.16	2.17	2.18	2.18	2.19	2.19	2.19	2.20
Belt width mm (nom.)	900	950	1000	1050	1100	1150	1200							
Belt width inch (nom.)	36	38	40	42	43	45	47							
Coll. fact. Q	2.20	2.20	2.21	2.21	2.21	2.21	2.21							

Belt widths larger 1200 mm (48") not recommended; *please contact Habasit.*

Real belt widths are in most cases 0.1% to 0.3% smaller.

Standard belt widths in increments of 50 mm (2"). Non-standard widths are offered in increments of 16.66 mm (0.66"). Smallest possible width 150 mm (5.9").

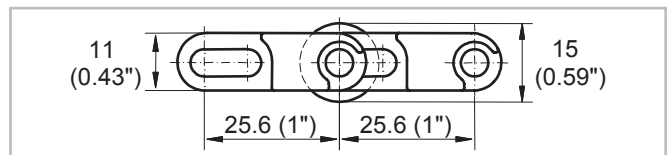
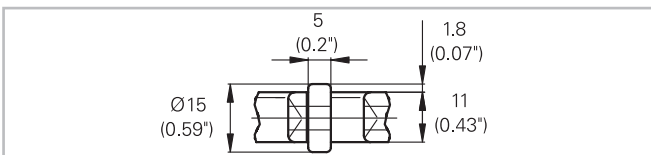
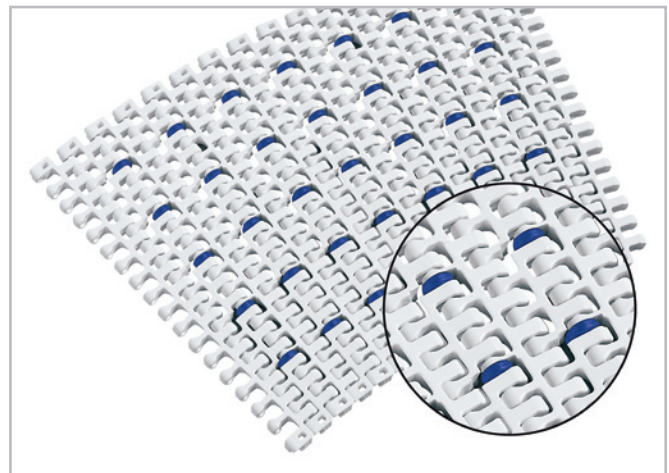
For detailed material properties refer to pages 276 - 281 or contact your Habasit representative.

The nominal tensile strength is valid for 23 °C (73 °F). The admissible tensile force depends on the operating temperature near the drive sprockets. Within the temperature range allowed, the admissible tensile force may vary from 100% to 20% of the nominal tensile strength. For detailed information and correct calculation of effective tensile force refer to the Calculation Guide in the HabasitLINK® Engineering Guidelines.

HabasitLINK® Radius 1" Pitch Belting M2540 Roller Top 1"

Description

- For radius and straight conveying
- Collapse factor 2.2 (unchanged)
- 35 % open area; largest opening 6x12.5 mm (0.24"x0.49")
- Roller lateral spacing 50 mm (2")
- Minimum free edge 42 mm (1.6")
- Rollers row spacing 50.8 mm (2")
- For low back pressure, wearstrips are placed between rollers
- For product driven application wearstrips are placed directly under the rollers
- Excellent for cooling and draining
- Food approved materials
- Rod diameter 5 mm (0.2")



Belt data

Belt material		POM
Rod material		PA
Roller material		POM
Roller lateral spacing per row	mm / inch	50 / 2
Roller dimension diameter / width	mm / inch	Ø 15 / 5 Ø 0.59 / 0.2
Nominal tensile strength F_N^1 straight run	N/m / lb/ft	22000 / 1507
Nominal tensile strength F_N in curve ⁽¹⁾	N / lbf	1200 / 270
Temperature range	°C / °F	-40 - 93 / -40 - 200
Belt weight m_b	kg/m ² / lb/sqft	7.0 / 1.44

⁽¹⁾ For $b_0 > 300$ mm (12") higher values admissible. Refer to LINK-SeleCalc

Diameter of idling rollers (minimum)		Diameter of support rollers (minimum)		Diameter for gravity take-up and center drive rollers (minimum)		Backbending radius for elevators without sideguards or hold down devices (minimum)	
mm	inch	mm	inch	mm	inch	mm	inch
40	1.6	50	2	100	4	150	6

HabasitLINK® Radius 1" Pitch Belting M2540 Roller Top 1"

Standard range of belt widths b_0 , free edge and collapse factor Q ($R_{min} = Q \times b_0$)

Belt width mm (nom.)	200	250	300	350	400	450	500	550	600	650	700	750	800	850	etc.
Belt width inch (nom.)	8	10	12	14	16	18	20	22	24	26	28	30	32	34	etc.
Coll.fact. Q	2.03	2.07	2.10	2.12	2.14	2.15	2.16	2.17	2.18	2.18	2.19	2.19	2.19	2.20	etc.
Free edge mm	42/52	42/52	42/52	42/52	42/52	42/52	42/52	42/52	42/52	42/52	42/52	42/52	42/52	42/52	etc.
Free edge inch	1.7/2	1.7/2	1.7/2	1.7/2	1.7/2	1.7/2	1.7/2	1.7/2	1.7/2	1.7/2	1.7/2	1.7/2	1.7/2	1.7/2	etc.
Sprocket offset mm	29.1	4.2	29.1	4.2	29.1	4.2	29.1	4.2	29.1	4.2	29.1	4.2	29.1	4.2	etc.
Sprocket offset inch	1.1	0.2	1.1	0.2	1.1	0.2	1.1	0.2	1.1	0.2	1.1	0.2	1.1	0.2	etc.
Sprockets	4	5	6	7	8	9	10	11	12	13	14	15	16	17	etc.
Rollers (2 rows)	3	4	5	6	7	8	9	10	11	12	13	14	15	16	etc.

Real belt widths are in most cases 0.1% to 0.3% smaller.

Standard belt widths in increments of 50 mm (2"). Smallest possible width 200 mm (7.9").

For detailed material properties refer to pages 276 - 281 or contact your Habasit representative.

The nominal tensile strength is valid for 23 °C (73 °F). The admissible tensile force depends on the operating temperature near the drive sprockets. Within the temperature range allowed, the admissible tensile force may vary from 100% to 20% of the nominal tensile strength. For detailed information and correct calculation of effective tensile force refer to the Calculation Guide in the HabasitLINK® Engineering Guidelines.

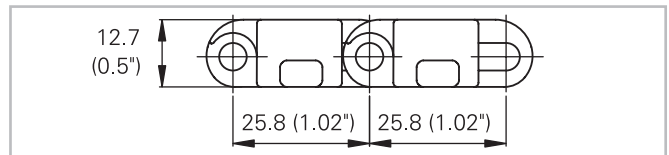
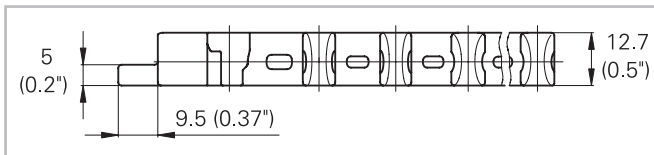
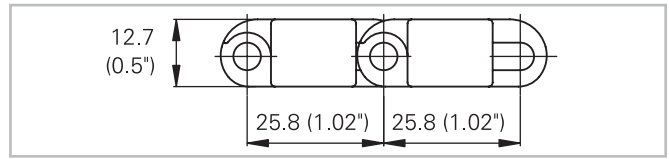
HabasitLINK® Radius 1" Pitch Belting M2544 Tight Radius 1"

Description

- For radius and straight conveying, ideal for applications with limited space (collapse factor 1.6)
- 38% open area; 75% open contact area; largest opening 6.5x12 mm (0.26"x0.47")
- Excellent for cooling and draining
- Easy to clean
- Food approved materials
- Rod diameter 5 mm (0.2")

Contact Habasit for accessories

- GripTop modules
- Lane divider
- Side tabs



Belt data

Belt material		PP		POM	POM +JM
Rod material		POM		PA	
Nominal tensile strength F_N straight run	N/m lb/ft	14000 959	14000 959	20000 1370	20000 1370
Nominal tensile strength F_N in curve ⁽¹⁾	N lbf	600 135	600 135	1100 247	1100 247
Temperature range	°C	5 - 93	5 - 105	-40 - 93	-40 - 93
	°F	40 - 200	40 - 220	-40 - 200	-40 - 200
Belt weight m_b	kg/m ²	5.5	5.5	8.0	8.0
	lb/sqft	1.13	1.13	1.64	1.64

⁽¹⁾ For $b_0 > 600$ mm (23.6") higher values admissible. Refer to LINK-SeleCalc

Diameter of idling rollers (minimum)		Diameter of support rollers (minimum)		Diameter for gravity take-up and center drive rollers (minimum)		Backbending radius for elevators without sideguards or hold down devices (minimum)	
mm	inch	mm	inch	mm	inch	mm	inch
40	1.6	50	2	100	4	150	6

Standard range of belt widths b_0 and collapse factor Q ($R_{min} = Q \times b_0$)

Belt width mm (nom.)	250	300	350	400	450	500	550	600	650	700	750	800	850	900	950
Belt width inch (nom.)	10	12	14	16	18	20	22	24	26	28	30	32	34	36	38
Coll. fact. Q	1.43	1.47	1.50	1.52	1.54	1.55	1.56	1.57	1.58	1.58	1.59	1.61	1.62	1.63	1.64
Belt width mm (nom.)	1000	1050	1100	1150	1200										
Belt width inch (nom.)	40	42	44	46	48										
Coll. fact. Q	1.65	1.66	1.66	1.70	1.71										

Belt widths larger than 1200 mm (48") are not recommended. *Please contact Habasit.*
Real belt widths are in most cases 0.1% to 0.3% smaller.

Standard belt widths in increments of 50 mm (2"). Non-standard widths are offered in increments of 16.66 mm (0.66"). Smallest possible width 200 mm (7.9").

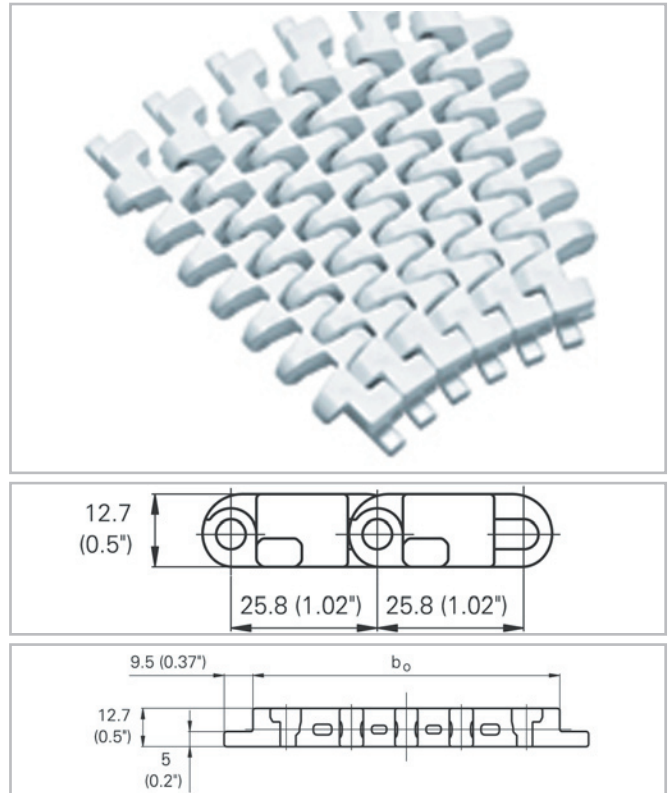
For detailed material properties refer to pages 276 - 281 or contact your Habasit representative.

The nominal tensile strength is valid for 23 °C (73 °F). The admissible tensile force depends on the operating temperature near the drive sprockets. Within the temperature range allowed, the admissible tensile force may vary from 100% to 20% of the nominal tensile strength. For detailed information and correct calculation of effective tensile force refer to the Calculation Guide in the HabasitLINK® Engineering Guidelines.

HabasitLINK® Radius 1" Pitch Belting M2544 Tight Radius 1" MTW

Description

- Mold to width radius belt
- For radius and straight conveying, ideal for applications with limited space
- Collapse factor:
 - M2544K04: 1.25
 - M2544K06: 1.32
- Open area: 38 % (M2544K04), 32 % (M2544K06)
- Open contact area: 64 %
- largest opening (belt edge):
 - 4" width: 7.6 mm x 14.5 mm (0.30" x 0.57")
 - 6" width: 10.0 mm x 12.8 mm (0.38" x 0.50")
- largest opening (middle of belt) for 4" and 6":
 - 7.6 mm x 10.6 mm (0.30" x 0.39")
- Excellent for cooling and draining
- Easy to clean
- Food approved materials
- Rod diameter 5 mm (0.2")



Belt data

	Nominal belt width b_0		Belt material	Rod material	Nominal tensile strength F_N straight run		Nominal tensile strength F_N in curve ⁽¹⁾		Belt weight m_B	
	mm	inch			N	lbf	N	lbf	kg/m	lb/ft
M2544K04	101.4	4.0	POM	PA	1500	338	1000	225	0.87	0.58
M2544K04	101.4	4.0	PP	PA	1200	270	600	135	0.60	0.40
M2544K04	101.4	4.0	PP	POM	1200	270	600	135	0.60	0.40
M2544K06	152.2	6.0	POM	PA	2500	563	1000	225	1.29	0.87
M2544K06	152.2	6.0	PP	PA	1800	404	600	135	0.87	0.58
M2544K06	152.2	6.0	PP	POM	1800	404	600	135	0.87	0.58

Real belt widths are in most cases 0.1% to 0.3% smaller.

Diameter of idling rollers (minimum)		Diameter of support rollers (minimum)		Diameter for gravity take-up and center drive rollers (minimum)		Backbending radius for elevators without sideguards or hold down devices (minimum)	
mm	inch	mm	inch	mm	inch	mm	inch
40	1.6	50	2	100	4	150	6

Temperature range

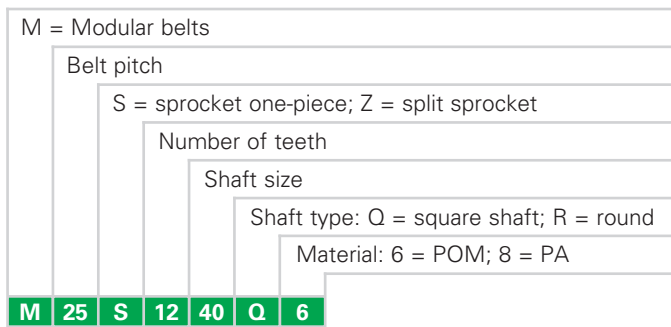
Module material	Rod material	Temperature range	
POM	PA	-40 °C to +93 °C	-40 °F to +200 °F
PP	PA	+5 °C to +105 °C	+40 °F to +220 °F
PP	POM	+5 °C to +93 °C	+40 °F to +200 °F

For detailed material properties refer to pages 276 - 281 or contact your Habasit representative.

The nominal tensile strength is valid for 23 °C (73 °F). The admissible tensile force depends on the operating temperature near the drive sprockets. Within the temperature range allowed, the admissible tensile force may vary from 100% to 20% of the nominal tensile strength. For detailed information and correct calculation of effective tensile force refer to the Calculation Guide in the HabasitLINK® Engineering Guidelines.

HabasitLINK® Sprockets - 1" Pitch Belting

Sprocket Series M2500



Sprocket availability

Type	Number of teeth	Diam. of pitch $\emptyset d_p$		A_1		Hub width B_L		Square bore Q		\emptyset Round bore R		Standard material
		mm	inch	mm	inch	mm	inch	mm	inch	mm	inch	
S	7	59.4	2.3	24.7	0.97	20	0.79	25	1	-	-	POM
S	8	66.7	2.6	28.3	1.12	30	1.18	25	-	30	1 / 1 ³ / ₁₆	POM
S	10	82.5	3.3	36.3	1.43	30	1.18	40	1 / 1.5	30	1 / 1 ³ / ₁₆	POM
S	12	98.6	3.9	44.3	1.74	30	1.18	40	1 / 1.5	30 / 40	1 / 1 ³ / ₁₆	POM
S	15	122.7	4.8	56.4	2.22	30	1.18	60	-	-	-	POM
S	16	130.8	5.2	60.4	2.38	30	1.18	40	1.5	-	-	POM
S	18	146.9	5.8	68.4	2.69	30	1.18	40 / 60	1.5 / 2.5	30	1 / 1 ³ / ₁₆	POM
S	20	163.0	6.4	76.5	3.01	30	1.18	40 / 60	1.5 / 2.5	30	1 / 1 ³ / ₁₆	POM
Z	12	98.6	3.9	44.3	1.74	45	1.77	40	1.5	-	-	POM
Z	18	146.9	5.8	68.4	2.69	45	1.77	40 / 60	1.5 / 2.5	-	-	POM
Z	20	163.0	6.4	76.5	3.01	45	1.77	40	1.5	-	-	POM

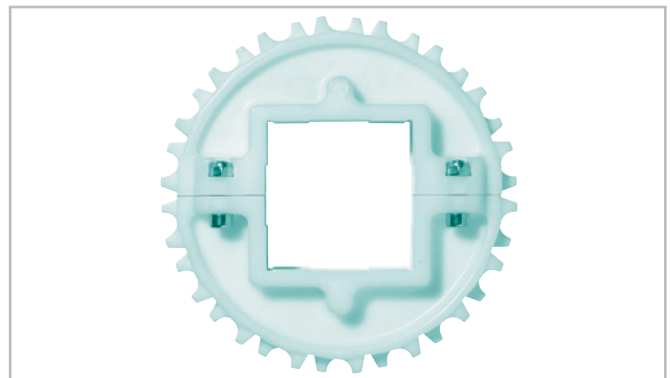
S, Z: molded sprockets. Other sprocket and hub sizes on request.

Key ways for round bore shape follow European standards for metric sizes and US standards for imperial sizes. For detailed dimensions see table in the Design Guide.

Other materials available on request.

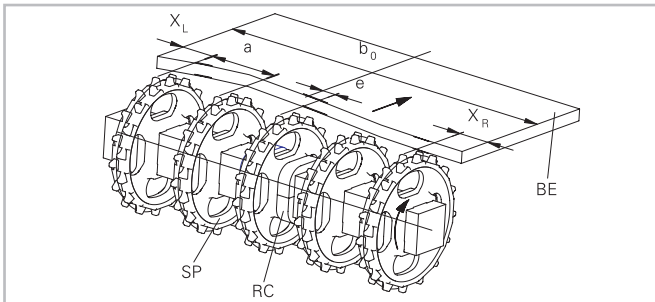


Sprocket one-piece ("open window")

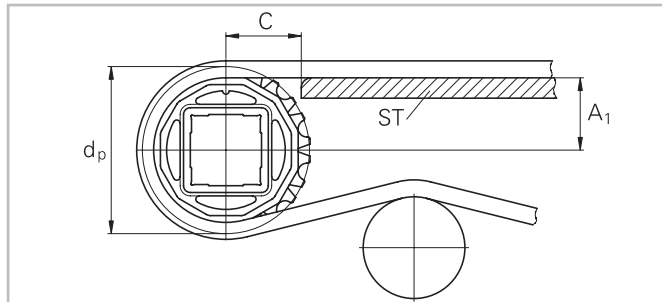


Split sprocket

Sprocket arrangement



BE Belt
RC Retainer
SP Sprocket
 b_0 belt width



The distance **C** between the sprocket axis and the slider support **ST** is minimal 28 mm (1.1").

Wearstrips

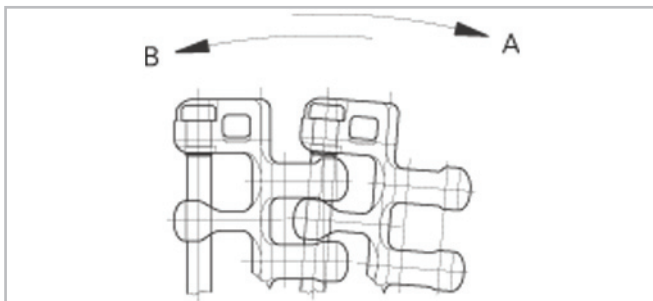
Between driving shaft and idling sprockets or rollers the belt is carried by a slider support furnished with longitudinal wearstrips (ST) from UHMW Polyethylene or other suitable material.

Sprocket positioning

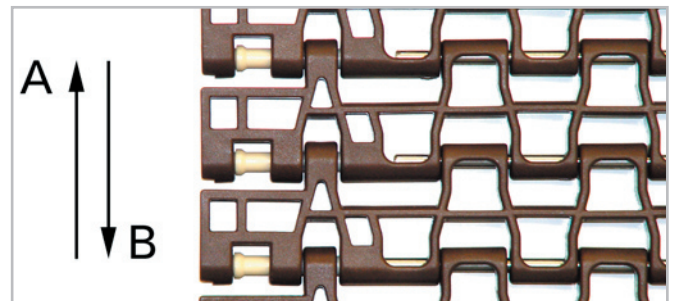
For correct positioning of the center sprocket divide the belt width by the link increment. The rounded result will be even or an odd number. These numbers are the criteria for offset or no offset, see table:

Belt type	Sprocket spacing a		Sprocket edge distance (minimal) *		Criteria for center sprocket position	Result of formula (rounded)	Offset e	Remarks
	minimal	maximal	X_L	X_R				
	mm inch	mm inch	mm inch	mm inch				
Series M2500 except M2540/43 except M2585/86	50 2	100 4	25 1	25 1	$b_0 / 16.66$ $b_0 / 0.66$	even number (2, 4, 6 ...)	8.3 0.33	right or left side
						odd number (3, 5, 7 ...)	0 0	no offset
M2540	50 2	117 4.6	21 0.8	29 1.15	$b_0 / 16.66$ $b_0 / 0.66$	even number (2, 4, 6 ...)	4.2 0.17	right in running direction A left in running direction B
						odd number (3, 5, 7 ...)	4.2 0.17	left in running direction A right in running direction B
M2540 with hold down tabs	50 2	117 4.6	54 2.13	62 2.44	$b_0 / 16.66$ $b_0 / 0.66$	even number (2, 4, 6 ...)	4.2 0.17	right in running direction A left in running direction B
						odd number (3, 5, 7 ...)	4.2 0.17	left in running direction A right in running direction B
M2540 MTW mold to width and bricklaid	50 2	117 4.6	41 1.6	49 1.93	$b_0 / 16.66$ $b_0 / 0.66$	even number (2, 4, 6 ...)	4.2 0.17	right in running direction A left in running direction B
						odd number (3, 5, 7 ...)	4.2 0.17	left in running direction A right in running direction B
M2544	50 2	117 4.6	33 1.3	42 1.65	$b_0 / 16.66$ $b_0 / 0.66$	even number (2, 4, 6 ...)	4.2 0.17	right in running direction A left in running direction B
						odd number (3, 5, 7 ...)	4.2 0.17	left in running direction A right in running direction B
M2585-P0 M2586	67 2.66	135 5.3	42 1.65	59 2.32	$b_0 / 33.8$ $b_0 / 1.33$	even number (2, 4, 6 ...)	8.3 0.33	right in running direction A left in running direction B
						odd number (3, 5, 7 ...)	8.3 0.33	left in running direction A right in running direction B
M2585-S0	67 2.66	135 5.3	76 3	59 2.32	$b_0 / 33.8$ $b_0 / 1.33$	even number (2, 4, 6 ...)	8.3 0.33	right in running direction A left in running direction B
						odd number (3, 5, 7 ...)	8.3 0.33	left in running direction A right in running direction B

* X_L and X_R are related to the running direction A and inverse for running direction B.



M2540, left edge X_L (M2543 similar)



M2585-S0, left edge X_L (M2585-P0, M2586 similar)

Number of sprockets and wearstrips for straight running belts

(excluding M2585 / 86: see separate table)

Standard belt width (nominal)		Number of sprockets per shaft min. number	Number of wearstrips	
mm	inch		Carryway (top)	Returnway (bottom)
150	6	2	2	2
200	8	2	2	2
250	10	3	3	2
300	12	3	3	2
350	14	3	4	3
400	16	3	4	3
450	18	5	4	3
500	20	5	5	3
550	22	5	5	3
600	24	5	5	3
700	28	7	6	4
800	32	7	7	4
900	36	9	7	4
1000	40	9	8	5
1100	43	11	8	5
1200	47	11	9	5
1300	51	13	10	6
1400	55	13	10	6
1600	63	15	11	6
1800	71	17	12	7
2000	79	19	13	7

The number of sprockets depends on the belt load and may be different for driving and idling shafts. For calculation of correct sprocket number please use LINK-SeleCalc.

Number of sprockets and wearstrips for radius belts N2540, M2543

Standard belt width (nominal)		Number of sprockets per shaft min. number	Number of wearstrips	
mm	inch		Carryway (top)	Returnway (bottom)
150	6	2	2	2
200	8	2	2	2
250	10	2	3	2
300	12	3	3	2
350	14	3	3	3
400	16	3	3	3
450	18	3	3	3
500	20	3	4	3
550	22	5	4	3
600	24	5	4	3
700	28	5	5	4
800	32	7	5	4
900	36	7	5	4
1000	40	9	6	5
1100	43	9	6	5
1200	47	9	7	5

The number of sprockets depends on the belt load and may be different for driving and idling shafts. For calculation of correct sprocket number please use LINK-SeleCalc.

Number of sprockets and wearstrips for radius belts M2540 and M2543 with hold down tabs

Standard belt width (nominal)		Number of sprockets per shaft min. number	Number of wearstrips	
mm	inch		Carryway (top)	Returnway (bottom)
150	6	1	2	2
200	8	2	2	2
250	10	2	3	2
300	12	2	3	2
350	14	3	3	3
400	16	3	3	3
450	18	3	3	3
500	20	3	4	3
550	22	3	4	3
600	24	5	4	3
700	28	5	5	4
800	32	5	5	4
900	36	7	5	4
1000	40	9	6	5
1100	43	9	6	5
1200	47	9	7	5

The number of sprockets depends on the belt load and may be different for driving and idling shafts. For calculation of correct sprocket number please use LINK-SeleCalc.

Number of sprockets and wearstrips for radius belts M2540 Radius Flush Grid 1" MTW (mold to width and bricklaid)

Standard belt width (nominal)		Number of sprockets per shaft min. number	Number of wearstrips	
mm	inch		Carryway (top)	Returnway (bottom)
206	8.11	2	2	2
256	10.08	2	3	2
306*	12.05	3	3	2
406	16	3	3	3
506	19.9	5	4	3
606	23.85	5	4	3

* The belt width 306 mm (12.05") is a non-cut standard mold to width belt. All other belt widths are cut sizes.

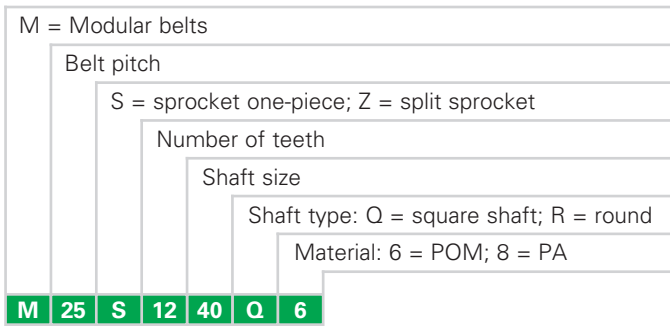
Number of sprockets and wearstrips for M2585, M2586

Standard belt width (nominal)		Number of sprockets per shaft min. number	Number of wearstrips	
mm	inch		Carryway (top)	Returnway (bottom)
305	12	2	2	2
508	20	3	3	2
711	28	5	4	2
914	36	7	6	3
1117	44	7	8	3
1319	52	9	10	4
1522	60	11	10	4
1725	68	13	12	7
1928	76	13	12	7
2131	84	15	13	8
2333	92	17	16	8
2536	100	19	18	9

The number of sprockets depends on the belt load and may be different for driving and idling shafts. For calculation of correct sprocket number please use LINK-SeleCalc.

HabasitLINK® Sprockets - 1" Pitch Belting

Sprocket Series M2500-C2 (M2585/86)



Sprocket availability

Type	Number of teeth	Diam. of pitch $\varnothing d_p$		A_1		Hub width B_L		Square bore Q		Ø Round bore R		Standard material
		mm	inch	mm	inch	mm	inch	mm	inch	mm	inch	
S-C2	7	59.6	2.4	24.3	0.96	25	0.98	-	1	-	-	PA
S-C2	8	67.7	2.7	28.4	1.12	25	0.98	25	-	30	1 / 1 ³ / ₁₆	PA
S-C2	10	83.8	3.3	36.4	1.43	25	0.98	40	1 / 1.5	30	1 / 1 ³ / ₁₆	PA
S-C2	12	100.0	3.9	44.5	1.75	25	0.98	40	1 / 1.5	30 / 40	1 / 1 ³ / ₁₆	PA
S-C2	15	124.5	4.9	56.8	2.24	25	0.98	60	2.5	-	-	PA
S-C2	16	132.8	5.2	60.9	2.40	25	0.98	40	1.5	-	-	PA
S-C2	18	149.1	5.9	69.1	2.72	25	0.98	40 / 60	1.5 / 2.5	30	1 / 1 ³ / ₈	PA
S-C2	20	165.5	6.5	77.3	3.04	25	0.98	40 / 60	1.5 / 2.5	30	1 / 1 ³ / ₈	PA

S-C2: machined sprockets. Other sprocket and hub sizes on request.

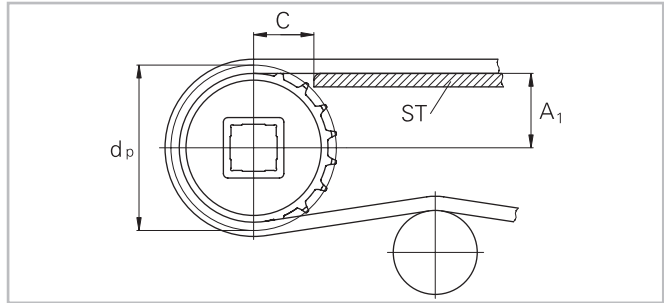
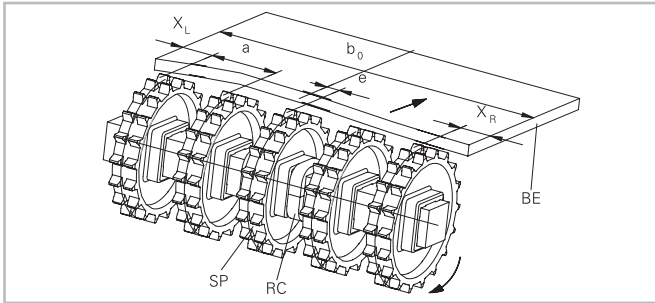
Key ways for round bore shape follow European standards for metric sizes and US standards for imperial sizes. For detailed dimensions see table in the Design Guide.

Other materials available on request.



Sprocket one-piece (solid)

Sprocket arrangement



- BE** Belt
- RC** Retainer
- SP** Sprocket
- b₀** belt width

The distance **C** between the sprocket axis and the slider support **ST** is minimal 28 mm (1.1").

Wearstrips

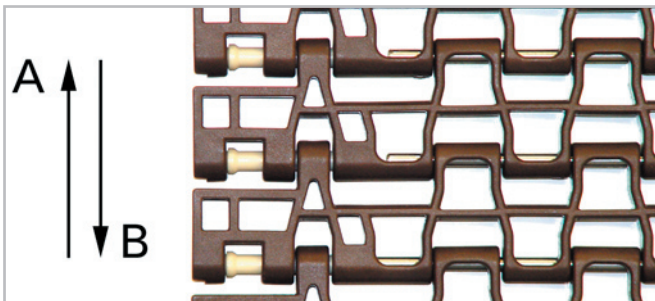
Between driving shaft and idling sprockets or rollers the belt is carried by a slider support furnished with longitudinal wearstrips (ST) from UHMW Polyethylene or other suitable material.

Sprocket positioning

For correct positioning of the center sprocket divide the belt width by the link increment. The rounded result will be an even or an odd number. These numbers are the criteria for offset or no offset, see table.

Belt type	Sprocket spacing a		Sprocket edge distance (minimal) *		Criteria for center sprocket position	Result of formula (rounded)	Offset e	Remarks
	minimal mm inch	maximal mm inch	X _L	X _R				
M2585-P0 M2586	33.8 1.33	101.5 4	42 1.65	42 1.65	b ₀ / 33.8 b ₀ / 1.33	even number (2, 4, 6 ...)	8.5 0.33	right in running direction A left in running direction B
						odd number (3, 5, 7 ...)	8.5 0.33	left in running direction A right in running direction B
M2585-S0	33.8 1.33	101.5 4	59 2.32	59 2.32	b ₀ / 33.8 b ₀ / 1.33	even number (2, 4, 6 ...)	8.5 0.33	right in running direction A left in running direction B
						odd number (3, 5, 7 ...)	8.5 0.33	left in running direction A right in running direction B

* X_L and X_R are related to the running direction A and inverse for the running direction B.



M2585-S0, left edge X_L (M2585-P0, M2586 similar)

Number of sprockets and wearstrips for M2585, M2586

Standard belt width (nominal)		Number of sprockets per shaft	Number of wearstrips	
mm	inch		min. number	Carryway (top)
305	12	2	2	2
508	20	3	3	2
711	28	5	4	2
914	36	7	6	3
1117	44	7	8	3
1319	52	9	10	4
1522	60	11	10	4
1725	68	13	12	7
1928	76	13	12	7
2131	84	15	13	8
2333	92	17	16	8
2536	100	19	18	9

The number of sprockets depends on the belt load and may be different for driving and idling shafts. For calculation of correct sprocket number please use LINK-SeleCalc.

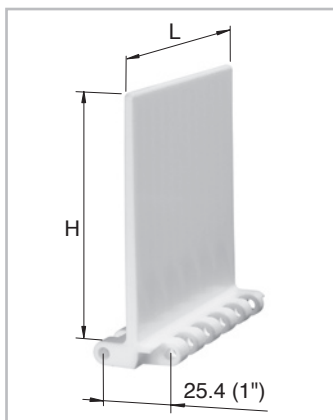
HabasitLINK® Accessories – 1" Pitch Belting Flights and Sideguards M2500 (Straight Belts)

HabasitLINK® Modular Belts are available with flights to convey products on inclined planes. The flight modules are injection molded one-piece designs that, when assembled, become an integral part of the belt.

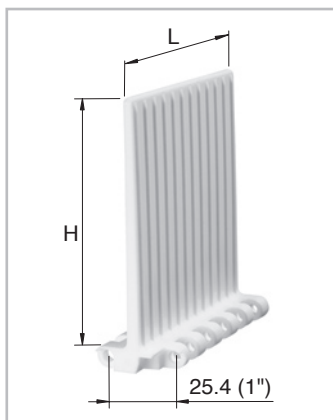
Flight modules are available with ribs on one side ("no-cling") for improved release of wet or sticky food products and can also be cut to non-standard heights.

	Flat Top flights straight open hinge (USDA)		Flat Top flights straight closed hinge		Flat Top flights bent (Scoop) open hinge (USDA)		Flush Grid flight corrugated open hinge (USDA)		Sideguards	
Code flight sideguard	M2510Fxx*		M2520Fxx*		M2510B07		M2533F07 M253JF07		M2520Gxx*	M252RGxx* M252LGxx*
Applicable for belt type	M2510 M2511		M2520 M2533		M2510 M2511		M2533		all 1" belts except M2531	
	height H	length L	height H	length L	height H	length L	height H	length L	height H	
mm	25	100	25	100	-	-	-	-	25	-
inch	1	4	1	4	-	-	-	-	1	-
mm	50	100	50	100	-	-	-	-	50	-
inch	2	4	2	4	-	-	-	-	2	-
mm	75	100	75	100	75	150	75	100	-	75
inch	3	4	3	4	3	6	3	4	-	3
mm	-	-	100	100	-	-	-	-	-	100
inch	-	-	4	4	-	-	-	-	-	4
mm	-	-	100	150	-	-	-	-	-	-
inch	-	-	4	6	-	-	-	-	-	-

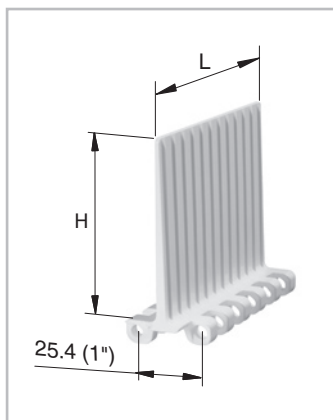
*Code xx = height of flight: 25 mm = 02 50 mm = 05 75 mm = 07 100 mm = 10



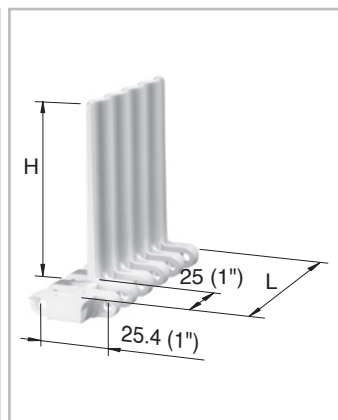
M2520Fxx
smooth side



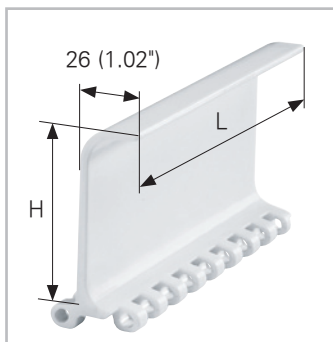
M2520Fxx
"no-cling" side (ribs)



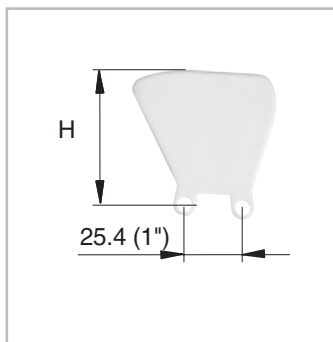
M2510Fxx
open hinge; "no-cling" side



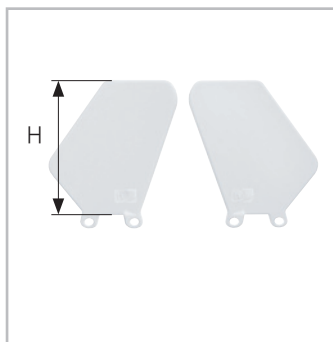
M253JF07, open hinge;
indent flight, corrugated



M2510B07, Scoop
open hinge



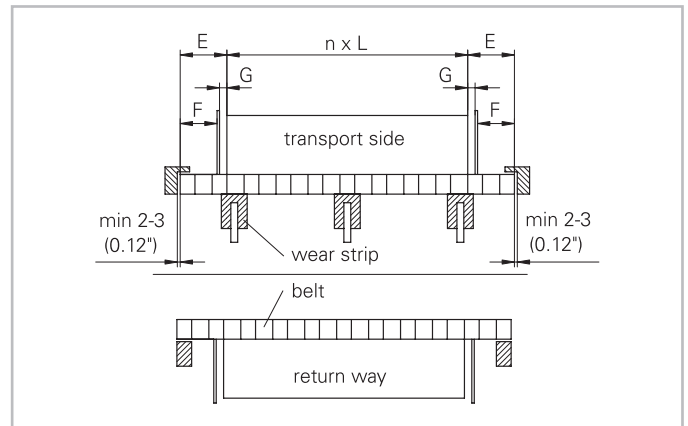
M2520G05



M252RG/FG10

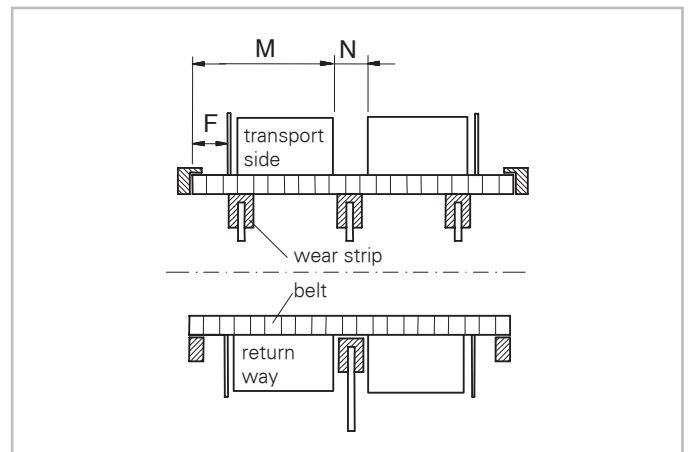
Indents (E)

The flight indent E is the distance between the edge of the belt and the edge of flight, and F is the distance between belt edge and sideguard. It is required for adequate support of the belt on its return way and hold down during back-bending applications (elevators). On short conveyors or with special support structure, the flights may also be applied over the full belt width (E = 0). (For the Flush Grid, flights edge modules with indents are available (fixed indent see illustration).)



Notch (N)

The notch N is a gap in each row of flights, longitudinally aligned to allow the support of belts wider 600 mm (24") on its return way or in back-bending applications. The notch width (N) and the distance M from belt edge is a multiple of the link increment 16.67 mm (0.66"). For M2500 series the minimum notch width is 33.3 mm (1.31").



HabasitLINK® Accessories – 1" Pitch Belting Flights and Sideguards M2500 (Straight Belts)

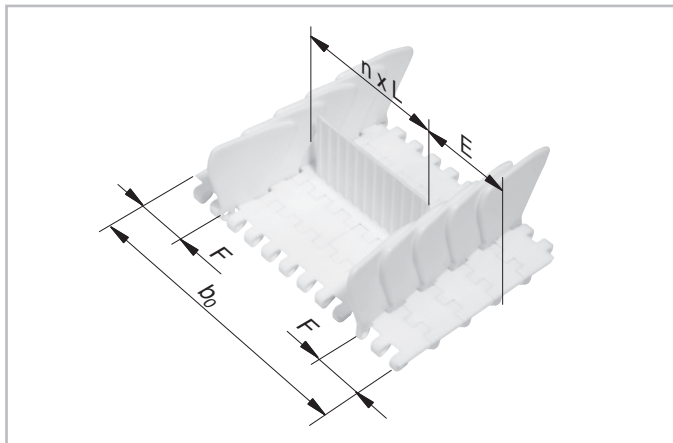
Installation of flights and sideguards; indents

(For radius belts please refer to the specific data sheets.)

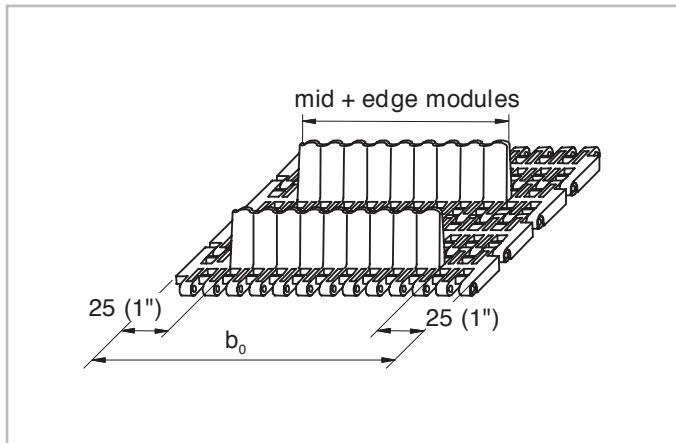
The sideguards are usually installed with a gap (G) between the sideguards and the flights. It is also possible to install the sideguards with a minimum gap

between flight and sideguard of approx. 2 mm (0.08"). There is a certain risk for rubbing and abrasion between the flights and the sideguards. The distance E_1 between the sideguards and the hold down- and support-shoes/wearstrips should not be smaller than 5 mm (0.2"). For further details see Assembly Guide.

	Possible flight indents E (not for M2533F05 edge flight)									
	Flight only		Flight + Sideguard with gap (G ~8 mm (0.3"))				Flight + Sideguard without gap (G ~2 mm (0.08"))			
	E		E		F		E		F	
	mm	inch	mm	inch	mm	inch	mm	inch	mm	inch
Flight over full belt width	0	0	-	-	-	-	-	-	-	-
Module cutting necessary	33	1.3	33	1.3	16	0.65	33	1.3	25	1
Standard, no module cutting	50	2	50	2	33	1.3	50	2	41	1.6
Module cutting necessary	66	2.6	66	2.6	50	2	66	2.6	58	2.3
Module cutting necessary	83	3.2	83	3.2	66	2.6	83	3.2	75	3
Standard, no module cutting	100	4	100	4	83	3.2	100	4	93	3.7



M2510 with flights M2510F05 and Sideguards M2520G05 (top view)



Flush Grid flight M2533F07 + M253JF07



M2510 with flights M2510F05 and Sideguards M2520G05 (bottom view)

HabasitLINK® Accessories – 1" Pitch Belting Hold Down Devices for M2500 (Straight Belts)

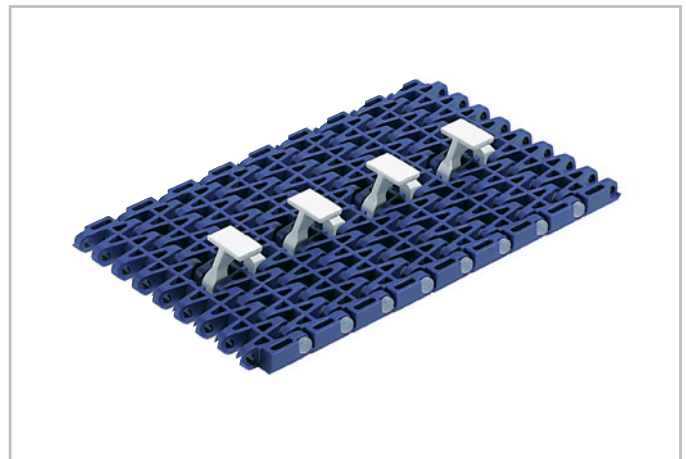
For elevators with back-bending (Z-conveyors) **hold down devices** are used to keep the belt down when it is changing from horizontal to inclined direction. For wide belts (e. g. > 600 mm (23.6") wide), slider shoes on the belt edge are often not sufficient to keep it on the track. In such cases hold down devices on the bottom side of the belt are used to guide it through the back-bending curve. Further details see design guide.

Compatibility: The hold down device can be put into M2500 1" HabasitLINK® straight running modular belt. The modules are inserted into the prepared position, one module every second row. As long as link increment is (16.6 mm) respected any position over the belt width is possible. For a center positioning consider an offset "e" of 4.2 mm. Allow the necessary distance for the sprocket engagement!

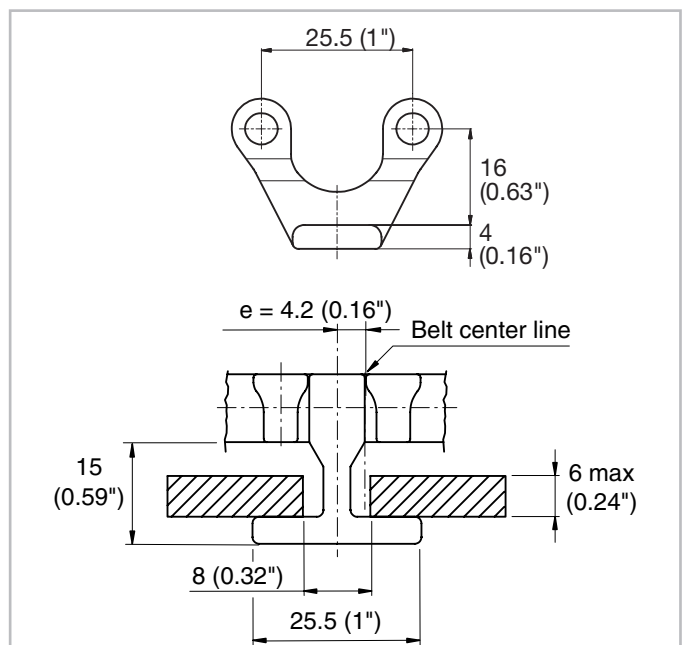
Back-bending radius R: min. 250 mm (10")

Sprockets: minimum size
M25S12 with 40 mm / 1.5" square bore
M25S12 with 30 mm round bore
M25S10 with 1" square bore
M25S10 with 30 mm round bore

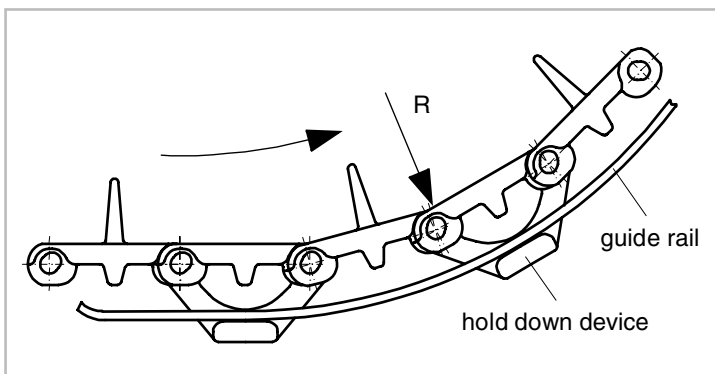
Standard materials: POM white
Other materials on request.



M2533 with M2500V01



Hold down device M2500V01



It is very important that the guide rail is very smooth, without joining. It is also important that enough clearance is provided to allow the belt to expand or shrink.

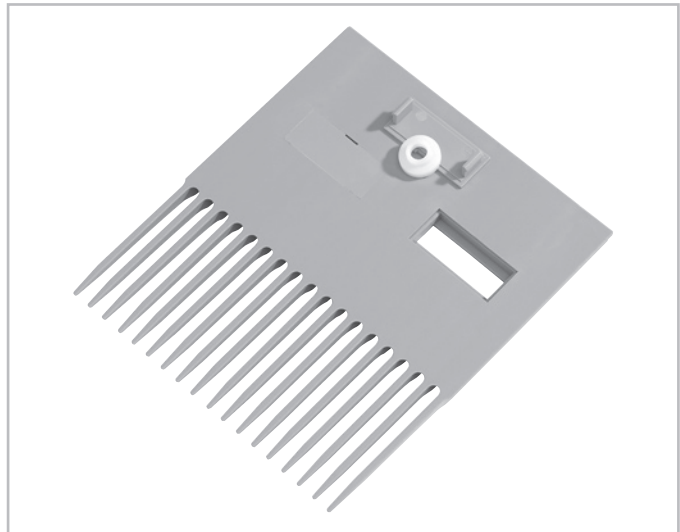
Installation data

Dimensions	mm	inch
W	148	5.8
W _L	170	7.5
X ₁	70	2.75
X ₂	50	2
X ₃	80 – 90	3.2 – 3.5
X ₄	80	3.2
X ₅	70	2.75
K	10	0.4

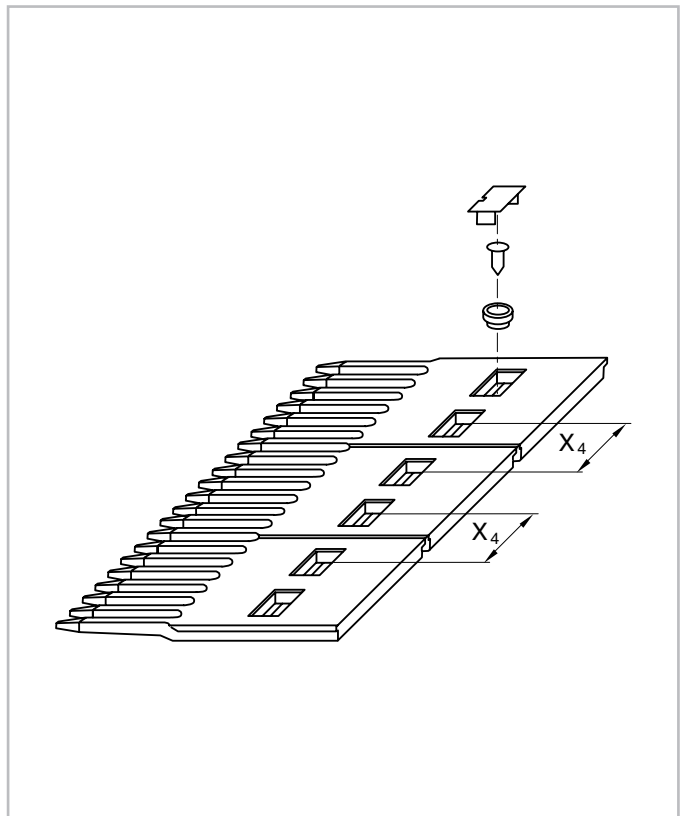
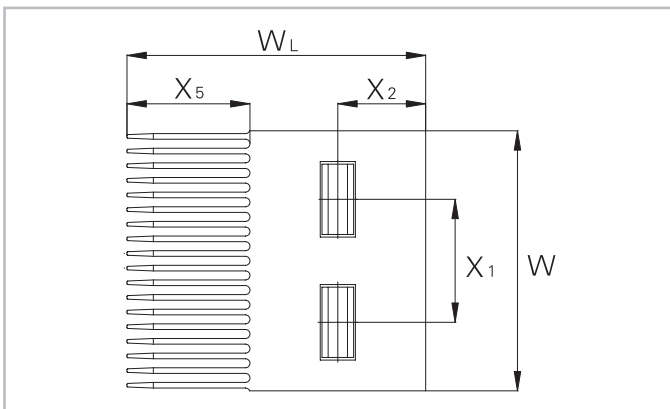
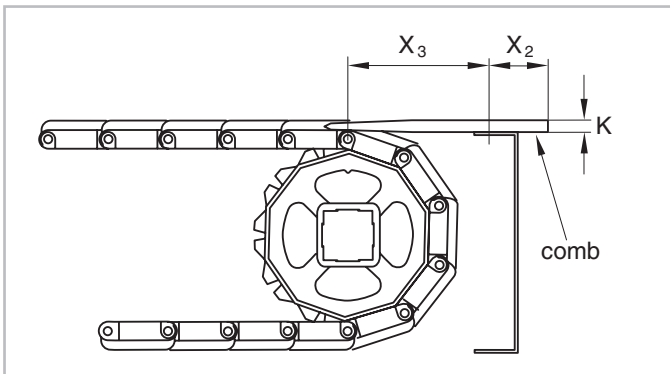
(Finger transfer plates)

Material	Acetal dry (wet)
Temperature range	°C: -40 – 90 (-40 – 60) °F: -40 – 195 (-40 – 140)
Color	grey

Other materials on request.



M2531C15



Note

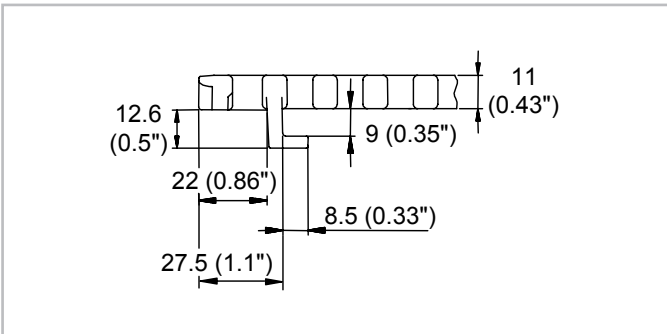
The combs are fixed using a special bushing that allows lateral movement. This allows the combs to adapt their position to the lateral displacement of the belt, caused by thermal expansion. For belt widths up to 300 mm (12"), the plates can be firmly fixed (2 plates max.).

To avoid the belt flipping over or slipping off the inner guide rail in the curve, hold down guides are normally used. They are however not suitable if the conveyed goods are larger than the belt width or if side transfer over the belt edge is required. For these cases special modules equipped with hold down tabs (hook modules) are available for both belt edges.

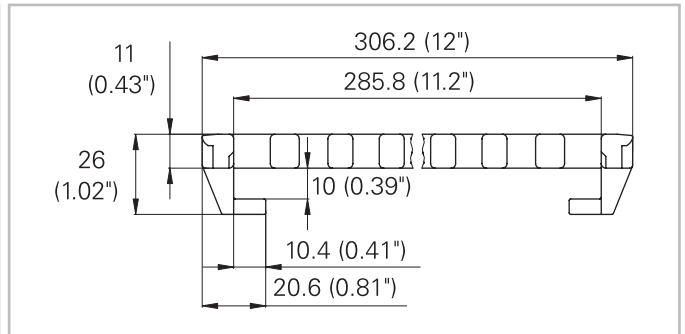
Hold down edge modules

M2540Hxx* and M2540 MTW

Hold down tabs are used for all applications where the products must be able to move over the belt edge. The use of hold down modules is also mandatory when applying sideguards.



M2540Hxx



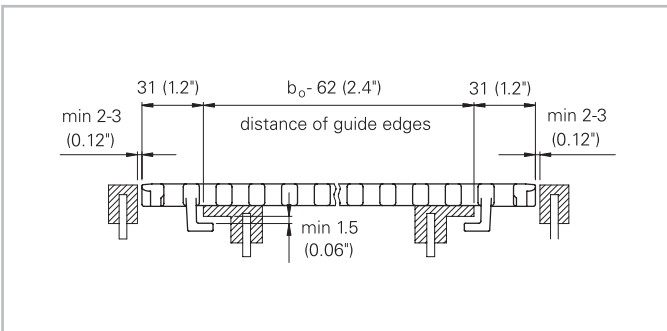
M2540 MTW

Installation

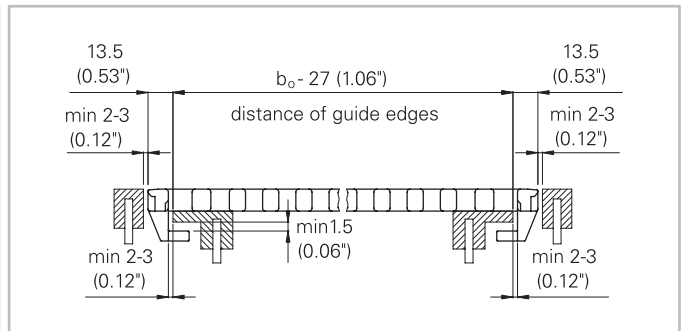
Make sure to keep clearance between guides, sprockets and hold down devices. They are meant to act as lift-off safety devices and not as guides! They will, if in contact with the guides, wear off quickly and may increase the tension in the belt.

For these reasons the conveyor needs to be designed with the appropriate accuracy.

Minimum belt width 150 mm (6") (2 Sprockets) for use of hold down edge modules and 250 mm for hold down middle modules.



M2540Hxx

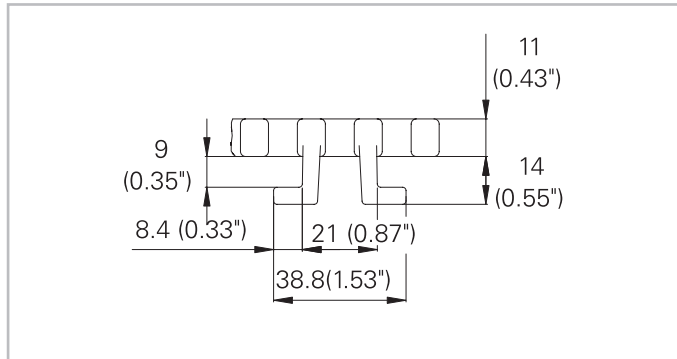


M2540 MTW

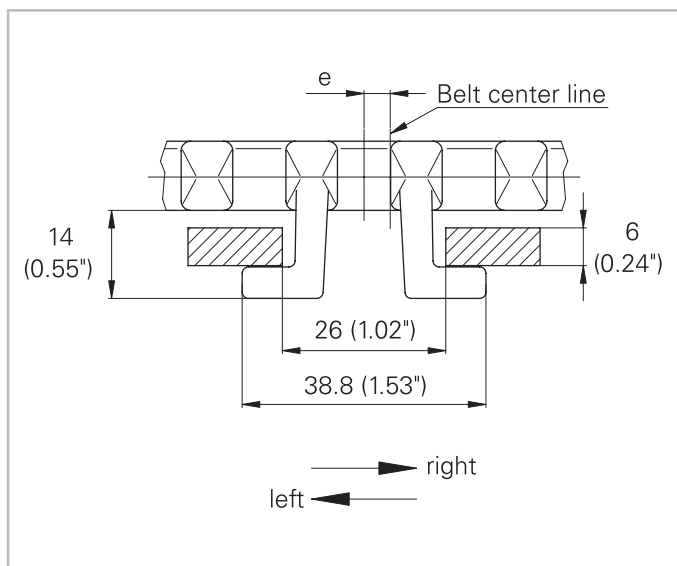
Hold down middle module (M2540V00)

For elevators with back-bending (Z-conveyors) hold down devices are needed to keep the belt down when it is changing from horizontal to inclined direction. For wide belts (e. g. > 600 mm (23.5") wide) slider shoes on the belt edge are often not sufficient to keep it on the track. In such cases hold down devices on the bottom side of the belt are used every second row to guide it through the back-bending curve. For belt width 300 mm + n * 100 mm the hook is placed in the belt center. For belt width 250 mm + n * 100 mm the hook has an offset of 25 mm left or right to the belt center. Please see Table below. The indicated offset refers to the belt pattern according to the assembly guide.

Belt width	Offset e	running direction A	running direction B
300	0	–	–
350	25	to the left	to the right
400	0	–	–
450	25	to the left	to the right
500	0	–	–
550	25	to the left	to the right
600	0	–	–
650	25	to the left	to the right
700	0	–	–
750	25	to the left	to the right
800	0	–	–
850	25	to the left	to the right
900	0	–	–



M2540V10



M2540V10

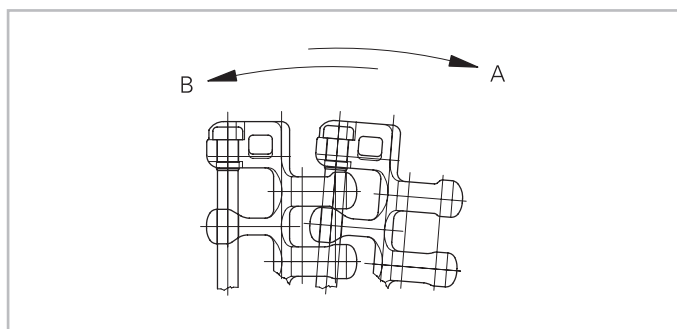
Sprocket sizes

The combination sprocket/shaft size has to be selected in such a way to avoid collision of the hold down tabs with the shaft. Minimum sprocket sizes: M25S1002Q, M25S1030R, M25S1240Q.

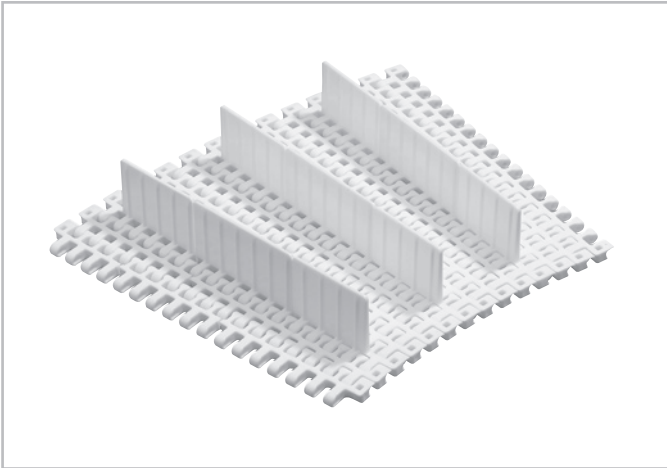
Note

The hold down tabs are not recommended to be used for radial guidance. They can be worn away too quickly. Also, they should not be used to hang-up the belt on its return way.

Further design indications see Design Guide Radius Belts and Slider Support Systems.



* available edge module length same as with standard edge module

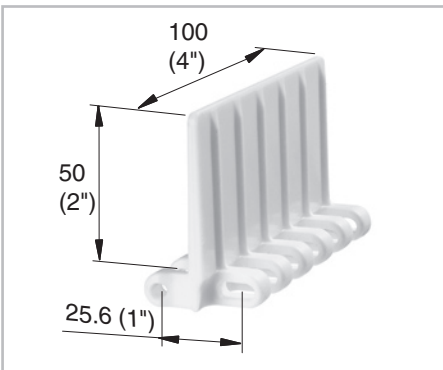


M2540 with middle and edge flights

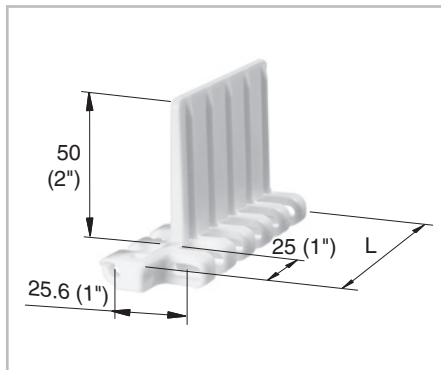


M2540 with sideguards and lane divider

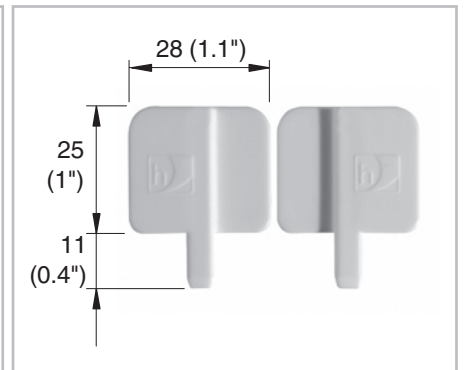
Flights are available in 50mm (2") height, sideguards and lane dividers in 25mm (1") height, see illustrations below. Flights are available with ribs on one side for better release of wet or sticky food products ("no-clogging"). They can be cut to specific width and height if required. The collapse factor remains unchanged.



Middle flight
M2540F05



Edge flight
M254RF05 (right side)
M254LF05 (left side)



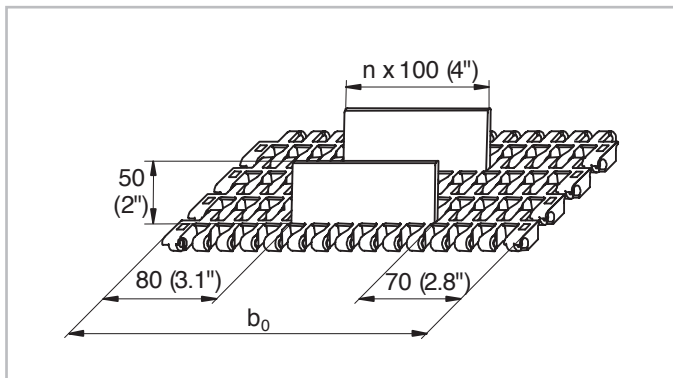
Sideguards
M254RG02 (right side)
M254LG02 (left side)

Standard range of belt widths b_0 for belts with flights

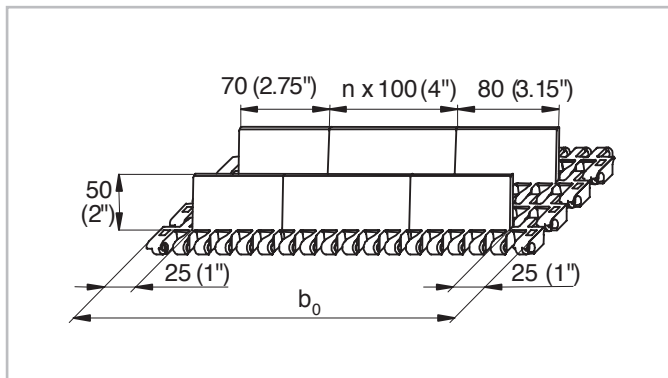
mm	200	300	400	500	600	700	800	900	1000	1100	1200	1300	1400	1500	etc.
inch (nom.)	8	12	16	20	24	28	32	36	40	44	48	52	56	60	etc.

Real belt widths are in most cases 0.1% to 0.3% smaller.

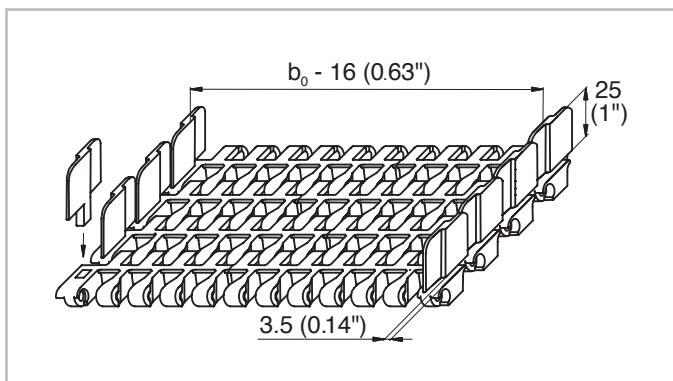
Assembly conceptions for M2540 Radius Belt Flights and Sideguards



Middle flights only



Middle and edge flights



Sideguards only (clip-on version)

Standard indents

The combination of flights and sideguards is possible, but not recommended. With sideguards hold down modules must be used. On the return way the belt has to be supported either on the flights or between flights and sideguards (gap only 15 mm (0.6") wide). Do not support or guide the belt on the hold down tabs.

	left belt edge (running direction)	right belt edge (running direction)
Middle flights only (no indent flights)	70 mm (2.8")	80 mm (3.1")
Middle flights and indent flights	25 mm (1")	25 mm (1")
Sideguards	3.5 mm (0.14")	3.5 mm (0.14")

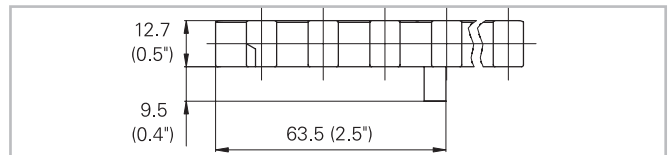
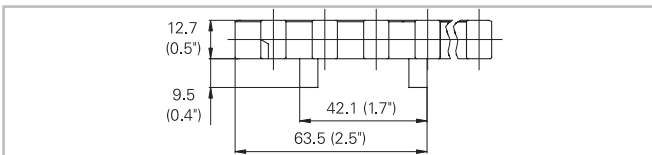
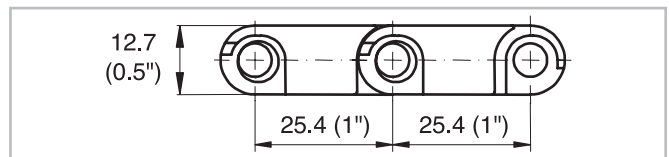
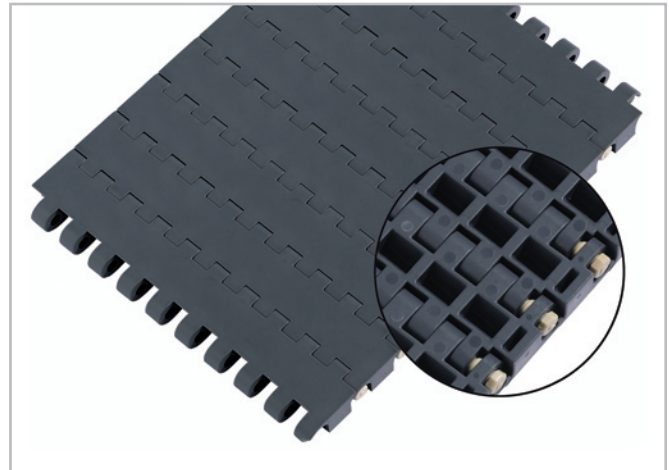
HabasitLINK® Straight 1" Pitch Belting M2620 Flat Top Heavy Duty 1"

Description

- Heavy duty belt
- 12.7 mm (0.5") thick
- High strength and stiffness
- 0% open area
- Closed hinge
- Rod diameter 6 mm (0.22")
- Smart Fit rod retention
- Double row solid and split sprockets

Available accessories

- Tab modules with 1 or 2 tabs
- Code: -T1 single tab / -T2 double tab



Belt data

Belt material		PP		POM		PA	PBT +FR
Rod material		PP	PA	PBT	PA	PA	
Nominal tensile strength F_N straight run	N/m	24000	26500	45000	35000	45000	23000
	lb/ft	1644	1815	3083	2397	3083	1575
Temperature range	°C	5 - 105	5 - 105	-40 - 93	-40 - 93	-46 - 130	-40 - 130
	°F	40 - 220	40 - 220	-40 - 200	-40 - 200	-50 - 266	-40 - 266
Temperature maximum (short-term)	°C					160	150
	°F					320	302
Belt weight m_B	kg/m ²	9.1	9.1	14.0	14.0	11.7	14.5
	lb/sqft	1.87	1.87	2.88	2.88	2.40	2.98

PA belt fulfills UL 94 V2 and ISO 340.

PBT +FR belt fulfills UL 94 V0 and ISO 340.

Diameter of idling rollers (minimum)		Diameter of support rollers (minimum)		Diameter for gravity take-up and center drive rollers (minimum)		Backbending radius for elevators without sideguards or hold down devices (minimum)	
mm	inch	mm	inch	mm	inch	mm	inch
40	1.6	50	2	100	4	150	6

Standard range of belt widths b_0

mm (nom.)	85	170	255	340	425	510	595	680	765	850	935	1020	1105	etc.
inch (nom.)	3.35	6.69	10.04	13.39	16.73	20.08	23.43	26.77	30.12	33.46	36.81	40.16	43.50	etc.

Real belt widths are in most cases 0.1% to 0.3% smaller.

HabasitLINK® Straight 1" Pitch Belting M2620 Flat Top Heavy Duty 1"

Standard belt widths in increments of 85 mm (3.35"). Non-standard widths are offered in increments of 17 mm (0.67"). Smallest possible width 85 mm (3.35").

For detailed material properties refer to pages 276 - 281 or contact your Habasit representative.

The nominal tensile strength is valid for 23 °C (73 °F). The admissible tensile force depends on the operating temperature near the drive sprockets. Within the temperature range allowed, the admissible tensile force may vary from 100% to 20% of the nominal tensile strength. For detailed information and correct calculation of effective tensile force refer to the Calculation Guide in the HabasitLINK® Engineering Guidelines.

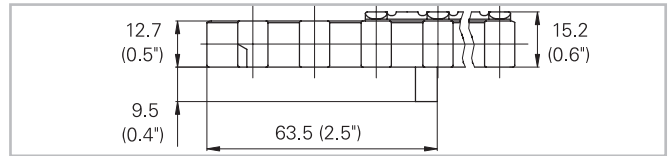
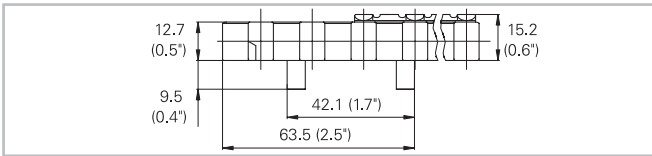
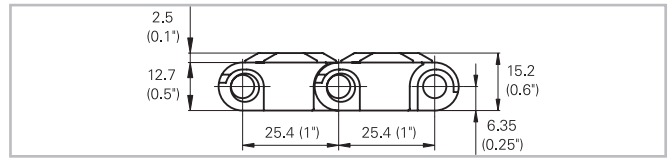
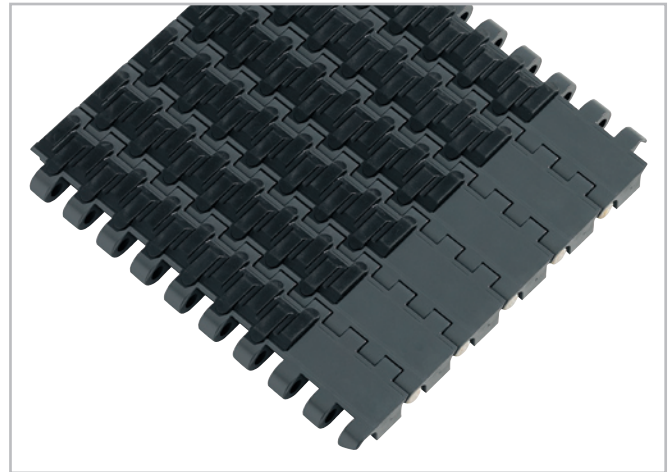
HabasitLINK® Straight 1" Pitch Belting M2620 GripTop 1"

Description

- Heavy duty belt
- High strength and stiffness
- 0% open area
- Abrasion resistant GripTop, high friction
- Closed hinge
- Rod diameter 6 mm (0.22")
- Smart Fit rod retention
- Double row solid and split sprockets

Available pattern

- Fully covered by GripTop or in rows of any distance in multiples of 25.4 mm (1")
- With indent 43 mm (1.7") or without indent
- Tab modules with and without indent
- Code: -T1 single tab / -T2 double tab



Belt data

Belt material		PP		POM	
GripTop material		TPE			
Rod material		PP	POM	PA	
Nominal tensile strength F_N	N/m lb/ft	23000 1575	24000 1644	33000 2260	
Temperature range	°C °F	5 - 60 40 - 140	5 - 60 40 - 140	-40 - 60 -40 - 140	
Belt weight m_B	kg/m ² lb/sqft	10.0 2.05	10.0 2.05	14.4 2.95	

Diameter of idling rollers (minimum)		Diameter of support rollers (minimum)		Diameter for gravity take-up and center drive rollers (minimum)		Backbending radius for elevators without sideguards or hold down devices (minimum)	
mm	inch	mm	inch	mm	inch	mm	inch
40	1.6	50	2	100	4	150	6

Standard range of belt widths b_0

mm (nom.)	85	170	255	340	425	510	595	680	765	850	935	1020	1105	etc.
inch (nom.)	3.35	6.69	10.04	13.39	16.73	20.08	23.43	26.77	30.12	33.46	36.81	40.16	43.50	etc.

Real belt widths are in most cases 0.1% to 0.3% smaller.

HabasitLINK® Straight 1" Pitch Belting M2620 GripTop 1"

Standard belt widths in increments of 85 mm (3.35"). Non-standard widths are offered in increments of 17 mm (0.67"). Smallest possible width 85 mm (3.35").

For detailed material properties refer to pages 276 - 281 or contact your Habasit representative.

The nominal tensile strength is valid for 23 °C (73 °F). The admissible tensile force depends on the operating temperature near the drive sprockets. Within the temperature range allowed, the admissible tensile force may vary from 100% to 20% of the nominal tensile strength. For detailed information and correct calculation of effective tensile force refer to the Calculation Guide in the HabasitLINK® Engineering Guidelines.

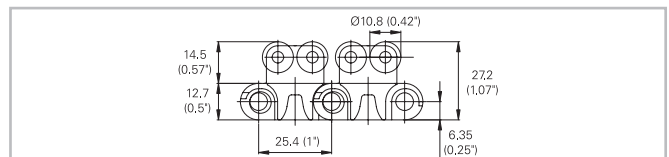
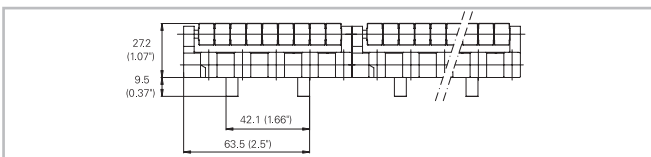
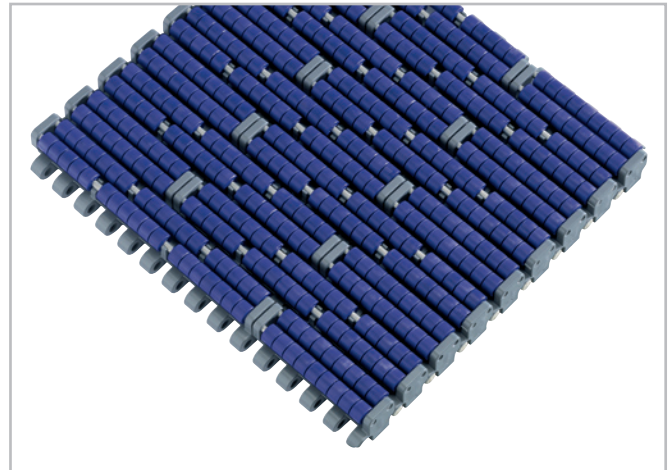
HabasitLINK® Straight 1" Pitch Belting M2620 Roller Top - LBP 1"

Description

- 0% open area
- Low noise accumulation rollers
- Rod diameter: 6 mm (0.22")
- Smart Fit rod retention
- Food approved materials
- Back bending radius: 200 mm (8")
- Optimized for Low Back Pressure (LBP) accumulation
- Double row solid and split sprockets

Available Accessories

- Tab modules with 2 tabs (Code: -T2 double tab)



Belt data

Belt material		POM	
Rod material		PBT	PA
Nominal tensile strength F_N straight run	N/m lb/ft	35000 2397	45000 3082
Temperature range	°C °F	-40 - 93 -40 - 200	-40 - 93 -40 - 200
Belt weight m_B	kg/m ² lb/sqft	29.3 6.0	29.3 6.0

Diameter of idling rollers (minimum)	
mm	inch
40	1.6

Standard range of belt widths b_0

mm (nom.)	85	170	255	340	425	510	595	680	765	850	935	1020	1105	etc.
inch (nom.)	3.35	6.69	10.04	13.39	16.73	20.08	23.43	26.77	30.12	33.46	36.81	40.16	43.50	etc.

Real belt widths are in most cases 0.1% to 0.3% smaller.

Standard belt widths in increments of 85 mm (3.35"). Smallest possible width 85 mm (3.35"). Non-bricklaid belts 85 mm (3.35") and 170 mm (6.69") wide.

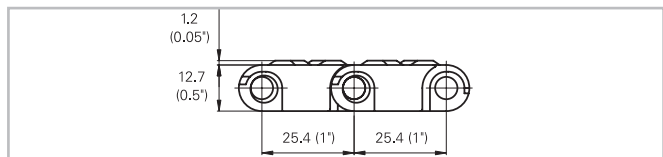
For detailed material properties refer to pages 276 - 281 or contact your Habasit representative.

The nominal tensile strength is valid for 23 °C (73 °F). The admissible tensile force depends on the operating temperature near the drive sprockets. Within the temperature range allowed, the admissible tensile force may vary from 100% to 20% of the nominal tensile strength. For detailed information and correct calculation of effective tensile force refer to the Calculation Guide in the HabasitLINK® Engineering Guidelines.

HabasitLINK® Straight 1" Pitch Belting M2623 Non Slip 1"

Description

- 0% open area
- Closed hinge
- Safe Non Slip profile for people mover applications
- Rod diameter 6 mm (0.22")
- Smart Fit rod retention
- Antistatic standard belt material
- Electro conductive materials available
- Also available with pattern free indent 85 mm (3.35")



Belt data

Belt material		PP	PP +AS	POM	POM +AS
Rod material		PA			
Nominal tensile strength F'_N straight run	N/m lb/ft	26500 1815	23850 2398	45000 3083	40500 2774
Temperature range	°C	5 - 105	5 - 105	-40 - 93	-40 - 93
	°F	40 - 220	40 - 220	-40 - 200	-40 - 200
Belt weight m_B	kg/m ²	9.3	9.3	14.4	14.4
	lb/sqft	1.91	1.91	2.94	2.94

Diameter of idling rollers (minimum)		Diameter of support rollers (minimum)		Diameter for gravity take-up and center drive rollers (minimum)		Backbending radius for elevators without sideguards or hold down devices (minimum)	
mm	inch	mm	inch	mm	inch	mm	inch
40	1.6	50	2	100	4	150	6

Standard range of belt widths b_0

mm (nom.)	85	170	255	340	425	510	595	680	765	850	935	1020	1105	etc.
inch (nom.)	3.35	6.69	10.04	13.39	16.73	20.08	23.43	26.77	30.12	33.46	36.81	40.16	43.50	etc.

Real belt widths are in most cases 0.1% to 0.3% smaller.

Standard belt widths in increments of 85 mm (3.35"). Non-standard widths are offered in increments of 17 mm (0.67"). Smallest possible width 85 mm (3.35").

For detailed material properties refer to pages 276 - 281 or contact your Habasit representative.

The nominal tensile strength is valid for 23 °C (73 °F). The admissible tensile force depends on the operating temperature near the drive sprockets. Within the temperature range allowed, the admissible tensile force may vary from 100% to 20% of the nominal tensile strength. For detailed information and correct calculation of effective tensile force refer to the Calculation Guide in the HabasitLINK® Engineering Guidelines.

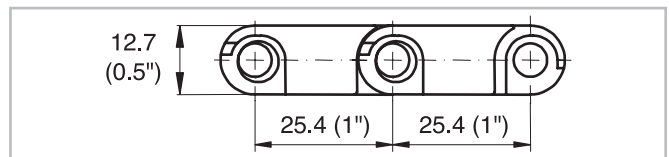
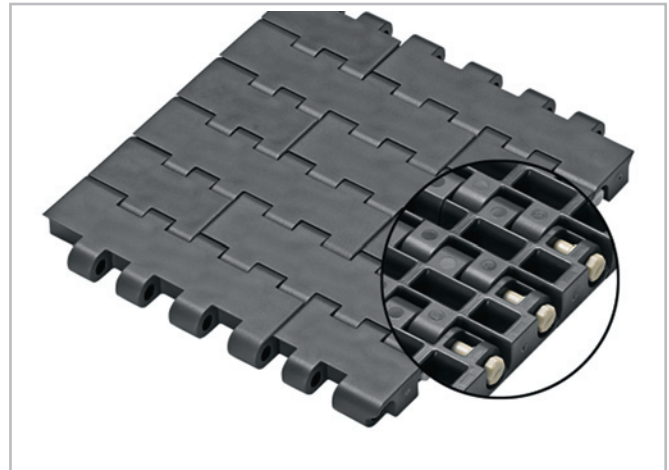
HabasitLINK® Straight 1" Pitch Belting M2670 Flat Top Heavy Duty 1"

Description

- Heavy duty belt
- Imperial widths
- 12.7 mm (0.5") thick
- High strength and stiffness
- 0% open area
- Closed hinge
- Rod diameter 6 mm (0.22")
- Smart Fit rod retention
- Double row solid and split sprockets

Available accessories

- GripTop modules



Belt data

Belt material		POM		PP	
Rod material		PA	PBT	PP	PA
Nominal tensile strength F_N^1 straight run	N/m	33000	25000	20000	25000
	lb/ft	2261	1713	1370	1713
Temperature range	°C	-40 - 93	-40 - 93	5 - 105	5 - 105
	°F	-40 - 200	-40 - 200	40 - 220	40 - 220
Belt weight m_B	kg/m ²	9.1	9.1	13.8	13.8
	lb/sqft	1.87	1.87	2.83	2.83

Diameter of idling rollers (minimum)		Diameter of support rollers (minimum)		Diameter for gravity take-up and center drive rollers (minimum)		Backbending radius for elevators without sideguards or hold down devices (minimum)	
mm	inch	mm	inch	mm	inch	mm	inch
40	1.6	50	2	100	4	150	6

Standard range of belt widths b_0

mm (nom.)	152.4	203.2	254	304.8	355.6	406.4	457.2	508	558.8	609.6	660.4	711.2	762	etc.
inch (nom.)	6	8	10	12	14	16	18	20	22	24	26	28	30	etc.

Real belt widths are in most cases 0.1% to 0.3% smaller.

Standard belt widths in increments of 2.0" (50.8 mm). Non-standard widths are offered in increments of 1.0" (25.4 mm). Smallest possible width 6.0" (152.4 mm).

For detailed material properties refer to pages 276 - 281 or contact your Habasit representative.

The nominal tensile strength is valid for 23 °C (73 °F). The admissible tensile force depends on the operating temperature near the drive sprockets. Within the temperature range allowed, the admissible tensile force may vary from 100% to 20% of the nominal tensile strength. For detailed information and correct calculation of effective tensile force refer to the Calculation Guide in the HabasitLINK® Engineering Guidelines.

HabasitLINK® Straight 1" Pitch Belting M2670 Flat Top Heavy Duty 1" MTW

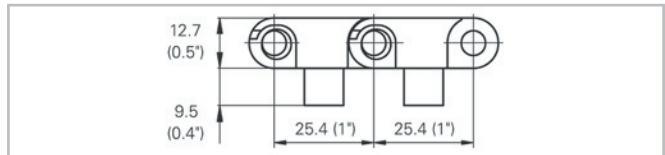
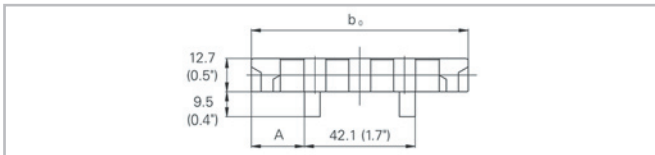
Description

- Mold to width heavy duty belt
- Imperial widths
- 12.7 mm (0.5") thick
- High strength and stiffness
- 0% open area
- Closed hinge
- Rod diameter 6 mm (0.22")
- Smart Fit rod retention
- Double row solid and split sprockets
- Two versions:
 - M2670Kxx (modules without tabs),
 - M2670Kxx-T20 (modules with 2 tabs)



Available accessories

- For standard guiding profiles, refer to the Habiplast® brochure



Belt data

	Nominal belt width b_0		A		Belt material	Rod material	Nominal tensile strength F_N straight run		Belt weight m_B	
	mm	inch	mm	inch			N	lbf	kg/m	lb/ft
M2670K03-T20	82.6	3.25	20.1	0.8	POM	PA	3200	720	1.16	0.78
M2670K03-T20	82.6	3.25	20.1	0.8	POM	PBT	2200	495	1.16	0.78
M2670K03-T20	82.6	3.25	20.1	0.8	PP	PA	1800	405	0.81	0.54
M2670K03-T20	82.6	3.25	20.1	0.8	PP	POM	1800	405	0.81	0.54
M2670K03-T20	82.6	3.25	20.1	0.8	PP	PP	1700	383	0.81	0.54
M2670K04-T20	114.3	4.5	36.0	1.4	POM	PA	4500	1013	1.62	1.09
M2670K04-T20	114.3	4.5	36.0	1.4	POM	PBT	3400	765	3.62	1.09
M2670K04-T20	114.3	4.5	36.0	1.4	PP	PA	2600	585	1.13	0.76
M2670K04-T20	114.3	4.5	36.0	1.4	PP	POM	2600	585	1.13	0.76
M2670K04-T20	114.3	4.5	36.0	1.4	PP	PP	2300	518	1.13	0.76
M2670K06-T20	152.4	6.0	55.1	2.2	POM	PA	6100	1372	2.21	1.49
M2670K06-T20	152.4	6.0	55.1	2.2	POM	PBT	4600	1035	2.21	1.49
M2670K06-T20	152.4	6.0	55.1	2.2	PP	PA	3800	855	1.54	1.03
M2670K06-T20	152.4	6.0	55.1	2.2	PP	POM	3800	855	1.54	1.03
M2670K06-T20	152.4	6.0	55.1	2.2	PP	PP	3200	720	1.54	1.03
M2670K07-T20	190.5	7.5	74.1	2.9	POM	PA	8000	1800	2.67	1.79
M2670K07-T20	190.5	7.5	74.1	2.9	POM	PBT	5700	1283	2.67	1.79
M2670K07-T20	190.5	7.5	74.1	2.9	PP	PA	5000	1125	1.86	1.25
M2670K07-T20	190.5	7.5	74.1	2.9	PP	POM	5000	1125	1.86	1.25
M2670K07-T20	190.5	7.5	74.1	2.9	PP	PP	4800	1080	1.86	1.25

The belt weights are indicated for belts with tabs, the weight of belts without tabs are lower by circa 0.05 kg/m (0.03 lb/ft).

Real belt widths are in most cases 0.1% to 0.3% smaller.

HabasitLINK® Straight 1" Pitch Belting M2670 Flat Top Heavy Duty 1" MTW

Diameter of idling rollers (minimum)		Diameter of support rollers (minimum)	
mm	inch	mm	inch
40	1.6	50	2

Temperature range

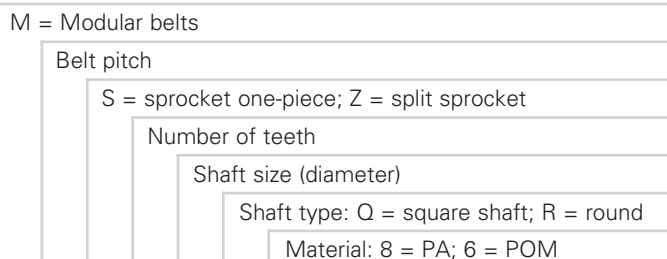
Module material	Rod material	Temperature range	
POM	PA	-40 °C to +93 °C	-40 °F to +200 °F
POM	PBT	-40 °C to +93 °C	-40 °F to +200 °F
PP	PA	+5 °C to +105 °C	+40 °F to +220 °F
PP	POM	+5 °C to +93 °C	+40 °F to +200 °F
PP	PP	+5 °C to +105 °C	+40 °F to +220 °F

For detailed material properties refer to pages 276 - 281 or contact your Habasit representative.

The nominal tensile strength is valid for 23 °C (73 °F). The admissible tensile force depends on the operating temperature near the drive sprockets. Within the temperature range allowed, the admissible tensile force may vary from 100% to 20% of the nominal tensile strength. For detailed information and correct calculation of effective tensile force refer to the Calculation Guide in the HabasitLINK® Engineering Guidelines.

HabasitLINK® Sprockets - 1" Pitch Belting

Sprocket Series M2600



M 26 S 18 40 Q 8

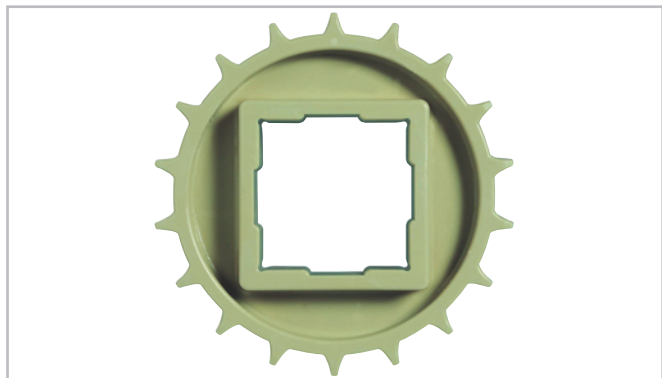
Sprocket availability

Type	Number of teeth	Diam. of pitch $\varnothing d_p$ A ₁				Hub width B _L		Square bore Q		Ø Round bore R		Standard material
		mm	inch	mm	inch	mm	inch	mm	inch	mm	inch	
S	18	147.7	5.8	67.5	2.66	40	1.57	60	2.5	-	-	PA
S-C1	12	99.1	3.9	43.2	1.70	28.5	1.12	40	1.5	30 / 40	1 / 1.5	PA
S-C1	16	131.5	5.2	59.4	2.34	28.5	1.12	40	1.5	30 / 40	1 / 1.5	PA
S-C1	18	147.7	5.8	67.5	2.66	28.5	1.12	40	1.5	30 / 40	1 / 1.5	PA
S-C1	21	172.1	6.8	79.7	3.14	28.5	1.12	40 / 60	1.5 / 2.5	30 / 40	1 / 1.5	PA
Z	18	147.7	5.8	67.5	2.66	50	1.97	40	1.5	-	-	PA
Z-C1	12	99.1	3.9	43.2	1.70	28.5	1.12	25	1	25	1	PA
Z-C1	16	131.5	5.2	59.4	2.34	28.5	1.12	40	1.5	30 / 40	1 / 1.5	PA
Z-C1	18	147.7	5.8	67.5	2.66	28.5	1.12	60	2.5	30 / 40	1 / 1.5	PA
Z-C1	21	172.1	6.8	79.7	3.14	28.5	1.12	40 / 60	1.5 / 2.5	30 / 40	1 / 1.5	PA

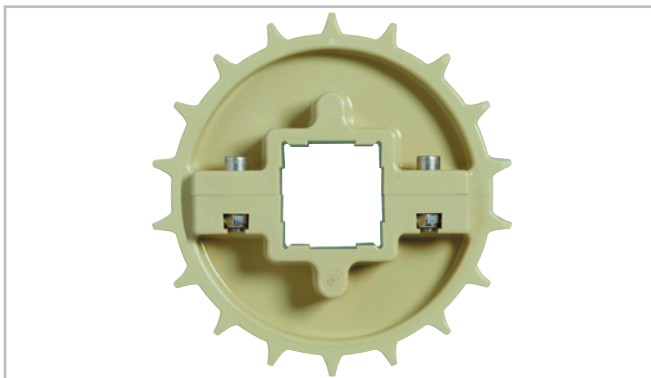
S, Z: molded sprockets; S-C1, Z-C1: machined sprockets. Other sprocket and hub sizes on request.

Key ways for round bore shape follow European standards for metric sizes and US standards for imperial sizes. For detailed dimensions see table in the Design Guide.

Other materials and **Multi-Hub sprockets** (split sprockets with interchangeable hubs) are available on request.

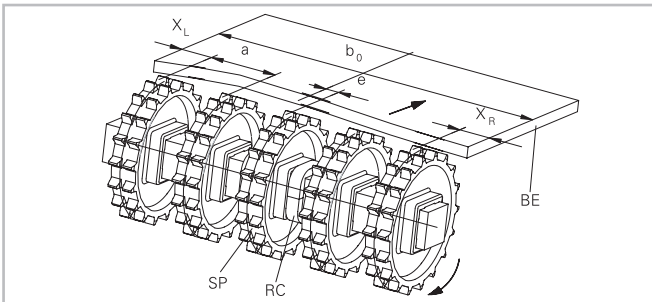


Sprocket one-piece (solid)

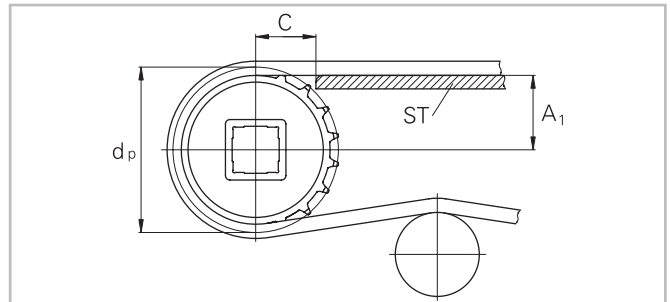


Split sprocket

Sprocket arrangement



BE Belt
RC Retainer
SP Sprocket
b₀ belt width



The distance **C** between the sprocket axis and the slider support **ST** is minimal 28 mm (1.1").

Wearstrips

Between driving shaft and idling sprockets or rollers the belt is carried by a slider support furnished with longitudinal wear strips (SL) from UHMW Polyethylene or other suitable material.

Sprocket positioning

For correct positioning of the center sprocket divide the belt width by the link increment. The rounded result will be an even or an odd number. These numbers are the criteria for offset or no offset, see table.

Belt type	Sprocket spacing a		Sprocket edge distance (minimal)		Criteria for center sprocket position	Result of formula (rounded)	Offset e	Remarks
	minimal	maximal	X _L	X _R				
	mm inch	mm inch	mm inch	mm inch				
M2620	85 3.35	170 6.7	42.5 1.67	42.5 1.67	b ₀ / 17 b ₀ / 0.67	even number (2, 4, 6 ...)	8.5 0.33	right or left side
						odd number (3, 5, 7 ...)	0 0	no offset
M2670	76.2 3.0	152.4 6.0	40.0 1.57	40.0 1.57	b ₀ / 25.4 b ₀ / 1.0	even number (2, 4, 6 ...)	12.7 0.5	right or left side
						odd number (3, 5, 7 ...)	0 0	no offset
M2670K03	n.a.	n.a.	41.5 1.63	41.5 1.63	n.a.	n.a.	n.a.	fixed number of sprockets in dedicated position
						n.a.	n.a.	fixed number of sprockets in dedicated position
M2670K04	n.a.	n.a.	57 2.24	57 2.24	n.a.	n.a.	n.a.	fixed number of sprockets in dedicated position
						n.a.	n.a.	fixed number of sprockets in dedicated position
M2670K06	n.a.	n.a.	25.1 0.99	25.1 0.99	n.a.	n.a.	n.a.	fixed number of sprockets in dedicated position
						n.a.	n.a.	fixed number of sprockets in dedicated position
M2670K07	n.a.	n.a.	27.2 1.07	27.2 1.07	n.a.	n.a.	n.a.	fixed number of sprockets in dedicated position
						n.a.	n.a.	fixed number of sprockets in dedicated position

Numbers of sprockets and wearstrips for M2620

Standard belt width (nominal)		Number of sprockets per shaft	Number of wearstrips	
mm	<i>inch</i>	min. number	Carryway (top)	Returnway (bottom)
85	3.3	1*	2	2
170	6.7	2	2	2
255	10.0	2	2	2
340	13.4	2	2	2
425	16.7	3	3	3
510	20.1	3	3	3
595	23.4	4	4	3
680	26.8	4	4	3
765	30.1	5	5	4
850	33.5	5	5	4
935	36.8	6	6	4
1'105	43.5	7	7	5
1'190	46.9	7	7	5
1'275	50.2	8	8	5
1'360	53.5	8	8	5
1'445	56.9	9	9	6
1'530	60.2	9	9	6
1'615	63.6	10	10	6
1'700	66.9	10	10	6
1'785	70.3	11	11	7
1'870	73.6	11	11	7
1'955	77.0	12	12	7
2'040	80.3	12	12	7

The number of sprockets depends on the belt load and may be different for driving and idling shafts. For calculation of correct sprocket number please use LINK-SeleCalc.

(*) Note: 2 sprockets are possible when using machined sprockets (width 28.5 mm)

Numbers of sprockets and wearstrips for M2670

Standard belt width (nominal)		Number of sprockets per shaft		Number of wearstrips	
mm	<i>inch</i>	min. number		Carryway (top)	Returnway (bottom)
152	6	2		2	2
203	8	2		2	2
254	10	2		2	2
305	12	2		2	2
356	14	3		3	3
406	16	3		3	3
457	18	3		3	3
508	20	5		4	3
559	22	5		4	3
610	24	5		4	3
660	26	5		4	3
711	28	5		5	4
762	30	5		5	4
813	32	5		5	4
864	34	5		5	4
914	36	7		6	4
1'067	42	7		7	5
1'219	48	9		8	5
1'372	54	9		8	5
1'524	60	9		9	6
1'829	72	11		11	6
2'134	84	13		13	6

The number of sprockets depends on the belt load and may be different for driving and idling shafts. For calculation of correct sprocket number please use LINK-SeleCalc.

Numbers of sprockets and wearstrips for M2670 MTW (M2670Kxx)

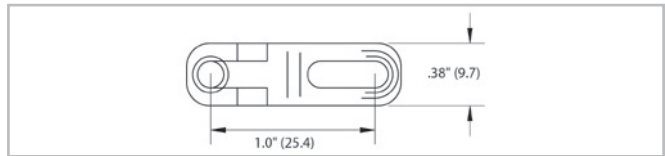
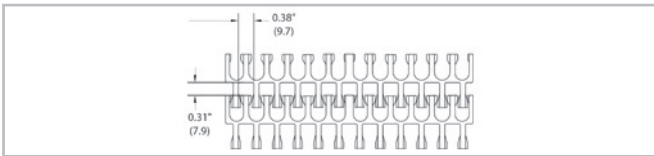
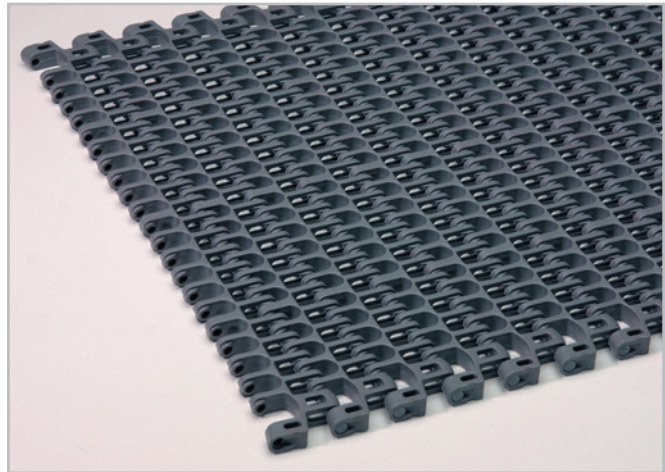
Standard belt width (nominal)		Number of sprockets per shaft		Number of wearstrips	
mm	<i>inch</i>	idler	drive	Carryway (top)	Returnway (bottom)
82.6	3.25	1	1	2	2
114.3	4.5	1	1	2	2
152.4	6.0	2	3	2	2
190.5	7.5	2	3	2	2

The number of sprockets depends on the belt load and may be different for driving and idling shafts. For calculation of correct sprocket number please use LINK-SeleCalc.

KVP® Straight 1" Pitch Belting IS610-S (All-In-One)

Description

- 1 inch pitch
- 72% open area
- Food approved materials
- Bi-directional
- Connecting rod diameter = 0.156 inch (4.0 mm)
- Standard belt width increments = 3 inches (76.2 mm) nominal, starting from 6 inches (152.4 mm)
- Non-standard widths available in 1/2 inch (12.7 mm) increments starting at 4 inches (101.6 mm) upon request
- Material selection may affect belt width — please contact your local partner for actual dimensions

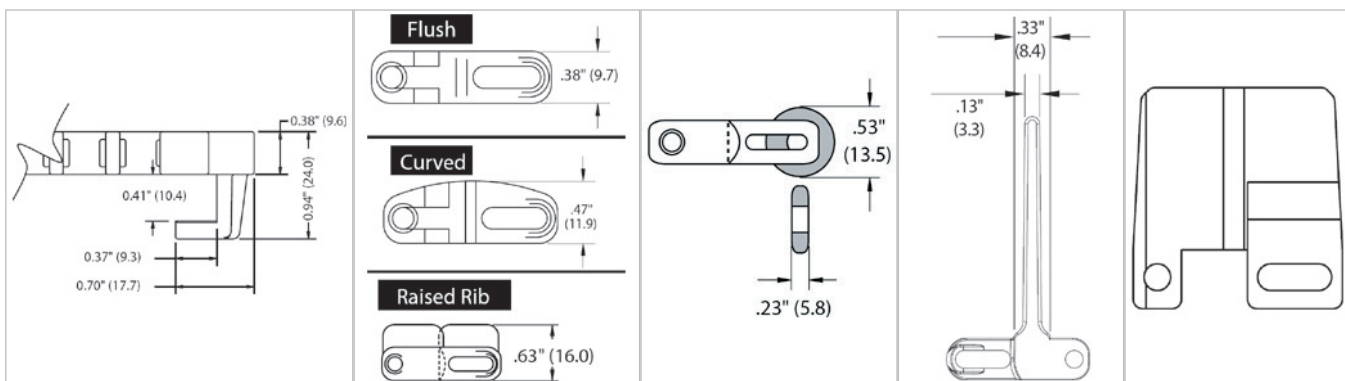


Belt data

Belt material		PP	PE	POM	Nylon (PA 66)	PP +GR
Rod material		PP	PE		PP	
Nominal tensile strength F'_N straight run	N/m lb/ft	10215 700	8172 560	15323 1050	15323 1050	8172 560
Temperature range	°C °F	5 - 105 40 - 220	-70 - 65 -94 - 150	5 - 93 40 - 200	10 - 118 50 - 245	5 - 105 40 - 220
Belt weight m_B	kg/m ² lb/sqft	3.4 0.70	3.7 0.75	5.0 1.03	4.4 0.91	3.4 0.70
Standard belt color		gray/white	white	blue/off-white	dark gray	tan

Additional belt colors and materials available, abrasive resistant Nylon (Polyamide) rods available – contact your local partner.

Belt accessories



Hold down tabs

Inserts
Note: Inserts may affect belt pull - please contact your local partner.

Rollers

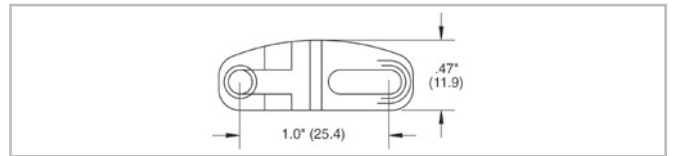
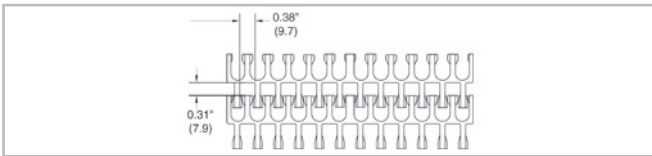
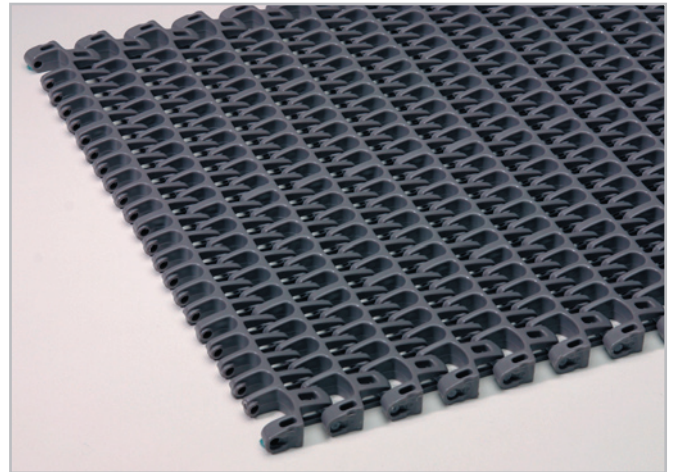
Standard flights
Standard flights are available in 2" and 4" heights. Standard flights indent is 1" or 3" from outside edge of belt.

Sideplates
Sideplates are available in standard 1" and 2" heights. Note: Sideplate must be indented 1" from outside edge of the belt.

KVP® Straight 1" Pitch Belting CT610-S (All-In-One Curved Top)

Description

- 1 inch pitch
- 72% open area with reduced product contact and constant scraper contact capability
- Food approved materials
- Bi-directional
- Connecting rod diameter = 0.156 inch (4.0 mm)
- Standard belt width increments = 3 inch (76.2 mm) nominal, starting from 6 inches (152.4 mm)
- Non-standard widths available in 1/2 inch (12.7 mm) increments starting at 4 inches (101.6 mm) upon request
- Material selection may affect belt width — please contact your local partner for actual dimensions

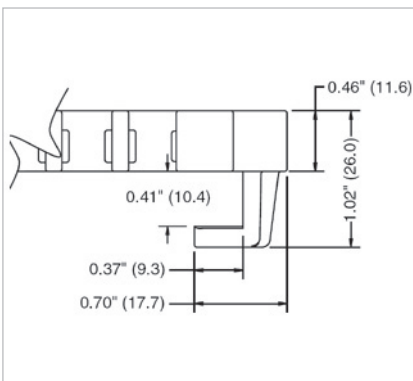


Belt data

Belt material		PP	PE	POM	Nylon (PA 612)
Rod material		PP	PE	POM	PP
Nominal tensile strength F_N^1 straight run	N/m	10215	8172	15323	15323
	lb/ft	700	560	1050	1050
Temperature range	°C	5 - 105	-70 - 65	5 - 93	5 - 118
	°F	40 - 220	-94 - 150	40 - 200	40 - 245
Belt weight m_B	kg/m ²	4.0	4.3	5.9	5.0
	lb/sqft	0.81	0.87	1.20	1.03
Standard belt color		gray	white	blue/off-white	gray

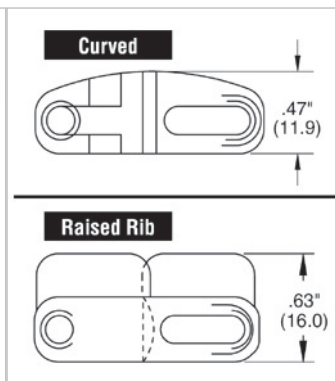
Additional belt colors and materials available, abrasive resistant Nylon (Polyamide) rods available – contact your local partner.

Belt accessories



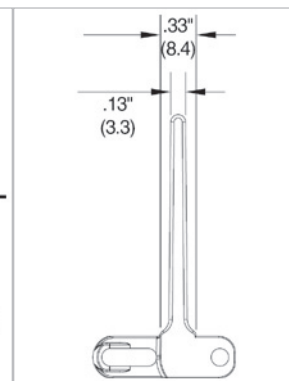
Hold down tabs

Hold down tabs available in propylene and acetal only.



Inserts

Note: Inserts may affect belt pull - please contact your local partner.



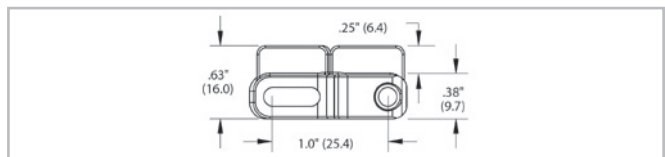
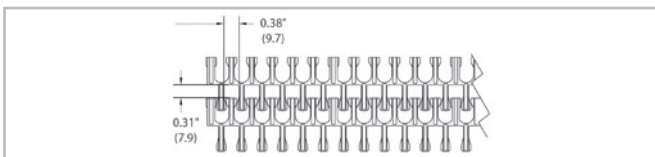
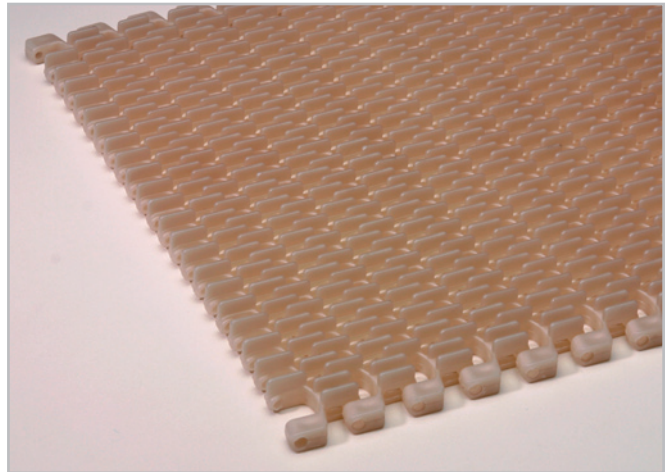
Standard flights

Standard flights are available in 2" and 4" heights. Standard flights indent is 1" or 3" from outside edge of belt.

KVP® Straight 1" Pitch Belting RR610 (All-In-One Rib Top)

Description

- 1 inch pitch
- 72% open area with reduced product contact
- Food approved materials
- Bi-directional
- Connecting rod diameter = 0.156 inch (4.0 mm)
- Standard belt width increments = 3 inch (76.2 mm) nominal, starting from 6 inches (152.4 mm)
- Non-standard widths available in 1/2 inch (12.7 mm) increments starting at 5 inches (127 mm) upon request
- Material selection may affect belt width — please contact your local partner for actual dimensions

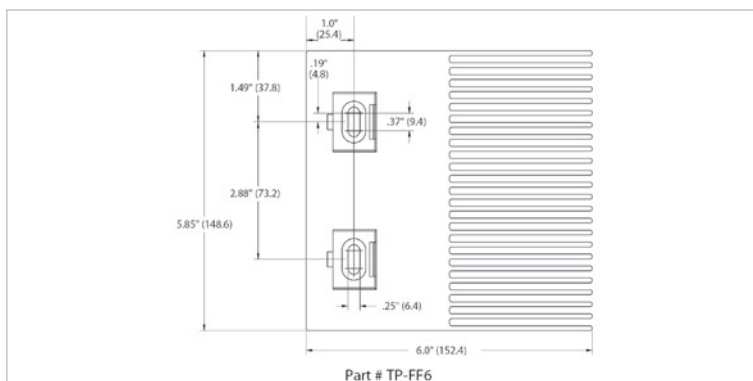


Belt data

Belt material		PP +GR
Rod material		PP
Nominal tensile strength F'_N	N/m lb/ft	8172 560
Temperature range	°C °F	5 - 105 40 - 220
Belt weight m_B	kg/m ² lb/sqft	5.5 1.13
Standard belt color		tan

Additional belt colors and materials available, abrasive resistant Nylon (Polyamide) rods available – contact your local partner.

Belt accessories



Transfer plate

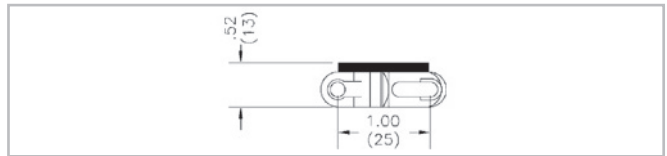
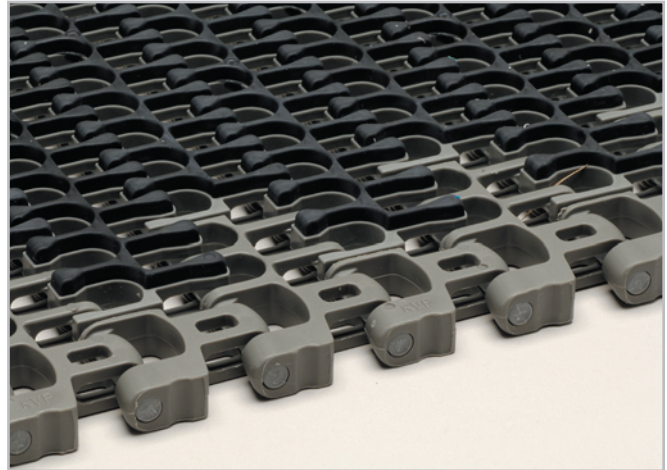


Transfer plate

KVP® Straight 1" Pitch Belting IS610 TP (Traction Pro)

Description

- Open design
- Maintained belt strength
- Elimination of leading edge lift
- Locked on friction material
- Flexible build patterns
- Optional configurations — contact your local partner
- 72 durometer Shore A
- Connecting rod diameter = 0.156 inch (4.0 mm)



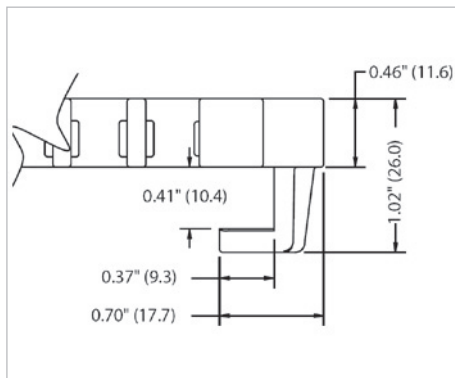
Belt data

Belt material		PP	
Rod material		PP	Nylon (PA)
Nominal tensile strength F_N^1 straight run	N/m lb/ft	10215 700	
Nominal tensile strength F_N in curve ⁽¹⁾	N lbf		800 180
Temperature range	°C °F	5 - 71 40 - 160	5 - 71 40 - 160
Belt weight m_B	kg/m ² lb/sqft	3.4 0.70	3.4 0.70
Standard belt color		gray/white	gray/white

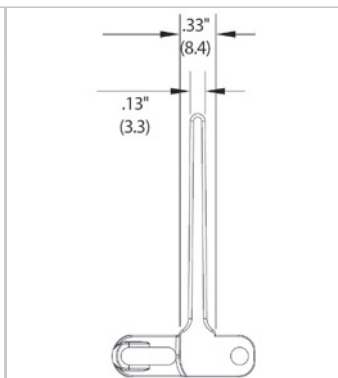
Additional belt colors and materials available, abrasive resistant Nylon (Polyamide) rods available – contact your local partner.

Over mold colors: gray base with black top; white base with white top

Belt accessories



Hold down tabs
Hold down tabs available in propylene and acetal only.

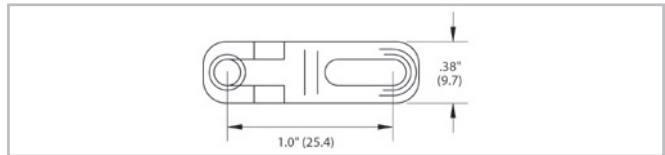
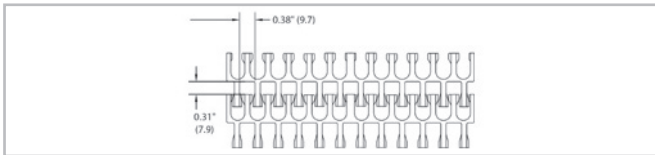
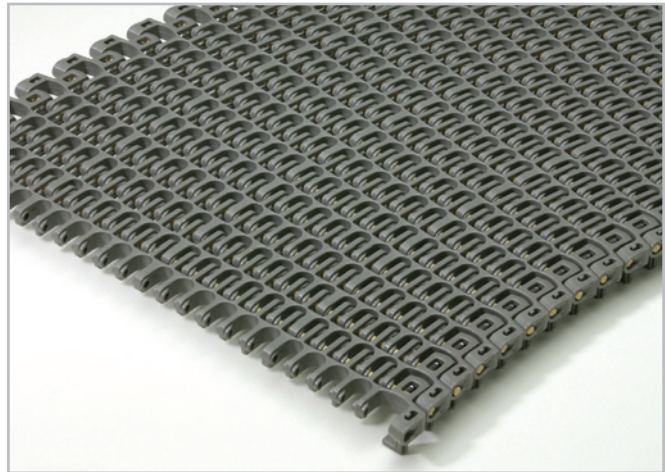


Standard flights
Standard flights are available in standard 2" and 4" heights. Standard flight indent is 1" or 3" from outside edge of belt.

KVP® Radius 1" Pitch Belting IS610-R (All-In-One)

Description

- 1 inch pitch
- Belt turning radius equals 2.2 times the nominal belt width up to 24 inches (609.6 mm)
- Belt turning radius equals 2.5 times the nominal belt width over 24 inches (609.6 mm)
- 72% open area
- Food approved materials
- Bi-directional
- Connecting rod diameter = 0.156 inch (4.0 mm)
- Standard belt width increments = 3 inch (76.2 mm) nominal, starting from 6 inches (152.4 mm)
- Non-standard widths available in 1/2 inch (12.7 mm) increments starting at 3 inches (76.2 mm) upon request
- Material selection may affect belt width — please contact your local partner for actual dimensions



Belt data

Belt material		PP	POM	Nylon (PA 66)
Rod material		Nylon (PA)		
Nominal tensile strength F_N in curve ⁽¹⁾	N <i>lbf</i>	800 <i>180</i>	1334 <i>300</i>	1334 <i>300</i>
Temperature range	°C	5 - 105	-40 - 93	-40 - 118
	°F	40 - 220	-40 - 200	-40 - 245
Belt weight m_B	kg/m ²	3.4	6.4	4.4
	<i>lb/sqft</i>	<i>0.70</i>	<i>1.03</i>	<i>0.91</i>
Standard belt color		gray/white	blue/off-white	dark gray

Additional belt colors and materials available - contact your local partner.

Belt accessories

	<p>Flush</p> <p>Curved</p> <p>Raised Rib</p>			
--	-------------------------------------------------------------------	--	--	--

Hold down tabs

Inserts
Note: Inserts may affect belt pull — please contact your local partner.

Rollers
Note: The use of rollers will change the turning radius to 3.5.

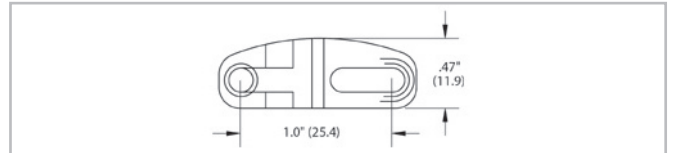
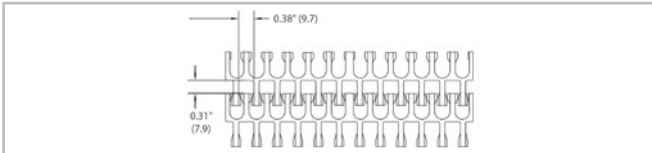
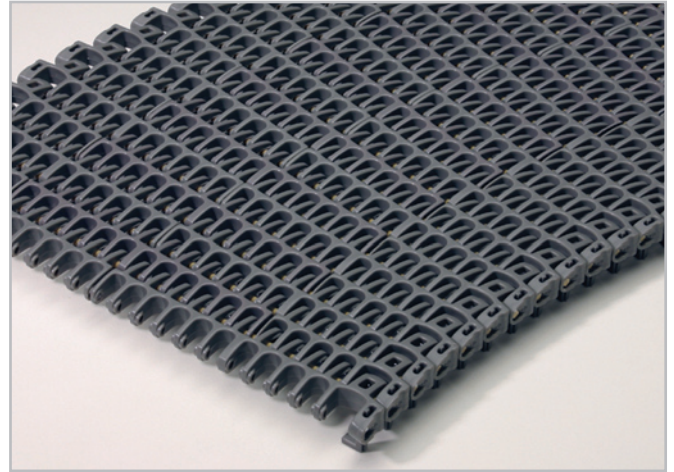
Standard flights
Standard flights are available in 1" and 2" heights. Standard flight indent is 1" or 3" from outside edge of belt.

Sideplates
Sideplates are available in standard 1" and 2" heights. Note: Sideplates must be indented a minimum of 1" from outside edge of belt.

KVP® Radius 1" Pitch Belting CT610-R (All-In-One Curved Top)

Description

- 1 inch pitch
- Belt turning radius equals 2.2 times the nominal belt width up to 24 inches (609.6 mm)
- Belt turning radius equals 2.5 times the nominal belt width over 24 inches (609.6 mm)
- 72% open area with reduced product contact and constant scraper contact capability
- Food approved materials
- Bi-directional
- Connecting rod diameter = 0.156 inch (4.0 mm)
- Standard belt width increments = 3 inch (76.2 mm) nominal, starting from 6 inches (152.4 mm)
- Non-standard widths available in 1/2 inch (12.7 mm) increments starting at 3 inches (76.2 mm) upon request
- Material selection may affect belt width — please contact your local partner for actual dimensions

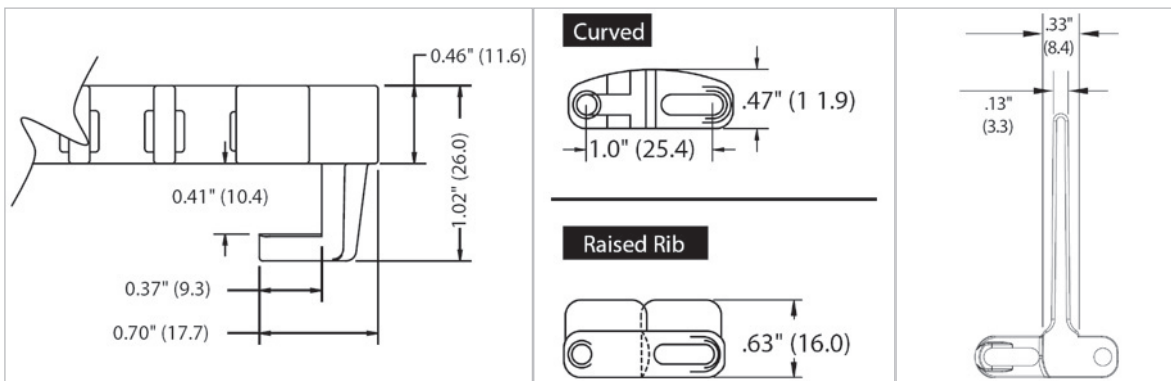


Belt data

Belt material		PP	POM	Nylon (PA 66)
Rod material		Nylon (PA)		
Nominal tensile strength F_N in curve ⁽¹⁾	N lbf	800 180	1334 300	1334 300
Temperature range	°C	5 - 105	-40 - 93	-40 - 118
	°F	40 - 220	-40 - 200	-40 - 245
Belt weight m_b	kg/m ² lb/sqft	4.0 0.81	5.9 1.20	5.0 1.03
Standard belt color		gray	blue/off-white	gray

Additional belt colors and materials available - contact your local partner.

Belt accessories



Hold down tabs

Inserts

Note: Inserts may affect belt pull - please contact your local partner.

Standard flights

Standard flights are available in standard 1" and 2" heights. Standard flight indent is 1" or 3" from outside edge of belt.

KVP® Sprockets – 1" Pitch Belting

IS610, CT610, RR610, IS610 TP



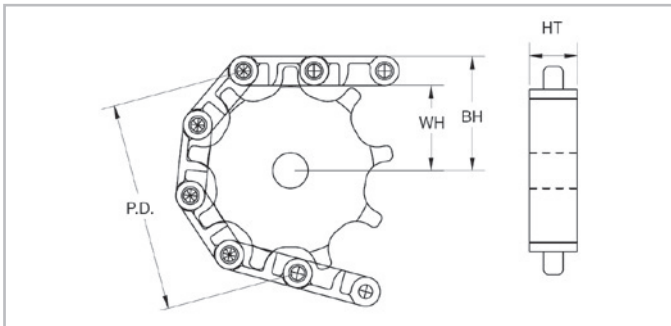
Molded sprocket



Machined sprocket



Puzzle split sprocket



Sprocket part number	Number of teeth	(PD) Nominal pitch diameter		(WH) Shaft center to top of wearstrip		All-in-One (BH) Shaft center to top of belt		Curved Top (BH) Shaft center to top of belt curve		Rugged Rib Top (BH) Shaft center to top of belt rib		Rugged Texture Top (BH) Shaft center to top of belt rib		(HT) Hub thickness	
		inch	mm	inch	mm	inch	mm	inch	mm	inch	mm	inch	mm	inch	mm
71007M*	7	2.31	59	0.97	25	1.34	34	1.43	36	1.6	41	1.36	35	1.5	38
71009M*	9	2.92	74	1.27	32	1.65	42	1.74	44	1.91	48	1.67	42	1.5	38
71012M	12	3.87	98	1.75	44	2.12	54	2.21	56	2.38	60	2.14	54	1.5	38
71015M	15	4.81	122	2.22	56	2.59	66	2.68	68	2.85	72	2.61	66	1.5	38
SP71018	18	5.80	147	2.71	69	3.09	78	3.18	81	3.35	85	3.11	79	0.75	19
SP71019	19	6.38	162	2.85	72	3.23	82	3.32	84	3.64	92	3.25	83	0.75	19
SP71030	30	9.54	242	4.58	116	4.96	126	5.05	128	5.22	132	4.98	126	0.75	19

M = molded sprocket

Split sprockets and other tooth sizes are available. Standard machined sprocket material is UHMW, Nylon and Urethane are available. Please contact your local partner.

* Cannot be used with belts with hold down tabs – 9 tooth works with 1" round bores.

Sprocket part number	Available bore size															
	25 mm	1"	1" sq.	30 mm	1-1/4"	1-7/16"	1-1/2"	1-1/2" sq.	40 mm	40 mm sq.	1-15/16"	50 mm	2" sq.	60 mm	60 mm sq.	2-1/2" sq.
71007M*	✓	✓	✓	✓	-	-	-	-	-	-	-	-	-	-	-	-
71009M*	✓	✓	✓	✓	-	✓	✓	-	-	-	-	-	-	-	-	-
71012M	✓	✓	✓	✓	-	✓	✓	-	-	-	✓	-	-	-	-	-
71015M	-	✓	-	✓	✓	✓	✓	✓	✓	✓	✓	-	-	-	-	-
SP71018	✓	✓	✓	✓	✓	✓	✓	✓	✓	✓	✓	✓	✓	✓	✓	✓
SP71019	✓	✓	✓	✓	✓	✓	✓	✓	✓	✓	✓	✓	✓	✓	✓	✓
SP71030	✓	✓	✓	✓	✓	✓	✓	✓	✓	✓	✓	✓	✓	✓	✓	✓

M = molded sprocket

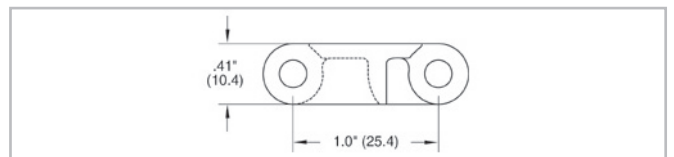
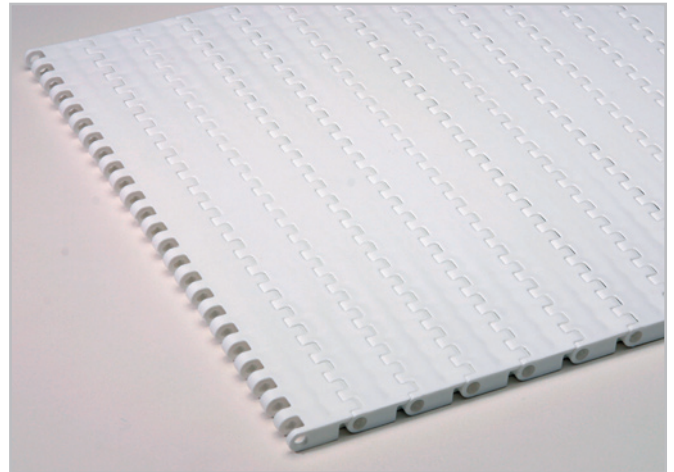
All bore sizes are round bore unless designated square (sq.).

* Cannot be used with belts with hold down tabs – 9 tooth works with 1" round bores.

KVP® Straight 1" Pitch Belting ST610 (Solid Top)

Description

- 1 inch pitch
- Solid top surface
- Bi-directional
- Connecting rod diameter = 0.188 inch (4.8 mm)
- Standard belt width increments = 1 inch (25.4 mm) nominal, starting from 6 inches (152.4 mm)
- Non-standard widths available in 1/2 inch (12.7 mm) increments starting at 3 inches (76.2 mm) upon request
- Material selection may affect belt width — please contact your local partner for actual dimensions

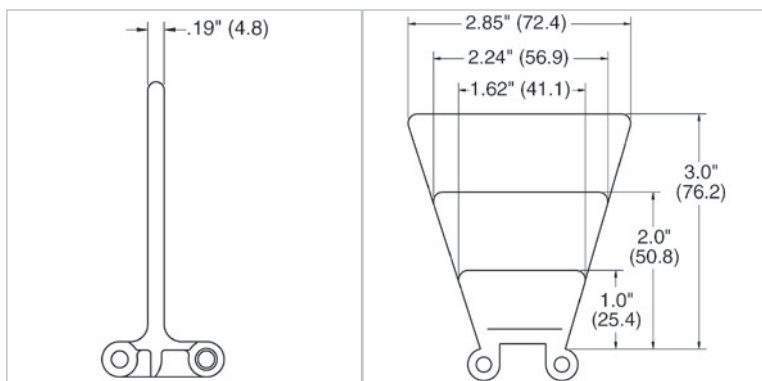


Belt data

Belt material		PP	PE	POM
Rod material		PP	PE	PP
Nominal tensile strength F_N^1 straight run	N/m lb/ft	12259 840	10216 700	15323 1050
Temperature range	°C °F	5 - 105 40 - 220	-70 - 65 -94 - 150	5 - 93 40 - 200
Belt weight m_B	kg/m ² lb/sqft	6.0 1.22	6.1 1.24	12.5 2.56
Standard belt color		white	white	blue

Additional belt colors and materials available, abrasive resistant Nylon (Polyamide) and stainless steel rods available - contact your local partner.

Belt accessories



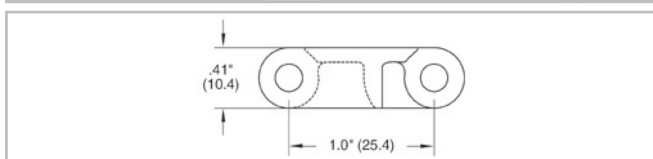
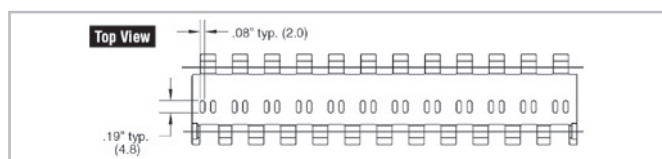
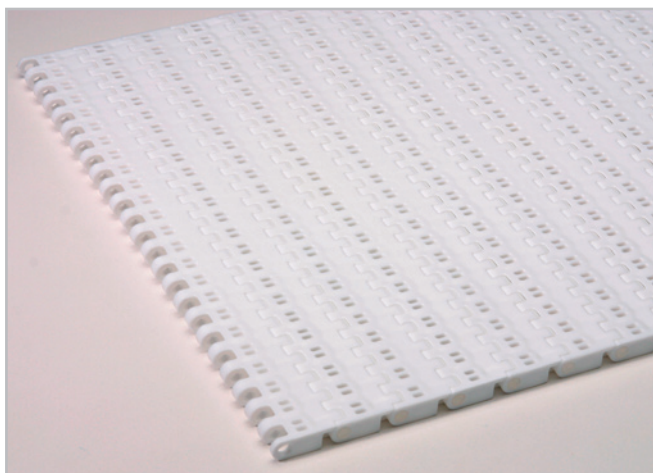
Flights
Standard flights are available in 1", 2", and 3" heights. Standard flight indent is 1" or greater from outside edge of belt.

Sideplates
Sideplates are available in standard 1", 2", and 3" heights.

KVP® Straight 1" Pitch Belting VT610 (Vented Top)

Description

- 1 inch pitch
- 10% open area
- Bi-directional
- Connecting rod diameter = 0.188 inch (4.8 mm)
- Standard belt width increments = 1 inch (25.4 mm) nominal, starting from 6 inches (152.4 mm)
- Non-standard widths available in 1/2 inch (12.7 mm) increments starting at 3 inches (76.2 mm) upon request
- Material selection may affect belt width — please contact your local partner for actual dimensions

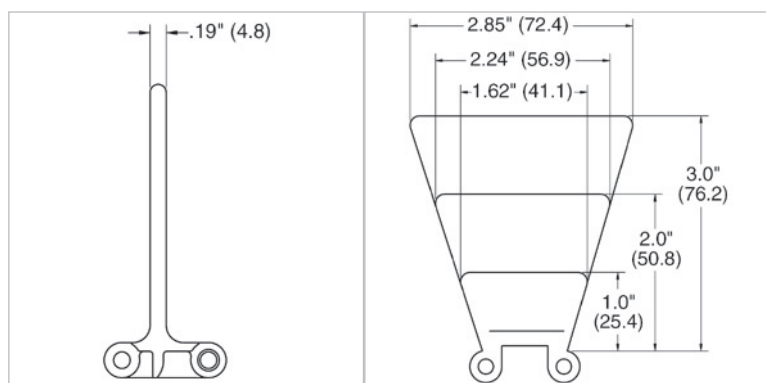


Belt data

Belt material		PP	PE
Rod material		PP	PE
Nominal tensile strength F'_N straight run	N/m	12259	10216
	lb/ft	840	700
Temperature range	°C	5 - 105	-70 - 65
	°F	40 - 220	-94 - 150
Belt weight m_B	kg/m ²	6.0	6.1
	lb/sqft	1.22	1.25
Standard belt color		white	white

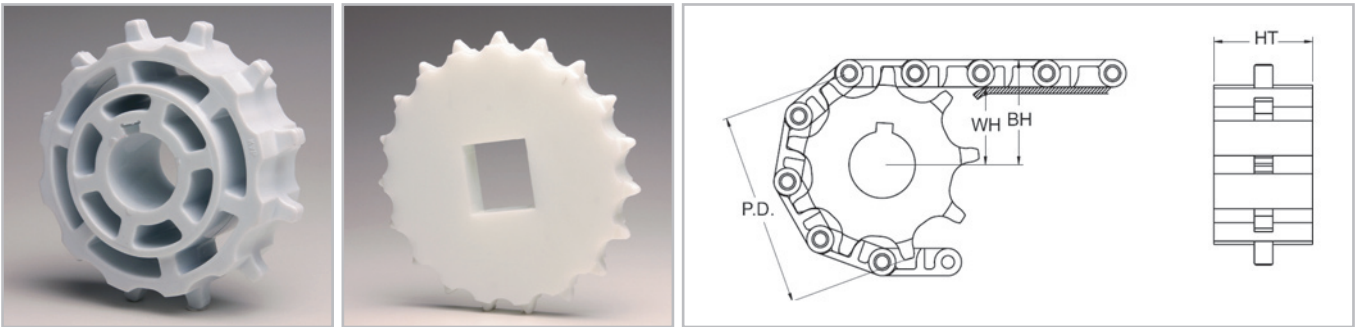
Additional belt colors and materials available, abrasive resistant Nylon (Polyamide) and stainless steel rods available - contact your local partner.

Belt accessories



Flights
Standard flights are available in 1", 2", and 3" heights. Standard flight indent is 1" or greater from outside edge of belt.

Sideplates
Sideplates are available in standard 1", 2", and 3" heights.



Molded sprocket

Machined sprocket

Sprocket part number	Number of teeth	(PD)		(WH)		(BH)		(HT)	
		Nominal pitch diameter		Shaft center to top of wearstrip		Shaft center to top of belt		Hub thickness	
		inch	mm	inch	mm	inch	mm	inch	mm
71007M	7	2.31	59	0.95	24	1.36	35	1.5	38
71009M	9	2.92	74	1.25	32	1.66	42	1.5	38
71012M	12	3.87	98	1.73	44	2.14	54	1.5	38
71015M	15	4.81	122	2.20	56	2.61	66	1.5	38
SP71018	18	5.80	147	2.69	68	3.10	79	0.75	19
SP71019	19	6.38	162	2.83	72	3.24	82	0.75	19
SP71030	30	9.54	242	4.56	116	4.97	126	0.75	19

M = molded sprocket

Split sprockets and other tooth sizes are available. Standard machined sprocket material is UHMW, Nylon and Urethane are available. Please contact your local partner.

Sprocket part number	Available bore size															
	25 mm	1"	1" sq.	30 mm	1-1/4"	1-7/16"	1-1/2"	1-1/2" sq.	40 mm	40 mm sq.	1-15/16"	50 mm	2" sq.	60 mm	60 mm sq.	2-1/2" sq.
71007M*	✓	✓	✓	✓	-	-	-	-	-	-	-	-	-	-	-	-
71009M*	✓	✓	✓	✓	-	✓	✓	-	-	-	-	-	-	-	-	-
71012M	✓	✓	✓	✓	-	✓	✓	-	-	-	✓	-	-	-	-	-
71015M	-	✓	-	✓	✓	✓	✓	✓	✓	✓	✓	-	-	-	-	-
SP71018	✓	✓	✓	✓	✓	✓	✓	✓	✓	✓	✓	✓	✓	✓	✓	✓
SP71019	✓	✓	✓	✓	✓	✓	✓	✓	✓	✓	✓	✓	✓	✓	✓	✓
SP71030	✓	✓	✓	✓	✓	✓	✓	✓	✓	✓	✓	✓	✓	✓	✓	✓

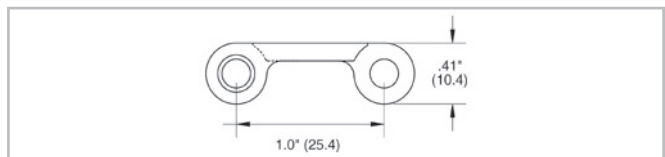
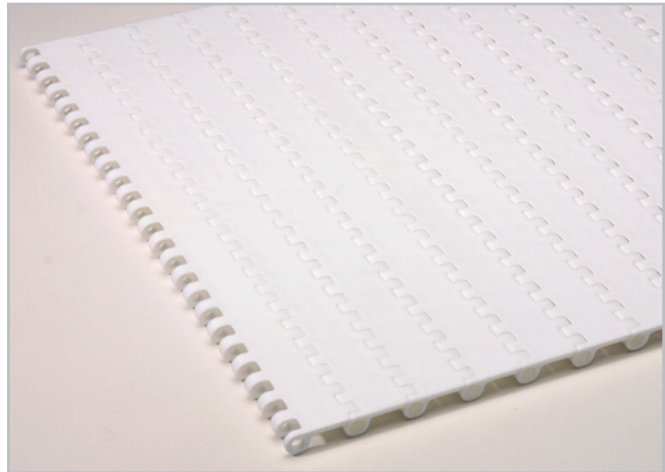
M = molded sprocket

All bore sizes are round bore unless designated square (sq.)

KVP® Straight 1" Pitch Belting HDS610 ST (Solid Top)

Description

- 1 inch pitch
- Solid top surface
- Food approved materials
- Bi-directional
- Connecting rod diameter = 0.188 inch (4.8 mm)
- Standard belt width increments = 1 inch (25.4 mm) nominal, starting from 6 inches (152.4 mm)
- Non-standard widths available in 1/2 inch (12.7 mm) increments starting at 3 inches (76.2 mm) upon request
- Material selection may affect belt width — please contact your local partner for actual dimensions

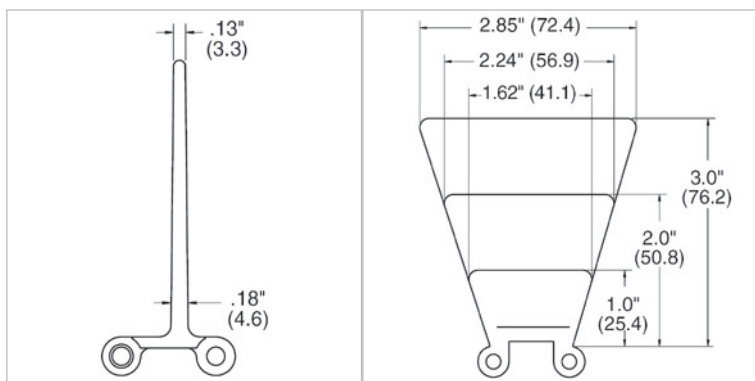


Belt data

Belt material		PP	PE	POM
Rod material		PP	PE	PP
Nominal tensile strength F'_N straight run	N/m	10216	7297	17513
	lb/ft	700	500	1200
Temperature range	°C	5 - 105	-70 - 65	5 - 93
	°F	40 - 220	-94 - 150	40 - 200
Belt weight m_B	kg/m ²	4.3	4.6	6.7
	lb/sqft	0.89	0.95	1.37
Standard belt color		white	white	blue/white

Additional belt colors and materials available, abrasive resistant Nylon (Polyamide) and stainless steel rods available - contact your local partner.

Belt accessories



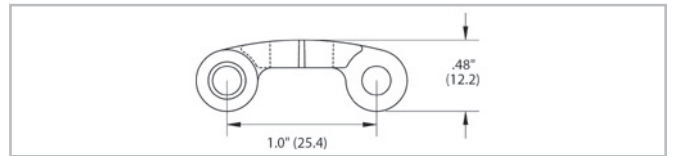
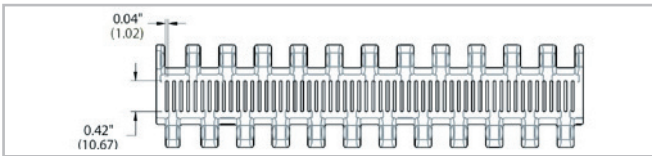
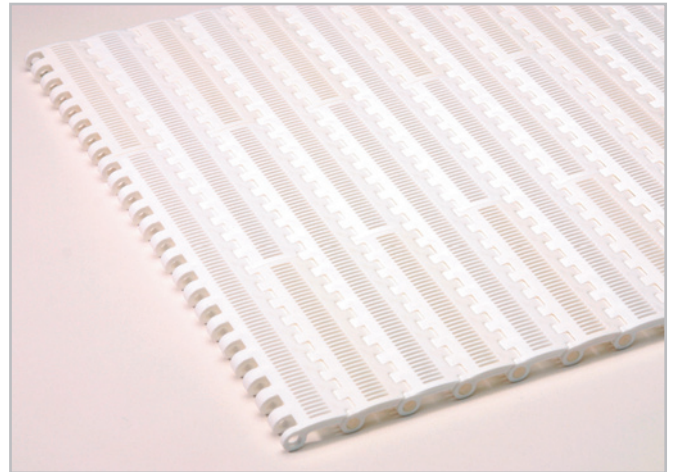
Flights
Standard flights are available in 1", 2", and 3" heights. Standard flight indent is 1" or greater from outside edge of belt.

Sideplates
Sideplates are available in standard 1", 2", and 3" heights. Minimum indent is 1/8" from outside edge of belt.

KVP® Straight 1" Pitch Belting HDS610 CVT (Curved Vented Top)

Description

- 1 inch pitch
- 20% open area with reduced product contact and constant scraper contact capability
- Food approved materials
- Bi-directional
- Connecting rod diameter = 0.188 inch (4.8 mm)
- Standard belt width increments = 3 inch (76.2 mm) nominal, starting from 6 inch (152.4 mm)
- Non-standard widths available in 1/2 inch (12.7 mm) increments starting at 3 inches (76.2 mm) upon request
- Material selection may affect belt width — please contact your local partner for actual dimensions

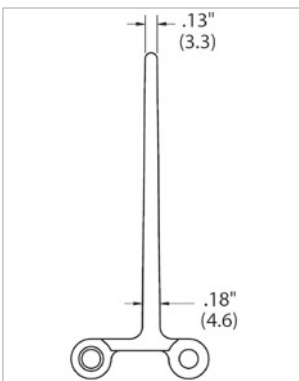


Belt data

Belt material		PP	POM
Rod material		PP	
Nominal tensile strength F_N^1 straight run	N/m lb/ft	700 10216	1200 17513
Temperature range	°C °F	5 - 105 40 - 220	5 - 93 40 - 200
Belt weight m_B	kg/m ² lb/sqft	4.5 0.92	6.9 1.42
Standard belt color		black/white	black

Additional belt colors and materials available, abrasive resistant Nylon (Polyamide) and stainless steel rods available - contact your local partner.

Belt accessories

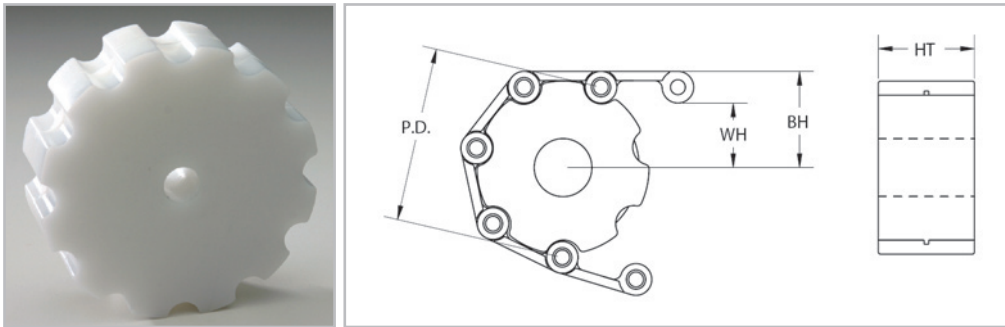


Flights

Standard flights are available in 1", 2", and 3" heights. Standard flight indent is 1" or greater from outside edge of belt.

KVP® Sprockets – 1" Pitch Belting

HDS610 ST, HDS610 CVT



Machined sprocket

Sprocket part number	Number of teeth	(PD) Nominal pitch diameter		(WH) Shaft center to top of wearstrip		(BH) Shaft center to top of belt		Curved Vented Top (BH) Shaft center to top of belt curve		(HT) Hub thickness	
		inch	mm	inch	mm	inch	mm	inch	mm	inch	mm
HDS71007	7	2.30	59	0.95	24	1.36	35	1.43	36	1.25	32
HDS71009	9	2.92	74	1.26	32	1.67	42	1.74	44	1.25	32
HDS71012	12	3.86	98	1.73	44	2.14	54	2.21	56	1.25	32
HDS71015	15	4.81	122	2.20	56	2.61	66	2.68	68	1.25	32
HDS71018	18	5.76	146	2.67	68	3.08	78	3.15	80	1.25	32

Split sprockets and other tooth sizes are available. Standard machined sprocket material is UHMW, Nylon and Urethane are available. Please contact your local partner.

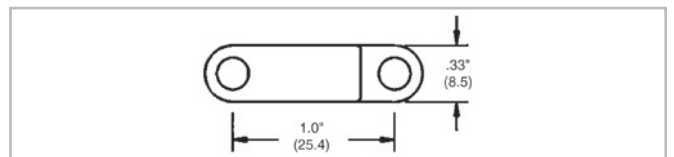
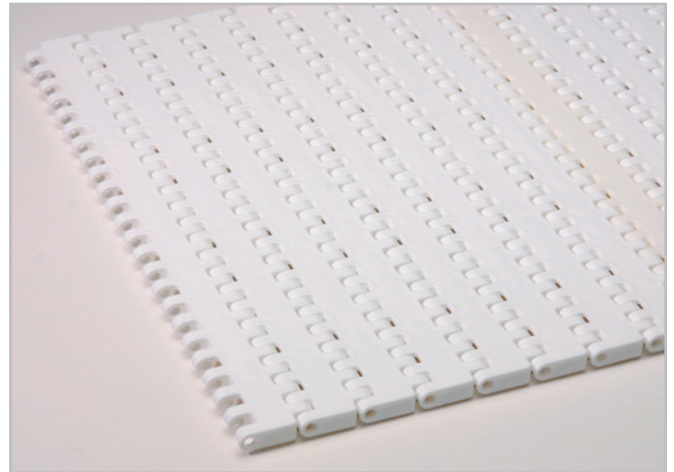
Sprocket part number	Available bore size														
	3/4"	25 mm	1"	1" sq.	30 mm	1-1/4"	1-7/16"	1-1/2"	1-1/2" sq.	40 mm	40 mm sq.	1-15/16"	50 mm	2"	2-1/2" sq.
HDS71007	✓	✓	✓	✓	✓	✓	✓	✓	-	-	-	-	-	-	-
HDS71009	✓	✓	✓	✓	✓	✓	✓	✓	-	-	-	-	-	-	-
HDS71012	✓	✓	✓	✓	✓	✓	✓	✓	✓	✓	✓	✓	✓	✓	-
HDS71015	✓	✓	✓	✓	✓	✓	✓	✓	✓	✓	✓	✓	✓	✓	-
HDS71018	✓	✓	✓	✓	✓	✓	✓	✓	✓	✓	✓	✓	✓	✓	✓

All bore sizes are round bore unless designated square (sq.).

KVP® Straight 1" Pitch Belting 208 CL (208 Closed)

Description

- 1 inch pitch
- Solid top surface
- Food approved materials
- Bi-directional
- Connecting rod diameter = 0.188 inch (4.8 mm)
- Standard belt width increments = 1 inch (25.4 mm) nominal, starting from 3 inches (76.2 mm)
- Non-standard widths available in 1/2 inch (12.7 mm) increments starting at 3 inches (76.2 mm) upon request
- Material selection may affect belt width — please contact your local partner for actual dimensions

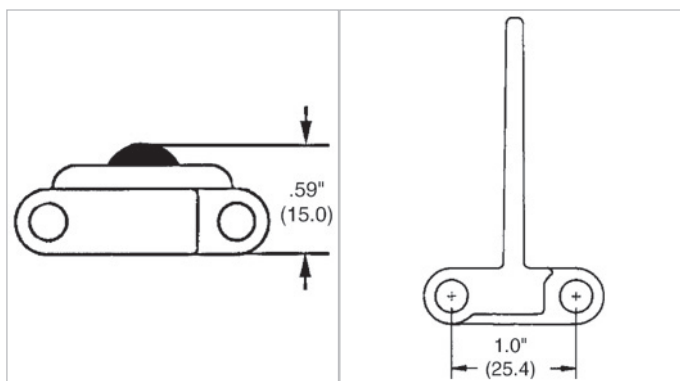


Belt data

Belt material		PP	POM	POM U
Rod material		PP		
Nominal tensile strength F'_N straight run	N/m lb/ft	7500 514	15000 1027	15000 1027
Temperature range	°C °F	5 - 105 40 - 220	5 - 93 40 - 200	5 - 93 40 - 200
Belt weight m_B	kg/m ² lb/sqft	4.8 0.99	7.4 1.52	7.4 1.52
Standard belt color		white	gray	green

Additional belt colors and materials available, abrasive resistant Nylon (Polyamide) and stainless steel rods available - contact your local partner.

Belt accessories



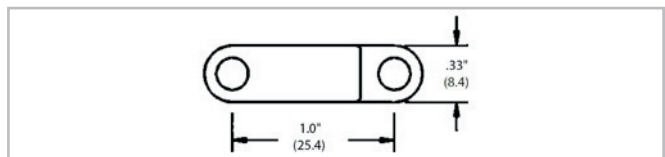
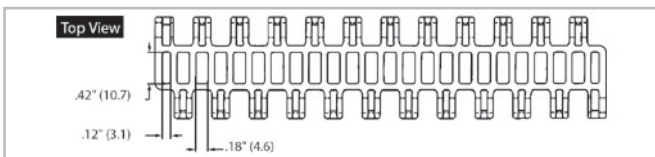
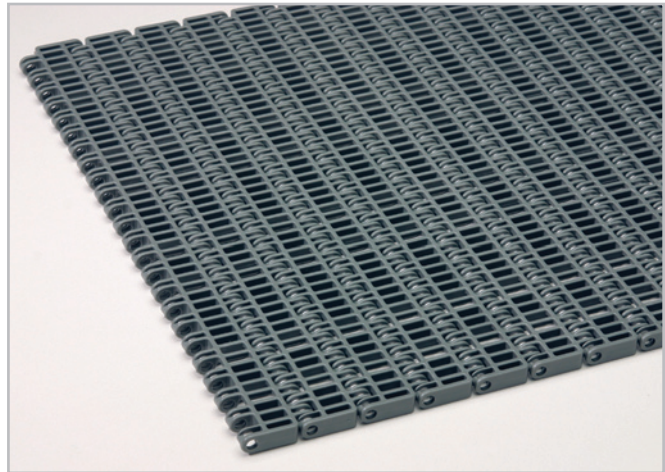
High friction flat top insert
Block top polyethylene modules only.

Flights
Standard flights are available in 1" and 2" heights.

KVP® Straight 1" Pitch Belting 208 35 (208 35% Open)

Description

- 1 inch pitch
- 35% open area
- Food approved materials
- Bi-directional
- Connecting rod diameter = 0.188 inch (4.8 mm)
- Standard belt width increments = 1 inch (25.4 mm) nominal, starting from 3 inches (76.2 mm)
- Non-standard widths available in 1/2 inch (12.7 mm) increments starting at 3 inches (76.2 mm) upon request
- Material selection may affect belt width — please contact your local partner for actual dimensions

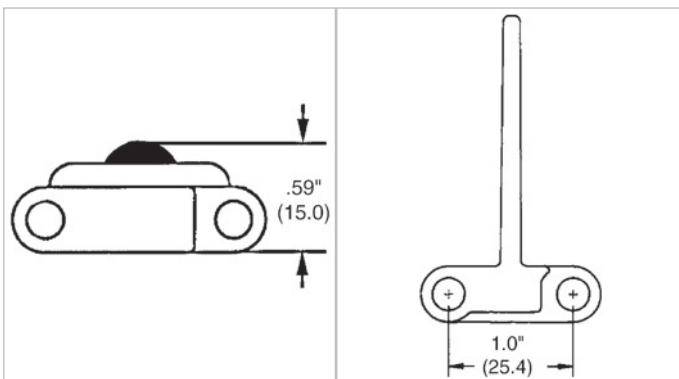


Belt data

Belt material		PP	PE	POM	POM U	POM +AS
Rod material		PP	PE	PP		
Nominal tensile strength F'_N straight run	N/m	7500	4000	15000	15000	7500
	lb/ft	514	274	1027	1027	514
Temperature range	°C	5 - 105	-70 - 65	5 - 93	5 - 93	5 - 93
	°F	40 - 220	-94 - 150	40 - 200	40 - 200	40 - 200
Belt weight m_B	kg/m ²	4.3	4.5	6.6	6.6	6.6
	lb/sqft	0.88	0.93	1.35	1.35	1.35
Standard belt color		gray/white	natural	gray	green	black

Additional belt colors and materials available, abrasive resistant Nylon (Polyamide) and stainless steel rods available - contact your local partner.

Belt accessories



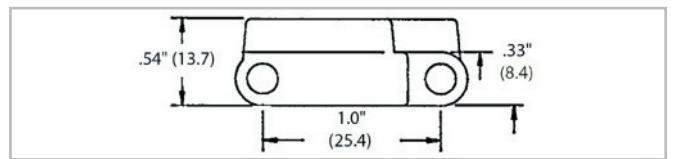
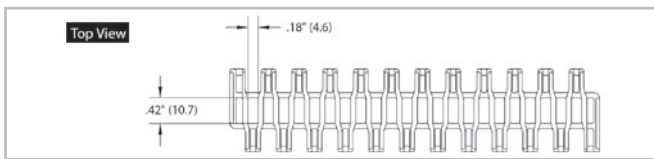
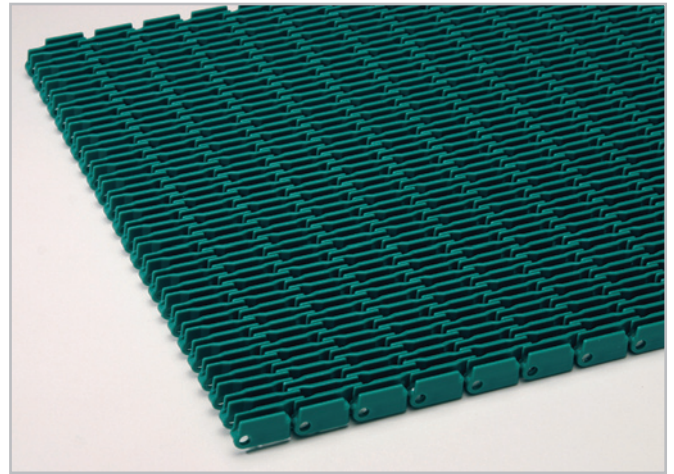
High friction flat top insert
Block top polyethylene modules only.

Flights
Standard flights are available in 1" and 2" heights.

KVP® Straight 1" Pitch Belting 208 RR (208 Raised Rib)

Description

- 1 inch pitch
- 35% open area
- Food approved materials
- Bi-directional
- Connecting rod diameter = 0.188 inch (4.8 mm)
- Standard belt width increments = 1 inch (25.4 mm) nominal, starting from 3 inches (76.2 mm)
- Non-standard widths available in 1/2 inch (12.7 mm) increments starting at 3 inches (76.2 mm) upon request
- Material selection may affect belt width — please contact your local partner for actual dimensions

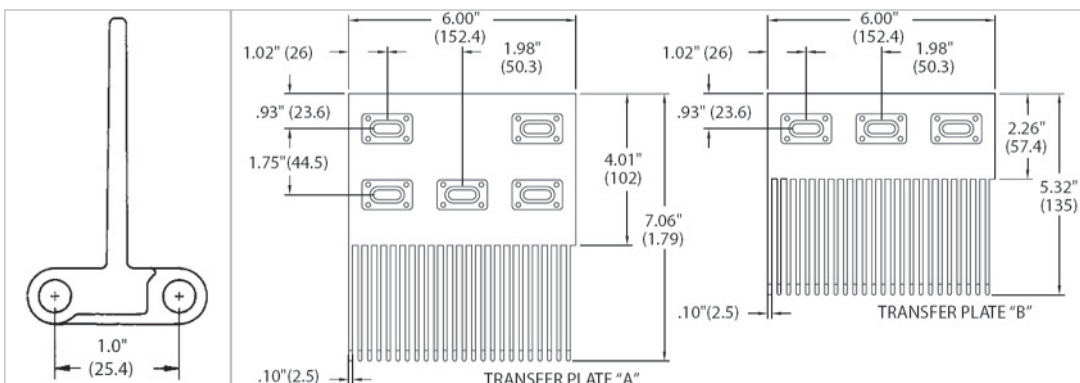


Belt data

Belt material		PP	POM	POM U
Rod material		PP		
Nominal tensile strength F'_N straight run	N/m	7500	15000	15000
	lb/ft	514	1027	1027
Temperature range	°C	5 - 105	5 - 93	5 - 93
	°F	40 - 220	40 - 200	40 - 200
Belt weight m_B	kg/m ²	5.9	9.0	9.0
	lb/sqft	1.21	1.84	1.84
Standard belt color		gray	gray	green

Additional belt colors and materials available, abrasive resistant Nylon (Polyamide) and stainless steel rods available - contact your local partner.

Belt accessories



Flights
Standard flights are available in 1" and 2" heights.

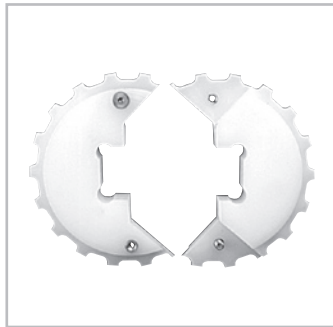
Transfer plates

KVP® Sprockets – 1" Pitch Belting

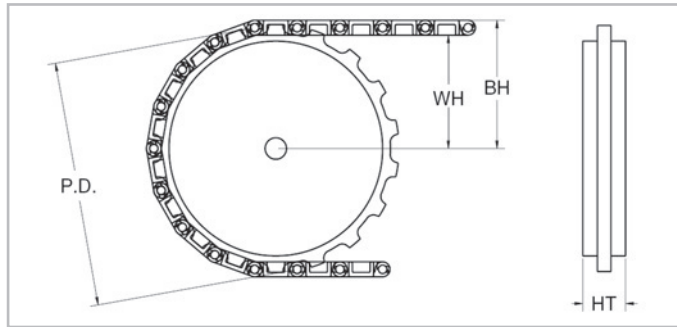
208 CL, 208 35, 208 RR



Machined sprocket



Split sprocket



Sprocket part number	Number of teeth	(PD) Nominal pitch diameter		(WH) Shaft center to top of wearstrip		(BH) Shaft center to top of belt		(HT) Hub thickness	
		inch	mm	inch	mm	inch	mm	inch	mm
SB208PEU6	6	2.0	51	0.83	21	1.18	30	1.0	25
SB208PEU9	9	2.92	74	1.29	33	1.64	42	1.0	25
SB208PEU10	10	3.24	82	1.45	37	1.80	46	1.0	25
SB208PEU12	12	3.86	98	1.76	45	2.20	56	1.0	25
SB208PEU18	18	5.76	146	2.71	69	3.06	78	1.0	25
STB208PEU18	18	5.76	146	2.71	69	3.06	78	1.0	25
SB208PEU19	19	6.08	154	2.87	73	3.22	82	1.0	25
STB208PEU19	19	6.08	154	2.87	73	3.22	82	1.0	25
SB208PEU20	20	6.39	162	3.03	77	3.38	86	1.0	25
STB208PEU20	20	6.39	162	3.03	77	3.38	86	1.0	25

SB = solid body, STB = split body

Split sprockets and other tooth sizes are available. Standard machined sprocket material is UHMW, Nylon and Urethane are available. Please contact your local partner.

Sprocket part number	Available bore size																		
	3/4"	25 mm	25 mm sq.	1"	1" sq.	30 mm	1-1/4"	1-7/16"	1-1/2"	1-1/2" sq.	40 mm	40 mm sq.	1-15/16"	50 mm	2" sq.	60 mm	60 mm sq.	2-1/2" sq.	
SB208PEU6	✓	-	-	-	-	-	-	-	-	-	-	-	-	-	-	-	-	-	-
SB208PEU9	✓	✓	✓	✓	✓	✓	✓	✓	✓	-	-	-	-	-	-	-	-	-	-
SB208PEU10	✓	✓	✓	✓	✓	✓	✓	✓	✓	✓	✓	✓	✓	✓	-	-	-	-	-
SB208PEU12	✓	✓	✓	✓	✓	✓	✓	✓	✓	✓	✓	✓	✓	✓	-	-	-	-	-
SB208PEU18	✓	✓	✓	✓	✓	✓	✓	✓	✓	✓	✓	✓	✓	✓	✓	✓	✓	✓	✓
STB208PEU18	✓	✓	✓	✓	✓	✓	✓	✓	✓	✓	✓	✓	-	-	-	-	-	-	-
SB208PEU19	✓	✓	✓	✓	✓	✓	✓	✓	✓	✓	✓	✓	✓	✓	✓	✓	✓	✓	✓
STB208PEU19	✓	✓	✓	✓	✓	✓	✓	✓	✓	✓	✓	-	-	-	-	-	-	-	-
SB208PEU20	✓	✓	✓	✓	✓	✓	✓	✓	✓	✓	✓	✓	✓	✓	✓	✓	✓	✓	✓
STB208PEU20	✓	✓	✓	✓	✓	✓	✓	✓	✓	✓	✓	✓	-	-	-	-	-	-	-

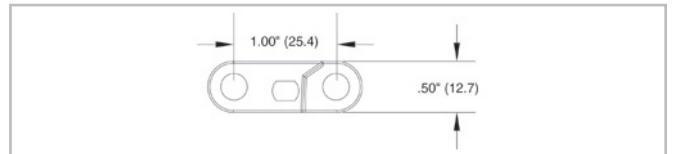
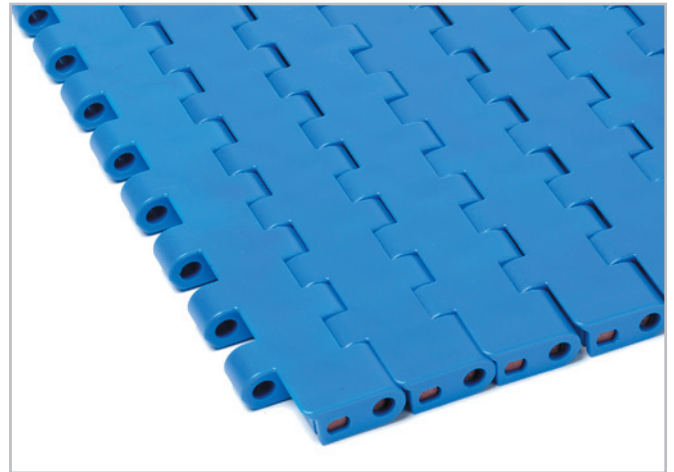
SB = solid body, STB = split body

All bore sizes are round bore unless designated square (sq.)

KVP® Straight 1" Pitch Belting MB610 (Monster Belt)

Description

- 1 inch pitch
- Solid top surface
- Bi-directional
- Connecting rod diameter = 0.250 inch (6.4 mm)
- Standard belt width increments = 1 inch (25.4 mm) nominal starting from 6 inches (152.4 mm)
- Material selection may affect belt width — please contact your local partner for actual dimensions



Belt data

Belt material		POM
Rod material		PA
Nominal tensile strength F'_N straight run	N/m lb/ft	36485 2500
Temperature range	°C °F	-40 - 93 -40 - 200
Belt weight m_B	kg/m ² lb/sqft	13.4 2.75
Standard belt color		blue

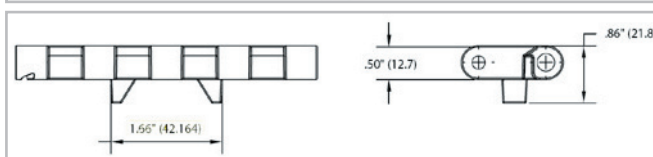
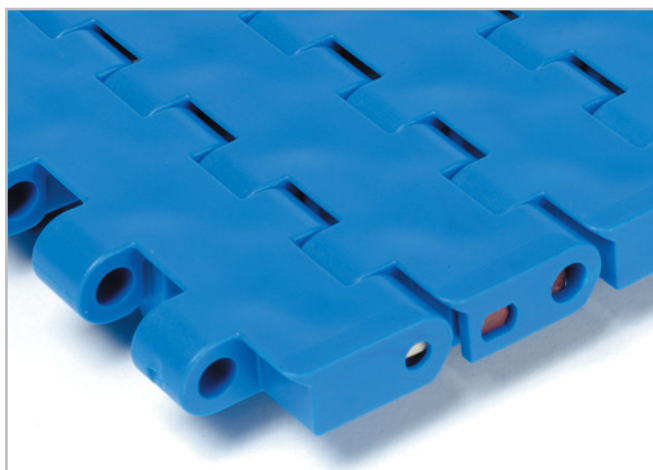
Temperature range

Module material	Rod material	Temperature range	
POM	PA	-40 °C to +93 °C	-40 °F to +200 °F

KVP® Straight 1" Pitch Belting MB610 MTW (Monster Belt Mold to Width)

Description

- 1 inch pitch
- Solid top surface
- Bi-directional
- Connecting rod diameter = 0.250 inch (6.4 mm)
- Available with and without tabs
- With tabs runs in 820 chain tracks/wearstrip
- Material selection may affect belt width — please contact your local partner for actual dimensions

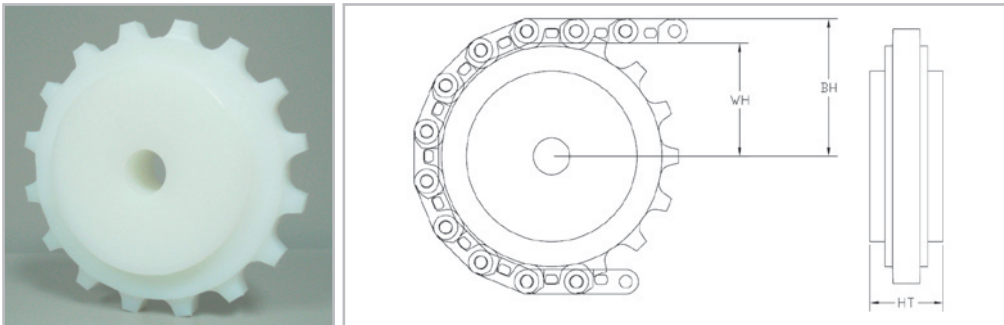


Belt data

	Nominal belt width b_0		Belt material	Rod material	Nominal tensile strength F_N straight run		Belt weight m_B	
	mm	inch			N	lbf	kg/m	lb/ft
MB610 MTW 325	82.6	3.25	POM	PA	3114	700	6.20	0.86
MB610 MTW 450	114.3	4.5	POM	PA	3781	850	8.7	1.20
MB610 MTW 600	152.4	6.0	POM	PA	5338	1200	11.55	1.60
MB610 MTW 750	190.5	7.5	POM	PA	6895	1550	14.43	2.00

Temperature range

Module material	Rod material	Temperature range	
POM	PA	-40 °C to +93 °C	-40 °F to +200 °F



Machined sprocket

Sprocket part number	Number of teeth	(PD) Nominal pitch diameter		(WH) Shaft center to top of wearstrip		(BH) Shaft center to top of belt		(HT) Hub thickness	
		inch	mm	inch	mm	inch	mm	inch	mm
MB71012	12	3.86	98	1.68	43	2.18	55	1.5	38
MB71016	16	5.12	130	2.31	59	2.81	71	1.5	38
MB71018	18	5.76	146	2.63	67	3.13	80	1.5	38
MB71021	21	6.71	170	3.10	79	3.60	91	1.5	38
MB71031	31	9.89	251	4.69	119	5.19	132	1.5	38

Split sprockets and other tooth sizes are available. Standard machined sprocket material is UHMW, Nylon and Urethane are available. Please contact your local partner.

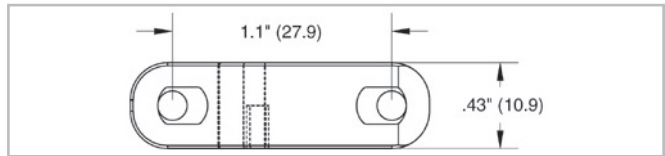
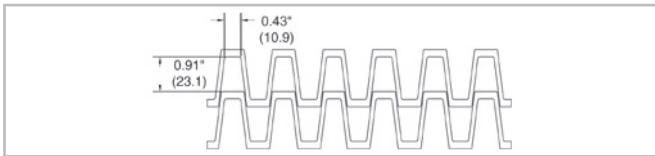
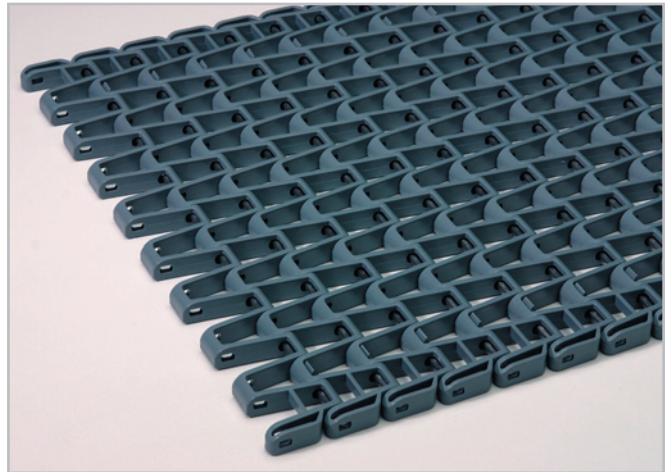
Sprocket part number	Available bore size															
	25 mm	1"	1" sq.	30 mm	1-1/4"	1-7/16"	1-1/2"	1-1/2" sq.	40 mm	40 mm sq.	1-15/16"	50 mm	2" sq.	60 mm	60 mm sq.	2-1/2" sq.
MB71012	✓	✓	✓	✓	✓	✓	✓	✓	✓	✓	✓	-	-	-	-	-
MB71016	✓	✓	✓	✓	✓	✓	✓	✓	✓	✓	✓	✓	-	-	-	-
MB71018	✓	✓	✓	✓	✓	✓	✓	✓	✓	✓	✓	✓	-	-	-	-
MB71021	✓	✓	✓	✓	✓	✓	✓	✓	✓	✓	✓	✓	✓	-	-	-
MB71031	✓	✓	✓	✓	✓	✓	✓	✓	✓	✓	✓	✓	✓	✓	✓	✓

All bore sizes are round bore unless designated square (sq.).

KVP® Straight 1.1" Pitch Belting F51 (1/2" x 1" Flat Wire)

Description

- 1.1 inch pitch
- 69% open area — 1/2" x 1" (12.7 mm x 25.4 mm)
- Food approved materials
- Connecting rod diameter = 0.145 inch (3.7 mm)
- Standard belt width increments = 1.33 inches (33.8 mm) nominal, starting from 4 inches (101.6 mm)
- Material selection may affect belt width — please contact your local partner for actual dimensions
- Bi-directional — contact your local partner

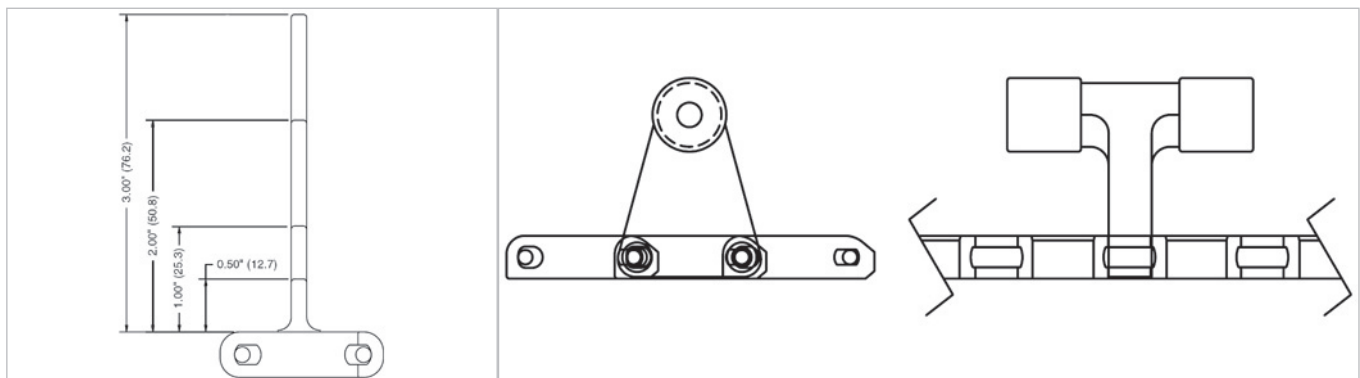


Belt data

Belt material		PP	PP +GR	POM	Nylon (PA 612)	Nylon (PA +GF)
Rod material			PP		Nylon (PA)	Stainless Steel
Nominal tensile strength F'_N straight run	N/m lb/ft	4378 300	4378 300	8756 600	7297 500	8766 600
Temperature range	°C °F	5 - 105 40 - 220	5 - 105 40 - 220	5 - 93 40 - 200	-40 - 118 -40 - 245	-40 - 145 -40 - 293
Temperature maximum (short-term)	°C °F					175 347
Belt weight m_B	kg/m ² lb/sqft	3.0 0.62	3.0 0.62	4.4 0.90	3.7 0.76	4.5 0.93
Standard belt color		gray/white	gray	blue	beige	red

Additional belt colors and materials available, abrasive resistant Nylon (Polyamide) and stainless steel rods available - contact your local partner.

Belt accessories



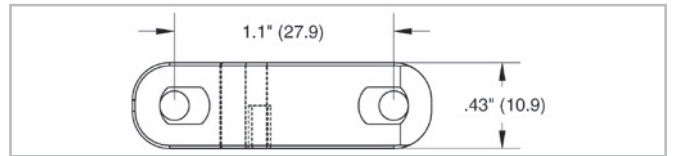
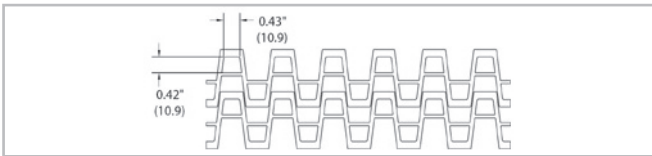
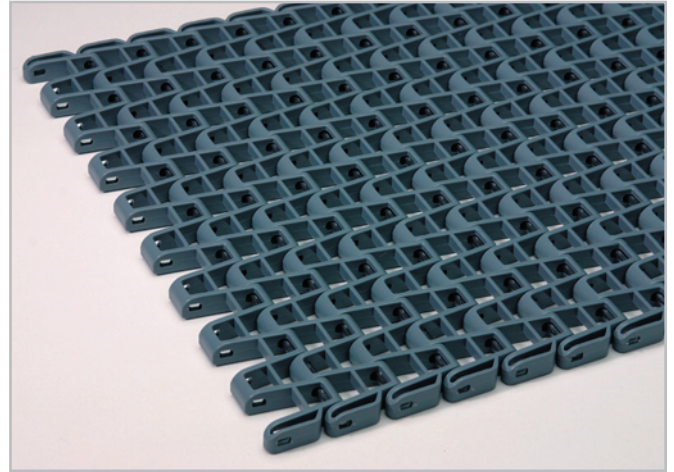
Flights
Standard flights are available in 1/2", 1", 2" and 3" heights.

Hanging roller assembly

KVP® Straight 1.1" Pitch Belting F52 (1/2" x 1/2" Flat Wire)

Description

- 1.1 inch pitch
- 65% open area — 1/2" x 1/2" (12.7 mm x 12.7 mm)
- Food approved materials
- Connecting rod diameter = 0.145 inch (3.7 mm)
- Standard belt width increments = 1.33 inches (33.8 mm) nominal, starting from 4 inches (101.6 mm)
- Material selection may affect belt width — please contact your local partner for actual dimensions
- Bi-directional — contact your local partner

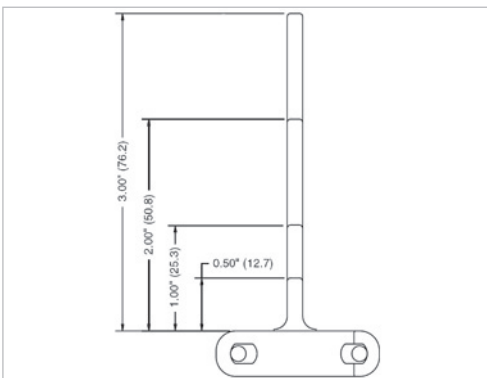


Belt data

Belt material		PP	PE	POM	Nylon (PA 612)	Nylon (PA +GF)	Nylon (PA +HN)
Rod material		PP			Nylon (PA)	Stainless Steel	
Nominal tensile strength F_N^1 straight run	N/m	4378	3502	8756	7297	8756	8756
	lb/ft	300	240	600	500	600	600
Temperature range	°C	5 - 105	5 - 65	5 - 93	-40 - 118	-40 - 145	-40 - 170
	°F	40 - 220	40 - 150	40 - 200	-40 - 245	-40 - 293	-40 - 338
Temperature maximum (short-term)	°C					175	200
	°F					347	392
Belt weight m_B	kg/m ²	3.0	2.4	4.7	3.9	7.7	7.7
	lb/sqft	0.62	0.49	0.96	0.79	1.57	1.57
Standard belt color		gray/white	white	blue	beige	red/brown	maroon

Additional belt colors and materials available, abrasive resistant Nylon (Polyamide) and stainless steel rods available - contact your local partner.

Belt accessories



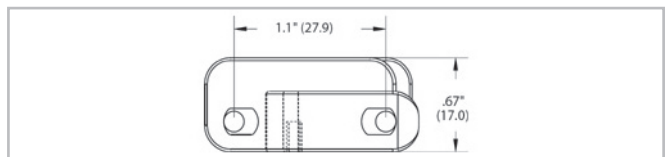
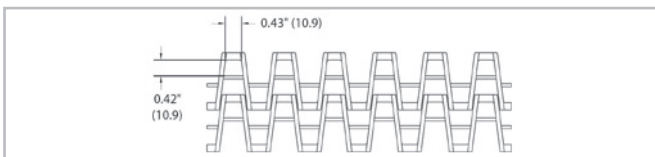
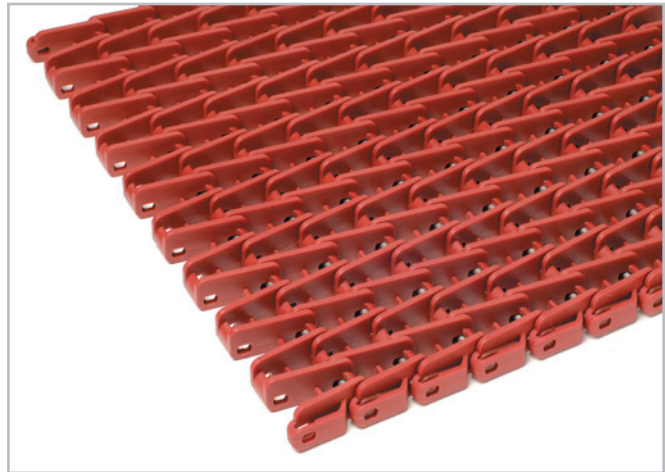
Flights

Standard flights are available in 1/2", 1", 2", and 3" heights.

KVP® Straight 1.1" Pitch Belting F53 (1/2" x 1/2" Raised Rib Flat Wire)

Description

- 1.1 inch pitch
- 69% open area — 1/2" x 1/2" (12.7 mm x 12.7 mm) with reduced product contact area
- Food approved materials
- Connecting rod diameter = 0.145 inch (3.7 mm)
- Standard belt width increments = 1.33 inches (33.8 mm) nominal, starting from 4 inches (101.6 mm)
- Material selection may affect belt width — please contact your local partner for actual dimensions
- Bi-directional — contact your local partner



Belt data

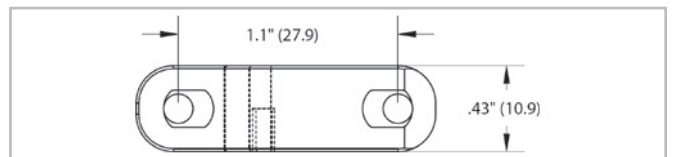
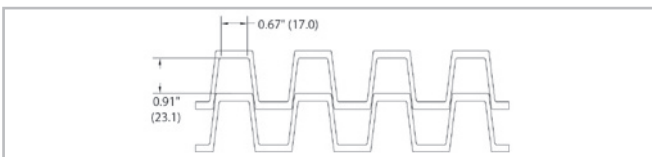
Belt material		Nylon (PA +GF)
Rod material		Stainless Steel
Nominal tensile strength F'_N straight run	N/m lb/ft	8756 600
Temperature range	°C °F	-40 - 145 -40 - 293
Temperature maximum (short-term)	°C °F	175 347
Belt weight m_B	kg/m ² lb/sqft	9.1 1.87
Standard belt color		red

Additional belt colors and materials available, abrasive resistant Nylon (Polyamide) rods available – contact your local partner.

KVP® Straight 1.1" Pitch Belting F54 (1" x 1" Flat Wire)

Description

- 1.1 inch pitch
- 65% open area — 1" x 1" (25.4 mm x 25.4 mm)
- Food approved materials
- Connecting rod diameter = 0.145 inch (3.7 mm)
- Standard belt width increments = 2.01 inches (51.1 mm) nominal, starting from 12 inches (304.8 mm)
- Material selection may affect belt width — please contact your local partner for actual dimensions
- Bi-directional — contact your local partner

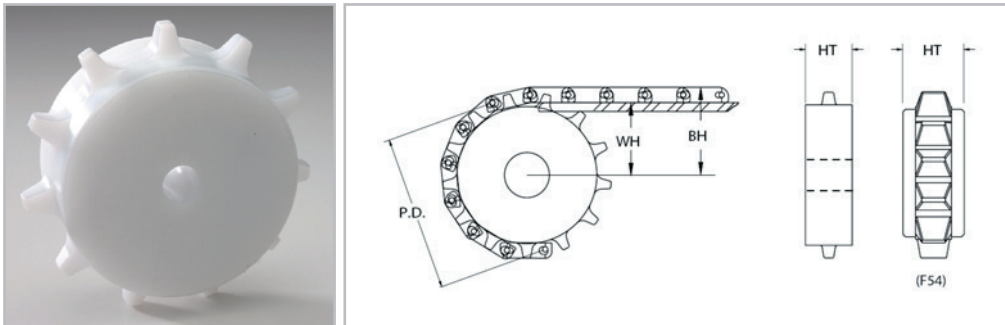


Belt data

Belt material		PP
Rod material		Stainless Steel
Nominal tensile strength F_N straight run	N/m lb/ft	4378 300
Temperature range	°C °F	5 - 105 40 - 220
Belt weight m_B	kg/m ² lb/sqft	3.5 0.71
Standard belt color		white

Additional belt colors and materials available, abrasive resistant Nylon (Polyamide) rods available – contact your local partner.

KVP® Sprockets – 1.1" Pitch Belting F51, F52, F53, F54



Machined sprocket

Sprocket part number F51, F52, F53	Sprocket part number F54	Number of teeth	(PD) Nominal pitch diameter		(WH) Shaft center to top of wearstrip		(BH) Shaft center to top of belt		Raised Rib Flat Wire (BH) Shaft center to top of belt rib		(HT) Hub thickness	
			inch	mm	inch	mm	inch	mm	inch	mm	inch	mm
571107	57110754	7	2.50	63	1.03	26	1.47	37	1.70	47	1.5	38
571108	57110854	8	2.82	72	1.19	30	1.63	41	1.86	51	1.5	38
571109	57110954	9	3.16	80	1.36	35	1.80	46	2.03	52	1.5	38
571111	57111154	11	3.83	97	1.70	43	2.13	54	2.37	61	1.5	38
571111M	NA	11	3.83	97	1.70	43	2.13	54	2.37	61	1.5	38
571113	57111354	13	4.51	115	2.04	52	2.47	63	2.71	68	1.5	38
571115	57111554	15	5.20	132	2.38	60	2.82	72	3.05	77	1.5	38
571117	57111754	17	5.88	149	2.72	69	3.16	80	3.39	86	1.5	38
571118	57111854	18	6.22	158	2.89	73	3.33	85	3.56	90	1.5	38
571119	57111954	19	6.47	164	3.02	77	3.45	88	3.69	94	1.5	38
571121	57112154	21	7.25	184	3.41	87	3.84	98	4.08	104	1.5	38
571123	57112354	23	7.93	201	3.75	95	4.18	106	4.42	112	1.5	38
571127	57112754	27	9.30	236	4.43	113	4.87	124	5.10	130	1.5	38
571129	57112954	29	10.00	254	4.78	121	5.22	133	5.45	139	1.5	38

Split sprockets and other tooth sizes are available. Standard machined sprocket material is UHMW, Nylon and Urethane are available. Please contact your local partner. Dimensions vary slightly for F53 applications.

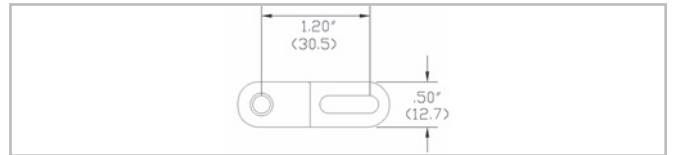
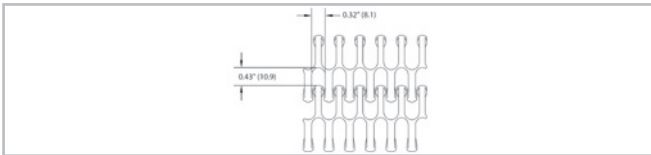
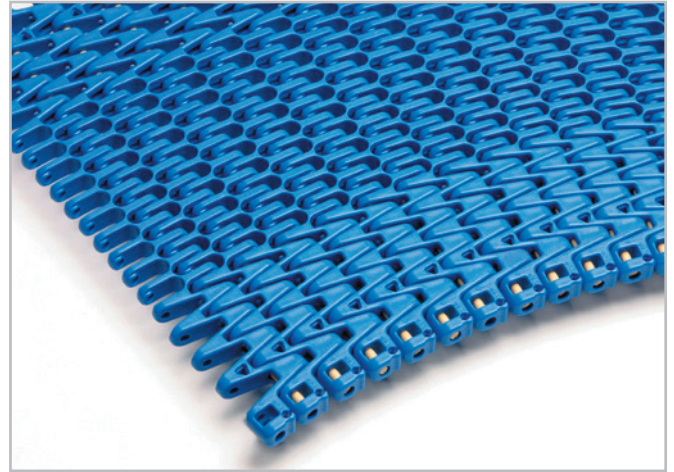
Sprocket part number F51, F52, F53	Sprocket part number F54	Available bore size															
		25 mm	1"	1" sq.	30 mm	1-1/4"	1-7/16"	1-1/2"	1-1/2" sq.	40 mm	40 mm sq.	1-15/16"	50 mm	2" sq.	60 mm	60 mm sq.	2-1/2" sq.
571107	57110754	✓	✓	✓	✓	-	-	-	-	-	-	-	-	-	-	-	-
571108	57110854	✓	✓	✓	✓	-	-	-	-	-	-	-	-	-	-	-	-
571109	57110954	✓	✓	✓	✓	✓	✓	✓	✓	-	-	-	-	-	-	-	-
571111	57111154	✓	✓	✓	✓	✓	✓	✓	✓	✓	✓	✓	✓	✓	-	-	-
571111M	NA	-	✓	-	-	-	-	-	✓	-	-	-	-	-	-	-	-
571113	57111354	✓	✓	✓	✓	✓	✓	✓	✓	✓	✓	✓	✓	✓	✓	-	-
571115	57111554	✓	✓	✓	✓	✓	✓	✓	✓	✓	✓	✓	✓	✓	✓	-	-
571117	57111754	✓	✓	✓	✓	✓	✓	✓	✓	✓	✓	✓	✓	✓	✓	✓	✓
571118	57111854	✓	✓	✓	✓	✓	✓	✓	✓	✓	✓	✓	✓	✓	✓	✓	✓
571119	57111954	✓	✓	✓	✓	✓	✓	✓	✓	✓	✓	✓	✓	✓	✓	✓	✓
571121	57112154	-	-	-	✓	✓	✓	✓	✓	✓	✓	✓	✓	✓	✓	✓	✓
571123	57112354	-	-	-	✓	✓	✓	✓	✓	✓	✓	✓	✓	✓	✓	✓	✓
571127	57112754	-	-	-	✓	✓	✓	✓	✓	✓	✓	✓	✓	✓	✓	✓	✓
571129	57112954	-	-	-	✓	✓	✓	✓	✓	✓	✓	✓	✓	✓	✓	✓	✓

All bore sizes are round bore unless designated square (sq.).

KVP® Radius 1-1/5" Pitch Belting PR612 1.6

Description

- 1-1/5 inch pitch
- Belt turning radius equals 1.3 times the nominal belt width up to 12 inches (304.8 mm)
- Belt turning radius equals 1.4 times the nominal belt width up to 20 inches (508 mm)
- Belt turning radius equals 1.6 times the nominal belt width over 20 inches (508 mm)
- 63% open area
- Food approved materials
- Connecting rod diameter = 0.188 inch (4.8 mm)
- Standard belt width increments = 1 inch (25.4 mm) nominal, starting from 12 inches (304.8 mm)
- Belt is available with and without tabs
- Material selection may affect belt width — please contact your local partner for actual dimensions



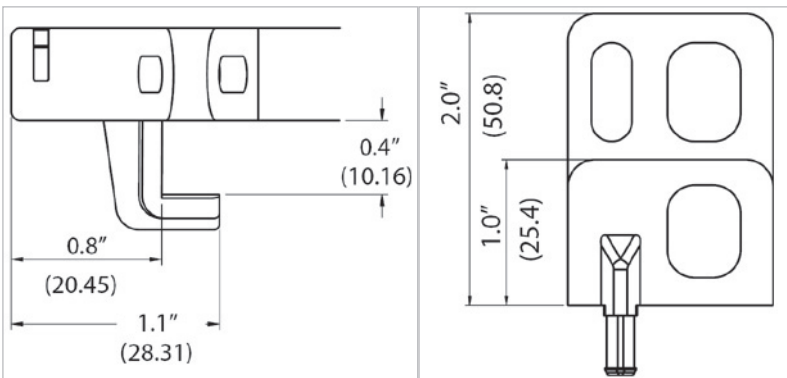
Belt data

Belt material		POM	
Rod material		PA	
Nominal tensile strength F_N in curve ⁽¹⁾	N <i>lbf</i>	890 200	1112 250
Temperature range	°C °F	-40 - 93 -40 - 200	-40 - 93 -40 - 200
Belt weight m_b	kg/m ² <i>lb/sqft</i>	7.4 1.51	7.4 1.51
Standard belt color		blue/gray	blue/gray

Note: The nominal tensile strength 890 N (200 lbf) refers to a belt with up to 24"; 1112 N (250 lbf) for belt width wider than 24".

Additional belt colors and materials available, abrasive resistant Nylon (Polyamide) and stainless steel rods available - contact your local partner.

Belt accessories



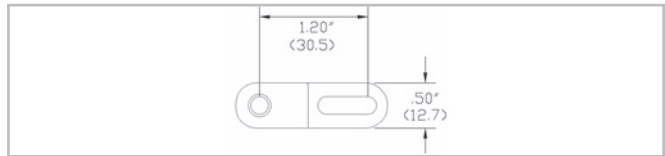
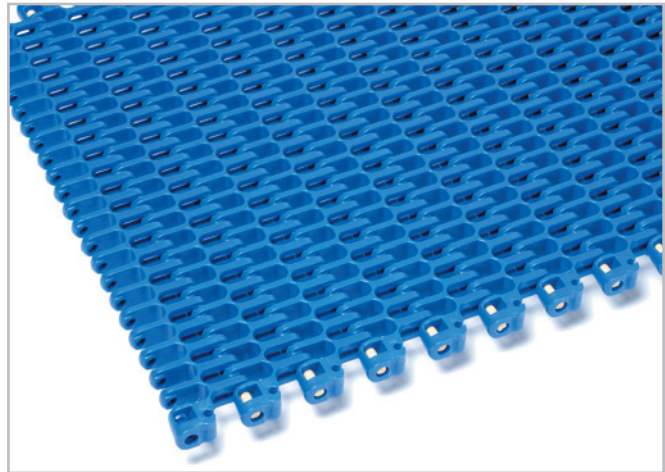
Hold down tabs

Sideplates

Available in 1", 2" and 4" heights.

Description

- 1-1/5 inch pitch
- Belt turning radius equals 2.2 times the nominal belt width
- 63% open area
- Food approved materials
- Connecting rod diameter = 0.188 inch (4.8 mm)
- Standard belt width increments = 1 inch (25.4 mm) nominal, starting from 12 inches (304.8 mm)
- Belt is available with and without tabs
- Material selection may affect belt width — please contact your local partner for actual dimensions



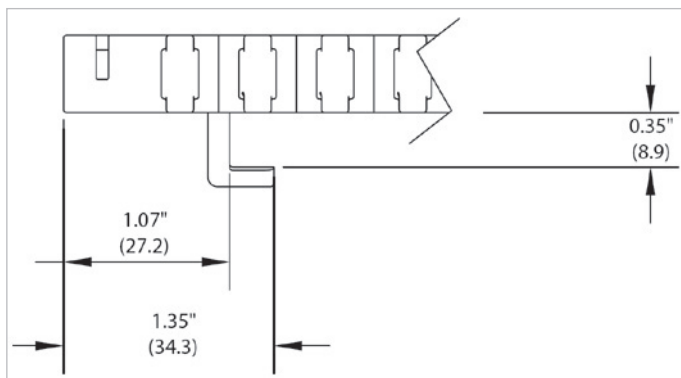
Belt data

Belt material		POM	
Rod material		Nylon (PA)	
Nominal tensile strength F_N in curve ⁽¹⁾	N lbf	890 200	1112 250
Temperature range	°C °F	-40 - 93 -40 - 200	-40 - 93 -40 - 200
Belt weight m_B	kg/m ² lb/sqft	7.4 1.51	7.4 1.51
Standard belt color		blue/gray	blue/gray

Note: The nominal tensile strength 890 N (200 lbf) refers to a belt with up to 24"; 1112 N (250 lbf) for belt width wider than 24".

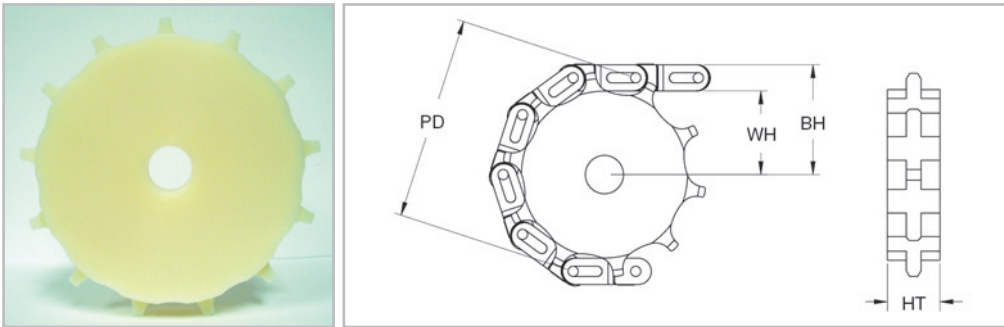
Additional belt colors and materials available, abrasive resistant Nylon (Polyamide) and stainless steel rods available - contact your local partner.

Belt accessories



Hold down tabs

KVP® Sprockets – 1 1/5" Pitch Belting PR612 1.6, PR612 2.2



Machined sprocket

Sprocket part number	Number of teeth	(PD) Nominal pitch diameter		(WH) Shaft center to top of wearstrip		(BH) Shaft center to top of belt		(HT) Hub thickness	
		inch	mm	inch	mm	inch	mm	inch	mm
PR71207*	7	2.8	70	1.15	29	1.65	42	1.0	25
PR71210	10	3.9	99	1.70	43	2.20	56	1.0	25
PR71213	13	5.0	127	2.25	57	2.75	70	1.0	25
PR71217	17	6.5	166	3.00	76	3.5	89	1.0	25

Split sprockets and other tooth sizes are available. Standard machined sprocket material is Nylon, UHMW and Urethane are available. Please contact your local partner.

* Cannot be used with belts with hold down tabs.

End rollers required at both ends of conveyor shafts to support belt edges where no sprocket paths exist for all PD612 1.6 conveyor belt applications.

Roller part number	Number of teeth	Nominal diameter		(HT) Hub thickness	
		inch	mm	inch	mm
PR71207ROL*	7	1.99	51	1.0	25
PR71210ROL	10	3.19	81	1.0	25
PR71213ROL	13	4.37	111	1.0	25
PR71217ROL	17	5.92	150	1.0	25

* Cannot be used with belts with hold down tabs.

Sprocket part number	Available bore size															
	25 mm	1"	1" sq.	30 mm	1-1/4"	1-7/16"	1-1/2"	1-1/2" sq.	40 mm	40 mm sq.	1-15/16"	50 mm	2"	60 mm	60 mm sq.	2-1/2" sq.
PR71207*	✓	✓	✓	✓	✓	-	-	-	-	-	-	-	-	-	-	-
PR71210	✓	✓	✓	✓	✓	✓	✓	✓	✓	✓	✓	✓	-	-	-	-
PR71213	✓	✓	✓	✓	✓	✓	✓	✓	✓	✓	✓	✓	✓	✓	-	-
PR71217	✓	✓	✓	✓	✓	✓	✓	✓	✓	✓	✓	✓	✓	✓	✓	✓

All bore sizes are round bore unless designated square (sq.).

* Cannot be used with belts with hold down tabs.

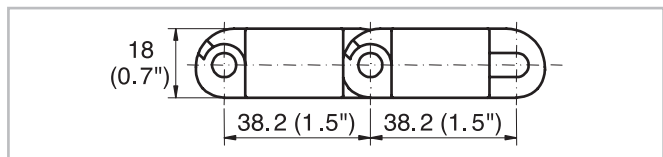
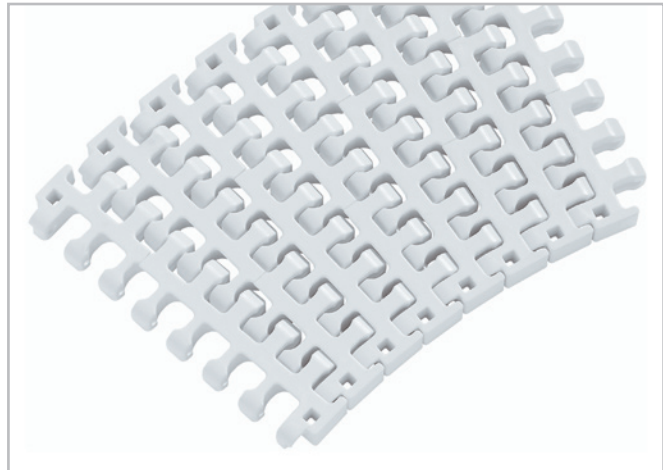
HabasitLINK® Radius 1-1/2" Pitch Belting M3840 Radius Flush Grid 1.5"

Description

- For radius and straight conveying (collapse factor 2.2)
- 31% open area; 50% open contact area; largest opening 7x19 mm (0.27"x0.75")
- Excellent for cooling and draining
- Open hinge
- Easy to clean
- Food approved materials
- Rod diameter 6 mm (0.24")

Available accessories

- Flights
- Sideguards
- Hold down devices
- GripTop modules
- Lane divider



Belt data

Belt material		PP		POM	
Rod material		POM		PA	
Nominal tensile strength F'_N straight run	N/m lb/ft	23000 1575	23000 1575	32000 2192	
Nominal tensile strength F_N in curve ⁽¹⁾	N lbf	2000 450	2000 450	2400 540	
Temperature range	°C °F	5 - 93 40 - 200	5 - 105 40 - 220	-40 - 93 -40 - 200	
Belt weight m_B	kg/m ² lb/sqft	8.0 1.64	8.0 1.64	11.8 2.42	

⁽¹⁾ For $b_0 > 450$ mm (18") higher values admissible. Refer to LINK-SeleCalc

Diameter of idling rollers (minimum)		Diameter of support rollers (minimum)		Diameter for gravity take-up and center drive rollers (minimum)		Backbending radius for elevators without sideguards or hold down devices (minimum)		Backbending radius for elevators with sideguards or hold down devices (minimum)	
mm	inch	mm	inch	mm	inch	mm	inch	mm	inch
60	2.4	100	4	150	6	150	6	250	10

Use the largest possible backbending radius for elevators with side guards or hold down devices.

Standard range of belt widths b_0 and collapse factor Q ($R_{min} = Q \times b_0$)

Belt width mm (nom.)	200	250	300	350	400	450	500	550	600	650	700	750	800	850
Belt width inch (nom.)	8	10	12	14	16	18	20	22	24	26	28	30	32	34
Coll.fact. Q	1.85	1.92	1.96	1.99	2.02	2.03	2.05	2.06	2.07	2.08	2.09	2.09	2.10	2.10
Belt width mm (nom.)	900	950	1000	1050	1100	1150	1200	etc.						
Belt width inch (nom.)	36	38	40	42	44	46	48	etc.						
Coll.fact. Q	2.11	2.11	2.11	2.12	2.12	2.12	2.13	etc.						

Belt widths larger than 1200 mm (48") are not recommended; *please contact Habasit*.
Real belt widths are in most cases 0.1% to 0.3% smaller.

Standard belt widths in increments of 50 mm (2"). Non-standard widths are offered in increments of 25 mm (1"). Smallest possible width 175 mm (7").

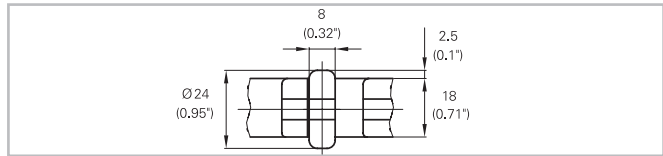
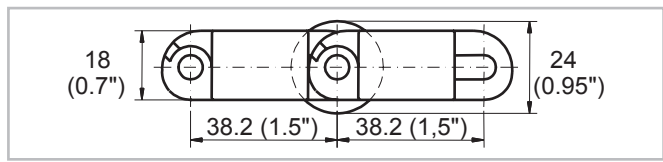
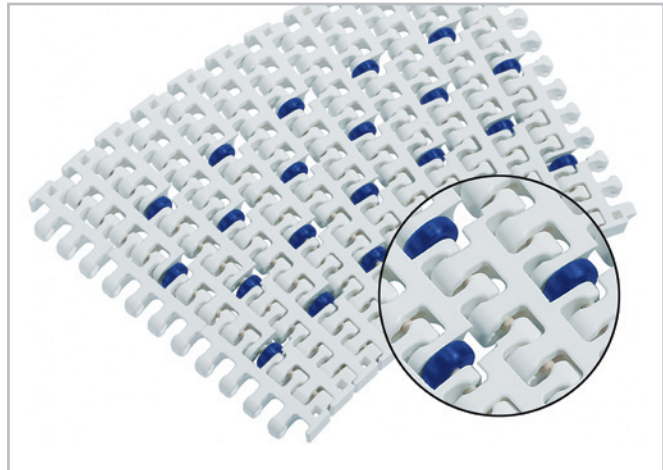
For detailed material properties refer to pages 276 - 281 or contact your Habasit representative.

The nominal tensile strength is valid for 23 °C (73 °F). The admissible tensile force depends on the operating temperature near the drive sprockets. Within the temperature range allowed, the admissible tensile force may vary from 100% to 20% of the nominal tensile strength. For detailed information and correct calculation of effective tensile force refer to the Calculation Guide in the HabasitLINK® Engineering Guidelines.

HabasitLINK® Radius 1-1/2" Pitch Belting M3840 Roller Top 1.5"

Description

- For radius and straight conveying
- 31% open area; largest opening 7x19 mm (0.27"x0.75")
- Roller lateral spacing see table belt data
- Free edge 60 mm (2.4")
- Rollers row spacing 38.2 mm (1.5")
- For low back pressure, wearstrips placed between rollers
- For product driven application wearstrips are placed directly under the rollers
- Excellent for cooling and draining
- Open hinge
- Food approved materials
- Rod diameter 6 mm (0.24")



Belt data

Belt material		POM
Rod material		PA
Roller material		POM
Roller lateral spacing per row	mm / inch	100 / 4
Roller offset next row	mm / inch	50 / 2
Roller dimension diameter / width	mm / inch	Ø 24 / 8 Ø 0.94 / 0.31
Nominal tensile strength F'_N straight run	N/m / lb/ft	25000 1712
Nominal tensile strength F_N in curve ⁽¹⁾	N / lbf	2000 450
Temperature range	°C / °F	-40 - 93 -40 - 200
Belt weight m_B	kg/m ² / lb/sqft	11.8 2.42

⁽¹⁾ For $b_0 > 450$ mm (18") higher values admissible. Refer to LINK-SeleCalc

Diameter of idling rollers (minimum)		Diameter of support rollers (minimum)		Diameter for gravity take-up and center drive rollers (minimum)		Backbending radius for elevators without sideguards or hold down devices (minimum)		Backbending radius for elevators with sideguards or hold down devices (minimum)	
mm	inch	mm	inch	mm	inch	mm	inch	mm	inch
60	2.4	100	4	150	6	150	6	250	10

Use the largest possible backbending radius for elevators with side guards or hold down devices.

Standard range of belt widths b_0 , free edge and collapse factor Q ($R_{min} = Q \times b_0$)

Belt width mm (nom.)	250	300	350	400	450	500	550	600	650	700	750	800	850	etc.
Belt width inch (nom.)	10	12	14	16	18	20	22	24	26	28	30	32	34	etc.
Coll. factor Q	1.98	2.12	2.22	2.30	2.36	2.41	2.44	2.48	2.50	2.53	2.55	2.56	2.58	etc.
Free edge mm (nom.)	64/77	64/77	64/77	64/77	64/77	64/77	64/77	64/77	64/77	64/77	64/77	64/77	64/77	etc.
Free edge inch	2.5/3	2.5/3	2.5/3	2.5/3	2.5/3	2.5/3	2.5/3	2.5/3	2.5/3	2.5/3	2.5/3	2.5/3	2.5/3	etc.
Sprocket offset mm	18.8	-6.3	18.8	-6.3	18.8	-6.3	18.8	-6.3	18.8	-6.3	18.8	-6.3	18.8	etc.
Sprocket offset inch	0.7	-0.3	0.7	-0.3	0.7	-0.3	0.7	-0.3	0.7	-0.3	0.7	-0.3	0.7	etc.
Sprockets	4	5	6	7	8	9	10	11	12	13	14	15	16	etc.
Rollers (2 rows)	3	4	5	6	7	8	9	10	11	12	13	14	15	etc.

Real belt widths are in most cases 0.1% to 0.3% smaller.

Standard belt widths in increments of 50 mm (2"). Smallest possible width 250 mm (9.84").

For detailed material properties refer to pages 276 - 281 or contact your Habasit representative.

The nominal tensile strength is valid for 23 °C (73 °F). The admissible tensile force depends on the operating temperature near the drive sprockets. Within the temperature range allowed, the admissible tensile force may vary from 100% to 20% of the nominal tensile strength. For detailed information and correct calculation of effective tensile force refer to the Calculation Guide in the HabasitLINK® Engineering Guidelines.

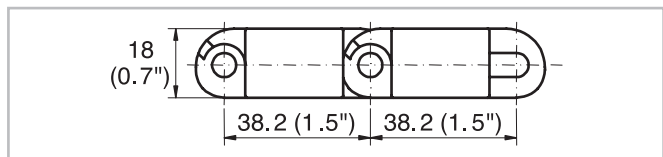
HabasitLINK® Radius 1-1/2" Pitch Belting M3843 Tight Radius 1.5"

Description

- For radius and straight conveying, ideal for applications with limited space (collapse factor 1.6)
- 37% open area; 50% open contact area; largest opening 9x18 mm (0.35"x0.7")
- Excellent for cooling and draining
- Easy to clean
- Food approved materials
- Rod diameter 6 mm (0.24")
- "Open window" sprockets

Available accessories

- Flights: Minimum indent 105 / 95 mm (4.1" / 3.7")
- Sideguards
- Hold down modules



Belt data

Belt material		PP		POM	
Rod material		POM		PA	
Nominal tensile strength F'_N straight run	N/m lb/ft	20000 1370	20000 1370	29000 1986	
Nominal tensile strength F_N in curve ⁽¹⁾	N lbf	1800 405	1800 405	2250 506	
Temperature range	°C °F	5 - 93 40 - 200	5 - 105 40 - 220	-40 - 93 -40 - 200	
Belt weight m_B	kg/m ² lb/sqft	8.0 1.64	8.0 1.64	11.8 2.42	

⁽¹⁾ For $b_0 > 600$ mm (23.6") higher values admissible. Refer to LINK-SeleCalc.

Stainless steel rods are needed in every 4th row if GripTop modules are applied every row (fully covered with rubber).

Use GripTop modules in every second row and M3840 middle modules in the intermediate rows to achieve a sufficient lateral stiffness without using steel rods (in this case the belt weight is around 10% less than the value indicated in the table).

Diameter of idling rollers (minimum)		Diameter of support rollers (minimum)		Diameter for gravity take-up and center drive rollers (minimum)		Backbending radius for elevators without sideguards or hold down devices (minimum)		Backbending radius for elevators with sideguards or hold down devices (minimum)	
mm	inch	mm	inch	mm	inch	mm	inch	mm	inch
60	2.4	100	4	150	6	150	6	250	10

Use the largest possible backbending radius for elevators with side guards or hold down devices.

HabasitLINK® Radius 1-1/2" Pitch Belting M3843 Tight Radius 1.5"

Standard range of belt widths b_0 and collapse factor Q ($R_{min} = Q \times b_0$)

Belt width mm (nom.)	250	300	350	400	450	500	550	600	650	700	750	800	850	900	950
Belt width inch (nom.)	10	12	14	16	18	20	22	24	26	28	30	32	34	36	38
Coll.fact. Q	1.50	1.53	1.55	1.57	1.59	1.60	1.61	1.62	1.64	1.68	1.71	1.74	1.77	1.79	1.81
Belt width mm (nom.)	1000	1050	1100	1150	1200										
Belt width inch (nom.)	40	42	44	46	48										
Coll.fact. Q	1.83	1.85	1.86	1.88	1.89										

Belt widths larger 1200 mm (48") not recommended; *please contact your Habasit representative.*
Real belt widths are in most cases 0.1% to 0.3% smaller.

Standard belt widths in increments of 50 mm (2"). Non-standard widths are offered in increments of 25 mm (1"). Smallest possible width 175 mm (7").

For detailed material properties refer to pages 276 - 281 or contact your Habasit representative.

The nominal tensile strength is valid for 23 °C (73 °F). The admissible tensile force depends on the operating temperature near the drive sprockets. Within the temperature range allowed, the admissible tensile force may vary from 100% to 20% of the nominal tensile strength. For detailed information and correct calculation of effective tensile force refer to the Calculation Guide in the HabasitLINK® Engineering Guidelines.

HabasitLINK® Radius 1-1/2" Pitch Belting M3843 Tight Radius GripTop 1.5"

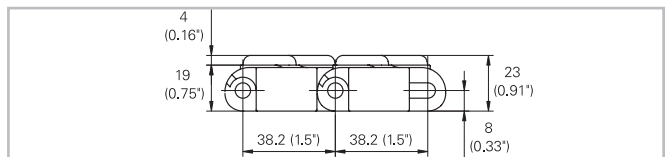
Description

- For radius and straight conveying, ideal for applications with limited space, with inclines (collapse factor 1.6)
- 31% open area; 50% open contact area; largest opening 7x19 mm (0.27"x0.75")
- Indent 30 mm (1.18")
- Abrasion resistant GripTop, high friction
- Food approved materials
- Rod diameter 6 mm (0.24")
- Steel rods every 4th row when fully covered with rubber
- "Open window" sprockets



Accessories

- Flights M3840: minimum indent 105 / 95 mm (4.1" / 3.7")
- Sideguards
- Hold down modules



Belt data

Belt material		PP		POM	
GripTop material		TPE			
Rod material		POM / Steel		PA / Steel	
Nominal tensile strength F'_N straight run	N/m lb/ft	20000 1370	20000 1370	29000 1986	
Nominal tensile strength F_N in curve ⁽¹⁾	N lbf	1800 405	1800 405	2250 506	
Temperature range	°C °F	5 - 60 40 - 140	5 - 60 40 - 140	-40 - 60 -40 - 140	
Belt weight m_B	kg/m ² lb/sqft	8.9 1.83	8.9 1.83	12.7 2.60	

⁽¹⁾ For $b_0 > 600$ mm (23.6") higher admissible values are admissible.

Stainless steel rods are needed in every 4th row if GripTop modules are applied every row (fully covered with rubber).

Use GripTop modules in every second row and M3840 middle modules in the intermediate rows to achieve a sufficient lateral stiffness without using steel rods (in this case the belt weight is around 10% less than the value indicated in the table).

Diameter of idling rollers (minimum)		Diameter of support rollers (minimum)		Diameter for gravity take-up and center drive rollers (minimum)		Backbending radius for elevators without sideguards or hold down devices (minimum)		Backbending radius for elevators with sideguards or hold down devices (minimum)	
mm	inch	mm	inch	mm	inch	mm	inch	mm	inch
60	2.4	100	4	150	6	150	6	250	10

Use the largest possible backbending radius for elevators with side guards or hold down devices.

HabasitLINK® Radius 1-1/2" Pitch Belting M3843 Tight Radius GripTop 1.5"

Standard range of belt widths b_0 and collapse factor Q ($R_{min} = Q \times b_0$)

Belt width mm (nom.)	250	300	350	400	450	500	550	600	650	700	750	800	850	900
Belt width inch (nom.)	10	12	14	16	18	20	22	24	26	28	30	32	34	36
Coll.fact. Q	1.50	1.53	1.55	1.57	1.59	1.60	1.61	1.62	1.64	1.68	1.71	1.74	1.77	1.79
Belt width mm (nom.)	950	1000	1050	1100	1150	1200								
Belt width inch (nom.)	38	40	42	44	46	48								
Coll.fact. Q	1.81	1.83	1.85	1.86	1.88	1.89								

Belt widths larger 1200 mm (48") not recommended; *please contact your Habasit representative.*
Real belt widths are in most cases 0.1% to 0.3% smaller.

Standard belt widths in increments of 50 mm (2"). Non-standard widths are offered in increments of 25 mm (1"). Smallest possible width 175 mm (7").

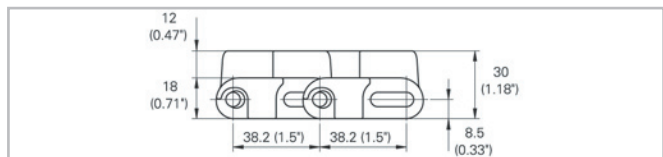
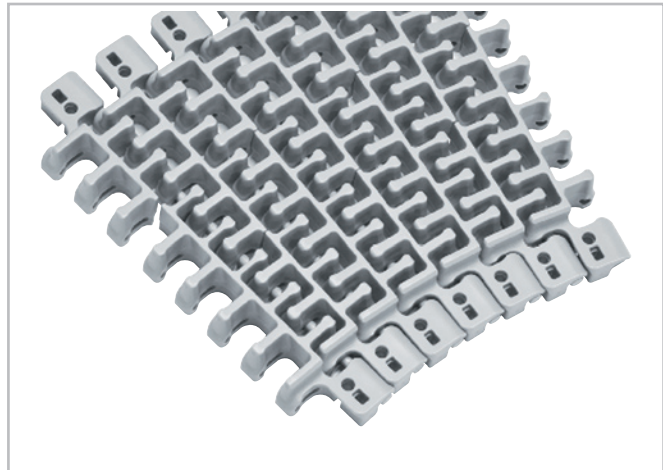
For detailed material properties refer to pages 276 - 281 or contact your Habasit representative.

The nominal tensile strength is valid for 23 °C (73 °F). The admissible tensile force depends on the operating temperature near the drive sprockets. Within the temperature range allowed, the admissible tensile force may vary from 100% to 20% of the nominal tensile strength. For detailed information and correct calculation of effective tensile force refer to the Calculation Guide in the HabasitLINK® Engineering Guidelines.

HabasitLINK® Radius 1-1/2" Pitch Belting M3892 Raised Deck 1.5"

Description

- Imperial belt width
- For radius and straight conveying, ideal for case handling (collapse factor 2.2)
- 45% open area; 82% open contact area; largest opening 10.7x20.6 mm (0.42"x0.81")
- Indent of 32 mm (1 1/4")
- Excellent for shifting goods sideways on and off the belt with simple conveyor design
- Food approved materials
- Rod diameter 6 mm (0.24")
- Smart Fit rod retention
- Large distance between wearstrips possible
- "Open window" sprockets



Belt data

Belt material		PP		POM	
Rod material		POM		PA	
Nominal tensile strength F'_N straight run	N/m lb/ft	23000 1575	23000 1575	32000 2192	
Nominal tensile strength F_N in curve ⁽¹⁾	N lbf	2000 450	2000 450	2400 540	
Temperature range	°C	5 - 93	5 - 105	-40 - 93	
	°F	40 - 200	40 - 220	-40 - 200	
Belt weight m_B	kg/m ²	11.5	11.5	17.1	
	lb/sqft	2.36	2.36	3.50	

⁽¹⁾ For $b_0 > 600$ mm (23.6") higher values admissible.

Diameter of idling rollers (minimum)		Diameter of support rollers (minimum)		Diameter for gravity take-up and center drive rollers (minimum)		Backbending radius for elevators without sideguards or hold down devices (minimum)		Backbending radius for elevators with sideguards or hold down devices (minimum)	
mm	inch	mm	inch	mm	inch	mm	inch	mm	inch
60	2.4	100	4	150	6	150	6	250	10

Use the largest possible backbending radius for elevators with side guards or hold down devices.

Standard range of belt widths b_0 and collapse factor Q ($R_{min} = Q \times b_0$) for nominal factor 2.2

Belt width mm (nom.)	254	304	356	406	457	508	559	609	660	711	762	813	864	914
Belt width inch (nom.)	10	12	14	16	18	20	22	24	26	28	30	32	34	36
Coll.fact. Q	1.86	1.92	1.96	1.99	2.02	2.03	2.05	2.06	2.07	2.08	2.09	2.09	2.10	2.10
Belt width mm (nom.)	965	1016	1067	1117	1168	1219	1270							
Belt width inch (nom.)	38	40	42	44	46	48	50	<font						
Coll.fact. Q	2.11	2.11	2.11	2.12	2.12	2.12	2.13							

Belt widths larger than 1270 mm (50") are not recommended; *please contact Habasit*.
Real belt widths are in most cases 0.1% to 0.3% smaller.

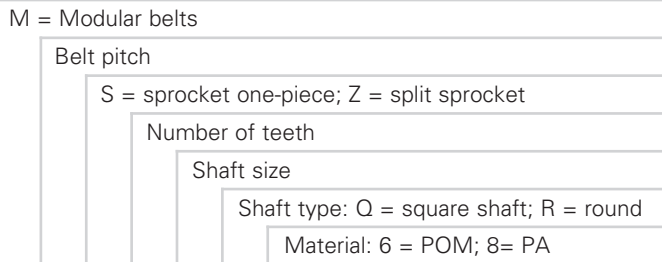
Standard belt widths in increments of 2.0" (50.8 mm). Non-standard widths are offered in increments of 1.0" (25.4 mm). Smallest possible width 8.0" (203.2 mm).

For detailed material properties refer to pages 276 - 281 or contact your Habasit representative.

The nominal tensile strength is valid for 23 °C (73 °F). The admissible tensile force depends on the operating temperature near the drive sprockets. Within the temperature range allowed, the admissible tensile force may vary from 100% to 20% of the nominal tensile strength. For detailed information and correct calculation of effective tensile force refer to the Calculation Guide in the HabasitLINK® Engineering Guidelines.

HabasitLINK® Sprockets - 1-1/2" Pitch Belting

Sprocket Series M3800



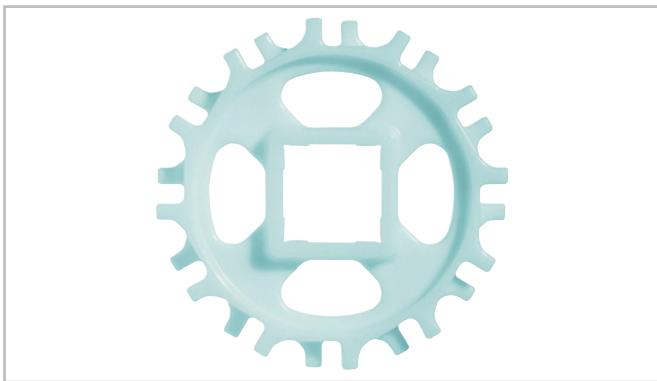
M 38 S 12 40 Q 6

Sprocket availability

Type	Number of teeth	Diam. of pitch $\varnothing d_p$		A_1		Hub width B_L		Square bore Q		Standard material
		mm	inch	mm	inch	mm	inch	mm	inch	
S	8	101.9	4.0	42.0	1.65	30	1.18	40	1.5	POM
S	12	150.0	5.9	66.0	2.60	30	1.18	40 / 60	1.5 / 2.5	POM
S	16	198.2	7.8	90.1	3.55	30	1.18	40 / 60	1.5 / 2.5	POM

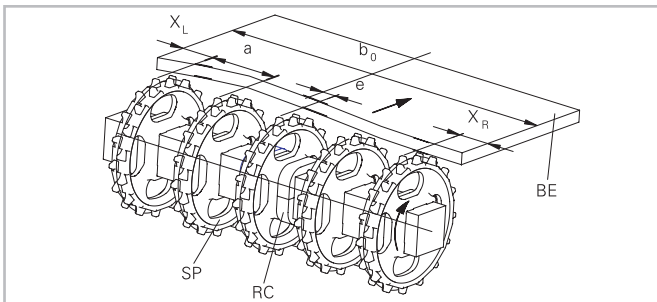
S: molded sprockets. Other sprocket and hub sizes on request.

Other materials available on request.

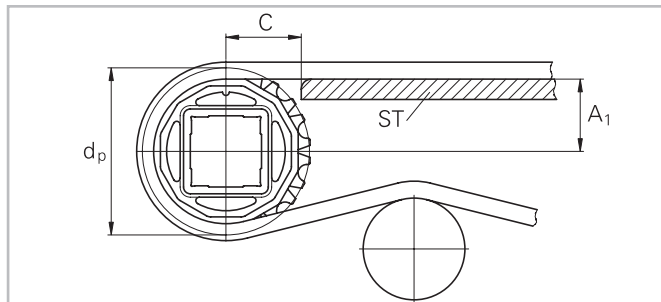


Sprocket one-piece ("open window")

Sprocket arrangement



- BE** Belt
- RC** Retainer
- SP** Sprocket
- b₀** belt width



The distance **C** between the sprocket axis and the slider support **ST** is minimal 41 mm (1.6").

Wearstrips

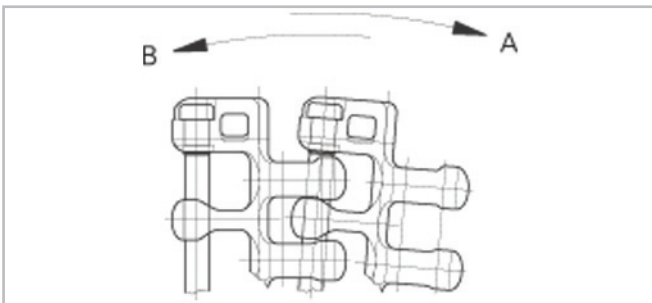
Between driving shaft and idling sprockets or rollers the belt is carried by a slider support furnished with longitudinal wear strips from UHMW Polyethylene or other suitable material.

Sprocket positioning

For correct positioning of the center sprocket divide the belt width by the link increment. The rounded result will be an even or an odd number. These numbers are the criteria for offset or no offset, see table.

Belt type	Sprocket spacing a		Sprocket edge distance (minimal) *		Criteria for center sprocket position	Result of formula (rounded)	Offset e	Remarks
	minimal	maximal	X_L	X_R				
	mm inch	mm inch	mm inch	mm inch				
M3840 M3843	50 2	125 5	44 1.73	31 1.22	$b_0 / 25$ $b_0 / 0.98$	even number (2, 4, 6 ...)	6.3 0.25	left in running direction A right in running direction B
						odd number (3, 5, 7 ...)	6.3 0.25	right in running direction A left in running direction B
M3840 M3843 with hold down tabs	50 2	125 5	68 2.68	55 2.17	$b_0 / 25$ $b_0 / 0.98$	even number (2, 4, 6 ...)	6.3 2.25	left in running direction A right in running direction B
						odd number (3, 5, 7 ...)	6.3 0.25	right in running direction A left in running direction B
M3892	50.8 2	127 5	42.5 1.67	57 2.24	$b_0 / 25.4$ $b_0 / 1$	even number (2, 4, 6 ...)	6.2 0.24	left in running direction A right in running direction B
						odd number (3, 5, 7 ...)	6.2 0.24	right in running direction A left in running direction B

* X_L and X_R are related to the running direction A and inverse for running direction B.



Left edge X_L

Numbers of sprockets and wearstrips for M3840, M3843 and M3892 without hold down tabs

Standard belt width (nominal)		Number of sprockets per shaft	Number of wearstrips	
mm	<i>inch</i>	min. number	Carryway (top)	Returnway (bottom)
200	8	2	2	2
250	10	2	2	2
300	12	2	2	2
350	14	3	2	2
400	16	3	3	3
450	18	3	3	3
500	20	3	3	3
550	22	3	3	3
600	24	5	4	3
650	26	5	4	3
700	28	5	4	3
750	30	5	4	3
800	32	5	5	4
850	34	7	5	4
900	36	7	5	4
950	38	7	5	4
1'000	40	7	6	5
1'050	42	7	6	5
1'100	44	9	6	5
1'150	46	9	6	5
1'200	48	9	7	6
1'250	50	9	7	6

The number of sprockets depends on the belt load and may be different for driving and idling shafts. For calculation of correct sprocket number please use LINK-SeleCalc.

Numbers of sprockets and wearstrips for M3840, M3843 with hold down tabs

Standard belt width (nominal)		Number of sprockets per shaft	Number of wearstrips	
mm	<i>inch</i>	min. number	Carryway (top)	Returnway (bottom)
200	8	2	2	2
250	10	2	2	2
300	12	2	2	2
350	14	3	2	2
400	16	3	3	3
450	18	3	3	3
500	20	3	3	3
550	22	3	3	3
600	24	5	4	3
650	26	5	4	3
700	28	5	4	3
750	30	5	4	3
800	32	5	5	4
850	34	7	5	4
900	36	7	5	4
950	38	7	5	4
1'000	40	7	6	5
1'050	42	7	6	5
1'100	44	9	6	5
1'150	46	9	6	5
1'200	48	9	7	6
1'250	50	9	7	6

The number of sprockets depends on the belt load and may be different for driving and idling shafts. For calculation of correct sprocket number please use LINK-SeleCalc.

To avoid the belt flipping over or slipping off the inner guide rail in the curve, hold down guides are normally used. They are however not suitable if the conveyed goods are larger than the belt width or if side transfer over the belt edge is required. For these cases special modules equipped with hold down tabs (hook modules) are available for both belt edges.

Hold down modules (M3840H)

Hold down tabs are used for all applications where the products must be able to move over the belt edge. The use of hold down modules is also mandatory when applying sideguards.

Installation

Make sure to keep clearance between guides and hold down tabs. They are meant to act as lift-off safety devices and not as guides! They will, if in contact with the guides, wear off quickly and may increase the tension in the belt.

For these reasons the conveyor needs to be designed with the appropriate accuracy.

Minimum belt width 175 mm (7") (2 sprockets).

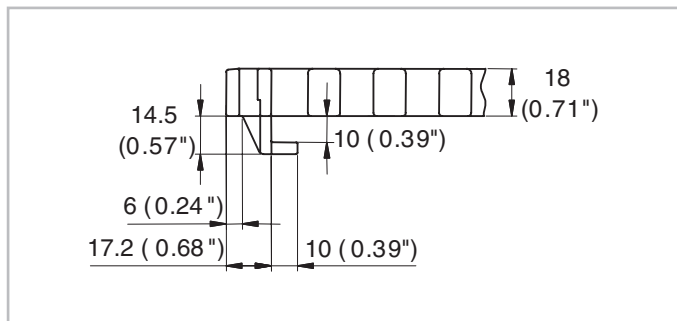
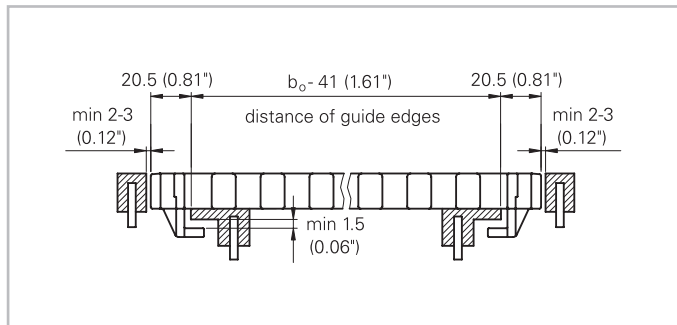
Sprocket sizes

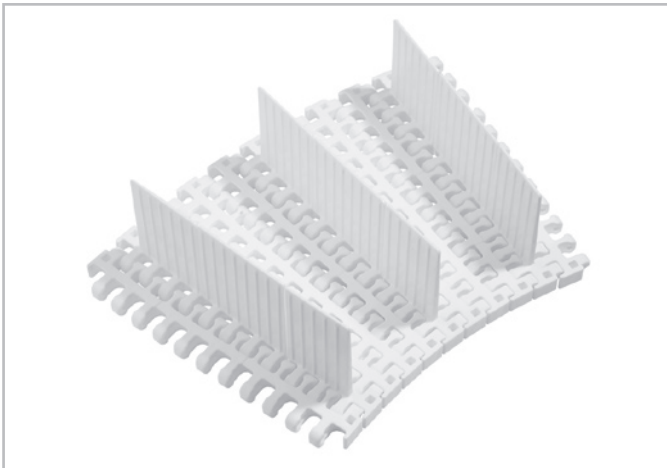
The combination sprocket/shaft size has to be selected in such a way to avoid collision of the hold down tabs with the shaft. Minimum sprocket sizes: M38S1240Q, M38S1260Q

Note

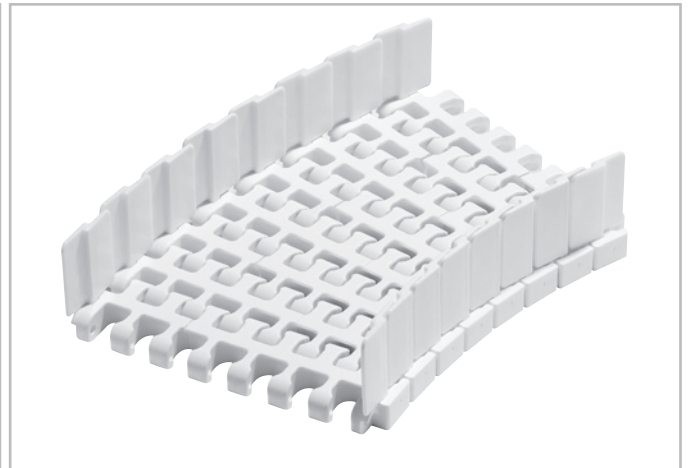
The hold down tabs are not recommended to be used for radial guidance. They can be worn away too quickly. They should not be used to hang-up the belt on its return way.

Further design indications see Design Guide Radius Belts and Slider Support Systems.



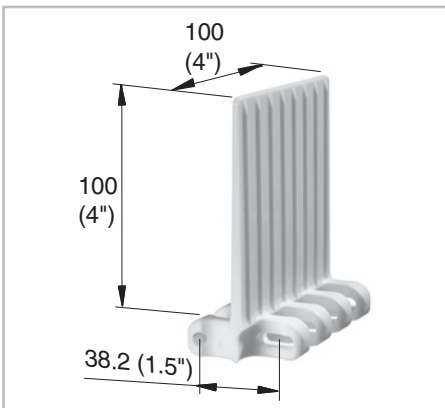


M3840 with flights

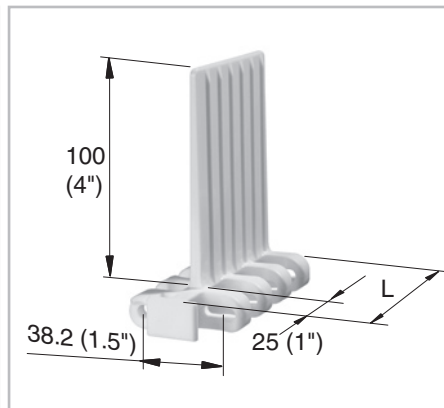


M3840 with sideguards

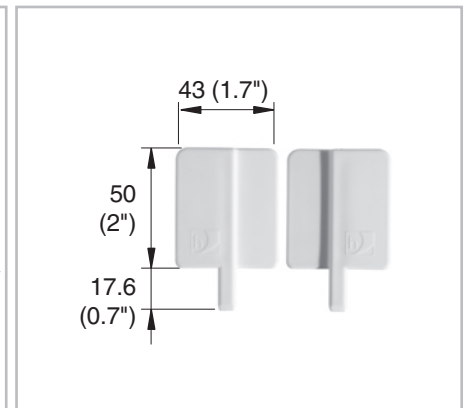
Flights are available in 100mm (4") height, sideguards in 50mm (2") height, see illustrations below. Flights are available with ribs on one side for better release of wet or sticky food products ("no-cling"). They can be cut to specific width and height if required. The collapse factor remains unchanged.



Middle flight
M3840F10



Edge flight
M384RF10 (right side)
M384LF10 (left side)
The total length L of the right and left type add to 200 mm (8")



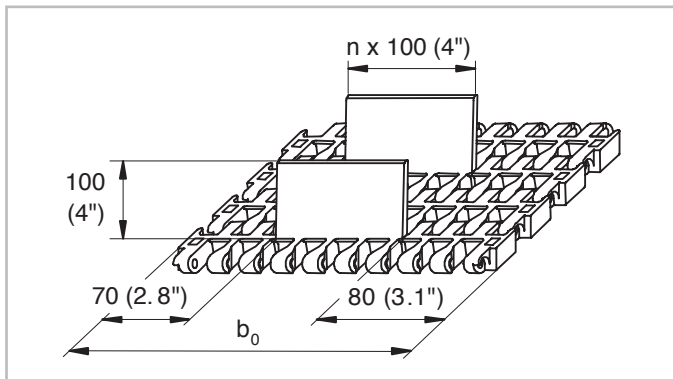
Sideguards
M384RG05 (right side)
M384LG05 (left side)
left and right version can be put on the opposite edge, (no functional problems) but they cannot be mixed.

Standard range of belt widths for belts with flights b₀

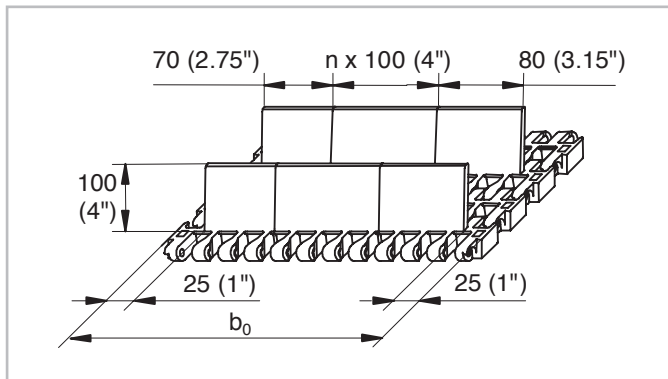
mm	200	300	400	500	600	700	800	900	1000	1100	1200	1300	1400	1500	etc.
inch (nom.)	8	12	16	20	24	28	32	36	40	44	48	52	56	60	etc.

Real belt widths are in most cases 0.1% to 0.3% smaller.

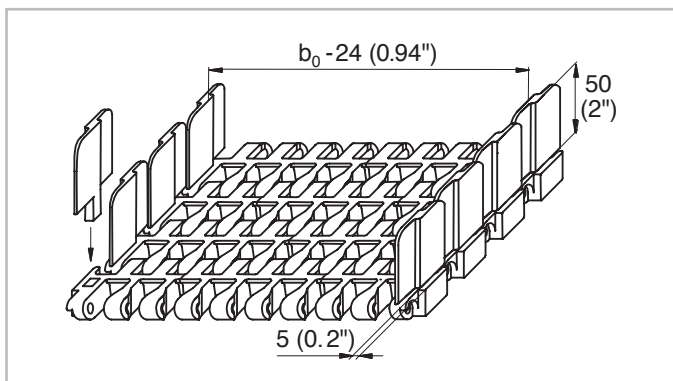
Assembly conceptions for M3840 Radius Belt Flights and Sideguards



Middle flights only



Middle and edge flights



Sideguards only (clip-on version)

Standard indents

The combination of flights and sideguards is possible, but not recommended. With sideguards, hold down modules must be used. On the return way the belt has to be supported either on the flights or between flights and sideguards (gap only 15 mm (0.6") wide). Do not support or guide the belt on the hold down tabs.

	left belt edge (running direction)	right belt edge (running direction)
Middle flights only (no indent flights)	70 mm (2.8")	80 mm (3.1")
Middle flights and indent flights	25 mm (1")	25 mm (1")
Sideguards	5 mm (0.2")	5 mm (0.2")

To avoid the belt flipping over or slipping off the inner guide rail in the curve, hold down guides are normally used. They are however not suitable if the conveyed goods are larger than the belt width or if side transfer over the belt edge is required. For these cases special modules equipped with hold down tabs (hook modules) or side tabs are available for both belt edges.

Hold down modules (M3843H00)

Hold down tabs are used for all applications where the products must be able to move over the belt edge.

Side tabs (M3843V00)

Side tabs can be used instead of hold down tabs for all applications where the products must be able to move over the belt edge.

Installation

Both hold down tabs and side tabs are snapped into the square hole provided at the outermost link of the edge modules. If ordered accordingly, M3843 belts are already furnished with these hold down tabs when delivered.

When installing on the conveyor frame, make sure to keep clearance between guides and tabs. They are meant to act as lift-off safety devices and not as guides! They will, if in contact with the guides, wear off quickly and may increase the tension in the belt. For these reasons the conveyor needs to be designed with the appropriate accuracy.

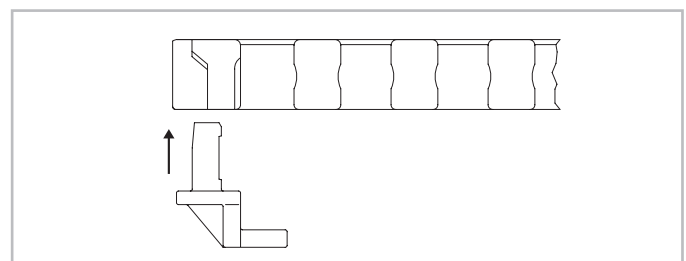
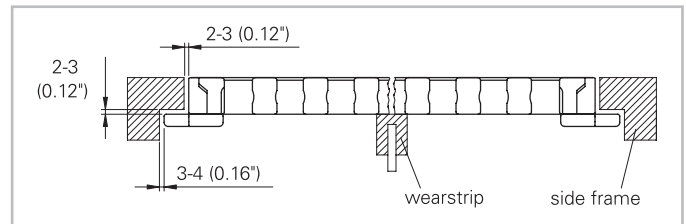
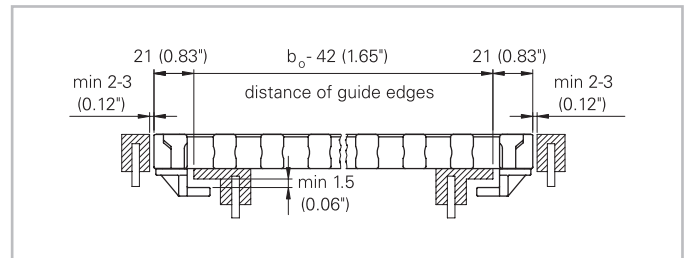
Minimum belt width 175 mm (7") (2 sprockets).

Sprocket sizes

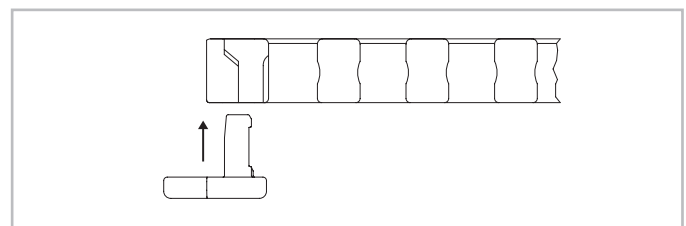
The combination sprocket/shaft size has to be selected in such a way to avoid collision of the hold down tabs with the shaft. Minimum sprocket sizes: M38S1240Q, M38S1260Q

Note

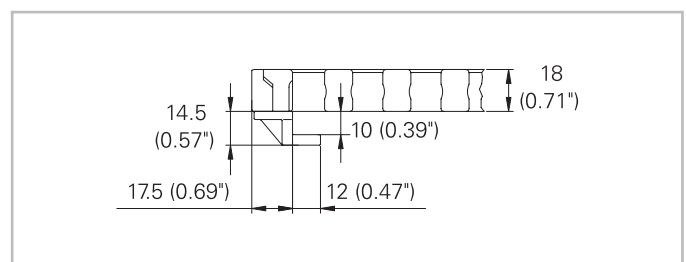
The hold down tabs are not recommended to be used for radial guidance. They can be worn away too quickly. Neither hold down tabs nor side tabs should be used to hang-up the belt on its return way. Further design indications see Design Guide Radius Belts and Slider Support Systems.



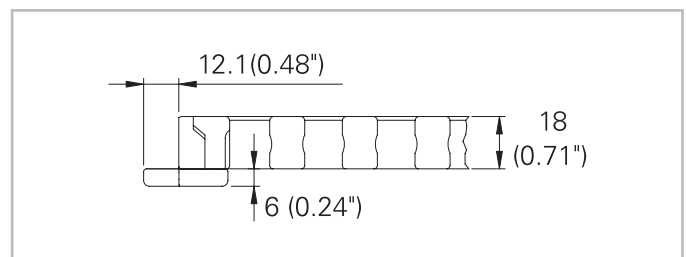
M3843H00



M3843V00



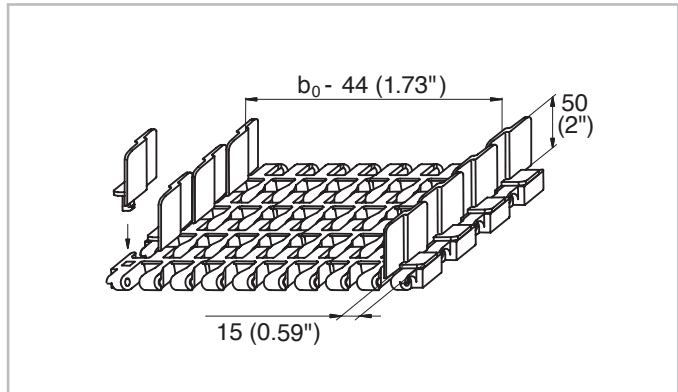
M3843H00



M3843V00

Sideguards are available in 50 mm height only.

The snap-on sideguards for M3843 cannot be used in combination with snap-on hold down tabs (hooks or side tabs). To avoid the belt in the curve to flip over or slip off the inner guide rail, hold down guides can be applied.

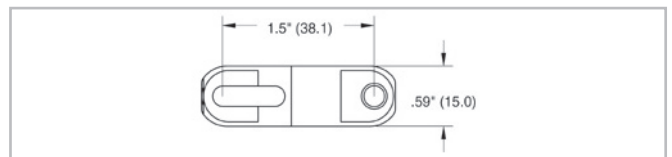
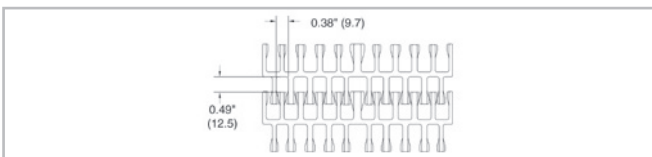
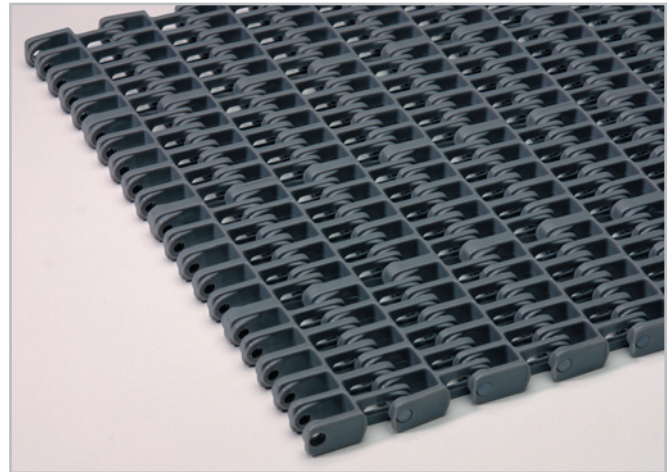


M3843 with sideguards

KVP® Straight 1-1/2" Pitch Belting SP615 (All-In-One)

Description

- 1-1/2 inch pitch
- 75% open area
- Food approved materials
- Bi-directional
- Connecting rod diameter = 0.188 inch (4.8 mm)
- Standard belt width increments = 3 inch (76.2 mm) nominal, starting from 6 inches (152.4 mm).
- Non-standard widths available in 5/8 inch (15.9 mm) increments from 4 inches (101.6 mm) upon request.
- Material selection may affect belt width — please contact your local partner for actual dimensions

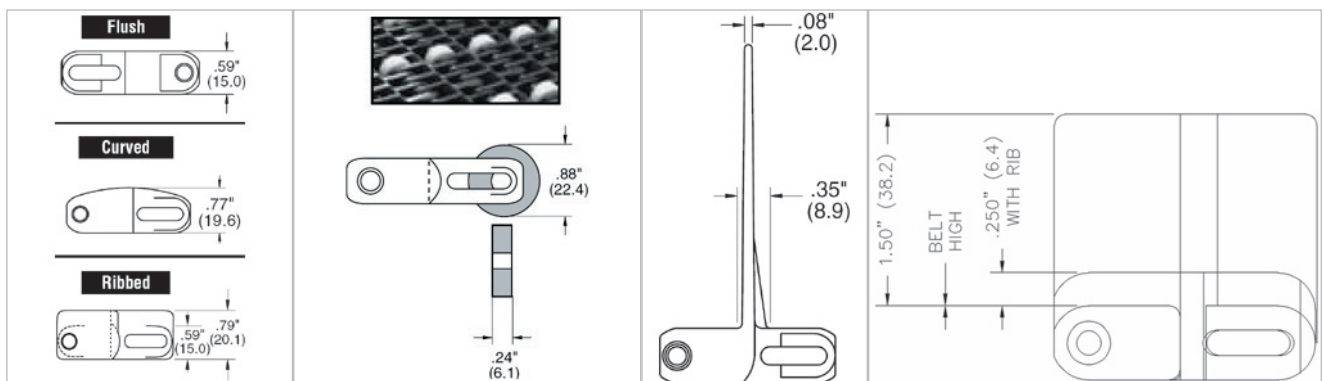


Belt data

Belt material		PP	PE	POM	Nylon (PA 66)
Rod material		PP	PE	PP	
Nominal tensile strength F'_N straight run	N/m	14593	11675	21890	21890
	lb/ft	1000	800	1500	1500
Temperature range	°C	5 - 99	-70 - 65	5 - 93	5 - 118
	°F	40 - 210	-94 - 150	40 - 200	40 - 245
Belt weight m_B	kg/m ²	5.4	5.6	7.8	6.8
	lb/sqft	1.11	1.14	1.59	1.40
Standard belt color		gray	white	blue/off-white	dark gray

Additional belt colors and materials available, abrasive resistant Nylon (Polyamide) rods available – contact your local partner.

Belt accessories



Inserts

Note: Inserts may affect belt pull - please contact your local partner.

Rollerbelt

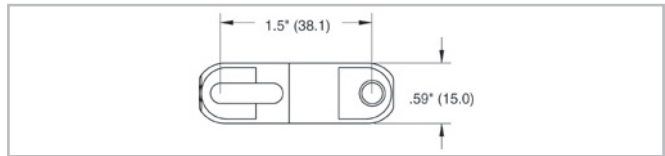
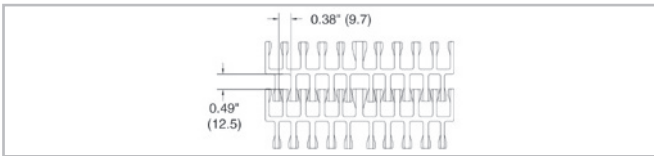
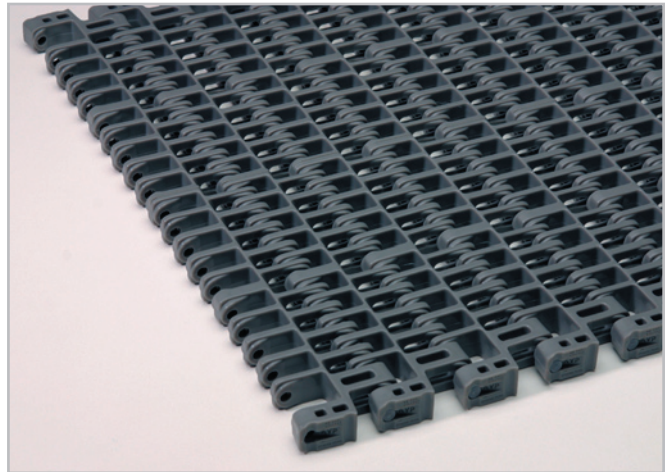
Standard flights

Standard flights are available in Sideplates are available; belt height, with rib, and 1-1/2" height. 1", 2", and 3" heights.

KVP® Straight 1-1/2" Pitch Belting IS615-S (All-In-One)

Description

- 1-1/2 inch pitch
- 75% open area
- Food approved materials
- Bi-directional
- Connecting rod diameter = 0.188 inch (4.8 mm)
- Standard belt width increments = 3 inch (76.2 mm) nominal, starting from 7.25 inches (184.2 mm)
- Non-standard widths available in 5/8 inch (15.9 mm) increments from 4 inches (101.6 mm) upon request
- Material selection may affect belt width — please contact your local partner for actual dimensions



Belt data

Belt material		PP	PE	POM	Nylon (PA 66)
Rod material		PP	PE	PP	PP
Nominal tensile strength F'_N straight run	N/m lb/ft	14593 1000	11675 800	21890 1500	21890 1500
Temperature range	°C °F	5 - 105 40 - 220	-70 - 65 -94 - 150	5 - 93 40 - 200	5 - 118 40 - 245
Belt weight m_B	kg/m ² lb/sqft	5.8 1.19	6.0 1.22	8.7 1.83	7.4 1.53
Standard belt color		gray	white	blue/off-white	dark gray

Additional belt colors and materials available, abrasive resistant Nylon (Polyamide) rods available – contact your local partner.

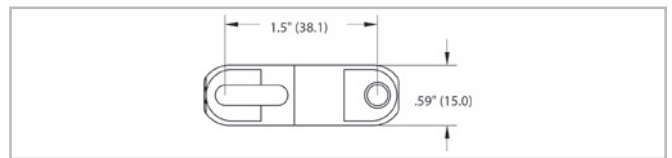
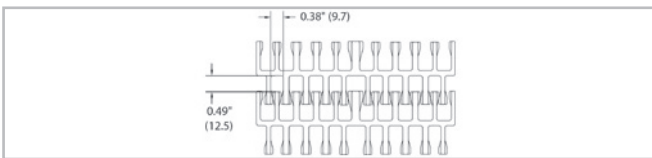
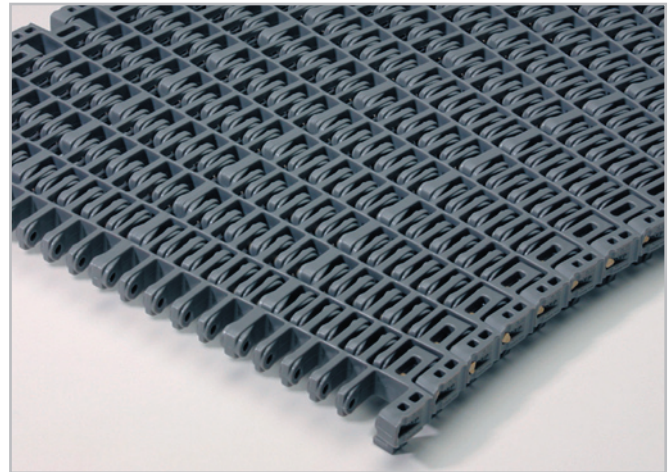
Belt accessories

<p>Hold down tabs</p>	<p>Inserts Note: Inserts may affect belt pull — please contact your local partner.</p>	<p>Rollerbelt</p>	<p>Standard flights Standard flights are available in 1", 2", and 3" heights. Standard flight indent is 1-1/4" or greater from outside edge of belt.</p>	<p>Sideplates Sideplates are available in standard 1" and 3" heights. Note: Sideplates must be indented a minimum of 1" from outside edge of belt.</p>
------------------------------	---------------------------------------------------------------------------------------------------	--------------------------	---------------------------------------------------------------------------------------------------------------------------------------------------------------------	-------------------------------------------------------------------------------------------------------------------------------------------------------------------

KVP® Radius 1-1/2" Pitch Belting IS615-R (All-In-One)

Description

- 1-1/2 inch pitch
- Belt turning radius equals 2.2 times the nominal belt width up to 24 inches (609.6 mm)
- Belt turning radius equals 2.5 times the nominal belt width over 24 inches (609.6 mm)
- 75% open area
- Food approved materials
- Bi-directional
- Connecting rod diameter = 0.188 inch (4.8 mm)
- Standard belt width increments = 3 inch (76.2 mm) nominal, starting from 7.25 inches (184.2 mm)
- Non-standard widths available in 5/8 inch (15.9 mm) increments starting at 5 inches (127 mm) upon request
- Material selection may affect belt width — please contact your local partner for actual dimensions



Belt data

Belt material		PP	PE	POM	Nylon (PA 66)
Rod material		Nylon (PA)	POM	Nylon (PA)	
Nominal tensile strength F_N in curve ⁽¹⁾	N <i>lbf</i>	1112 <i>250</i>	845 <i>190</i>	1779 <i>400</i>	1779 <i>400</i>
Temperature range	°C	5 - 105	-40 - 65	-40 - 93	-40 - 118
	°F	40 - 220	-40 - 150	-40 - 200	-40 - 245
Belt weight m_b	kg/m ² <i>lb/sqft</i>	5.8 <i>1.19</i>	6.0 <i>1.22</i>	8.7 <i>1.83</i>	7.4 <i>1.53</i>
Standard belt color		gray	white	off-white	gray

Additional belt colors and materials available, abrasive resistant Nylon (Polyamide) rods available – contact your local partner.

Belt accessories

Hold down tabs

Inserts

Rollerbelt

Standard flights

Sideplates

Note: Inserts may affect belt pull — please contact your local partner.

Note: The use of rollers will change the turning radius to 3.5.

Standard flights are available in 1", 2", and 3" heights. Standard minimum of 1-1/4" from outside edge flight indent is 1-1/4" or greater of belt from outside edge of belt.

KVP® Sprockets – 1 1/2" Pitch Belting

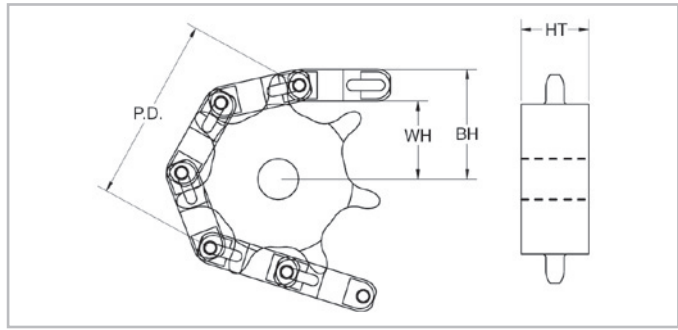
SP615, IS615



Molded sprocket



Machined sprocket



Sprocket part number	Number of teeth	(PD) Nominal pitch diameter		(WH) Shaft center to top of wearstrip		(BH) Shaft center to top of belt		(HT) Hub thickness	
		inch	mm	inch	mm	inch	mm	inch	mm
SP71507	7	3.46	88	1.44	37	2.03	52	0.75	19
71509M	9	4.39	112	1.9	48	2.49	63	1.50	38
71512M	12	5.80	147	2.61	66	3.20	81	1.50	38
SP71515	15	7.22	183	3.32	84	3.91	99	0.75	19
SP71517	17	8.16	207	3.79	96	4.38	111	0.75	19

M = molded sprocket

Split sprockets and other tooth sizes are available. Standard machined sprocket material is UHMW, Nylon and Urethane are available. Please contact your local partner.

Sprocket part number	Available bore size														
	25 mm	1"	1" sq.	30 mm	1-1/4"	1-7/16"	1-1/2"	1-1/2" sq.	40 mm	40 mm sq.	1-15/16"	50 mm	2"	2" sq.	2-1/2" sq.
SP71507	✓	✓	✓	✓	✓	✓	✓	–	✓	–	–	–	–	–	–
71509M	–	✓	–	✓	✓	✓	✓	✓	–	–	–	–	–	–	–
71512M	–	✓	–	✓	✓	✓	✓	✓	–	–	–	–	–	–	–
SP71515	✓	✓	✓	✓	✓	✓	✓	✓	✓	✓	✓	✓	✓	✓	✓
SP71517	✓	✓	✓	✓	✓	✓	✓	✓	✓	✓	✓	✓	✓	✓	✓

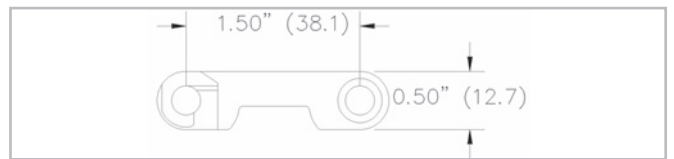
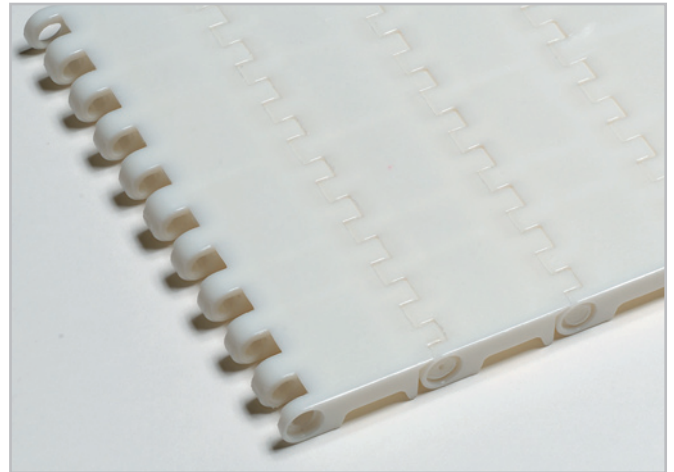
M = molded sprocket

All bore sizes are round bore unless designated square (sq.).

KVP® Straight 1-1/2" Pitch Belting ST615 (Solid Top)

Description

- 1-1/2 inch pitch
- Solid top surface
- Food approved materials
- Bi-directional
- Connecting rod diameter = 0.250 inch (6.4 mm)
- Standard belt width increments = 3 inch (76.2 mm) nominal, starting from 6 inches (152.4 mm)
- Non-standard widths available in 5/8 inch (15.9 mm) increments starting at 3 inches (76.2 mm) upon request
- Material selection may affect belt width — please contact your local partner for actual dimensions

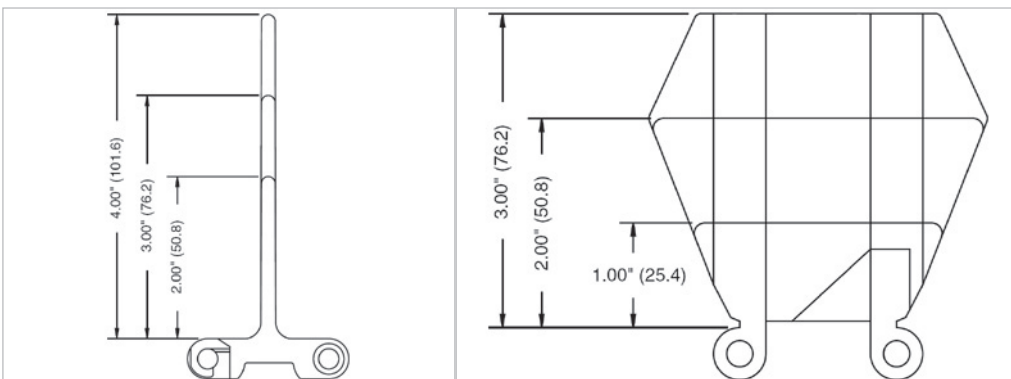


Belt data

Belt material		PP	PE
Rod material		PP	PE
Nominal tensile strength F_N^1 straight run	N/m lb/ft	26262 1800	21010 1440
Temperature range	°C °F	5 - 105 40 - 220	-70 - 65 -94 - 150
Belt weight m_B	kg/m ² lb/sqft	6.8 1.40	7.3 1.50
Standard belt color		gray	white

Additional belt colors and materials available, abrasive resistant Nylon (Polyamide) rods available – contact your local partner.

Belt accessories



Flights

Standard flights are available in 2", 3" and 4" heights. Standard flight indent is 1" or greater from outside edge of belt.

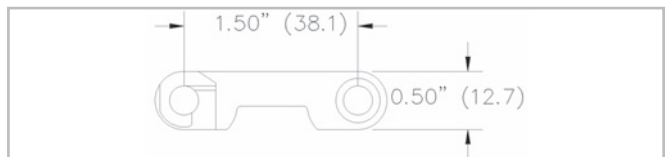
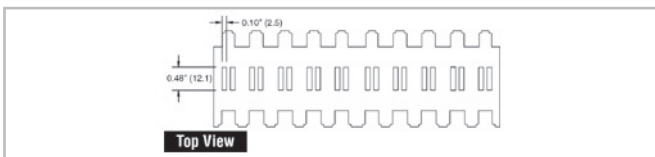
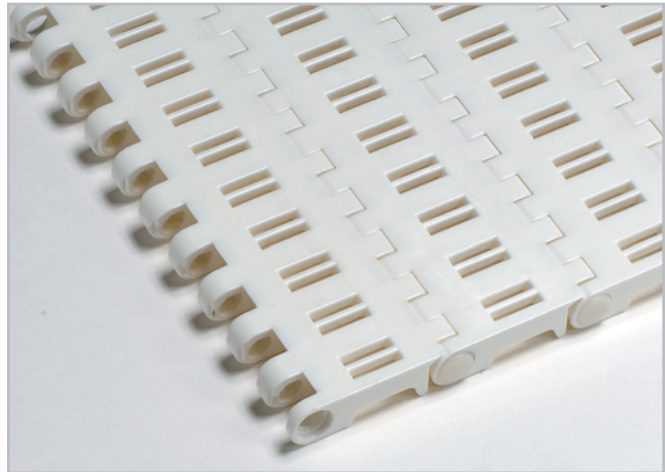
Sideplates

Sideplates are available in standard 1", 2", and 3" heights.

KVP® Straight 1-1/2" Pitch Belting VT615 (Vented Top)

Description

- 1-1/2 inch pitch
- 11% open area
- Food approved materials
- Bi-directional
- Connecting rod diameter = 0.250 inch (6.4 mm)
- Standard belt width increments = 3 inch (76.2 mm) nominal, starting from 6 inches (152.4 mm)
- Non-standard widths available in 5/8 inch (15.9 mm) increments starting at 3 inches (76.2 mm) upon request
- Material selection may affect belt width — please contact your local partner for actual dimensions

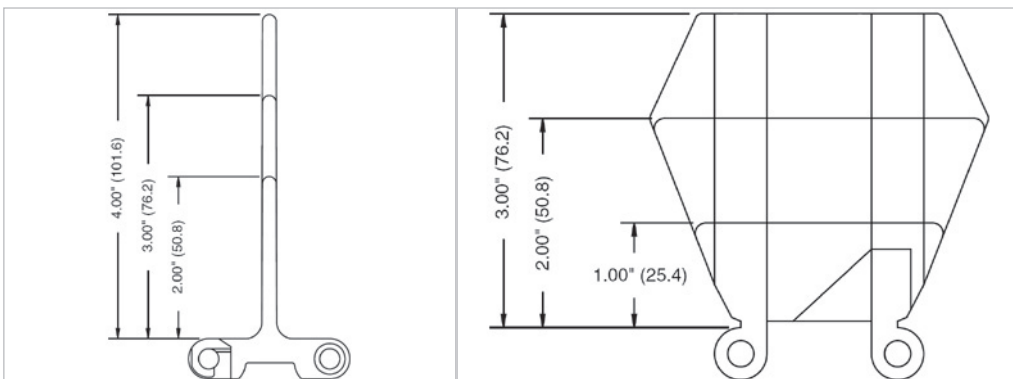


Belt data

Belt material		PP	PE
Rod material		PP	PE
Nominal tensile strength F'_N straight run	N/m	26262	21010
	lb/ft	1800	1440
Temperature range	°C	5 - 105	-70 - 65
	°F	40 - 220	-94 - 150
Belt weight m_B	kg/m ²	6.8	7.3
	lb/sqft	1.40	1.50
Standard belt color		gray	white

Additional belt colors and materials available, abrasive resistant Nylon (Polyamide) rods available – contact your local partner.

Belt accessories

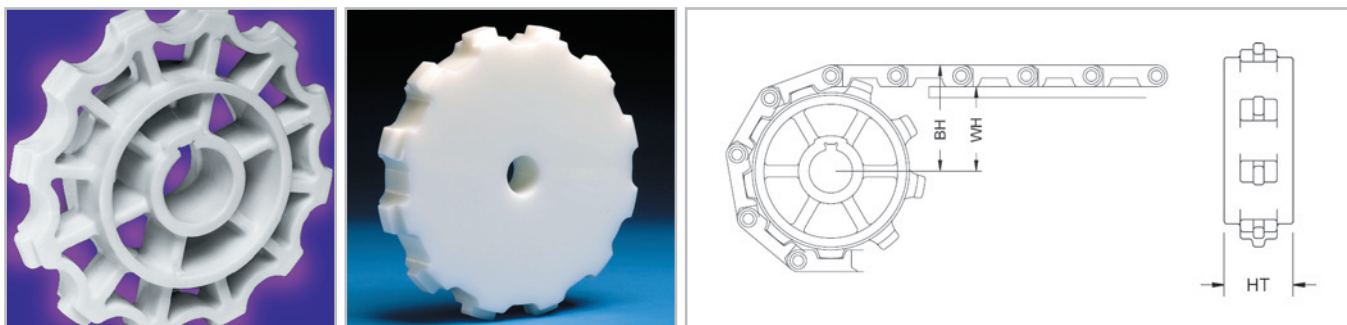


Flights

Standard flights are available in 2", 3" and 4" heights. Standard flight indent is 1" or greater from outside edge of belt.

Sideplates

Sideplates are available in standard 1", 2", and 3" heights.



Molded sprocket

Machined sprocket

Sprocket part number	Number of teeth	(PD) Nominal pitch diameter		(WH) Shaft center to top of wearstrip		(BH) Shaft center to top of belt		(HT) Hub thickness	
		inch	mm	inch	mm	inch	mm	inch	mm
ST71509M	9	4.39	111.5	1.81	46.04	2.31	58.74	1.50	38.1
ST71512M	12	5.80	147.3	2.55	64.80	3.05	77.50	1.50	38.1
ST71515	15	7.21	183.4	3.28	83.34	3.78	96.04	1.00	25.4
ST71517	17	8.16	207.3	3.76	95.52	4.26	108.2	1.00	25.4

M = molded sprocket

Split sprockets and other tooth sizes are available. Standard machined sprocket material is UHMW, Nylon and Urethane are available. Please contact your local partner.

Sprocket part number	Available bore size															
	25 mm	1"	1" sq.	30 mm	1-1/4"	1-7/16"	1-1/2"	1-1/2" sq.	40 mm	40 mm sq.	1-15/16"	50 mm	2" sq.	60 mm	60 mm sq.	2-1/2" sq.
ST71509M	-	✓	-	✓	✓	✓	✓	✓	-	✓	-	-	-	-	-	-
ST71512M	-	✓	-	✓	✓	✓	✓	✓	-	✓	-	-	-	-	-	-
ST71515	✓	✓	✓	✓	✓	✓	✓	✓	✓	✓	✓	✓	✓	✓	✓	✓
ST71517	✓	✓	✓	✓	✓	✓	✓	✓	✓	✓	✓	✓	✓	✓	✓	✓

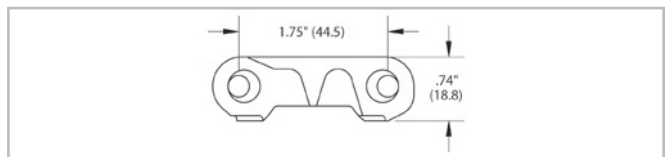
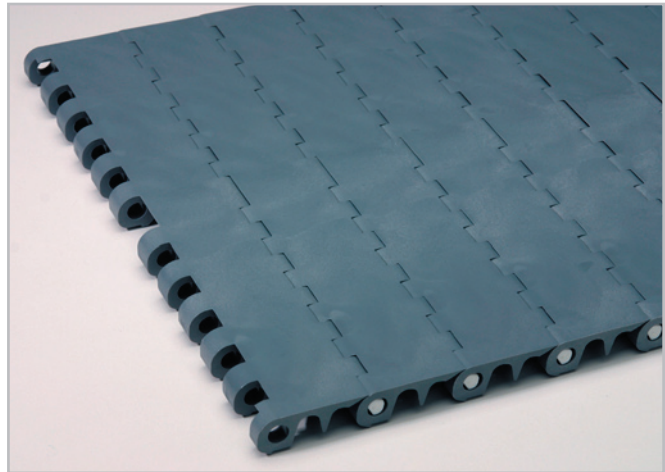
M = molded sprocket

All bore sizes are round bore unless designated square (sq.).

KVP® Straight 1-3/4" Pitch Belting CC41 (Constant Cleaning Solid Top)

Description

- 1-3/4 inch pitch
- Solid top surface
- Food approved materials
- Connecting rod diameter = 0.250 inch (6.4 mm)
- Standard belt width increments = 1 inch (25.4 mm) nominal, starting from 4 inches (101.6 mm)
- Material selection may affect belt width — please contact your local partner for actual dimensions

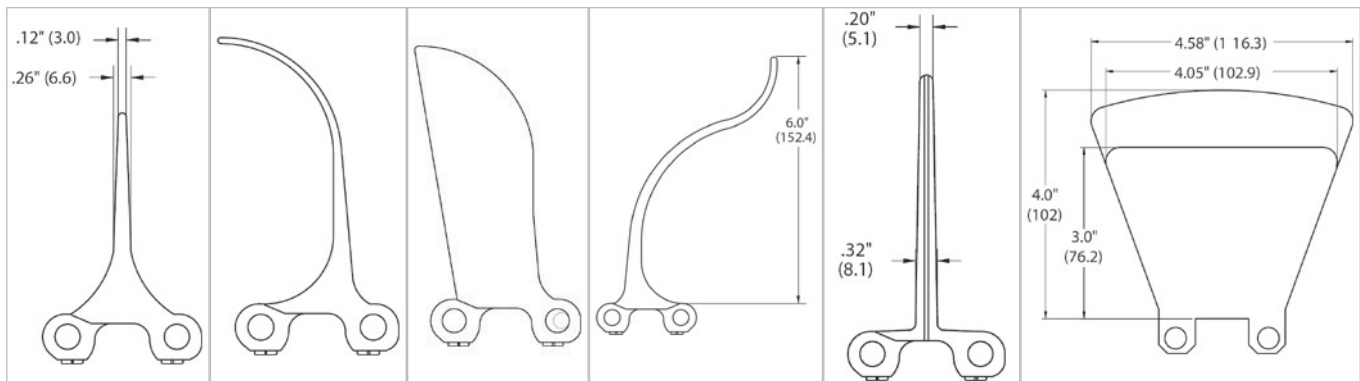


Belt data

Belt material		PP	PP +DE	PE	Nylon (PA 612)
Rod material		Nylon (PA)			
Nominal tensile strength F'_N straight run	N/m lb/ft	35024 2400	27728 1900	23349 1600	37944 2600
Temperature range	°C	5 - 105	5 - 105	-40 - 65	-40 - 118
	°F	40 - 220	40 - 220	-40 - 150	-40 - 245
Belt weight m_B	kg/m ²	7.3	5.9	8.0	9.0
	lb/sqft	1.50	1.20	1.63	1.85
Standard belt color		gray/white	dark gray	white	beige

Additional belt colors and materials available, stainless steel rods available - contact your local partner.

Belt accessories



Standard flight

Standard flights are available in 1", 2", and 3" heights. Standard flight indent is 1" or greater from outside edge of belt with all flights.

Scoop flight

Scoop flights are available in 3", 4" and 6" heights.

Bucket flight

Bucket flights are available in 3", 4" and 6" heights.

Slide flight

Tongue & Groove flight

Tongue & Groove flights are available in 4" height. Standard flight indent is 2" or greater from outside edge of belt.

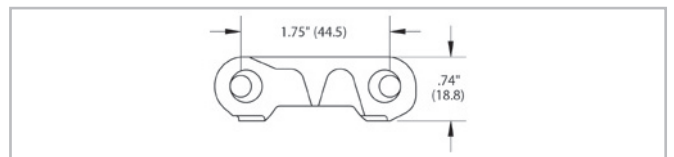
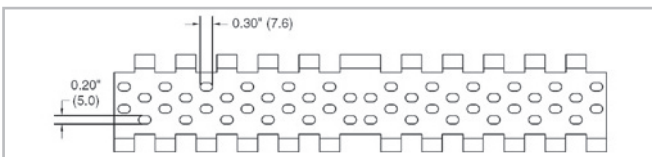
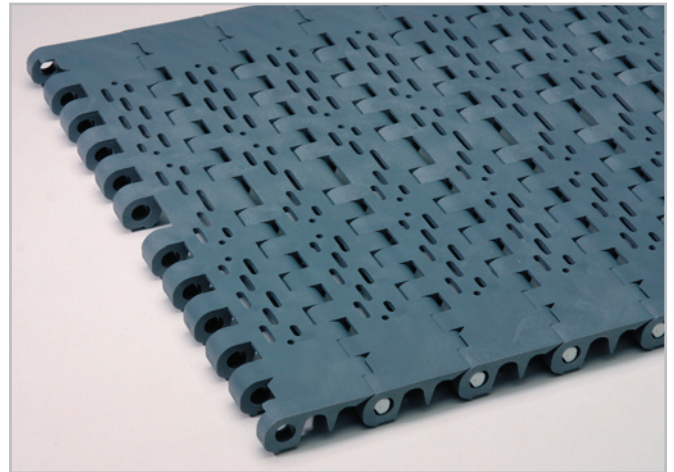
Sideplates

Sideplates are available in 3" and 4" heights.

KVP® Straight 1-3/4" Pitch Belting CC42 (Constant Cleaning Vented Top)

Description

- 1-3/4 inch pitch
- 20% open area
- Food approved materials
- Connecting rod diameter = 0.250 inch (6.4 mm)
- Standard belt width increments = 1 inch (25.4 mm) nominal, starting from 4 inches (101.6 mm)
- Material selection may affect belt width — please contact your local partner for actual dimensions

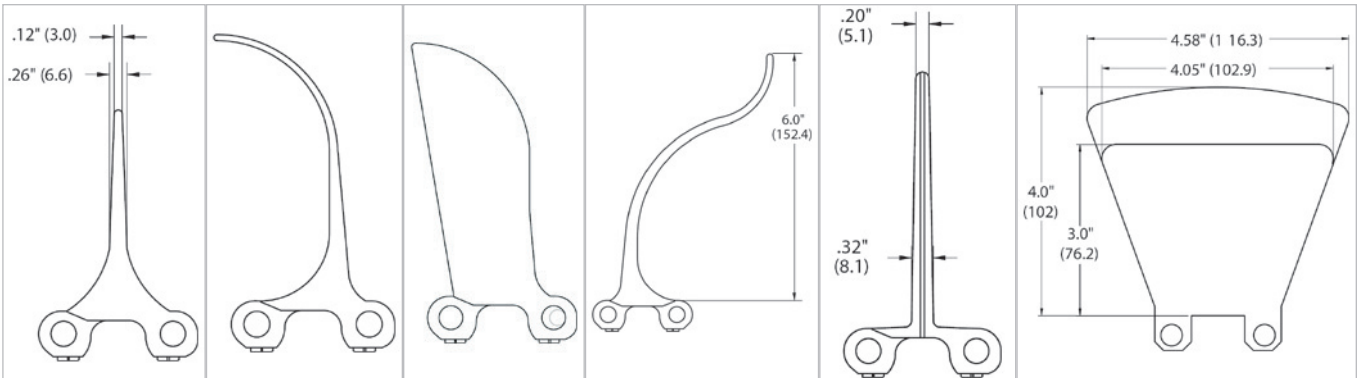


Belt data

Belt material		PP	PE
Rod material		Nylon (PA)	
Nominal tensile strength F_N^1 straight run	N/m lb/ft	35024 2400	23349 1600
Temperature range	°C °F	5 - 105 40 - 220	-40 - 65 -40 - 150
Belt weight m_B	kg/m ² lb/sqft	7.0 1.44	7.3 1.49
Standard belt color		gray/white	white

Additional belt colors and materials available, stainless steel rods available - contact your local partner.

Belt accessories



Standard flight
Standard flights are available in 1", 2", and 3" heights. Standard flight indent is 1" or greater from outside edge of belt with all flights.

Scoop flight
Scoop flights are available in 3", 4" and 6" heights.

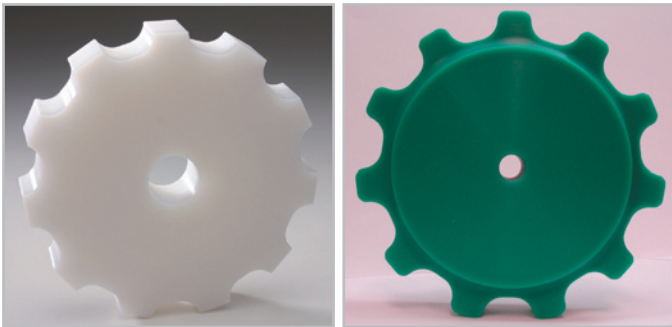
Bucket flight
Bucket flights are available in 3", 4" and 6" heights.

Slide flight

Tongue & Groove flight
Tongue & Groove flights are available in 4" height. Standard flight indent is 2" or greater from outside edge of belt.

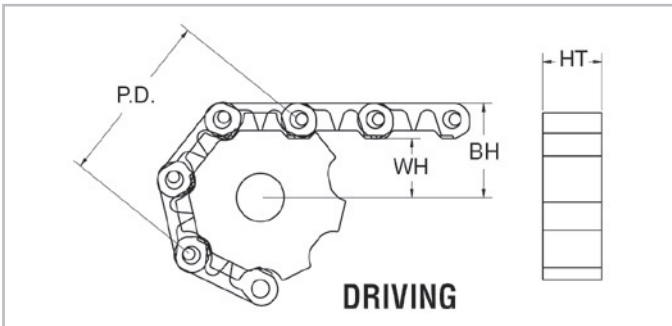
Sideplates
Sideplates are available in 3" and 4" heights.

KVP® Sprockets – 1 3/4" Pitch Belting CC41, CC42

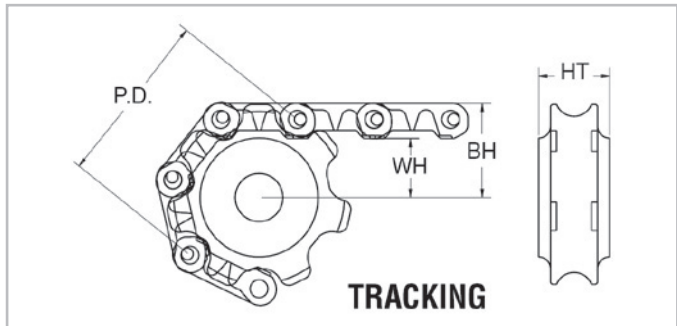


Machined sprocket

Tracking sprocket



DRIVING



TRACKING

Sprocket part number	Number of teeth	(PD) Nominal pitch diameter		(WH) Shaft center to top of wearstrip		(BH) Shaft center to top of belt		Drive (T) Tooth thickness		Drive (HT) Hub thickness		Tracking (HT) Hub thickness	
		inch	mm	inch	mm	inch	mm	inch	mm	inch	mm	inch	mm
471707	7	4.03	102	1.54	39	2.26	58	1.25	32	1.25	32	1.5	38
471709	9	5.12	130	2.08	53	2.82	72	1.25	32	1.25	32	1.5	38
471711	11	6.21	158	2.63	67	3.37	86	1.25	32	1.25	32	1.5	38
471713	13	7.31	186	3.18	81	3.92	100	1.25	32	1.25	32	1.5	38
471714	14	7.86	200	3.45	88	4.19	106	1.25	32	1.25	32	1.5	38
471717	17	9.52	242	4.28	109	5.02	128	1.25	32	1.25	32	1.5	38
471721	21	11.74	298	5.39	137	6.13	156	1.25	32	1.25	32	1.5	38

Split sprockets and other tooth sizes are available. Standard machined sprocket material is UHMW, Nylon and Urethane are available. Please contact your local partner.

Sprocket part number	Available bore size													
	25 mm	1"	1" sq.	30 mm	1-1/4"	1-7/16"	1-1/2"	1-1/2" sq.	40 mm	40 mm sq.	1-15/16"	50 mm	2"	2-1/2" sq.
471707	✓	✓	✓	✓	✓	✓	✓	✓	✓	✓	✓	✓	✓	–
471709	–	✓	✓	✓	✓	✓	✓	✓	✓	✓	✓	✓	✓	✓
471711	–	✓	✓	✓	✓	✓	✓	✓	✓	✓	✓	✓	✓	✓
471713	–	✓	✓	✓	✓	✓	✓	✓	✓	✓	✓	✓	✓	✓
471714	–	✓	✓	✓	✓	✓	✓	✓	✓	✓	✓	✓	✓	✓
471717	–	–	–	–	✓	✓	✓	✓	✓	✓	✓	✓	✓	✓
471721	–	–	–	–	✓	✓	✓	✓	✓	✓	✓	✓	✓	✓

All bore sizes are round bore unless designated square (sq.).

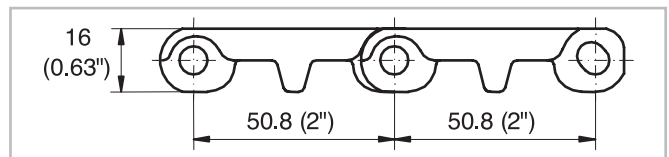
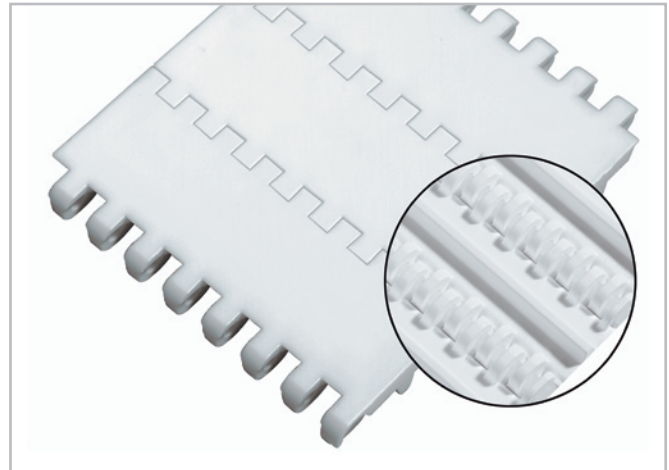
HabasitLINK® Straight 2" Pitch Belting M5010 Flat Top 2"

Description

- 0% open area
- Solid plate
- Open hinge, easy to clean
- Food approved materials
- Rod diameter 7 mm (0.27")

Available accessories

- Flights and scoops
- Sideguards
- Hold down devices
- GripTop modules



Belt data

Belt material		PP		PE	
Rod material		PP	PA	PE	PA
Nominal tensile strength F_N straight run	N/m	18000	18000	10000	10000
	lb/ft	1233	1233	685	685
Temperature range	°C	5 - 105	5 - 105	-70 - 65	-46 - 65
	°F	40 - 220	40 - 220	-94 - 150	-50 - 150
Belt weight m_B	kg/m ²	9.0	9.0	9.4	9.4
	lb/sqft	1.85	1.85	1.93	1.93

Belt material		POM		POM +IM	
Rod material		PE	PA	PE	PA
Nominal tensile strength F_N straight run	N/m	18000	30000	18000	30000
	lb/ft	1233	2055	1233	2055
Temperature range	°C	-40 - 65	-40 - 93	-40 - 65	-40 - 93
	°F	-40 - 150	-40 - 200	-40 - 150	-40 - 200
Belt weight m_B	kg/m ²	13.5	13.5	13.5	13.5
	lb/sqft	2.77	2.77	2.77	2.77

Diameter of idling rollers (minimum)		Diameter of support rollers (minimum)		Diameter for gravity take-up and center drive rollers (minimum)		Backbending radius for elevators without sideguards or hold down devices (minimum)		Backbending radius for elevators with sideguards or hold down devices (minimum)	
mm	inch	mm	inch	mm	inch	mm	inch	mm	inch
90	3.5	100	4	150	6	150	6	250	10

Use the largest possible backbending radius for elevators with side guards or hold down devices.

Standard range of belt widths b_0

mm (nom.)	75	150	225	300	375	450	525	600	675	750	825	900	975	1050	etc.
inch (nom.)	3	6	9	12	15	18	21	24	27	30	33	36	39	42	etc.

Real belt widths are in most cases 0.1% to 0.3% smaller.

HabasitLINK® Straight 2" Pitch Belting M5010 Flat Top 2"

Standard belt widths in increments of 18.75 mm (0.74"). Smallest possible width 37.5 mm (1.48"). Non-brick-layed belts 37.5 mm (1.48"), 56.25 mm (2.21"), 75 mm (3"), 150 mm (6"), 225 mm (9") and 600 mm (24") wide.

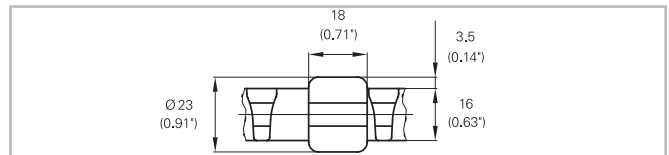
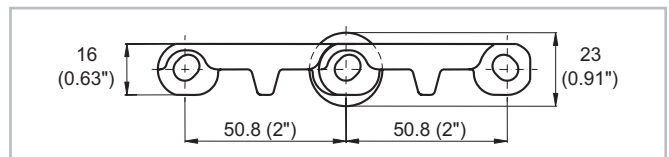
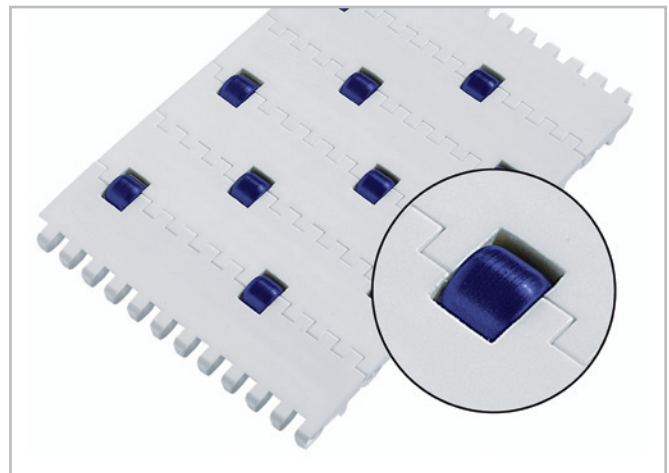
For detailed material properties refer to pages 276 - 281 or contact your Habasit representative.

The nominal tensile strength is valid for 23 °C (73 °F). The admissible tensile force depends on the operating temperature near the drive sprockets. Within the temperature range allowed, the admissible tensile force may vary from 100% to 20% of the nominal tensile strength. For detailed information and correct calculation of effective tensile force refer to the Calculation Guide in the HabasitLINK® Engineering Guidelines.

HabasitLINK® Straight 2" Pitch Belting M5010 Roller Top 2"

Description

- Largest opening 19x2 mm (0.7"x0.08")
- Roller lateral spacing see table belt data
- Rollers row spacing 50.8 mm (2")
- For low back pressure, wearstrips are placed between rollers
- For product driven application wearstrips are placed directly under the rollers
- Open hinge
- Food approved materials
- Rod diameter 7 mm (0.27")



Belt data

Belt material		POM			
Rod material		PA			
Roller material		POM			
Roller lateral spacing per row	mm / inch	56 / 2.2	75 / 3	112 / 4.4	150 / 6
Roller offset next row	mm / inch	0 / 0	0 / 0	56 / 2.2	75 / 3
Roller dimension diameter / width	mm / inch	Ø 23 / 18 Ø 0.91 / 0.71	Ø 23 / 18 Ø 0.91 / 0.71	Ø 23 / 18 Ø 0.91 / 0.71	Ø 23 / 18 Ø 0.91 / 0.71
Nominal tensile strength F _N straight run	N/m / lb/ft	20000 / 1370	21000 / 1438	22000 / 1507	22500 / 1541
Temperature range	°C / °F	-40 - 93 / -40 - 200	-40 - 93 / -40 - 200	-40 - 93 / -40 - 200	-40 - 93 / -40 - 200
Belt weight m _B	kg/m ² / lb/sqft	13.5 / 2.77	13.5 / 2.77	13.5 / 2.77	13.5 / 2.77

Diameter of idling rollers (minimum)		Diameter of support rollers (minimum)		Diameter for gravity take-up and center drive rollers (minimum)		Backbending radius for elevators without sideguards or hold down devices (minimum)		Backbending radius for elevators with sideguards or hold down devices (minimum)	
mm	inch	mm	inch	mm	inch	mm	inch	mm	inch
90	3.5	100	4	150	6	150	6	250	10

Use the largest possible backbending radius for elevators with side guards or hold down devices.

Standard range of belt widths b_0 and free edge

Belt width (mm) (nom.)	225	300	375	450	525	600	675	750	825	900	975	1050	etc.
Belt width (inch) (nom.)	9	12	15	18	21	24	27	30	33	36	39	42	etc.
Roller lateral spacing per row 112.5 mm / offset next row 56.25 mm													
Free edge (mm)	19/19	19/37	19/55	19/19	19/37	19/55	19/19	19/37	19/55	19/19	19/37	19/55	etc.
Free edge (inch)	0.7/0.7	0.7/1.5	0.7/2.2	0.7/0.7	0.7/1.5	0.7/2.2	0.7/0.7	0.7/1.5	0.7/2.2	0.7/0.7	0.7/1.5	0.7/2.2	etc.
Sprocket offset (mm)	0	18.75	-18.75	0	18.75	-18.75	0	18.75	-18.75	0	18.75	-18.75	etc.
Sprocket offset (inch)	0	0.74	-0.74	0	0.74	-0.74	0	0.74	-0.74	0	0.74	-0.74	etc.
Sprockets	3	4	6	7	8	10	11	12	14	15	16	18	etc.
Rollers (2 rows)	4	5	6	8	9	10	12	13	14	16	17	18	etc.
Roller lateral spacing per row 150 mm / offset next row 75 mm													
Free edge (mm)	28	28	28	28	28	28	28	28	28	28	28	28	etc.
Free edge (inch)	1.1	1.1	1.1	1.1	1.1	1.1	1.1	1.1	1.1	1.1	1.1	1.1	etc.
Sprocket offset (mm)	37.5	0	37.5	0	37.5	0	37.5	0	37.5	0	37.5	0	etc.
Sprocket offset (inch)	1.5	0	1.5	0	1.5	0	1.5	0	1.5	0	1.5	0	etc.
Sprockets	2	3	4	5	6	7	8	9	10	11	12	13	etc.
Rollers (2 rows)	3	4	5	6	7	8	9	10	11	12	13	14	etc.

Real belt widths are in most cases 0.1% to 0.3% smaller.

Standard belt widths in increments of 75 mm (3"). Smallest possible width 225 mm (9").

For detailed material properties refer to pages 276 - 281 or contact your Habasit representative.

The nominal tensile strength is valid for 23 °C (73 °F). The admissible tensile force depends on the operating temperature near the drive sprockets. Within the temperature range allowed, the admissible tensile force may vary from 100% to 20% of the nominal tensile strength. For detailed information and correct calculation of effective tensile force refer to the Calculation Guide in the HabasitLINK® Engineering Guidelines.

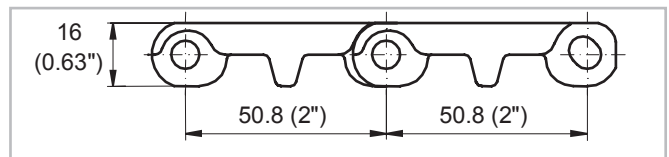
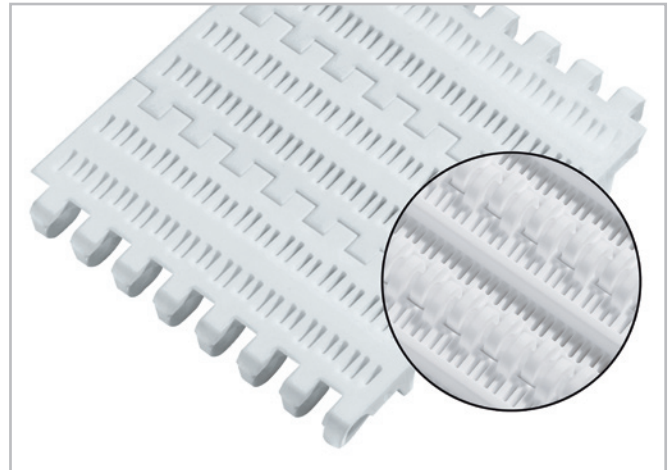
HabasitLINK® Straight 2" Pitch Belting M5011 Perforated Flat Top 2"

Description

- 18% open area; largest opening 2x10 mm (0.08"x0.4")
- Solid plate
- Open hinge, easy to clean
- Food approved materials
- Rod diameter 7 mm (0.27")

Available accessories

- Flights and scoops
- Sideguards
- Hold down devices
- GripTop modules



Belt data

Belt material		PP		PE		POM	
Rod material		PP	PA	PE	PA	PE	PA
Nominal tensile strength F_N^1 straight run	N/m	18000	18000	10000	10000	18000	30000
	lb/ft	1233	1233	685	685	1233	2055
Temperature range	°C	5 - 105	5 - 105	-70 - 65	-46 - 65	-40 - 65	-40 - 93
	°F	40 - 220	40 - 220	-94 - 150	-50 - 150	-40 - 150	-40 - 200
Belt weight m_B	kg/m ²	7.8	7.8	8.3	8.3	12.0	12.0
	lb/sqft	1.60	1.60	1.70	1.70	2.46	2.46

Belt material		POM +IM			
Rod material		PA		PE	
Nominal tensile strength F_N^1 straight run	N/m	30000		18000	
	lb/ft	2055		1233	
Temperature range	°C	-40 - 93		-40 - 65	
	°F	-40 - 200		-40 - 150	
Belt weight m_B	kg/m ²	12.0		12.0	
	lb/sqft	2.46		2.46	

Diameter of idling rollers (minimum)		Diameter of support rollers (minimum)		Diameter for gravity take-up and center drive rollers (minimum)		Backbending radius for elevators without sideguards or hold down devices (minimum)		Backbending radius for elevators with sideguards or hold down devices (minimum)	
mm	inch	mm	inch	mm	inch	mm	inch	mm	inch
90	3.5	100	4	150	6	150	6	250	10

Use the largest possible backbending radius for elevators with side guards or hold down devices.

Standard range of belt widths b_0

mm (nom.)	75	150	225	300	375	450	525	600	675	750	825	900	975	1050	etc.
inch (nom.)	3	6	9	12	15	18	21	24	27	30	33	36	39	42	etc.

Real belt widths are in most cases 0.1% to 0.3% smaller.

HabasitLINK® Straight 2" Pitch Belting M5011 Perforated Flat Top 2"

Standard belt widths in increments of 75 mm (3"). Non-standard widths are offered in increments of 18.75 mm (0.74"). Smallest possible width 112.5 mm (4.42"). Non-bricklaid belts 75 mm (3") and 150 mm (6") wide.

For detailed material properties refer to pages 276 - 281 or contact your Habasit representative.

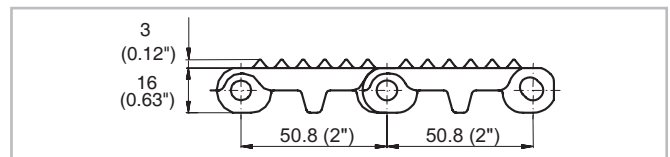
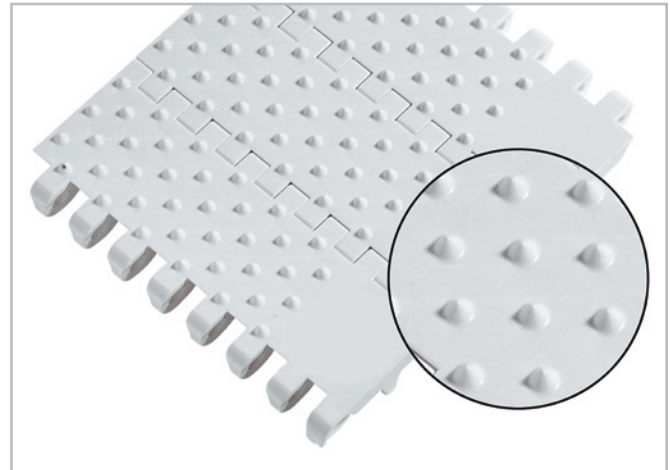
The nominal tensile strength is valid for 23 °C (73 °F). The admissible tensile force depends on the operating temperature near the drive sprockets. Within the temperature range allowed, the admissible tensile force may vary from 100% to 20% of the nominal tensile strength. For detailed information and correct calculation of effective tensile force refer to the Calculation Guide in the HabasitLINK® Engineering Guidelines.

Description

- 0% open area
- Solid plate
- Belt with extra grip, exact positioning
- Standard indent 37.5 mm (1.5")
- Open hinge, easy to clean
- Rod diameter 7 mm (0.27")
- Food approved materials

Available accessories

- Flights and scoops
- Sideguards
- Hold down devices



Belt data

Belt material		PP		POM	
Rod material		PP	PA	PE	PA
Nominal tensile strength F'_N straight run	N/m	18000	18000	18000	30000
	lb/ft	1233	1233	1233	2055
Temperature range	°C	5 - 105	5 - 105	-40 - 65	-40 - 93
	°F	40 - 220	40 - 220	-40 - 150	-40 - 200
Belt weight m_B	kg/m ²	9.1	9.1	13.7	13.7
	lb/sqft	1.87	1.87	2.81	2.81

Diameter of idling rollers (minimum)		Diameter of support rollers (minimum)		Diameter for gravity take-up and center drive rollers (minimum)		Backbending radius for elevators without sideguards or hold down devices (minimum)		Backbending radius for elevators with sideguards or hold down devices (minimum)	
mm	inch	mm	inch	mm	inch	mm	inch	mm	inch
90	3.5	100	4	150	6	150	6	250	10

Use the largest possible backbending radius for elevators with side guards or hold down devices.

Standard range of belt widths b_0

mm (nom.)	225	300	375	450	525	600	675	750	825	900	975	1050	1125	1200	etc.
inch (nom.)	9	12	15	18	21	24	27	30	33	36	39	42	45	48	etc.

Real belt widths are in most cases 0.1% to 0.3% smaller.

Standard belt widths in increments of 75 mm (3"). Non-standard widths are offered in increments of 18.75 mm (0.74"). Smallest possible width 112.5 mm (4.42").

For detailed material properties refer to pages 276 - 281 or contact your Habasit representative.

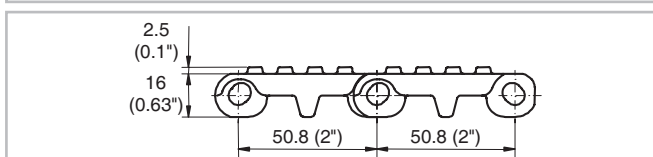
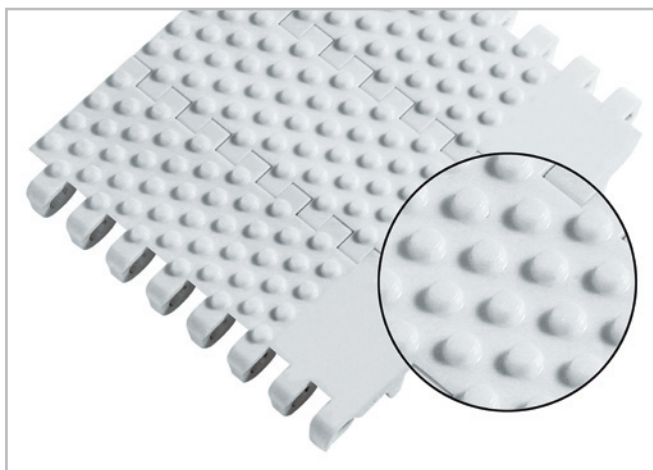
The nominal tensile strength is valid for 23 °C (73 °F). The admissible tensile force depends on the operating temperature near the drive sprockets. Within the temperature range allowed, the admissible tensile force may vary from 100% to 20% of the nominal tensile strength. For detailed information and correct calculation of effective tensile force refer to the Calculation Guide in the HabasitLINK® Engineering Guidelines.

Description

- 0% open area
- Solid plate
- Non-adhesive because of less contact surface
- Open hinge, easy to clean
- Standard indent 37.5 mm (1.5")
- Rod diameter 7 mm (0.27")
- Food approved materials

Available accessories

- Flights and scoops
- Sideguards
- Hold down devices



Belt data

Belt material		PP		PE		POM	
Rod material		PP	PA	PE	PA	PE	PA
Nominal tensile strength F'_N straight run	N/m	18000	18000	10000	10000	18000	30000
	lb/ft	1233	1233	685	685	1233	2055
Temperature range	°C	5 - 105	5 - 105	-70 - 65	-46 - 65	-40 - 65	-40 - 93
	°F	40 - 220	40 - 220	-94 - 150	-50 - 150	-40 - 150	-40 - 200
Belt weight m_B	kg/m ²	9.2	9.2	9.6	9.6	13.9	13.9
	lb/sqft	1.89	1.89	1.97	1.97	2.85	2.85

Diameter of idling rollers (minimum)		Diameter of support rollers (minimum)		Diameter for gravity take-up and center drive rollers (minimum)		Backbending radius for elevators without sideguards or hold down devices (minimum)		Backbending radius for elevators with sideguards or hold down devices (minimum)	
mm	inch	mm	inch	mm	inch	mm	inch	mm	inch
90	3.5	100	4	150	6	150	6	250	10

Use the largest possible backbending radius for elevators with side guards or hold down devices.

Standard range of belt widths b_0

mm (nom.)	225	300	375	450	525	600	675	750	825	900	975	1050	1125	1200	etc.
inch (nom.)	9	12	15	18	21	24	27	30	33	36	39	42	45	48	etc.

Real belt widths are in most cases 0.1% to 0.3% smaller.

Standard belt widths in increments of 75 mm (3"). Non-standard widths are offered in increments of 18.75 mm (0.74"). Smallest possible width 112.5 mm (4.42").

For detailed material properties refer to pages 276 - 281 or contact your Habasit representative.

The nominal tensile strength is valid for 23 °C (73 °F). The admissible tensile force depends on the operating temperature near the drive sprockets. Within the temperature range allowed, the admissible tensile force may vary from 100% to 20% of the nominal tensile strength. For detailed information and correct calculation of effective tensile force refer to the Calculation Guide in the HabasitLINK® Engineering Guidelines.

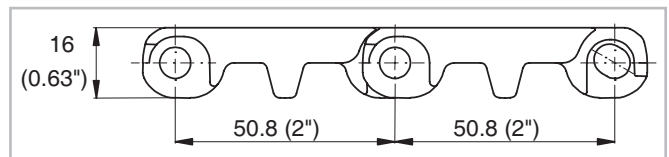
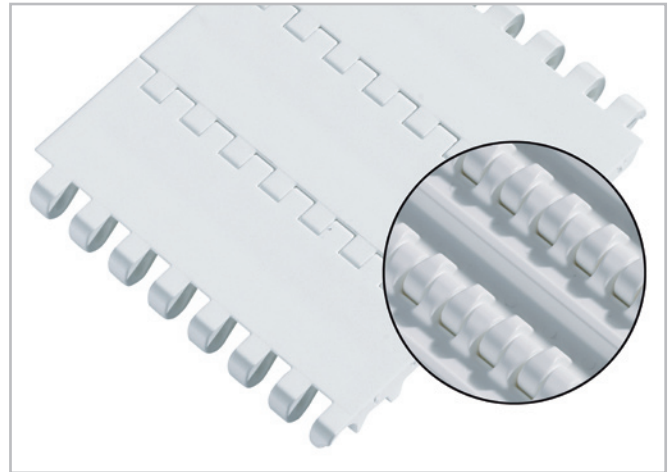
HabasitLINK® Straight 2" Pitch Belting M5015 Flat Top 2"

Description

- 0% open area
- Solid plate
- Dynamic hinge gap for easy release of debris and ice
- Strong link design, for ski lift applications as well as for food and material handling
- Rod diameter 7 mm (0.27")
- Food approved materials

Available accessories

- Center hold down device
- Flights and scoops
- Sideguards
- GripTop modules



Belt data

Belt material		PP			PE	POM	
Rod material		PP	POM	PA	PE	PBT	PA
Nominal tensile strength F'_N straight run	N/m	29000	31000	31000	18000	38000	53000
	lb/ft	1987	2124	2124	1233	2603	3631
Temperature range	°C	5 - 105	5 - 93	5 - 105	-70 - 65	-40 - 93	-40 - 93
	°F	40 - 220	40 - 200	40 - 220	-94 - 150	-40 - 200	-40 - 200
Belt weight m_B	kg/m ²	9.9	9.9	9.9	10.4	14.9	14.9
	lb/sqft	2.03	2.03	2.03	2.13	3.05	3.05

Belt material		POM +UV			
Rod material		PA		PBT	
Nominal tensile strength F'_N straight run	N/m	42400		30400	
	lb/ft	2904		2082	
Temperature range	°C	-40 - 93		-40 - 93	
	°F	-40 - 200		-40 - 200	
Belt weight m_B	kg/m ²	14.9		14.9	
	lb/sqft	3.05		3.05	

Diameter of idling rollers (minimum)		Diameter of support rollers (minimum)		Diameter for gravity take-up and center drive rollers (minimum)		Backbending radius for elevators without sideguards or hold down devices (minimum)		Backbending radius for elevators with sideguards or hold down devices (minimum)	
mm	inch	mm	inch	mm	inch	mm	inch	mm	inch
90	3.5	100	4	150	6	150	6	250	10

Use the largest possible backbending radius for elevators with side guards or hold down devices.

Standard range of belt widths b_0

mm (nom.)	75	150	225	300	375	450	525	600	675	750	825	900	975	etc.
Zoll (nom.)	3	6	9	12	15	18	21	24	27	30	33	36	39	etc.

Real belt widths are in most cases 0.1% to 0.3% smaller.

HabasitLINK® Straight 2" Pitch Belting M5015 Flat Top 2"

Standard belt widths in increments of 75 mm (3"). Non-standard widths are offered in increments of 18.75 mm (0.74"). Non-bricklaid belts 75 mm (3") and 150 mm (6").

For detailed material properties refer to pages 276 - 281 or contact your Habasit representative.

The nominal tensile strength is valid for 23 °C (73 °F). The admissible tensile force depends on the operating temperature near the drive sprockets. Within the temperature range allowed, the admissible tensile force may vary from 100% to 20% of the nominal tensile strength. For detailed information and correct calculation of effective tensile force refer to the Calculation Guide in the HabasitLINK® Engineering Guidelines.

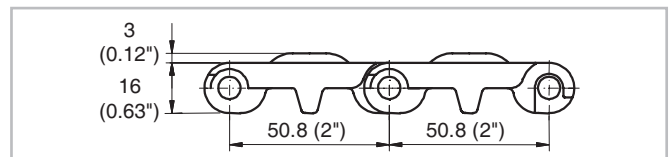
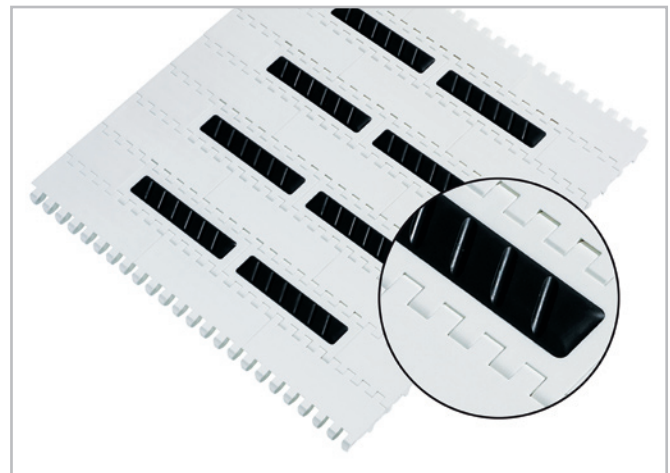
HabasitLINK® Straight 2" Pitch Belting M5015 GripTop 2"

Description

- 0% open area
- Solid plate
- Dynamic hinge gap for easy release of debris and ice
- Strong link design, for ski lift applications as well as material handling
- Food approved materials
- Rod diameter 7 mm (0.27")

Available accessories

- Center hold down device
- Sideguards



Belt data

Belt material		PP			POM	
GripTop material		TPE				
Rod material		PP	POM	PA	PBT	PA
Nominal tensile strength F_N^1 straight run	N/m lb/ft	29000 1987	31000 2124	31000 2124	38000 2603	53000 3631
Temperature range	°C	5 - 60	5 - 60	5 - 60	-40 - 60	-40 - 60
	°F	40 - 140	40 - 140	40 - 140	-40 - 140	-40 - 140
Belt weight m_B	kg/m ²	9.9	9.9	9.9	14.9	14.9
	lb/sqft	2.03	2.03	2.03	3.05	3.05

Belt material		POM +UV			
GripTop material		TPU +UV			
Rod material		PBT		PA	
Nominal tensile strength F_N^1 straight run	N/m lb/ft	30400 2082		42400 2904	
Temperature range	°C	-30 - 50		-30 - 50	
	°F	-22 - 120		-22 - 120	
Belt weight m_B	kg/m ²	14.9		14.9	
	lb/sqft	3.05		3.05	

Diameter of idling rollers (minimum)		Diameter of support rollers (minimum)		Diameter for gravity take-up and center drive rollers (minimum)		Backbending radius for elevators without sideguards or hold down devices (minimum)		Backbending radius for elevators with sideguards or hold down devices (minimum)	
mm	inch	mm	inch	mm	inch	mm	inch	mm	inch
90	3.5	100	4	150	6	150	6	250	10

Use the largest possible backbending radius for elevators with side guards or hold down devices.

Standard range of belt widths b_0

mm (nom.)	300	375	450	525	600	675	750	825	900	975	1050	1125	1200	etc.
inch (nom.)	12	15	18	21	24	27	30	33	36	39	42	45	48	etc.

Real belt widths are in most cases 0.1% to 0.3% smaller.

HabasitLINK® Straight 2" Pitch Belting M5015 GripTop 2"

Standard belt widths in increments of 75 mm (3"). Non-standard widths are offered in increments of 18.75 mm (0.74"). Smallest possible width 225 mm (9"). Non-bricklaid belts without indent 150 mm (6") wide.

For detailed material properties refer to pages 276 - 281 or contact your Habasit representative.

The nominal tensile strength is valid for 23 °C (73 °F). The admissible tensile force depends on the operating temperature near the drive sprockets. Within the temperature range allowed, the admissible tensile force may vary from 100% to 20% of the nominal tensile strength. For detailed information and correct calculation of effective tensile force refer to the Calculation Guide in the HabasitLINK® Engineering Guidelines.

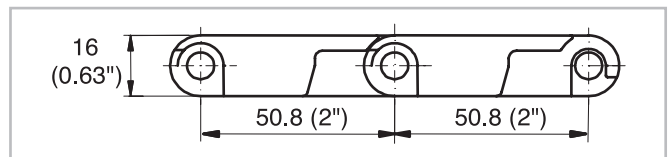
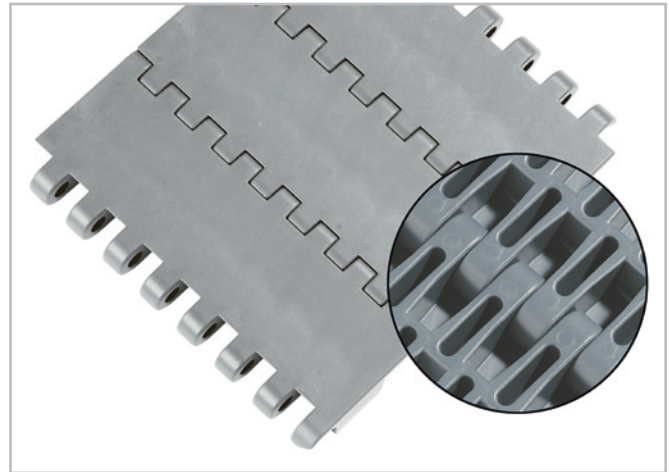
HabasitLINK® Straight 2" Pitch Belting M5020 Flat Top Heavy Duty 2"

Description

- 0% open area
- Extremely stiff
- Closed hinge
- Food approved materials
- Rod diameter 7 mm (0.27")

Available accessories

- Flights and scoops
- Sideguards
- Hold down devices
- GripTop modules



Belt data

Belt material		PP	PE	POM	
Rod material		PP	PE	PP	PA
Nominal tensile strength F'_N straight run	N/m	34000	24000	35000	60000
	lb/ft	2329	1644	2398	4110
Temperature range	°C	5 - 105	-70 - 65	5 - 93	-40 - 93
	°F	40 - 220	-94 - 150	40 - 200	-40 - 200
Belt weight m_B	kg/m ²	8.7	9.3	13.5	13.5
	lb/sqft	1.78	1.90	2.77	2.77

Diameter of idling rollers (minimum)		Diameter of support rollers (minimum)		Diameter for gravity take-up and center drive rollers (minimum)		Backbending radius for elevators without sideguards or hold down devices (minimum)		Backbending radius for elevators with sideguards or hold down devices (minimum)	
mm	inch	mm	inch	mm	inch	mm	inch	mm	inch
90	3.5	100	4	150	6	150	6	250	10

Use the largest possible backbending radius for elevators with side guards or hold down devices.

Standard range of belt widths b_0

mm (nom.)	225	300	375	450	525	600	675	750	825	900	975	1050	1125	1200	etc.
inch (nom.)	9	12	15	18	21	24	27	30	33	36	39	42	45	48	etc.

Real belt widths are in most cases 0.1% to 0.3% smaller.

Standard belt widths in increments of 75 mm (3"). Non-standard widths are offered in increments of 18.75 mm (0.74"). Non-bricklaid belts 75 mm (3") and 150 mm (6").

For detailed material properties refer to pages 276 - 281 or contact your Habasit representative.

The nominal tensile strength is valid for 23 °C (73 °F). The admissible tensile force depends on the operating temperature near the drive sprockets. Within the temperature range allowed, the admissible tensile force may vary from 100% to 20% of the nominal tensile strength. For detailed information and correct calculation of effective tensile force refer to the Calculation Guide in the HabasitLINK® Engineering Guidelines.

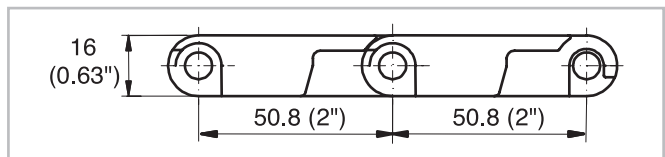
HabasitLINK® Straight 2" Pitch Belting M5021 Perforated Flat Top 2"

Description

- 25% open area, 25% open contact area, largest opening 3x19.5 mm (0.11"x0.77")
- Closed hinge
- Rod diameter 7 mm (0.27")
- "Open window" sprockets
- Food approved materials

Available accessories

- Flights straight and scoops (flight bent)
- Sideguards
- Hold down devices
- GripTop modules



Belt data

Belt material		PP	PE
Rod material		PP	PE
Nominal tensile strength F'_N straight run	N/m	30000	20000
	lb/ft	2056	1370
Temperature range	°C	5 - 105	-70 - 65
	°F	40 - 220	-94 - 150
Belt weight m_B	kg/m ²	8.4	8.8
	lb/sqft	1.72	1.80

Diameter of idling rollers (minimum)		Diameter of support rollers (minimum)		Diameter for gravity take-up and center drive rollers (minimum)		Backbending radius for elevators without sideguards or hold down devices (minimum)		Backbending radius for elevators with sideguards or hold down devices (minimum)	
mm	inch	mm	inch	mm	inch	mm	inch	mm	inch
90	3.5	100	4	150	6	150	6	250	10

Use the largest possible backbending radius for elevators with side guards or hold down devices.

Standard range of belt widths b_0

mm (nom.)	75	150	225	300	375	450	525	600	675	750	825	900	975	etc.
inch (nom.)	3	6	9	12	15	18	21	24	27	30	33	36	39	etc.

Real belt widths are in most cases 0.1% to 0.3% smaller.

Standard belt widths in increments of 75 mm (3"). Non-standard widths are offered in increments of 18.75 mm (0.74"). Smallest possible width 112.5 mm (4.42"). Non-bricklaid belts 75 mm (3") and 150 mm (6") wide.

For detailed material properties refer to pages 276 - 281 or contact your Habasit representative.

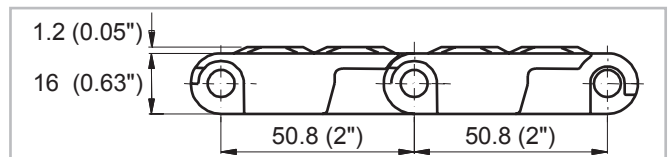
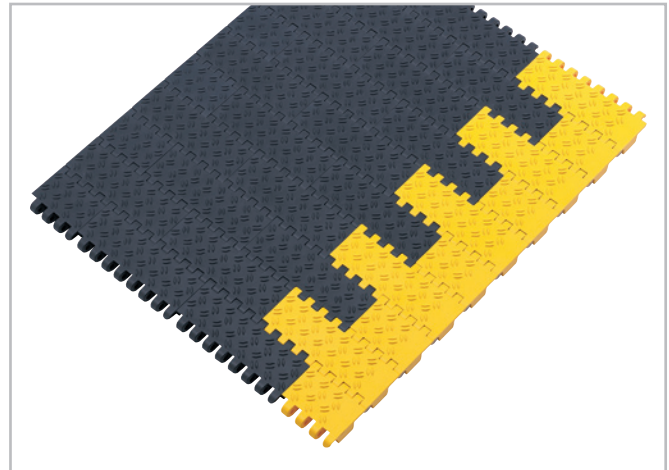
The nominal tensile strength is valid for 23 °C (73 °F). The admissible tensile force depends on the operating temperature near the drive sprockets. Within the temperature range allowed, the admissible tensile force may vary from 100% to 20% of the nominal tensile strength. For detailed information and correct calculation of effective tensile force refer to the Calculation Guide in the HabasitLINK® Engineering Guidelines.

Description

- 0% open area
- Extremely stiff
- Closed hinge
- Safe Non Slip profile for people mover applications
- Rod diameter 7 mm (0.27")
- Standard belt material is antistatic
- Conductive materials available
- Also available with pattern free indent 19 mm (0.75")

Available accessories

- Hold down devices



Belt data

Belt material		PP +AS	POM +AS	
Rod material		PA	PP	PA
Nominal tensile strength F'_N straight run	N/m	35000	33000	56000
	lb/ft	2398	2261	3836
Temperature range	°C	5 - 105	5 - 93	-40 - 93
	°F	40 - 220	40 - 200	-40 - 200
Belt weight m_B	kg/m ²	9.0	13.8	13.8
	lb/sqft	1.85	2.83	2.83

Diameter of idling rollers (minimum)		Diameter of support rollers (minimum)		Diameter for gravity take-up and center drive rollers (minimum)		Backbending radius for elevators without sideguards or hold down devices (minimum)		Backbending radius for elevators with sideguards or hold down devices (minimum)	
mm	inch	mm	inch	mm	inch	mm	inch	mm	inch
90	3.5	100	4	150	6	150	6	250	10

Use the largest possible backbending radius for elevators with side guards or hold down devices.

Standard range of belt widths b_0

mm (nom.)	225	300	375	450	525	600	675	750	825	900	975	1050	1125	1200	etc.
inch (nom.)	9	12	15	18	21	24	27	30	33	36	39	42	45	48	etc.

Real belt widths are in most cases 0.1% to 0.3% smaller.

Standard belt widths in increments of 75 mm (3"). Non-standard widths are offered in increments of 18.75 mm (0.74"). Non-bricklaid belts 75 mm (3") and 150 mm (6").

For detailed material properties refer to pages 276 - 281 or contact your Habasit representative.

The nominal tensile strength is valid for 23 °C (73 °F). The admissible tensile force depends on the operating temperature near the drive sprockets. Within the temperature range allowed, the admissible tensile force may vary from 100% to 20% of the nominal tensile strength. For detailed information and correct calculation of effective tensile force refer to the Calculation Guide in the HabasitLINK® Engineering Guidelines.

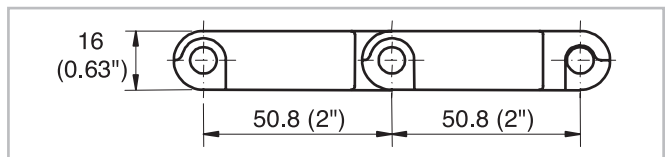
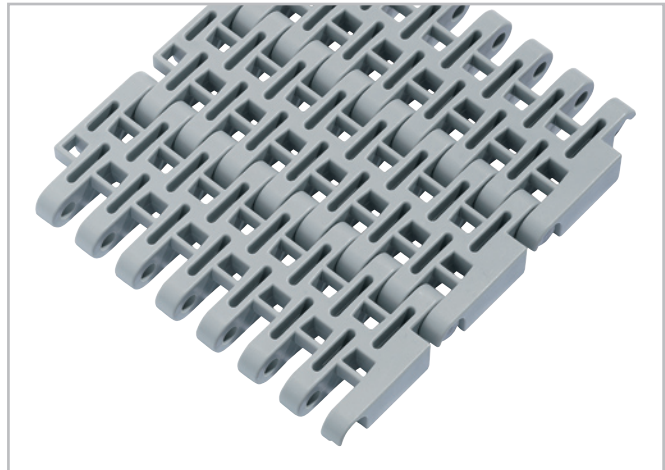
HabasitLINK® Straight 2" Pitch Belting M5032 Flush Grid Heavy Duty 2"

Description

- Strong design
- 34% open area; 60% open contact area; largest opening 6.4x8.5 mm (0.25"x0.33")
- Excellent for flushing and draining
- Closed hinge
- Food approved materials
- Rod diameter 7 mm (0.27")

Available accessories

- Flights and scoops
- Sideguards
- Hold down devices
- GripTop modules



Belt data

Belt material		PP		PE	POM	
Rod material		PP	POM	PE	PP	PA
Nominal tensile strength F'_N straight run	N/m	36000	38000	24000	36000	55000
	lb/ft	2466	2603	1644	2466	3768
Temperature range	°C	5 - 105	5 - 93	-70 - 65	5 - 93	-40 - 93
	°F	40 - 220	40 - 200	-94 - 150	40 - 200	-40 - 200
Belt weight m_B	kg/m ²	8.0	8.0	8.3	12.0	12.0
	lb/sqft	1.64	1.64	1.70	2.46	2.46

Diameter of idling rollers (minimum)		Diameter of support rollers (minimum)		Diameter for gravity take-up and center drive rollers (minimum)		Backbending radius for elevators without sideguards or hold down devices (minimum)		Backbending radius for elevators with sideguards or hold down devices (minimum)	
mm	inch	mm	inch	mm	inch	mm	inch	mm	inch
90	3.5	100	4	150	6	150	4	250	10

Use the largest possible backbending radius for elevators with side guards or hold down devices.

Standard range of belt widths b_0

mm (nom.)	225	300	375	450	525	600	675	750	825	900	975	1050	1125	1200	etc.
inch (nom.)	9	12	15	18	21	24	27	30	33	36	39	42	45	48	etc.

Real belt widths are in most cases 0.1% to 0.3% smaller.

Standard belt widths in increments of 75 mm (3"). Non-standard widths are offered in increments of 18.75 mm (0.74"). Smallest possible width 112.5 mm (4.42").

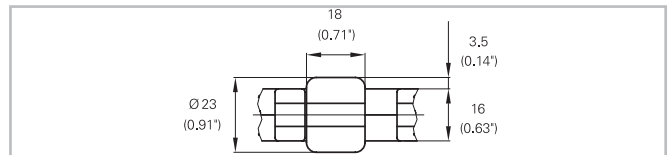
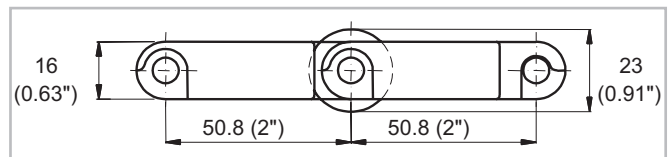
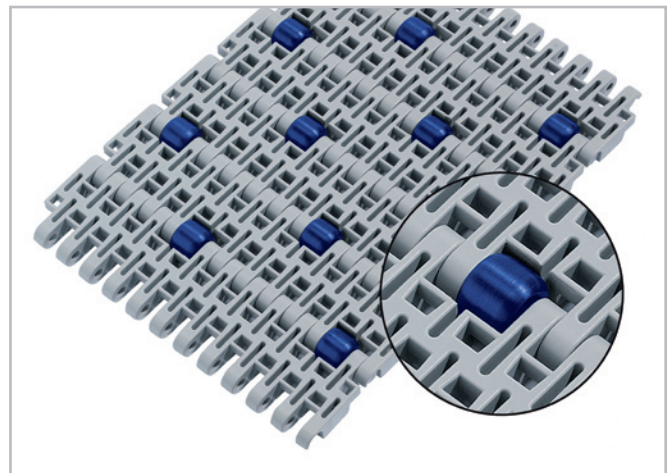
For detailed material properties refer to pages 276 - 281 or contact your Habasit representative.

The nominal tensile strength is valid for 23 °C (73 °F). The admissible tensile force depends on the operating temperature near the drive sprockets. Within the temperature range allowed, the admissible tensile force may vary from 100% to 20% of the nominal tensile strength. For detailed information and correct calculation of effective tensile force refer to the Calculation Guide in the HabasitLINK® Engineering Guidelines.

HabasitLINK® Straight 2" Pitch Belting M5032 Roller Top 2"

Description

- Strong design
- 33 % open area; largest opening 6.4x8.5 mm (0.25"x0.33")
- Rollers row spacing 50.8 mm (2")
- For low back pressure, wearstrips are placed between rollers
- For product driven application wearstrips are placed directly under the rollers
- Excellent for flushing and draining
- Closed hinge
- Food approved materials
- Rod diameter 7 mm (0.27")



Belt data

Belt material		PP				POM	
Rod material		PP		PA			
Roller material		POM					
Roller lateral spacing per row	mm / inch	112 / 4.4	150 / 6	112 / 4.4	150 / 6	112 / 4.4	150 / 6
Roller offset next row	mm / inch	56 / 2.2	75 / 3	56 / 2.2	75 / 3	56 / 2.2	75 / 3
Roller dimension diameter / width	mm / inch	Ø 23 / 18	Ø 23 / 18	Ø 23 / 18	Ø 23 / 18	Ø 23 / 18	Ø 23 / 18
Nominal tensile strength F_N straight run	N/m / lb/ft	24000 / 1644	27000 / 1850	25000 / 1712	28000 / 1918	36000 / 2446	41000 / 2809
Temperature range	°C / °F	5 - 93 / 40 - 200	5 - 93 / 40 - 200	5 - 93 / 40 - 200	5 - 93 / 40 - 200	-40 - 93 / -40 - 200	-40 - 93 / -40 - 200
Belt weight m_B	kg/m ² / lb/sqft	8.0 / 1.64	8.0 / 1.64	8.0 / 1.64	8.0 / 1.64	12.0 / 2.46	12.0 / 2.46

Diameter of idling rollers (minimum)		Diameter of support rollers (minimum)		Diameter for gravity take-up and center drive rollers (minimum)		Backbending radius for elevators without sideguards or hold down devices (minimum)		Backbending radius for elevators with sideguards or hold down devices (minimum)	
mm	inch	mm	inch	mm	inch	mm	inch	mm	inch
90	3.5	100	4	150	6	150	6	250	10

Use the largest possible backbending radius for elevators with side guards or hold down devices.

Standard range of belt widths b_0 and free edge

Belt width (mm) (nom.)	225	300	375	450	525	600	675	750	825	900	975	1050	etc.
Belt width (inch) (nom.)	9	12	15	18	21	24	27	30	33	36	39	42	etc.
Roller lateral spacing per row 112.5 mm / offset next row 56.25 mm													
Free edge (mm)	19/19	19/37	19/55	19/19	19/37	19/55	19/19	19/37	19/55	19/19	19/37	19/55	etc.
Free edge (inch)	0.7/0.7	0.7/1.5	0.7/2.2	0.7/0.7	0.7/1.5	0.7/2.2	0.7/0.7	0.7/1.5	0.7/2.2	0.7/0.7	0.7/1.5	0.7/2.2	etc.
Sprocket offset (mm)	0	18.75	-18.75	0	18.75	-18.75	0	18.75	-18.75	0	18.75	-18.75	etc.
Sprocket offset (inch)	0	0.74	-0.74	0	0.74	-0.74	0	0.74	-0.74	0	0.74	-0.74	etc.
Sprockets	3	4	6	7	8	10	11	12	14	15	16	18	etc.
Rollers (2 rows)	4	5	6	8	9	10	12	13	14	16	17	18	etc.
Roller lateral spacing per row 150 mm / offset next row 75 mm													
Free edge (mm)	28	28	28	28	28	28	28	28	28	28	28	28	etc.
Free edge (inch)	1.1	1.1	1.1	1.1	1.1	1.1	1.1	1.1	1.1	1.1	1.1	1.1	etc.
Sprocket offset (mm)	37.5	0	37.5	0	37.5	0	37.5	0	37.5	0	37.5	0	etc.
Sprocket offset (inch)	1.5	0	1.5	0	1.5	0	1.5	0	1.5	0	1.5	0	etc.
Sprockets	2	3	4	5	6	7	8	9	10	11	12	13	etc.
Rollers (2 rows)	3	4	5	6	7	8	9	10	11	12	13	14	etc.

Real belt widths are in most cases 0.1% to 0.3% smaller.

Standard belt widths in increments of 75 mm (3"). Smallest possible width 225 mm (9").

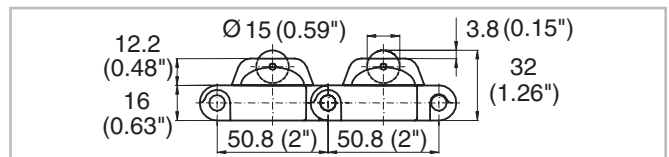
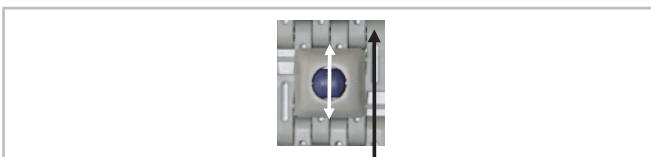
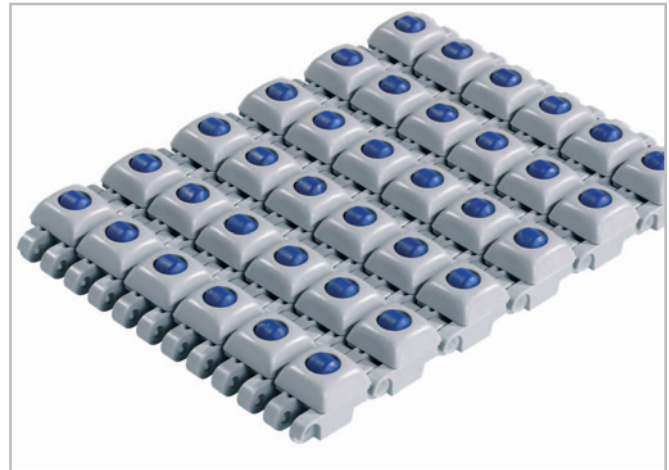
For detailed material properties refer to pages 276 - 281 or contact your Habasit representative.

The nominal tensile strength is valid for 23 °C (73 °F). The admissible tensile force depends on the operating temperature near the drive sprockets. Within the temperature range allowed, the admissible tensile force may vary from 100% to 20% of the nominal tensile strength. For detailed information and correct calculation of effective tensile force refer to the Calculation Guide in the HabasitLINK® Engineering Guidelines.

HabasitLINK® Straight 2" Pitch Belting M5032 Roller Top - 0° 2"

Description

- Rollers oriented in longitudinal direction for low back pressure applications and product accumulation
- Low friction POM roller on solid steel pin
- Strong design, with strong retaining of the roller
- Roller protected against overload or impact
- Min. roller distance longitudinal every 50.8 mm (2") possible
- Min. roller distance transversal every 37.5 mm (1.5") possible
- Customized roller pattern possible
- Replacement of single rollers possible
- Closed hinge
- Rod diameter 7 mm (0.27")



Belt data

Belt material		PP	
Rod material		PP	POM
Roller material		POM	
Nominal tensile strength F_N straight run	N/m lb/ft	36000 2466	38000 2603
Temperature range	°C °F	5 - 93 40 - 200	5 - 93 40 - 200
Belt weight m_B	kg/m ² lb/sqft	17.7 3.63	17.7 3.63

Belt weight m_B , 50% rollers: 12.9 kg/m²; 2.65 lb/sqft

Diameter of idling rollers (minimum)		Diameter of support rollers (minimum)		Diameter for gravity take-up and center drive rollers (minimum)		Backbending radius for elevators without sideguards or hold down devices (minimum)		Backbending radius for elevators with sideguards or hold down devices (minimum)	
mm	inch	mm	inch	mm	inch	mm	inch	mm	inch
90	3.5	100	4	150	6	150	6	250	10

Use the largest possible backbending radius for elevators with side guards or hold down devices.

Standard range of belt widths b_0

mm (nom.)	225	300	375	450	525	600	675	750	825	900	975	1050	1125	1200	etc.
inch (nom.)	9	12	15	18	21	24	27	30	33	36	39	42	45	48	etc.

Real belt widths are in most cases 0.1% to 0.3% smaller.

Standard belt widths in increments of 75 mm (3"). Non-standard widths are offered in increments of 18.75 mm (0.74"). Smallest possible width 112.5 mm (4.42").

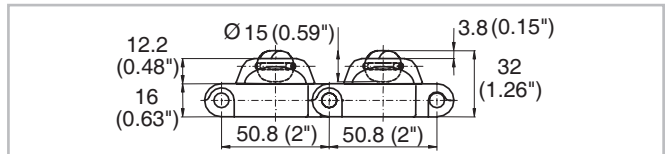
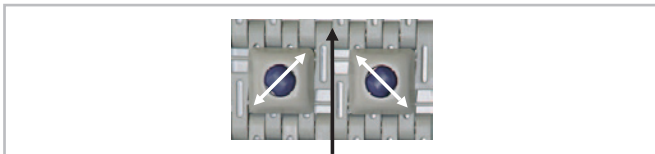
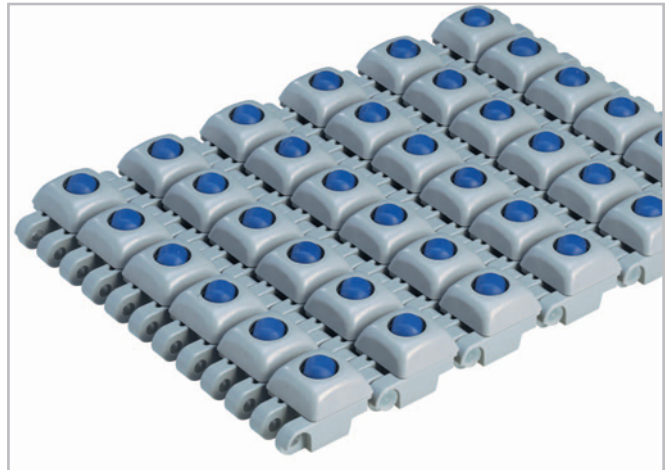
For detailed material properties refer to pages 276 - 281 or contact your Habasit representative.

The nominal tensile strength is valid for 23 °C (73 °F). The admissible tensile force depends on the operating temperature near the drive sprockets. Within the temperature range allowed, the admissible tensile force may vary from 100% to 20% of the nominal tensile strength. For detailed information and correct calculation of effective tensile force refer to the Calculation Guide in the HabasitLINK® Engineering Guidelines.

HabasitLINK® Straight 2" Pitch Belting M5032 Roller Top - 45° 2"

Description

- Rollers oriented in 45° to the belt running direction
- Low friction POM roller on solid steel pin
- Strong design, with strong retaining of the roller
- Roller protected against overload or impact
- Min. roller distance longitudinal every 50.8 mm (2") possible
- Min. roller distance transversal every 37.5 mm (1.5") possible
- Customized roller pattern possible
- Replacement of single rollers possible
- Closed hinge
- Rod diameter 7 mm (0.27")



Belt data

Belt material		PP	
Rod material		PP	POM
Roller material		POM	
Nominal tensile strength F'_N	N/m lb/ft	36000 2466	38000 2603
Temperature range	°C °F	5 - 93 40 - 200	5 - 93 40 - 200
Belt weight m_B	kg/m ² lb/sqft	17.7 3.63	17.7 3.63

Belt weight m_B , 50% rollers: 12.9 kg/m²; 2.65 lb/sqft

Diameter of idling rollers (minimum)		Diameter of support rollers (minimum)		Diameter for gravity take-up and center drive rollers (minimum)		Backbending radius for elevators without sideguards or hold down devices (minimum)		Backbending radius for elevators with sideguards or hold down devices (minimum)	
mm	inch	mm	inch	mm	inch	mm	inch	mm	inch
90	3.5	100	4	150	6	150	6	250	10

Use the largest possible backbending radius for elevators with side guards or hold down devices.

Standard range of belt widths b_0

mm (nom.)	225	300	375	450	525	600	675	750	825	900	975	1050	1125	1200	etc.
inch (nom.)	9	12	15	18	21	24	27	30	33	36	39	42	45	48	etc.

Real belt widths are in most cases 0.1% to 0.3% smaller.

Standard belt widths in increments of 75 mm (3"). Non-standard widths are offered in increments of 18.75 mm (0.74"). Smallest possible width 112.5 mm (4.42").

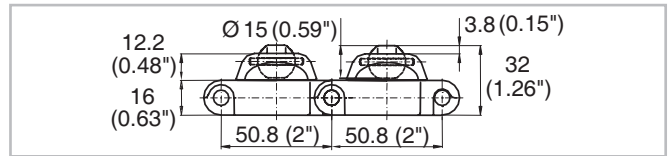
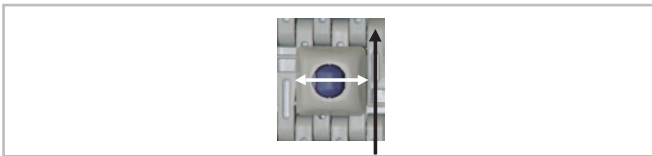
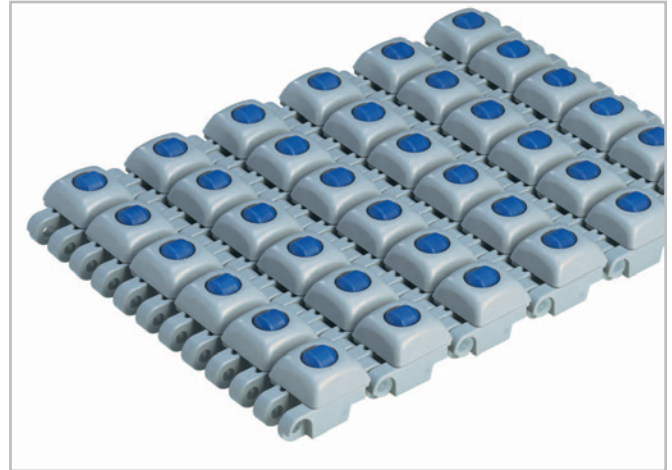
For detailed material properties refer to pages 276 - 281 or contact your Habasit representative.

The nominal tensile strength is valid for 23 °C (73 °F). The admissible tensile force depends on the operating temperature near the drive sprockets. Within the temperature range allowed, the admissible tensile force may vary from 100% to 20% of the nominal tensile strength. For detailed information and correct calculation of effective tensile force refer to the Calculation Guide in the HabasitLINK® Engineering Guidelines.

HabasitLINK® Straight 2" Pitch Belting M5032 Roller Top - 90° 2"

Description

- Rollers oriented in lateral direction for easy transverse movements and side transfers
- Low friction POM roller on solid steel pin
- Strong design, with strong retaining of the roller
- Roller protected against overload or impact
- Min. roller distance longitudinal every 50.8 mm (2") possible
- Min. roller distance transversal every 37.5 mm (1.5") possible
- Customized roller pattern possible
- Replacement of single rollers possible
- Closed hinge
- Rod diameter 7 mm (0.27")



Belt data

Belt material		PP	
Rod material		PP	POM
Roller material		POM	
Nominal tensile strength F_N straight run	N/m lb/ft	36000 2466	38000 2603
Temperature range	°C °F	5 - 93 40 - 200	5 - 93 40 - 200
Belt weight m_B	kg/m ² lb/sqft	17.7 3.63	17.7 3.63

Belt weight m_B , 50% rollers: 12.9 kg/m²; 2.65 lb/sqft

Diameter of idling rollers (minimum)		Diameter of support rollers (minimum)		Diameter for gravity take-up and center drive rollers (minimum)		Backbending radius for elevators without sideguards or hold down devices (minimum)		Backbending radius for elevators with sideguards or hold down devices (minimum)	
mm	inch	mm	inch	mm	inch	mm	inch	mm	inch
90	3.5	100	4	150	6	150	6	250	10

Use the largest possible backbending radius for elevators with side guards or hold down devices.

Standard range of belt widths b_0

mm (nom.)	225	300	375	450	525	600	675	750	825	900	975	1050	1125	1200	etc.
inch (nom.)	9	12	15	18	21	24	27	30	33	36	39	42	45	48	etc.

Real belt widths are in most cases 0.1% to 0.3% smaller.

Standard belt widths in increments of 75 mm (3"). Non-standard widths are offered in increments of 18.75 mm (0.74"). Smallest possible width 112.5 mm (4.42").

For detailed material properties refer to pages 276 - 281 or contact your Habasit representative.

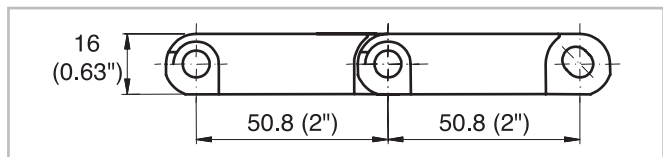
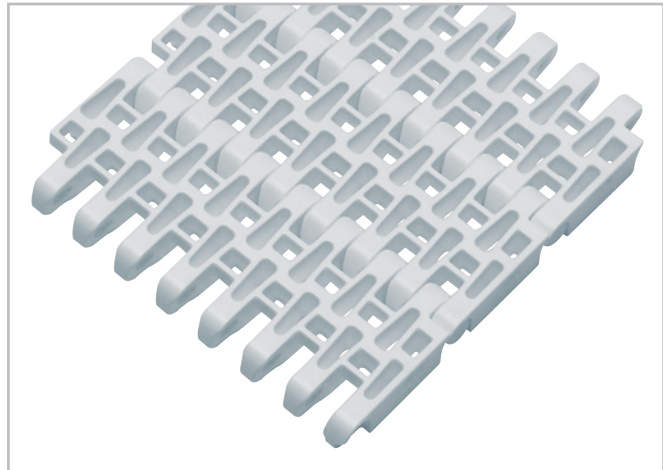
The nominal tensile strength is valid for 23 °C (73 °F). The admissible tensile force depends on the operating temperature near the drive sprockets. Within the temperature range allowed, the admissible tensile force may vary from 100% to 20% of the nominal tensile strength. For detailed information and correct calculation of effective tensile force refer to the Calculation Guide in the HabasitLINK® Engineering Guidelines.

Description

- 37% open area; 55% open contact area; largest opening 6.0x8.5 mm (0.24"x0.33")
- Excellent for cooling and draining
- Open hinge
- Easy to clean
- Food approved materials
- Rod diameter 7 mm (0.27")

Available accessories

- Flights and scoops
- Sideguards
- Hold down devices
- GripTop modules



Belt data

Belt material		PP	PE	POM	
Rod material		PP	PE	PP	PA
Nominal tensile strength F'_N straight run	N/m	26000	18000	30000	35000
	lb/ft	1781	1233	2055	2397
Temperature range	°C	5 - 105	-70 - 65	5 - 93	-40 - 93
	°F	40 - 220	-94 - 150	40 - 200	-40 - 200
Belt weight m_B	kg/m ²	6.8	7.2	10.2	10.2
	lb/sqft	1.39	1.48	2.09	2.09

Diameter of idling rollers (minimum)		Diameter of support rollers (minimum)		Diameter for gravity take-up and center drive rollers (minimum)		Backbending radius for elevators without sideguards or hold down devices (minimum)		Backbending radius for elevators with sideguards or hold down devices (minimum)	
mm	inch	mm	inch	mm	inch	mm	inch	mm	inch
90	3.5	100	4	150	6	150	6	250	10

Use the largest possible backbending radius for elevators with side guards or hold down devices.

Standard range of belt widths b_0

mm (nom.)	225	300	375	450	525	600	675	750	825	900	975	1050	1125	1200	etc.
inch (nom.)	9	12	15	18	21	24	27	30	33	36	39	42	45	48	etc.

Real belt widths are in most cases 0.1% to 0.3% smaller.

Standard belt widths in increments of 75 mm (3"). Non-standard widths are offered in increments of 18.75 mm (0.74"). Smallest possible width 112.5 mm (4.42").

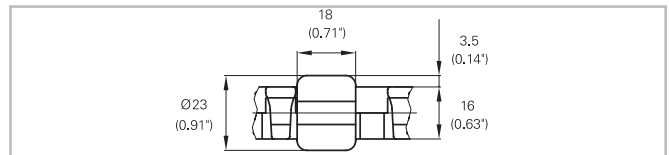
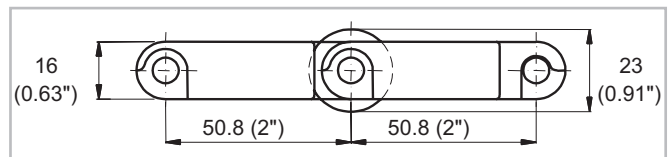
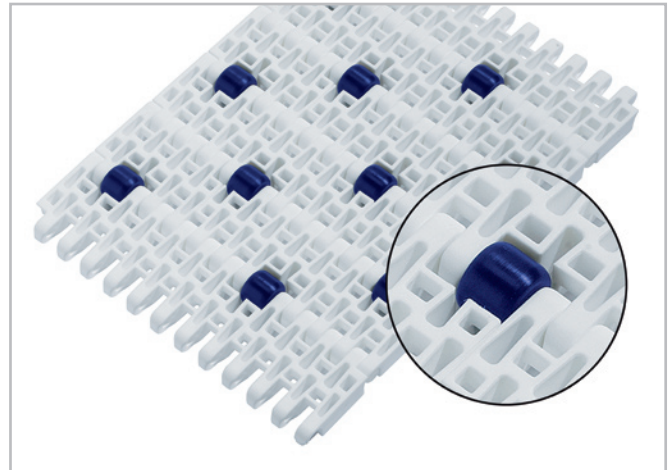
For detailed material properties refer to pages 276 - 281 or contact your Habasit representative.

The nominal tensile strength is valid for 23 °C (73 °F). The admissible tensile force depends on the operating temperature near the drive sprockets. Within the temperature range allowed, the admissible tensile force may vary from 100% to 20% of the nominal tensile strength. For detailed information and correct calculation of effective tensile force refer to the Calculation Guide in the HabasitLINK® Engineering Guidelines.

HabasitLINK® Straight 2" Pitch Belting M5033 Roller Top 2"

Description

- 37 % open area; largest opening 6.0x8.5 mm (0.24"x0.33")
- Roller lateral spacing see table belt data
- Rollers row spacing 50.8 mm (2")
- For low back pressure, wearstrips are placed between rollers
- For product driven application wearstrips are placed directly under the rollers
- Excellent for flushing and draining
- Open hinge
- Food approved materials
- Rod diameter 7 mm (0.27")



Belt data

Belt material		PP				POM	
Rod material		PP		PA			
Roller material		POM					
Roller lateral spacing per row	mm / inch	112 / 4.4	150 / 6	112 / 4.4	150 / 6	112 / 4.4	150 / 6
Roller offset next row	mm / inch	56 / 2.2	75 / 3	56 / 2.2	75 / 3	56 / 2.2	75 / 3
Roller dimension diameter / width	mm / inch	Ø 23 / 18 Ø 0.91 / 0.71	Ø 23 / 18 Ø 0.91 / 0.71	Ø 23 / 18 Ø 0.91 / 0.71	Ø 23 / 18 Ø 0.91 / 0.71	Ø 23 / 18 Ø 0.91 / 0.71	Ø 23 / 18 Ø 0.91 / 0.71
Nominal tensile strength F _N straight run	N/m / lb/ft	17000 / 1165	19000 / 1300	17000 / 1165	19000 / 1300	20000 / 1370	22000 / 1507
Temperature range	°C / °F	5 - 93 / 40 - 200	5 - 93 / 40 - 200	5 - 93 / 40 - 200	5 - 93 / 40 - 200	-40 - 93 / -40 - 200	-40 - 93 / -40 - 200
Belt weight m _B	kg/m ² / lb/sqft	6.8 / 1.39	6.8 / 1.39	6.8 / 1.39	6.8 / 1.39	10.2 / 2.09	10.2 / 2.09

Diameter of idling rollers (minimum)		Diameter of support rollers (minimum)		Diameter for gravity take-up and center drive rollers (minimum)		Backbending radius for elevators without sideguards or hold down devices (minimum)		Backbending radius for elevators with sideguards or hold down devices (minimum)	
mm	inch	mm	inch	mm	inch	mm	inch	mm	inch
90	3.5	100	4	150	6	150	6	250	10

Use the largest possible backbending radius for elevators with side guards or hold down devices.

Standard range of belt widths b_0 and free edge

Belt width (mm) (nom.)	225	300	375	450	525	600	675	750	825	900	975	1050	etc.
Belt width (inch) (nom.)	9	12	15	18	21	24	27	30	33	36	39	42	etc.
Roller lateral spacing per row 112.5 mm / offset next row 56.25 mm													
Free edge (mm)	19/19	19/37	19/55	19/19	19/37	19/55	19/19	19/37	19/55	19/19	19/37	19/55	etc.
Free edge (inch)	0.7/0.7	0.7/1.5	0.7/2.2	0.7/0.7	0.7/1.5	0.7/2.2	0.7/0.7	0.7/1.5	0.7/2.2	0.7/0.7	0.7/1.5	0.7/2.2	etc.
Sprocket offset (mm)	0	18.75	-18.75	0	18.75	-18.75	0	18.75	-18.75	0	18.75	-18.75	etc.
Sprocket offset (inch)	0	0.74	-0.74	0	0.74	-0.74	0	0.74	-0.74	0	0.74	-0.74	etc.
Sprockets	3	4	6	7	8	10	11	12	14	15	16	18	etc.
Rollers (2 rows)	4	5	6	8	9	10	12	13	14	16	17	18	etc.
Roller lateral spacing per row 150 mm / offset next row 75 mm													
Free edge (mm)	28	28	28	28	28	28	28	28	28	28	28	28	etc.
Free edge (inch)	1.1	1.1	1.1	1.1	1.1	1.1	1.1	1.1	1.1	1.1	1.1	1.1	etc.
Sprocket offset (mm)	37.5	0	37.5	0	37.5	0	37.5	0	37.5	0	37.5	0	etc.
Sprocket offset (inch)	1.5	0	1.5	0	1.5	0	1.5	0	1.5	0	1.5	0	etc.
Sprockets	2	3	4	5	6	7	8	9	10	11	12	13	etc.
Rollers (2 rows)	3	4	5	6	7	8	9	10	11	12	13	14	etc.

Real belt widths are in most cases 0.1% to 0.3% smaller.

Standard belt widths in increments of 75 mm (3"). Smallest possible width 225 mm (9").

For detailed material properties refer to pages 276 - 281 or contact your Habasit representative.

The nominal tensile strength is valid for 23 °C (73 °F). The admissible tensile force depends on the operating temperature near the drive sprockets. Within the temperature range allowed, the admissible tensile force may vary from 100% to 20% of the nominal tensile strength. For detailed information and correct calculation of effective tensile force refer to the Calculation Guide in the HabasitLINK® Engineering Guidelines.

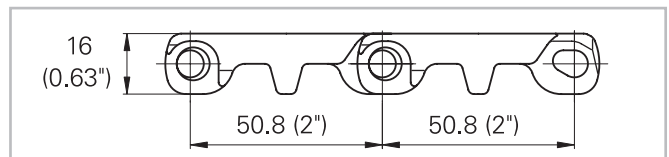
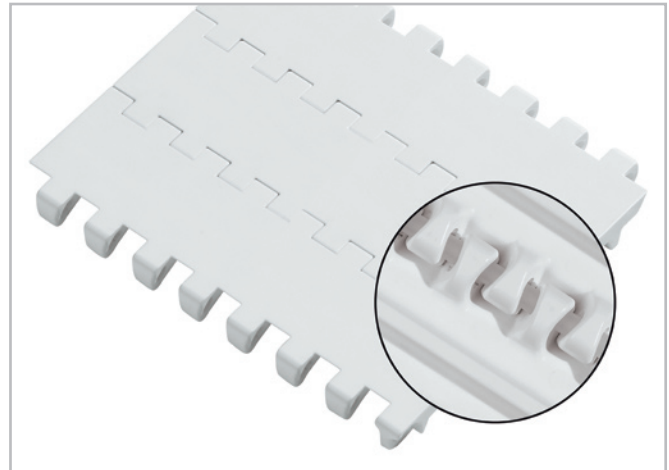
HabasitLINK® Straight 2" Pitch Belting M5060 Flat Top 2"

Description

- 0% open area
- Solid plate
- Imperial belt width
- Dynamic open hinge, easy to clean
- Strong link design (1" link-pitch)
- Rod diameter 7 mm (0.27")
- Smart Fit rod retention
- Food approved materials

Available accessories

- Flights



Belt data

Belt material		PP		PE	
Rod material		PP	PA	PE	PA
Nominal tensile strength F_N^1 straight run	N/m	18000	22000	8000	10000
	lb/ft	1233	1507	548	685
Temperature range	°C	5 - 105	5 - 105	-70 - 65	-46 - 65
	°F	40 - 220	40 - 220	-94 - 150	-50 - 150
Belt weight m_B	kg/m ²	8.8	8.8	9.1	9.1
	lb/sqft	1.8	1.8	1.86	1.86

Belt material		POM		POM +IM	
Rod material		PE	PA	PE	PA
Nominal tensile strength F_N^1 straight run	N/m	14000	30000	14000	30000
	lb/ft	959	2055	959	2055
Temperature range	°C	-40 - 65	-40 - 93	-40 - 65	-40 - 93
	°F	-40 - 150	-40 - 200	-40 - 150	-40 - 200
Belt weight m_B	kg/m ²	13.1	13.1	13.1	13.1
	lb/sqft	2.68	2.68	2.68	2.68

Diameter of idling rollers (minimum)		Diameter of support rollers (minimum)		Diameter for gravity take-up and center drive rollers (minimum)		Backbending radius for elevators without side- guards or hold down devices (minimum)		Backbending radius for elevators with sideguards or hold down devices (minimum)	
mm	inch	mm	inch	mm	inch	mm	inch	mm	inch
90	3.5	100	4	150	6	150	6	250	10

Use the largest possible backbending radius for elevators with side guards or hold down devices.

Standard range of belt widths b_0

mm (nom.)	101	203	304	406	508	609	711	813	914	1016	1117	1219	1321	etc.
inch (nom.)	4.0	8.0	12.0	16.0	20.0	24.0	28.0	32.0	36.0	40.0	44.0	48.0	52.0	etc.

Real belt widths are in most cases 0.1% to 0.3% smaller.

HabasitLINK® Straight 2" Pitch Belting M5060 Flat Top 2"

Standard belt widths in increments 4.0" (101 mm). Non-standard widths are offered in increments of 1.0" (25.4 mm) Smallest possible width 4.0" (101 mm).

For detailed material properties refer to pages 276 - 281 or contact your Habasit representative.

The nominal tensile strength is valid for 23 °C (73 °F). The admissible tensile force depends on the operating temperature near the drive sprockets. Within the temperature range allowed, the admissible tensile force may vary from 100% to 20% of the nominal tensile strength. For detailed information and correct calculation of effective tensile force refer to the Calculation Guide in the HabasitLINK® Engineering Guidelines.

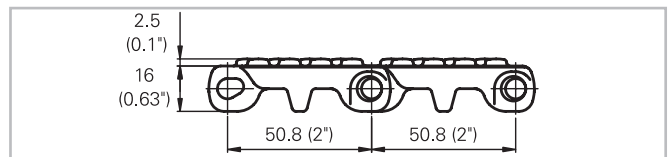
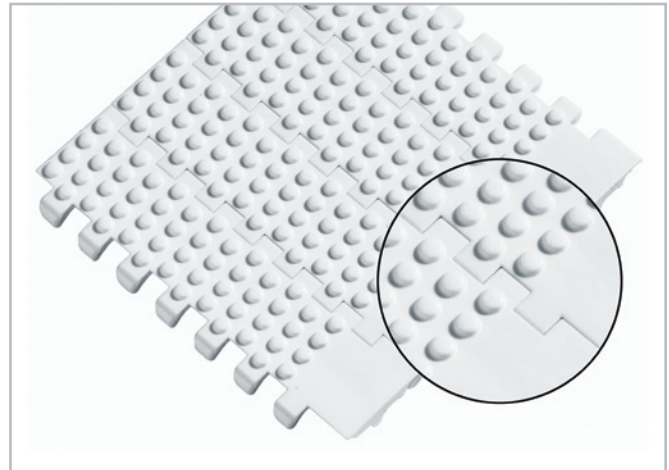
HabasitLINK® Straight 2" Pitch Belting M5064 Nub Top 2"

Description

- 0% open area
- Solid plate
- Imperial belt width
- Dynamic open hinge, easy to clean
- Strong link design (1" link-pitch)
- Rod diameter 7 mm (0.27")
- Indent 39.5 mm (1.56')
- Smart Fit rod retention
- Reinforced edge link
- Food approved materials

Available accessories

- Flight straight with ribs (without nubs)



Belt data

Belt material		PP		PE	
Rod material		PP	PA	PE	PA
Nominal tensile strength F_N straight run	N/m	18000	22000	8000	10000
	lb/ft	1233	1507	548	685
Temperature range	°C	5 - 105	5 - 105	-70 - 65	-46 - 65
	°F	40 - 220	40 - 220	-94 - 150	-50 - 150
Belt weight m_B	kg/m ²	8.8	8.8	9.1	9.1
	lb/sqft	1.8	1.8	1.86	1.86

Belt material		POM		POM +IM	
Rod material		PE	PA	PE	PA
Nominal tensile strength F_N straight run	N/m	14000	30000	14000	30000
	lb/ft	959	2055	959	2055
Temperature range	°C	-40 - 65	-40 - 93	-40 - 65	-40 - 93
	°F	-40 - 150	-40 - 200	-40 - 150	-40 - 200
Belt weight m_B	kg/m ²	13.1	13.1	13.1	13.4
	lb/sqft	2.68	2.68	2.68	2.75

Diameter of idling rollers (minimum)		Diameter of support rollers (minimum)		Diameter for gravity take-up and center drive rollers (minimum)		Backbending radius for elevators without sideguards or hold down devices (minimum)		Backbending radius for elevators with sideguards or hold down devices (minimum)	
mm	inch	mm	inch	mm	inch	mm	inch	mm	inch
90	3.5	100	4	150	6	150	6	250	10

Use the largest possible backbending radius for elevators with side guards or hold down devices.

Standard range of belt widths b_0

mm (nom.)	304	406	508	609	711	813	914	1016	1117	1219	1321	etc.
inch (nom.)	12.0	16.0	20.0	24.0	28.0	32.0	36.0	40.0	44.0	48.0	52.0	etc.

Real belt widths are in most cases 0.1% to 0.3% smaller.

HabasitLINK® Straight 2" Pitch Belting M5064 Nub Top 2"

Standard belt widths in increments 4.0" (101 mm). Non-standard widths are offered in increments of 1.0" (25.4 mm) Smallest possible width 4.0" (101 mm), but widths smaller than 12" (304 mm) is without indent.

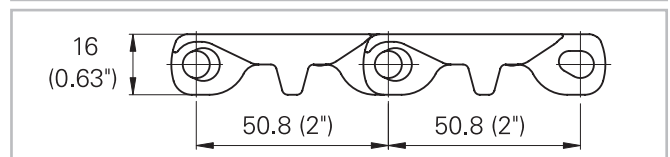
For detailed material properties refer to pages 276 - 281 or contact your Habasit representative.

The nominal tensile strength is valid for 23 °C (73 °F). The admissible tensile force depends on the operating temperature near the drive sprockets. Within the temperature range allowed, the admissible tensile force may vary from 100% to 20% of the nominal tensile strength. For detailed information and correct calculation of effective tensile force refer to the Calculation Guide in the HabasitLINK® Engineering Guidelines.

HabasitLINK® Straight 2" Pitch Belting M5065 Flat Top 2" HyCLEAN

Description

- 0% open area
- Solid plate
- Imperial belt width
- Extra wide dynamic open hinge (6" link pitch)
- 85% rod exposure, superior cleanability
- Seamless up to 24" belt width
- Rod diameter 7 mm (0.27")
- Smart Fit rod retention
- Food approved materials



Belt data

Belt material		PP		POM +IM		
Rod material		PP	POM	PE	PP	POM
Nominal tensile strength F_N^1 straight run	N/m	3600	4300	2500	3900	6200
	lb/ft	247	295	171	267	428
Temperature range	°C	5 - 105	5 - 93	-40 - 65	5 - 93	-40 - 93
	°F	40 - 220	40 - 200	-40 - 150	40 - 200	-40 - 200
Belt weight m_B	kg/m ²	8.1	8.1	12.2	12.2	12.2
	lb/sqft	1.67	1.67	2.50	2.50	2.50

Belt material		POM +IM		PE	
Rod material		PA	PBT	PE	POM
Nominal tensile strength F_N^1 straight run	N/m	5300	4800	2400	3300
	lb/ft	363	329	164	226
Temperature range	°C	-40 - 93	-40 - 93	-70 - 65	-40 - 65
	°F	-40 - 200	-40 - 200	-94 - 150	-40 - 150
Belt weight m_B	kg/m ²	12.2	12.2	8.7	8.7
	lb/sqft	2.50	2.50	1.78	1.78

Diameter of idling rollers (minimum)		Diameter of support rollers (minimum)		Diameter for gravity take-up and center drive rollers (minimum)		Backbending radius for elevators without side- guards or hold down devices (minimum)		Backbending radius for elevators with sideguards or hold down devices (minimum)	
mm	inch	mm	inch	mm	inch	mm	inch	mm	inch
90	3.5	100	4	150	6	150	6	250	10

Standard belt widths in increments of 3" (76.2 mm). Non-standard widths are offered in increments of 1.5" (38.1 mm). Smallest possible width 6.0" (152.4 mm).

Real belt widths are in most cases 0.1% to 0.3% wider.

For detailed material properties refer to pages 276 - 281 or contact your Habasit representative.

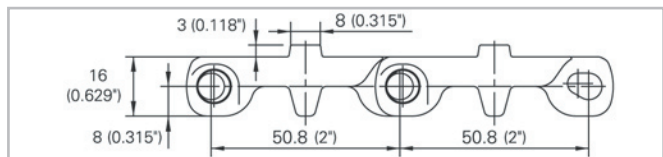
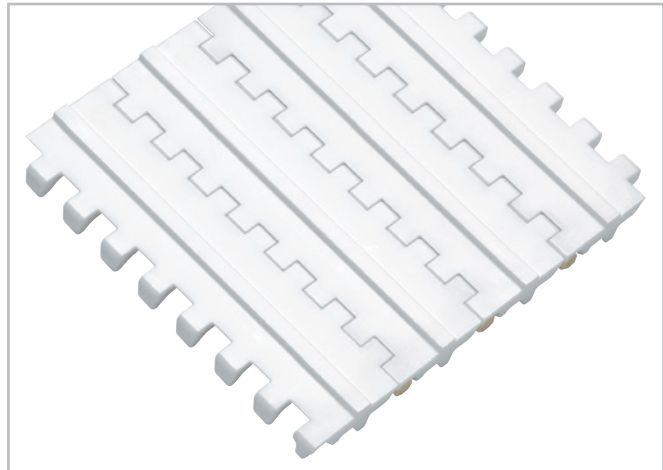
The nominal tensile strength is valid for 23 °C (73 °F). The admissible tensile force depends on the operating temperature near the drive sprockets. Within the temperature range allowed, the admissible tensile force may vary from 100% to 20% of the nominal tensile strength. For detailed information and correct calculation of effective tensile force refer to the Calculation Guide in the HabasitLINK® Engineering Guidelines.

Description

- 0% open area
- Solid plate
- Imperial belt width
- Minirib 3 mm (0.12") height
- Dynamic open hinge, easy to clean
- Strong link design (1" link-pitch)
- Rod diameter 7 mm (0.27")
- Smart Fit rod retention
- Food approved materials

Available accessories

- Flights



Belt data

Belt material		PP		PE	
Rod material		PP	PA	PE	PA
Nominal tensile strength F'_N straight run	N/m	18000	22000	8000	10000
	lb/ft	1233	1507	548	685
Temperature range	°C	5 - 105	5 - 105	-70 - 65	-46 - 65
	°F	40 - 220	40 - 220	-94 - 150	-50 - 150
Belt weight m_B	kg/m ²	8.8	8.8	9.1	9.1
	lb/sqft	1.8	1.8	1.86	1.86

Belt material		POM		POM +IM	
Rod material		PE	PA	PE	PA
Nominal tensile strength F'_N straight run	N/m	14000	30000	14000	30000
	lb/ft	959	2055	959	2055
Temperature range	°C	-40 - 65	-40 - 93	-40 - 65	-40 - 93
	°F	-40 - 150	-40 - 200	-40 - 150	-40 - 200
Belt weight m_B	kg/m ²	13.1	13.4	13.4	13.4
	lb/sqft	2.86	2.75	2.75	2.75

Diameter of idling rollers (minimum)		Diameter of support rollers (minimum)		Diameter for gravity take-up and center drive rollers (minimum)		Backbending radius for elevators without sideguards or hold down devices (minimum)		Backbending radius for elevators with sideguards or hold down devices (minimum)	
mm	inch	mm	inch	mm	inch	mm	inch	mm	inch
90	3.5	100	4	150	6	150	6	250	10

Use the largest possible backbending radius for elevators with side guards or hold down devices.

Standard range of belt widths b_0

mm (nom.)	101	203	304	406	508	609	711	813	914	1016	1117	1219	1321	etc.
inch (nom.)	4.0	8.0	12.0	16.0	20.0	24.0	28.0	32.0	36.0	40.0	44.0	48.0	52.0	etc.

Real belt widths are in most cases 0.1% to 0.3% smaller.

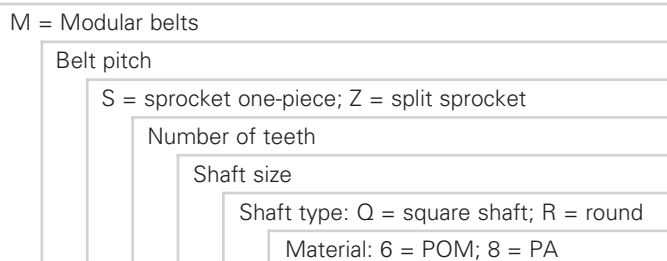
Standard belt widths in increments 4.0" (101 mm). Non-standard widths are offered in increments of 1.0" (25.4 mm) Smallest possible width 4.0" (101 mm).

For detailed material properties refer to pages 276 - 281 or contact your Habasit representative.

The nominal tensile strength is valid for 23 °C (73 °F). The admissible tensile force depends on the operating temperature near the drive sprockets. Within the temperature range allowed, the admissible tensile force may vary from 100% to 20% of the nominal tensile strength. For detailed information and correct calculation of effective tensile force refer to the Calculation Guide in the HabasitLINK® Engineering Guidelines.

HabasitLINK® Sprockets - 2" Pitch Belting

Sprocket Series M5000



M 50 S 10 40 Q 6

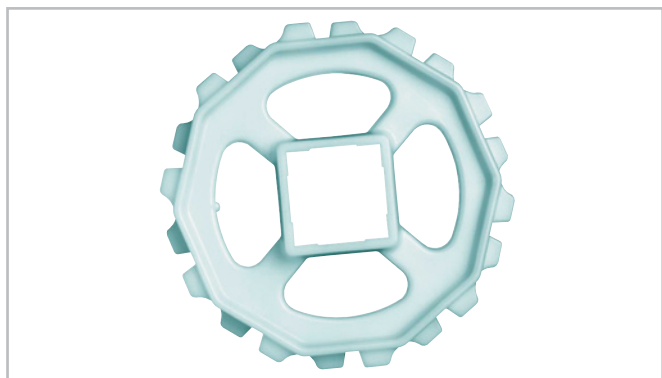
Sprocket availability

Type	Number of teeth	Diam. of pitch $\varnothing d_p A_1$				Hub width B_L		Square bore Q		Ø Round bore R		Standard material
		mm	inch	mm	inch	mm	inch	mm	inch	mm	inch	
S	6	102.1	4.0	43.0	1.70	40	1.57	40	1.5	-	-	POM
S	8	133.4	5.3	58.7	2.31	40	1.57	40 / 60	1.5	-	-	POM
S	10	165.2	6.5	74.6	2.94	40	1.57	40 / 60	1.5 / 2.5	-	-	POM
S	12	197.2	7.8	90.6	3.57	40	1.57	40 / 60	1.5 / 2.5 / 3.5	-	-	POM
S	16	261.5	10.3	122.7	4.83	40	1.57	40 / 60 / 90	1.5 / 2.5 / 3.5	-	-	POM
Z-B	12	197.2	7.8	90.6	3.57	40	1.57	40 / 60 / 90	1.5 / 2.5 / 3.5	40 / 50 / 60	1.5 / 2 / 2.5	PA
Z-B	16	261.5	10.3	122.7	4.83	40	1.57	40 / 60 / 90 / 120	1.5 / 2.5 / 3.5 / 4.75	40 / 50 / 60	1.5 / 2 / 2.5	PA

S: molded sprockets; Z-B: molded sprockets with machined bore (hollow hub). Other sprocket and hub sizes on request.

Key ways for round bore shape follow European standards for metric sizes and US standards for imperial sizes. For detailed dimensions see table in the Design Guide.

Other materials available on request.

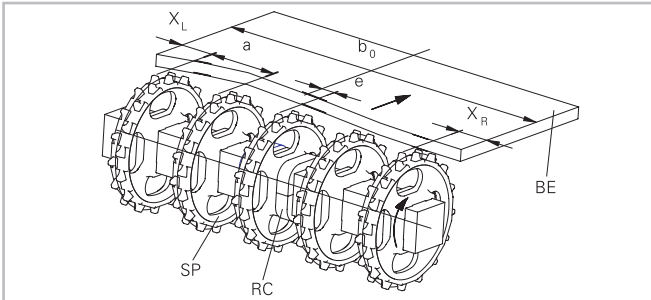


Sprocket one-piece

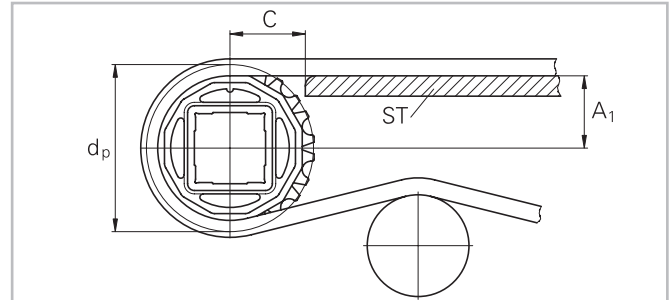


Split sprocket

Sprocket arrangement



BE Belt
RC Retainer
SP Sprocket
b₀ belt width



The distance **C** between the sprocket axis and the slider support **ST** is minimal 53 mm (2.1").

Wearstrips

Between driving shaft and idling sprockets or rollers the belt is carried by a slider support furnished with longitudinal wear strips from UHMW Polyethylene or other suitable material.

Sprocket positioning

For correct positioning of the center sprocket divide the belt width by the link increment. The rounded result will be an even or an odd number. These numbers are the criteria for offset or no offset, see table.

Belt type	Sprocket spacing a		Sprocket edge distance (minimal)		Criteria for center sprocket position	Result of formula (rounded)	Offset e	Remarks
	minimal	maximal	X _L	X _R				
	mm inch	mm inch	mm inch	mm inch				
M5010 M5011 M5013 M5014	56.25 2.2	150 6	37.5 1.48	37.5 1.48	b ₀ / 18.75 b ₀ / 0.74	even number (2, 4, 6 ...) odd number (3, 5, 7 ...)	0 0 9.4 0.37	no offset right or left side
M5015 M502x M503x	56.25 2.2	150 6	37.5 1.48	37.5 1.48	b ₀ / 18.75 b ₀ / 0.74	even number (2, 4, 6 ...) odd number (3, 5, 7 ...)	0 0 9.4 0.37	no offset right or left side
M5060 M5067	50.8 2	152.4 6	25.4 1	25.4 1	b ₀ / 25.4 b ₀ / 1	even number (2, 4, 6 ...) odd number (3, 5, 7 ...)	0 0 12.7 0.5	no offset right or left side
M5064	50.8 2	152.4 6	50.8 2	50.8 2	b ₀ / 25.4 b ₀ / 1	even number (2, 4, 6 ...) odd number (3, 5, 7 ...)	0 0 12.7 0.5	no offset right or left side

Numbers of sprockets and wearstrips for M501x, M502x, M503x

Standard belt width (nominal)		Number of sprockets per shaft	Number of wearstrips	
mm	<i>inch</i>	min. number	Carryway (top)	Returnway (bottom)
150	6	2	2	2
225	9	2	2	2
300	12	2	3	2
375	15	3	3	3
450	18	3	3	3
525	21	3	4	3
600	24	3	4	3
675	27	5	5	3
750	30	5	5	4
825	33	5	6	4
900	36	5	6	4
975	39	7	7	5
1'050	42	7	7	5
1'125	45	7	7	5
1'200	48	7	8	5
1'500	59	9	8	6
1'800	70	11	9	6
2'100	83	13	10	7
2'400	95	15	11	8
2'700	106	17	12	9
3'000	118	19	13	10

The number of sprockets depends on the belt load and may be different for driving and idling shafts. For calculation of correct sprocket number please use LINK-SeleCalc.

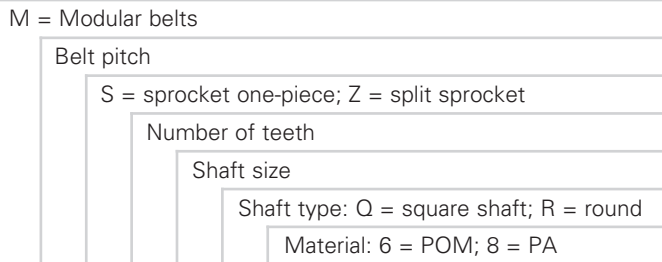
Numbers of sprockets and wearstrips for M5060, M5064

Standard belt width (nominal)		Number of sprockets per shaft	Number of wearstrips	
mm	<i>inch</i>	min. number	Carryway (top)	Returnway (bottom)
102	4	2	2	2
203	8	2	2	2
305	12	2	3	2
406	16	3	3	3
508	20	3	3	3
610	24	3	4	3
711	28	5	4	3
813	32	5	5	3
914	36	5	5	4
1'016	40	7	6	4
1'118	44	7	6	4
1'219	48	7	7	5
1'422	56	9	7	5
1'626	64	11	7	5
1'829	72	11	8	5
2'032	80	13	8	6
2'235	88	15	9	6
2'438	96	15	10	7
2'642	104	17	11	8
2'845	112	19	12	9
3'048	120	19	13	10

The number of sprockets depends on the belt load and may be different for driving and idling shafts. For calculation of correct sprocket number please use LINK-SeleCalc.

HabasitLINK® Sprockets - 2" Pitch Belting

Sprocket Series M5000 HyCLEAN

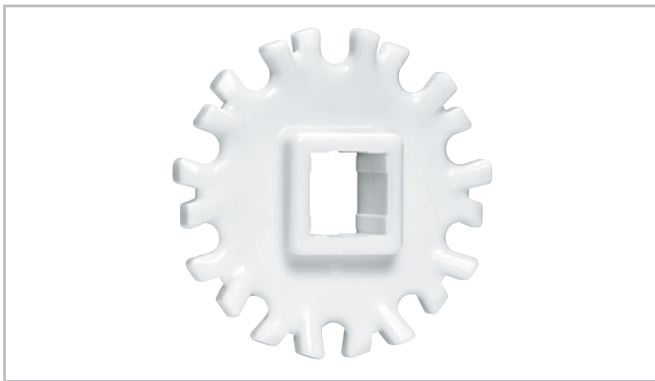


M 50 S 10 40 Q 6

Sprocket availability

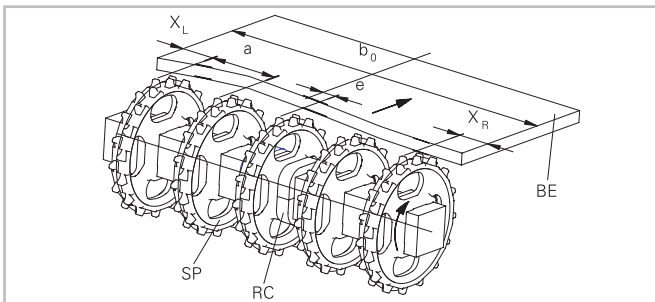
Type	Number of teeth	Diam. of pitch $\varnothing d_p$		A_1		Hub width B_L		Square bore Q		Standard material
		mm	inch	mm	inch	mm	inch	mm	inch	
S-M2	10	165.2	6.5	74.6	2.94	40	1.57	40	1.5	POM

S-M2: molded sprocket

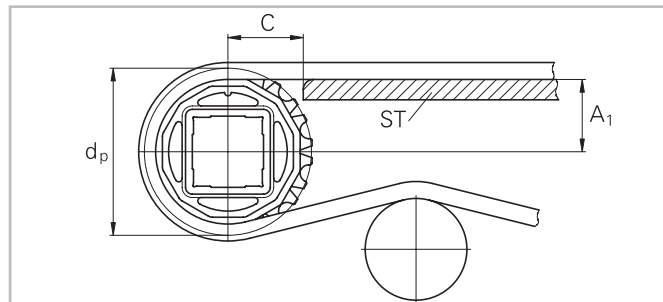


HyCLEAN sprocket

Sprocket arrangement



- BE** Belt
- RC** Retainer
- SP** Sprocket
- b₀** belt width



The distance **C** between the sprocket axis and the slider support **ST** is minimal 53 mm (2.1").

Wearstrips

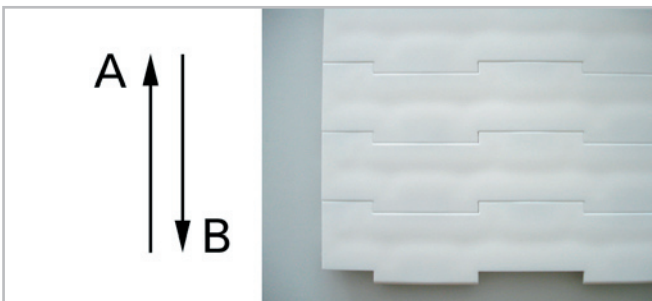
Between driving shaft and idling sprockets or rollers the belt is carried by a slider support furnished with longitudinal wear strips from UHMW Polyethylene or other suitable material.

Sprocket positioning

For correct positioning of the center sprocket divide the belt width by the link increment. The rounded result will be an even or an odd number. These numbers are the criteria for offset or no offset, see table.

Belt type	Sprocket spacing a		Sprocket edge distance (minimal)		Criteria for center sprocket position	Result of formula (rounded)	Offset e	Remarks
	minimal	maximal	X_L	X_R				
	mm inch	mm inch	mm inch	mm inch				
M5010 M5011 M5013 M5014	56.25 2.2	150 6	37.5 1.48	37.5 1.48	$b_0 / 18.75$ $b_0 / 0.74$	even number (2, 4, 6 ...)	0 0	no offset
						odd number (3, 5, 7 ...)	9.4 0.37	right or left
M5060 M5067	50.8 2	152.4 6	25.4 1	25.4 1	$b_0 / 25.4$ $b_0 / 1$	even number (2, 4, 6 ...)	0 0	no offset
						odd number (3, 5, 7 ...)	12.7 0.5	right or left
M5064	50.8 2	152.4 6	50.8 2	50.8 2	$b_0 / 25.4$ $b_0 / 1$	even number (2, 4, 6 ...)	0 0	no offset
						odd number (3, 5, 7 ...)	12.7 0.5	right or left
M5065 * (in direction A)	152.4 6	228.6 9	114.3 4.5	38.1 1.5	$b_0 / 76.2$ $b_0 / 3$	even number (2, 6, 10 ...)	38.1 1.5	right
						even number (4, 8, 12 ...)	38.1 1.5	left
						odd number (3, 7, 11 ...)	0 0	no offset
						odd number (5, 9, 13 ...)	76.2 3	right or left
M5065 * (in direction B)	152.4 6	228.6 9	38.1 1.5	114.3 4.5	$b_0 / 76.2$ $b_0 / 3$	even number (2, 6, 10 ...)	38.1 1.5	left
						even number (4, 8, 12 ...)	38.1 1.5	right
						odd number (3, 7, 11 ...)	76.2 3	right or left
						odd number (5, 9, 13 ...)	0 0	no offset

* X_L and X_R are related to the running direction A and inverse for running direction B.



Numbers of sprockets and wearstrips for M5010, M5011, M5013, M5014

Standard belt width (nominal)		Number of sprockets per shaft	Number of wearstrips	
mm	<i>inch</i>	min. number	Carryway (top)	Returnway (bottom)
150	6	2	2	2
225	9	2	2	2
300	12	2	3	2
375	15	3	3	3
450	18	3	3	3
525	21	3	4	3
600	24	3	4	3
675	27	5	5	3
750	30	5	5	4
825	33	5	6	4
900	36	5	6	4
975	39	7	7	5
1'050	42	7	7	5
1'125	45	7	7	5
1'200	48	7	8	5
1'500	59	9	8	6
1'800	70	11	9	6
2'100	83	13	10	7
2'400	95	15	11	8
2'700	106	17	12	9
3'000	118	19	13	10

The number of sprockets depends on the belt load and may be different for driving and idling shafts. For calculation of correct sprocket number please use LINK-SeleCalc.

Numbers of sprockets and wearstrips for M5060, M5064, M5067

Standard belt width (nominal)		Number of sprockets per shaft	Number of wearstrips	
mm	<i>inch</i>	min. number	Carryway (top)	Returnway (bottom)
102	4	2	2	2
203	8	2	2	2
305	12	2	3	2
406	16	3	3	3
508	20	3	3	3
610	24	3	4	3
711	28	5	4	3
813	32	5	5	3
914	36	5	5	4
1'016	40	7	6	4
1'118	44	7	6	4
1'219	48	7	7	5
1'422	56	9	7	5
1'626	64	11	7	5
1'829	72	11	8	5
2'032	80	13	8	6
2'235	88	15	9	6
2'438	96	15	10	7
2'642	104	17	11	8
2'845	112	19	12	9
3'048	120	19	13	10

The number of sprockets depends on the belt load and may be different for driving and idling shafts. For calculation of correct sprocket number please use LINK-SeleCalc.

Numbers of sprockets and wearstrips for M5065

Standard belt width (nominal)		Number of sprockets per shaft	Number of wearstrips	
mm	<i>inch</i>	min. number	Carryway (top)	Returnway (bottom)
152	6	1*	2	2
229	9	2	2	2
305	12	2	3	2
381	15	2	3	3
457	18	2	3	3
533	21	2	3	3
610	24	3	4	3
686	27	3	4	3
762	30	3	4	4
838	33	3	4	4
914	36	3	4	4
991	39	3	4	4
1067	42	5	4	4
1143	45	5	4	4
1219	48	5	5	4
1295	51	5	5	4
1372	54	5	5	4
1448	57	5	5	5
1524	60	5	5	5

* Second sprocket on open hinge is possible (no tracking).

General remark: HyCLEAN sprockets are not compatible to M5015, M5020 and M5030 series.

HabasitLINK® Accessories – 2" Pitch Belting Flights and Sideguards M5000

HabasitLINK® Modular belts are available with flights to convey products on inclined planes. The flight modules are injection molded one-piece designs that when installed, become an integral part of the belt. Flight modules are available with ribs on one side ("no-cling") for improved release of wet or sticky food products and can also be cut to non-standard heights.

Code:
 xx = height of flight
 25 mm = 02
 50 mm = 05
 75 mm = 07
 100 mm = 10
 150 mm = 15

Note: All flights have open hinge design (USDA).
 M5010Fxx, smooth side

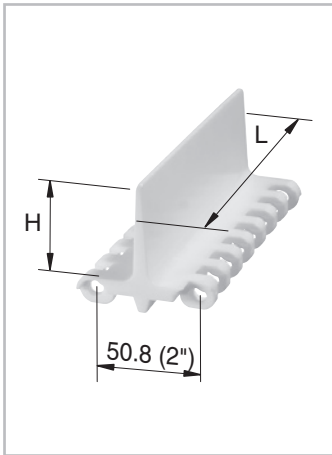
Flights M5000 (except M5060) with link increment 18.75mm (0.74"); metric belt widths

	Flights straight		Flights straight		Flights corrugated		Flights bent (Scoop)		Bucket Flights		Sideguards	
Code flight side-guard	M5010Fxx (xx= height)		M5014Fxx M5015Fxx (xx= height)		M5033Fxx (xx= height)		M5010Bxx (xx= height)		M5010Yxx (xx= height)		M5010Gxx	
											M501RGxx	
											(xx= height)	
height H length L	H	L	H	L	H	L	H	L	H	L	H	
mm	25	150	-	-	-	-	-	-	-	-	-	-
inch	1	6	-	-	-	-	-	-	-	-	-	-
mm	50	150	-	-	-	-	-	-	-	-	50	-
inch	2	6	-	-	-	-	-	-	-	-	2	-
mm	75	150	-	-	-	-	75	150	-	-	75	-
inch	3	6	-	-	-	-	3	6	-	-	3	-
mm	100	150	100	150	100	150	100	150	100	150	100	-
inch	4	6	4	6	4	6	4	6	4	6	4	-
mm	150	150	-	-	-	-	150	150	-	-	-	150
inch	6	6	-	-	-	-	6	6	-	-	-	6
mm	100	225	-	-	-	-	-	-	-	-	100	-
inch	4	9	-	-	-	-	-	-	-	-	4	-

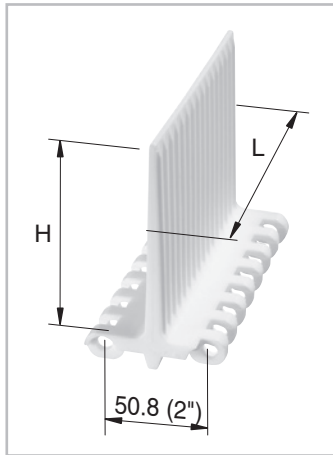
Flights M5060 with link increment 25.4mm (1"); imperial belt widths

	Flights straight		Flights straight with indent			Flights bent (Scoop)	
Code flight side-guard	M5060Fxx (xx= height)		M506RFxx/LFxx (xx=height, L=left side, R= right side)			M5060Bxx (xx= height)	
	height H	length L	height H	length L	indent E	height H	length L
mm	50.8	152	50.8	152	31.7	-	-
inch	2	6	2	6	1.25	-	-
mm	101.6	152	101.6	152	31.7	101.6	150
inch	4	6	4	6	1.25	4	6
mm	152	152	-	-	-	-	-
inch	6	6	-	-	-	-	-
mm	152	609	-	-	-	-	-
inch	6	24	-	-	-	-	-

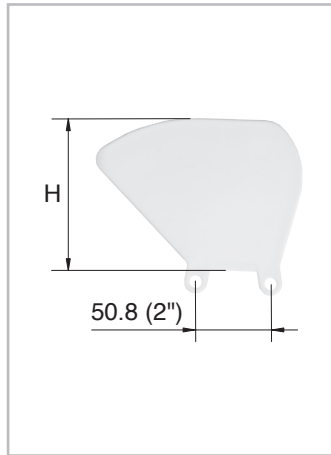
All flight and scoops can be cut to lower height (min. 25mm) for high impact applications.



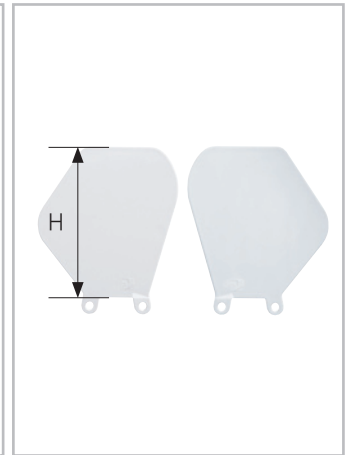
M5010Fxx smooth side



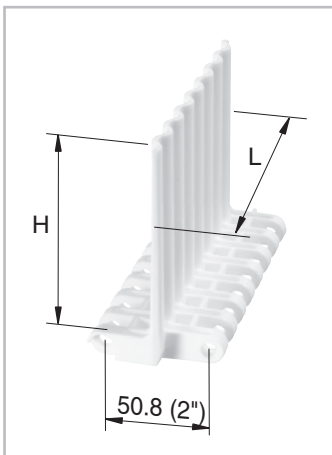
M5010Fxx „non-cling“ side



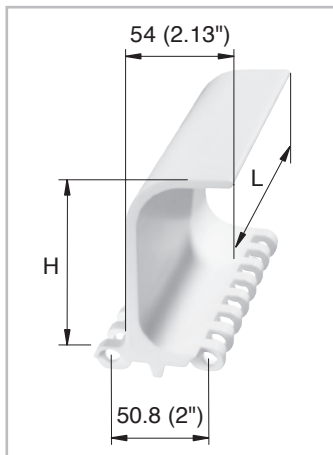
M5010Gxx



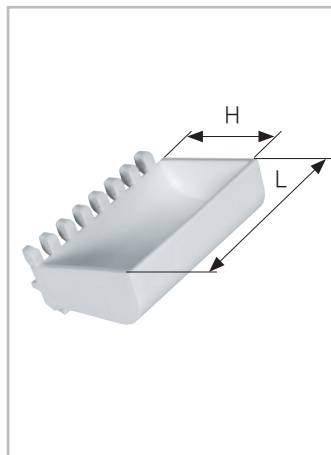
M501RGxx / LG



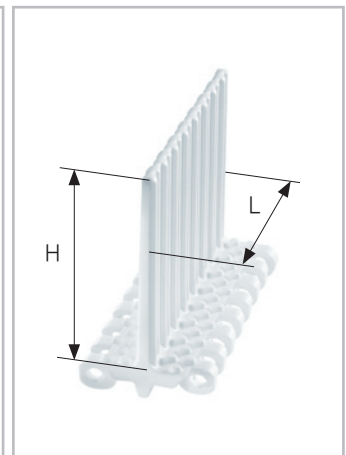
M5033F10



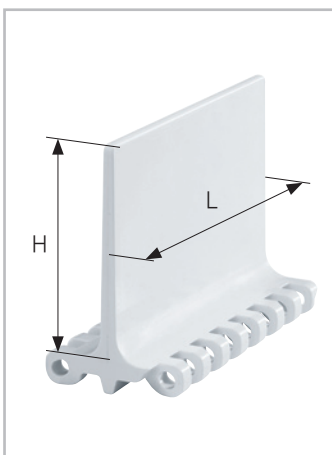
M5010Bxx



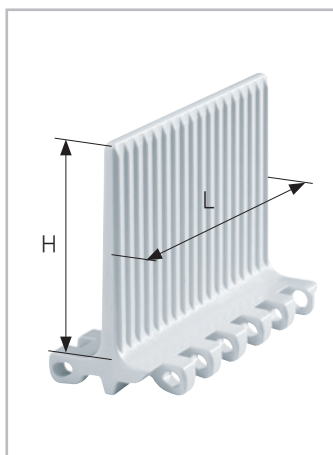
M5010Y10



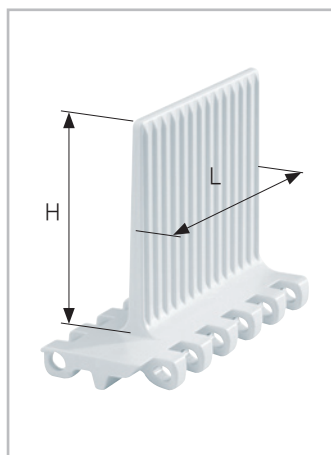
M5014F10



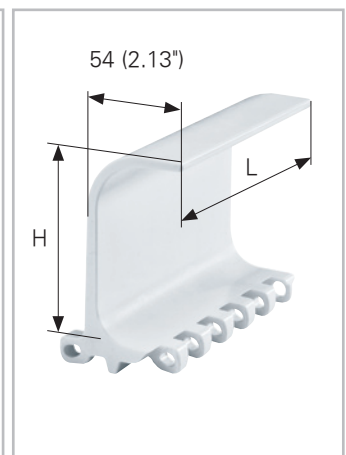
M5015F10



M5060Fxx



M506RFxx indent flight



M5060B10

Compatibility of 2" flights and belt types

In general all 2" flights may be used in combination with all 2" belts. For some combinations the nominal tensile strengths of the belt will be reduced to the strength of the flight.

Please see the table below.

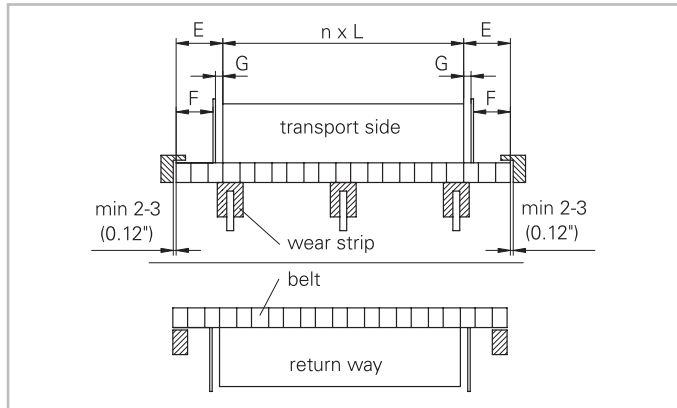
Flights and Sideguards M5000 Series (except M5060)

	Flight	M5010Fxx, M5010Bxx M5010Pxx, M5014F10			M5033Fxx			M5015Fxx			
	Belt material	PP		POM	PP		POM	PP		POM	
	Rod material	PP/POM	PP	PA	PP/POM	PP/POM	PA	PP	POM	PP	PA
Nominal tensile strength	M5010	18'000	22'000	30'000	18'000	22'000	30'000	18'000	18'000	22'000	30'000
	M5011 M5013 M5014	1'233	1'507	2'055	1'233	1'507	2'055	1'233	1'233	1'507	2'055
N/m lb/ft	M5015							29'000 1'986	31'000 2'123	31'000 2'123	53'000 3'630
	M5020 M5023 M5032	18'000 1'233	22'000 1'507	30'000 2'055	26'000 1'781	30'000 2'055	35'000 2'397	29'000 1'986	31'000 2'123	31'000 2'123	53'000 3'630
	M5033	18'000 1'233						26'000 1'781	26'000 1'781	30'000 2'055	35'000 2'397
	M5131 M50xx Roller Top	not applicable									

For M5060 belt types only M5060Fxx flight can be used. A combination with other flight series is not possible.

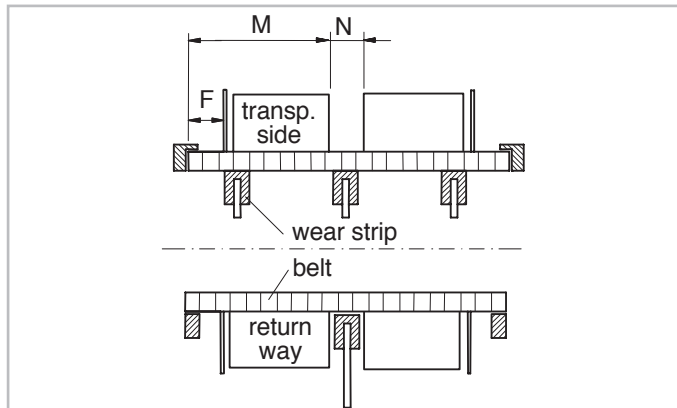
Indents (E)

The flight indent E is the distance between the edge of the belt and the edge of flight, and F is the distance between belt edge and sideguard. It is required for adequate support of the belt on its return way and hold down during back-bending applications (elevators). On short conveyors or with special support structure, the flights may also be applied over the full belt width (E = 0).



Notch (N)

The notch N is a gap in each row of flights, longitudinally aligned to allow the support of belts wider 600 mm (24") on its return way or in back-bending applications. The notch width (N) and the distance (M) from belt edge is a multiple of the link increment 18.75 mm (0.74"), or 25.4 mm (1") for M5060 series. For metric M5000 series the minimum notch width is 37.5 mm (1.48") and for M5060 50.8mm (2").

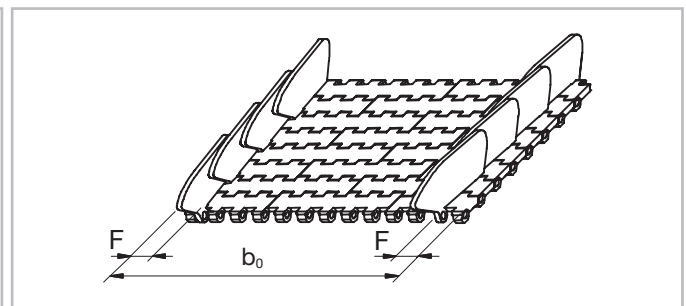
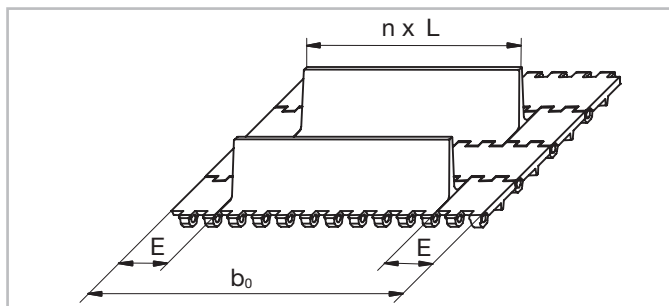


Installation of flights and sideguards; indents

The sideguards are usually installed with a gap (G) between the sideguards and the flights. It is also possible to install the sideguards with a minimum gap between flight and sideguards of approx. 2 mm

(0.08"). There is a certain risk for rubbing and abrasion between the flights and the sideguards. The distance E_1 between the sideguards and the hold down- and support-shoes/wearstrips should not be smaller than 5 mm (0.2").

	Possible flight indents E										
	Flight only		Flight + Sideguard with gap (G ~ 8 mm (0.31"))				Flight + Sideguard without gap (G ~2 mm (0.08"))				
	E		E		F		E		F		
	mm	inch	mm	inch	mm	inch	mm	inch	mm	inch	
M5000 except M5060											
Flight over full belt width	0	0	–	–	–	–	–	–	–	–	–
Module cutting necessary	37.5	1.47	37.5	1.47	18	0.47	37.5	1.47	28	1.1	
Module cutting necessary	56	2.2	56	2.2	37	1.47	56	2.2	46	1.83	
Standard, no module cutting	75	3	75	3	56	2.2	75	3	66	2.6	
Module cutting necessary	112	4.4	112	4.4	93	3.7	112	4.4	103	4.1	
Module cutting necessary	131	5.2	131	5.2	112	4.4	131	5.2	122	4.8	
M5060											
Flight over full belt width	0	0	–	–	–	–	–	–	–	–	–
Module cutting necessary	50.8	2	50.8	2	34.2	1.35	–	–	–	–	
Module cutting necessary	76.2	3	76.2	3	59.6	2.35	–	–	–	–	
Standard, no module cutting	101.6	4	101.6	4	85	3.35	–	–	–	–	
Module cutting necessary	127	5	127	5	110.4	4.35	–	–	–	–	
Module cutting necessary	152.4	6	152.4	6	135.8	5.35	–	–	–	–	
Flight with molded indent	33	1.3	–	–	–	–	–	–	–	–	



HabasitLINK® Accessories – 2" Pitch Belting

Hold Down Devices for M5000

For elevators with back-bending (Z-conveyors) **hold down devices** are used to keep the belt down when it is changing from horizontal to inclined direction. For wide belts (e. g. > 800 mm (31.5") wide) slider shoes on the belt edge are often not sufficient to keep it on the track. In such cases hold down devices on the bottom side of the belt are used to guide it through the back-bending curve.

Compatibility: The hold down device can be put into any M5000 HabasitLINK® modular belt. The modules are inserted into the prepared position, one module every second row. As long as link steps are respected, any position over the belt width is possible.



M5000V01

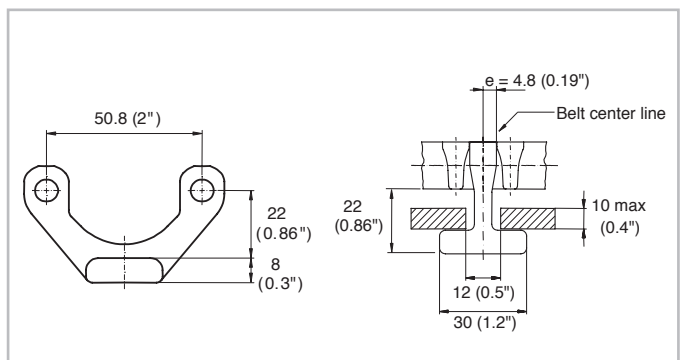
For a center positioning consider an offset "e" of 4.8 mm. Allow the necessary distance for the sprocket engagement!

Back-bending radius R: min. 250 mm (10")

Sprockets: minimum size M50S0840Q (8teeth) and M50S1060Q (10 teeth)

Standard materials: POM white
other materials possible on request.

Compatible belts series: M5010, M5020, M5030



M5060V05

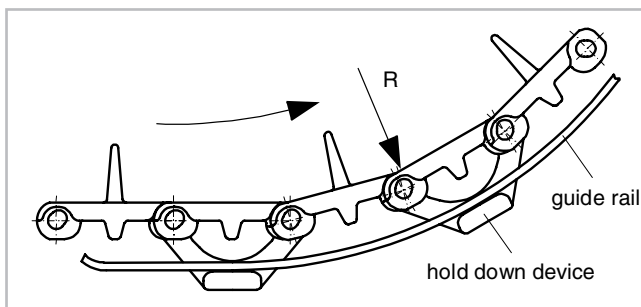
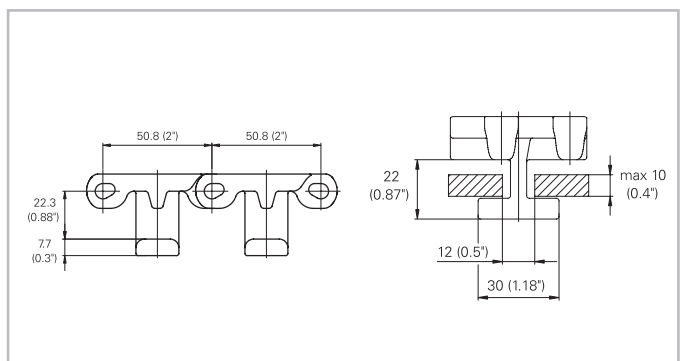
The tab module M5060V05 is designed as 2" mid module to be brick layed as a regular module. The length of two link indents give stability to the tab. This module can not be used as edge module.

Back-bending radius R: min. 250 mm (10")

Sprockets: minimum size 8 teeth (M50S08)

Standard materials: POM white other materials possible on request.

Compatible belts series: only M5060



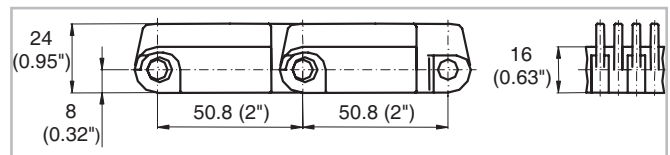
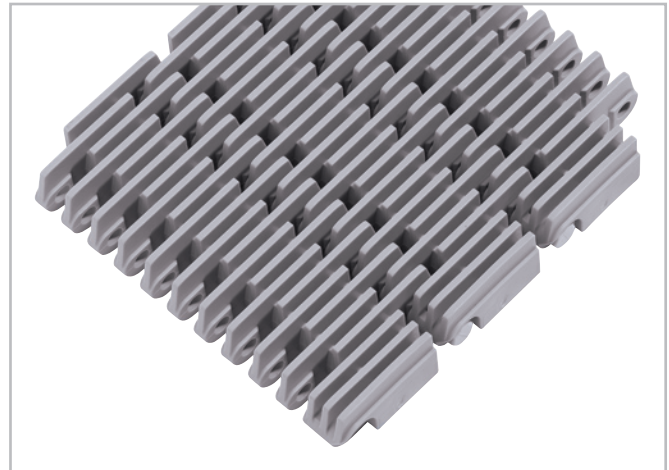
It is very important that the guide rail is very smooth, without joining. It is also important that enough clearance is provided to allow the belt to expand or shrink.

Description

- Imperial belt width
- 36% open area; 67% open contact area, largest opening 17.5x3.55 mm (0.69"x0.14")
- Easy to clean
- Straight ribs 2.8 mm thick
- Rod diameter 7 mm (0.27")
- Smart fit rod retention
- Strong edges
- Lug teeth sprockets
- Food approved materials

Available accessories

- Combs (finger transfer plates) long and short



Belt data

Belt material		PP	PP +GR
Rod material		PP	
Nominal tensile strength F_N straight run	N/m lb/ft	32000 2192	20000 1370
Temperature range	°C °F	5 - 105 40 - 220	5 - 105 40 - 220
Belt weight m_B	kg/m ² lb/sqft	9.9 2.03	13.6 2.79

Diameter of idling rollers (minimum)		Diameter of support rollers (minimum)		Diameter for gravity take-up and center drive rollers (minimum)		Backbending radius for elevators without sideguards or hold down devices (minimum)	
mm	inch	mm	inch	mm	inch	mm	inch
90	3.5	100	4	150	6	150	6

Standard range of belt widths b_0

mm (nom.)	229	305	381	457	533	610	686	762	838	914	991	1067	1143	etc.
inch (nom.)	9	12	15	18	21	24	27	30	33	36	39	42	45	etc.

PP: Real belt widths are in most cases 0.1% to 0.3% smaller.

PP+GR: Real belt widths are 0.25% wider.

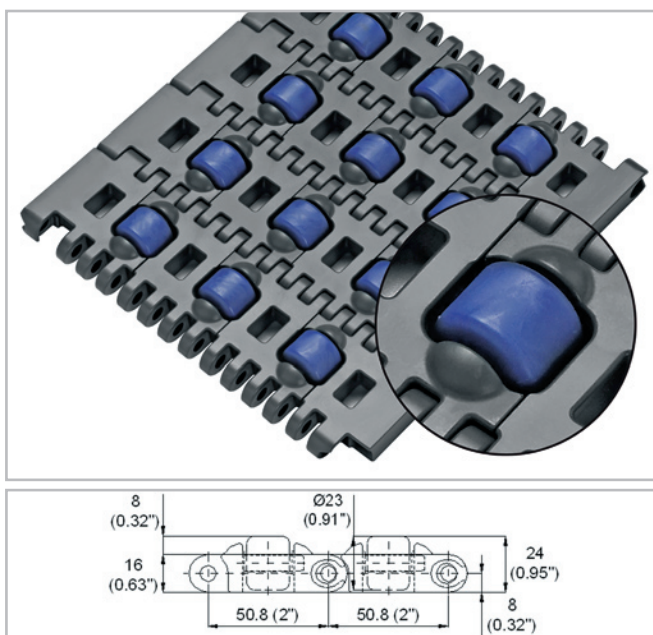
Standard belt widths in increments of 76.2 mm (3"). Non-standard widths are offered in increments of 38.1 mm (1.5").

For detailed material properties refer to pages 276 - 281 or contact your Habasit representative.

The nominal tensile strength is valid for 23 °C (73 °F). The admissible tensile force depends on the operating temperature near the drive sprockets. Within the temperature range allowed, the admissible tensile force may vary from 100% to 20% of the nominal tensile strength. For detailed information and correct calculation of effective tensile force refer to the Calculation Guide in the HabasitLINK® Engineering Guidelines.

Description

- Designed for easy 90° transfer
- Imperial belt width
- Large robust roller with diameter 23 mm (0.9")
- Roller distance 50 mm (2")
- Smart-Fit rod retention
- Rod diameter 7 mm (0.27")
- Closed hinge
- Indent 50 mm (2")
- Lug teeth sprockets



Belt data

Belt material		PP		POM
Rod material		POM	PA	
Roller material		PA		
Nominal tensile strength F'_N straight run	N/m lb/ft	20000 1370	20000 1370	40000 2740
Temperature range	°C	5 - 93	5 - 105	-40 - 93
	°F	40 - 200	40 - 220	-40 - 200
Belt weight m_B	kg/m ²	13.5	13.5	18.5
	lb/sqft	2.76	2.76	3.79

Diameter of idling rollers (minimum)		Diameter of support rollers (minimum)		Diameter for gravity take-up and center drive rollers (minimum)		Backbending radius for elevators without sideguards or hold down devices (minimum)	
mm	inch	mm	inch	mm	inch	mm	inch
90	3.5	100	4	150	6	150	6

Standard range of belt widths b_0

mm (nom.)	152	203	254	305	356	406	457	508	559	610	660	711	762	etc.
inch (nom.)	6	8	10	12	14	16	18	20	22	24	26	28	30	etc.

Real belt widths are in most cases 0.1% to 0.3% smaller.

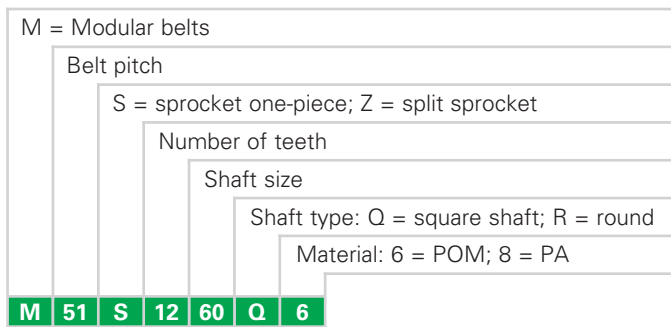
Standard belt widths in increments of 2.0" (50.8 mm). Cut width: Standard belt width - 0.5" (- 12.7 mm).

For detailed material properties refer to pages 276 - 281 or contact your Habasit representative.

The nominal tensile strength is valid for 23 °C (73 °F). The admissible tensile force depends on the operating temperature near the drive sprockets. Within the temperature range allowed, the admissible tensile force may vary from 100% to 20% of the nominal tensile strength. For detailed information and correct calculation of effective tensile force refer to the Calculation Guide in the HabasitLINK® Engineering Guidelines.

HabasitLINK® Sprockets - 2" Pitch Belting

Sprocket Series M5100



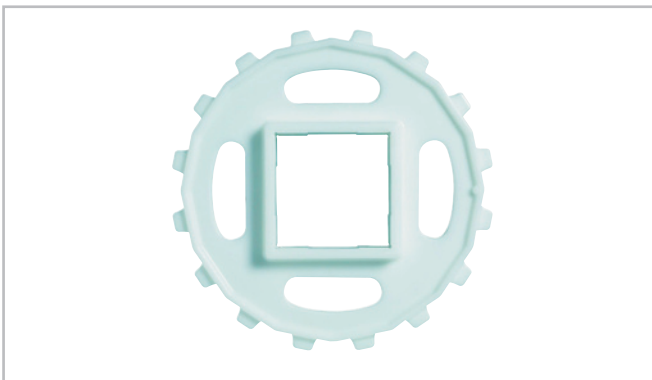
Sprocket availability

Type	Number of teeth	Diam. of pitch $\emptyset d_p$ A_1		Hub width B_L		Square bore Q		Ø Round bore R		Standard material		
		mm	inch	mm	inch	mm	inch	mm	inch			
S	16	261.5	10.3	122.8	4.83	45	1.77	90	3.5	-	-	POM
S-C1	10	165.2	6.5	74.6	2.94	30	1.18	40 / 60 / 65	1.5 / 2.5	40 / 50 / 60	1.5 / 2.5	POM
S-C1	12	197.2	7.8	90.6	3.57	30	1.18	40 / 60 / 65	1.5 / 2.5	40 / 65	1.5 / 2.5	POM
S-C1	13	213.2	8.4	98.6	3.88	30	1.18	40 / 60 / 65 / 90	1.5 / 2.5	40 / 65 / 90	1.5 / 2.5	POM
S-C1	16	261.5	10.3	122.8	4.83	40	1.57	60 / 65 / 90 / 120	1.5 / 2.5 / 3.5	60 / 90	1.5 / 2.5	POM

S: molded sprockets; S-C1: machined sprockets. Other sprocket and hub sizes on request.

Key ways for round bore shape follow European standards for metric sizes and US standards for imperial sizes. For detailed dimensions see table in the Design Guide.

Other materials available on request.

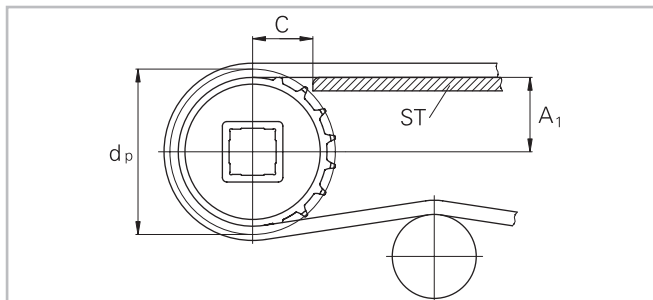
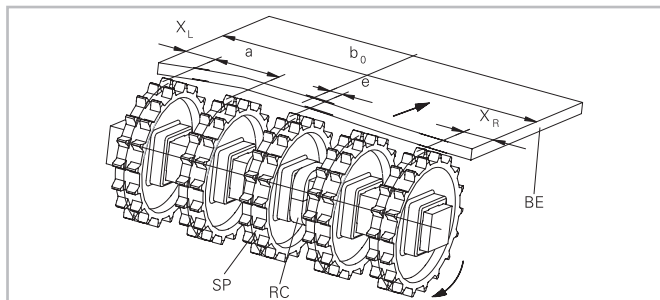


Sprocket one-piece ("open window")



Sprocket one-piece (solid)

Sprocket arrangement



BE Belt
RC Retainer
SP Sprocket
b₀ belt width

The distance **C** between the sprocket axis and the slider support **ST** is minimal 53 mm (2.1").

Wearstrips

Between driving shaft and idling sprockets or rollers the belt is carried by a slider support furnished with longitudinal wear strips from UHMW Polyethylene or other suitable material.

Sprocket positioning

For correct positioning of the center sprocket divide the belt width by the link increment. The rounded result will be an even or an odd number. These numbers are the criteria for offset or no offset, see table.

Belt type	Sprocket and support roller spacing a		Sprocket and support roller edge distance		Criteria for center sprocket position	Result of formula (rounded)	Offset e	Remarks
	minimal	maximal	X _L	X _R				
	mm inch	mm inch	mm inch	mm inch				
M5131	58.2 2.29	152.4 6	28 1.1	28 1.1	b ₀ / 38.1 b ₀ / 1.5	even number (2, 4, 6 ...)	9.5 0.38	right or left side
						odd number (3, 5, 7 ...)	9.5 0.38	right or left side
M5182-R9	50.8 2.0	101.6 4.0	25.4 1.0	25.4 1.0	b ₀ / 50.8 b ₀ / 2.0	even number (2, 4, 6 ...)	25.4 1.0	right or left side
						odd number (3, 5, 7 ...)	0 0	

Numbers of sprockets and wearstrips for M5131

Standard belt width (nominal)		Number of sprockets per shaft	Number of wearstrips	
mm	<i>inch</i>	min. number	Carryway (top)	Returnway (bottom)
229	9	2	2	2
305	12	2	2	2
381	15	3	3	3
457	18	3	3	3
533	21	3	3	3
610	24	3	4	3
686	27	5	4	3
762	30	5	4	4
838	33	5	5	4
914	36	5	5	4
991	39	7	5	4
1'067	42	7	6	4
1'143	45	7	6	5
1'219	48	7	7	5
1'295	51	9	7	5
1'372	54	9	7	5
1'448	57	9	7	5
1'524	60	9	8	6
1'600	63	11	8	6
1'676	66	11	8	6
1'753	69	11	8	6
1'829	72	11	9	6
1'905	75	13	9	7
1'981	78	13	9	7
2'057	81	13	9	7
2'134	84	13	10	7
2'210	87	15	10	7
2'286	90	15	10	8
2'515	99	17	11	8
2'743	108	17	12	9
2'972	117	19	12	9
3'200	126	21	13	10
3'429	135	23	14	11
3'658	144	23	15	11
3'810	150	25	15	12

The number of sprockets depends on the belt load and may be different for driving and idling shafts. For calculation of correct sprocket number please use LINK-SeleCalc.

Numbers of sprockets and wearstrips for M5182-R9

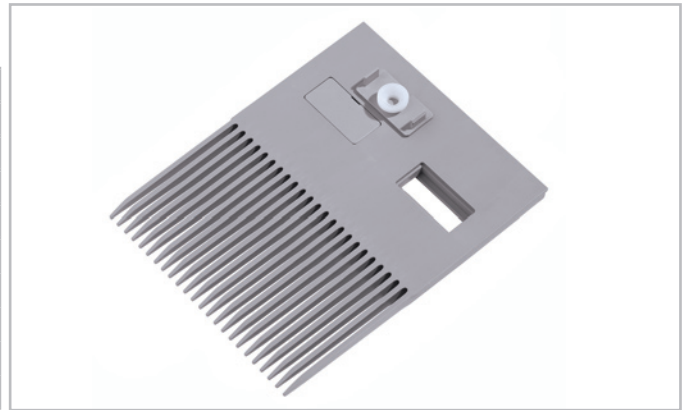
Standard belt width (nominal)		Number of sprockets per shaft		Number of wearstrips	
mm	<i>inch</i>	Drive shaft (loaded shaft)	Idling shaft (unloaded shaft)	Carryway (top)	Returnway (bottom)
152	6	3	2	3	2
203	8	4	2	4	2
254	10	5	3	5	3
305	12	6	3	6	3
356	14	7	4	7	4
406	16	8	4	8	4
457	18	9	5	9	5
508	20	10	5	10	5
559	22	11	6	11	6
610	24	12	6	12	6
660	26	13	7	13	7
711	28	14	7	14	7
762	30	15	8	15	8
813	32	16	8	16	8
864	34	17	9	17	9
914	36	18	9	18	9
965	38	19	10	19	10
1'016	40	20	10	20	10
1'067	42	21	11	21	11
1'118	44	22	11	22	11
1'168	46	23	12	23	12
1'219	48	24	12	24	12
1'270	50	25	13	25	13
1'321	52	26	13	26	13
1'372	54	27	14	27	14
1'422	56	28	14	28	14
1'473	58	29	15	29	15
1'524	60	30	15	30	15
1'575	62	31	16	31	16
1'626	64	32	16	32	16
1'676	66	33	17	33	17
1'727	68	34	17	34	17
1'778	70	35	18	35	18
1'829	72	36	18	36	18
1'880	74	37	19	37	19
1'930	76	38	19	38	19
1'981	78	39	20	39	20
2'032	80	40	20	40	20

The number of sprockets depends on the belt load and may be different for driving and idling shafts. For calculation of correct sprocket number please use LINK-SeleCalc.

Long tooth comb M5131C15

Installation data

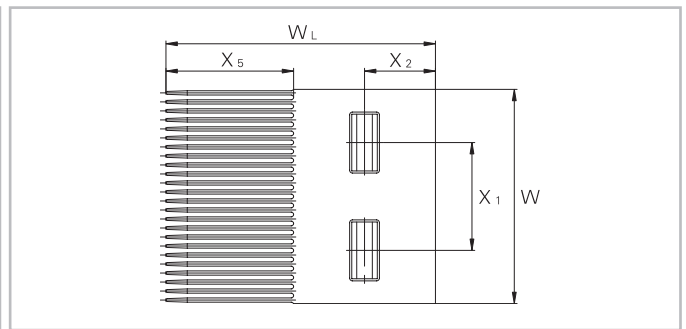
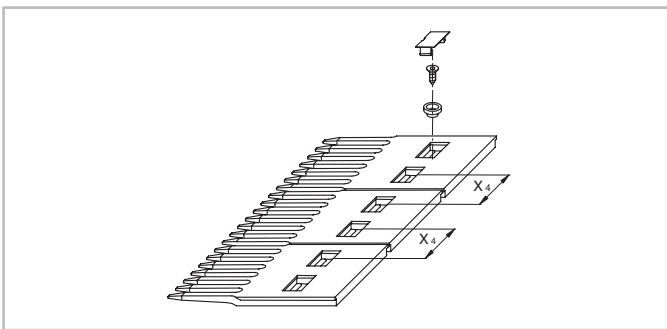
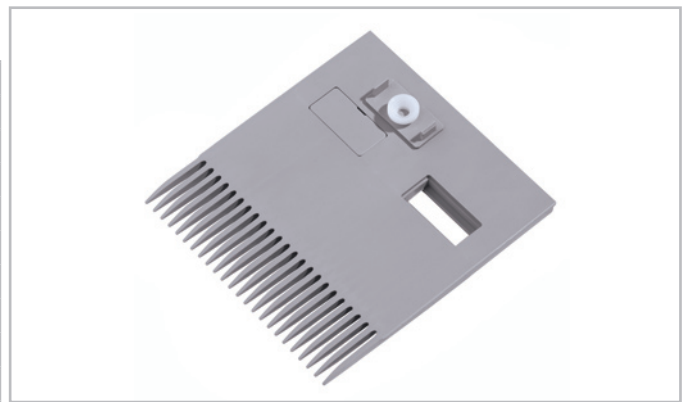
Dimensions	mm	inch
W	151	5.9
W _L	190	7.5
X ₁	76	3.0
X ₂	50	2.0
X ₃	100 – 110	3.9 – 4.3
X ₄	76	3.0
X ₅	90	3.5
K	12	0.5
Y	$d_p/2+4$	$d_p/2+0.2$



Short tooth comb M5131C16

Installation data

Dimensions	mm	inch
W	151	5.9
W _L	165	6.5
X ₁	76	3.0
X ₂	50	2.0
X ₃	100	3.9
X ₄	76	3.0
X ₅	40	1.6
K	12	0.5
Y	$d_p/2+4$	$d_p/2+0.2$



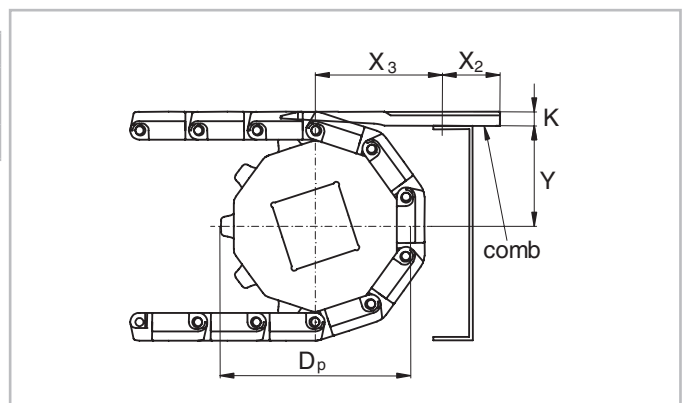
Material data

Material	Acetal dry (wet)
Temperature range	°C: -40 – 90 (-40 – 60) °F: -40 – 195 (-40 – 140)
Color	grey

Other materials on request.

Note

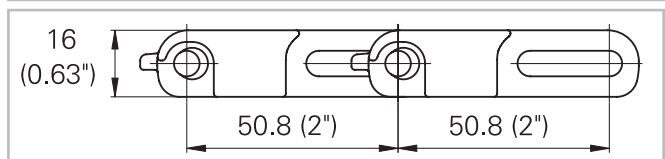
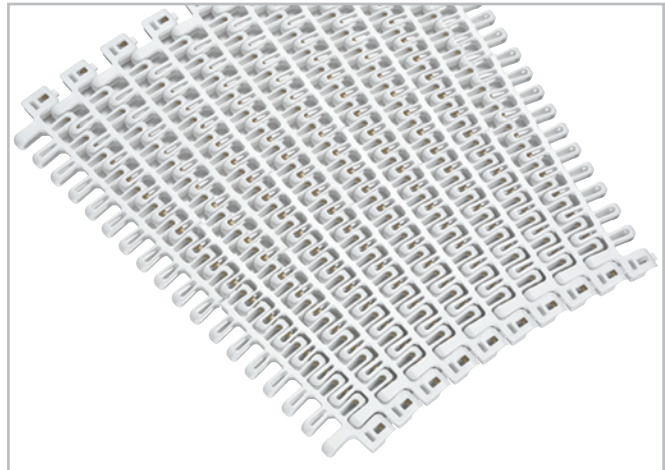
The combs are fixed using a special distance bushing that allows lateral movement. This allows the combs to adapt their position to the lateral displacement of the belt, caused by thermal expansion. For belt widths up to 300 mm (12"), the plates can be firmly fixed (2 plates max.). The fixation of the comb support should be adjustable to allow fine tuning.



HabasitLINK® Radius 2" Pitch Belting M5290 Radius Flush Grid 2"

Description

- For radius and straight conveying, ideal for spiral applications (collapse factor 2.2)
- 55% open area; 85% open contact area; largest opening 15x17 mm (0.6"x0.67")
- Imperial belt width
- Food approved materials
- Excellent for cooling and draining
- Rod diameter 6 mm (0.24")
- Smart Fit rod retention
- Large distance between wearstrips possible; max. 635 mm (25")
- Min. width 508 mm (20")



Available accessories

- Sideguards

Belt data

Belt material		PP	POM +JM
Rod material		POM	PA
Nominal tensile strength F'_N straight run	N/m lb/ft	15000 1028	21000 1439
Nominal tensile strength F_N in curve ⁽¹⁾	N lbf	2330 516	2500 562
Temperature range	°C °F	5 - 93 40 - 200	-40 - 93 -40 - 200
Belt weight m_B	kg/m ² lb/sqft	5.2 1.07	8.1 1.66

⁽¹⁾ For $b_0 > 610$ mm (24") higher values are admissible.

Diameter of idling rollers (minimum)		Diameter of support rollers (minimum)		Diameter for gravity take-up and center drive rollers (minimum)		Backbending radius for elevators without sideguards or hold down devices (minimum)	
mm	inch	mm	inch	mm	inch	mm	inch
100	4	100	4	150	6	150	6

Standard range of belt widths b_0 and collapse factor Q ($R_{min} = Q \times b_0$)

Belt width mm (nom.)	508	559	610	660	711	762	813	864	914	965	1016	1067	1118	1168
Belt width inch (nom.)	20	22	24	26	28	30	32	34	36	38	40	42	44	46
Collapse factor Q	2.13	2.14	2.15	2.16	2.17	2.18	2.18	2.19	2.19	2.19	2.20	2.20	2.20	2.21
Belt width mm (nom.)	1219	1270	1321	1372	1422	1473	1524	1575						
Belt width inch (nom.)	48	50	52	54	56	58	60	62						
Collapse factor Q	2.21	2.21	2.21	2.21	2.22	2.22	2.22	2.22						

Belt widths larger than 1600 mm (63") are not recommended; please contact Habasit.
Real belt widths are in most cases 0.1% to 0.3% smaller.

HabasitLINK® Radius 2" Pitch Belting M5290 Radius Flush Grid 2"

Standard belt widths in increments of 1" (25.4 mm).

For detailed material properties refer to pages 276 - 281 or contact your Habasit representative.

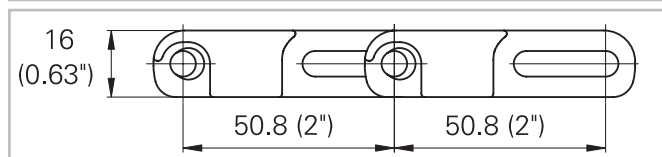
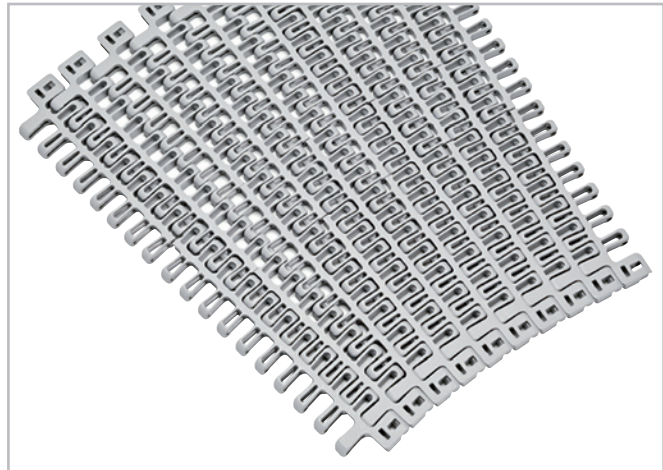
The nominal tensile strength is valid for 23 °C (73 °F). The admissible tensile force depends on the operating temperature near the drive sprockets. Within the temperature range allowed, the admissible tensile force may vary from 100% to 20% of the nominal tensile strength. For detailed information and correct calculation of effective tensile force refer to the Calculation Guide in the HabasitLINK® Engineering Guidelines.

Description

- For radius and straight conveying, ideal for spiral applications (collapse factor 1.6)
- 55% open area; 85% open contact area; largest opening 15x17 mm (0.6"x0.67")
- Imperial belt width
- Food approved materials
- Excellent for cooling and draining
- Rod diameter 6 mm (0.24")
- Smart Fit rod retention
- Large distance between wearstrips possible; max. 635 mm (25")
- Min. width 508 mm (20")

Available accessories

- Sideguards



Belt data

Belt material		PP	POM +JM
Rod material		POM	PA
Nominal tensile strength F'_N straight run	N/m lb/ft	15000 1028	21000 1439
Nominal tensile strength F_N in curve ⁽¹⁾	N lbf	2330 516	2500 562
Temperature range	°C °F	5 - 93 40 - 200	-40 - 93 -40 - 200
Belt weight m_B	kg/m ² lb/sqft	5.2 1.07	8.1 1.66

⁽¹⁾ For $b_0 > 610$ mm (24") higher values are admissible.

Diameter of idling rollers (minimum)		Diameter of support rollers (minimum)		Diameter for gravity take-up and center drive rollers (minimum)		Backbending radius for elevators without sideguards or hold down devices (minimum)	
mm	inch	mm	inch	mm	inch	mm	inch
100	4	100	4	150	6	150	6

Standard range of belt widths b_0 and collapse factor Q ($R_{min} = Q \times b_0$)

Belt width mm (nom.)	508	559	610	660	711	762	813	864	914	965	1016	1067	1118	1168
Belt width inch (nom.)	20	22	24	26	28	30	32	34	36	38	40	42	44	46
Collapse factor Q	1.49	1.50	1.51	1.52	1.53	1.53	1.54	1.54	1.55	1.56	1.56	1.57	1.57	1.58
Belt width mm (nom.)	1219	1270	1321	1372	1422	1473	1524	1575						
Belt width inch (nom.)	48	50	52	54	56	58	60	62						
Collapse factor Q	1.60	1.62	1.63	1.65	1.66	1.67	1.68	1.69						

Belt widths larger than 1600 mm (63") are not recommended; please contact Habasit.

Real belt widths are in most cases 0.1% to 0.3% smaller.

HabasitLINK® Radius 2" Pitch Belting M5293 Tight Radius 2"

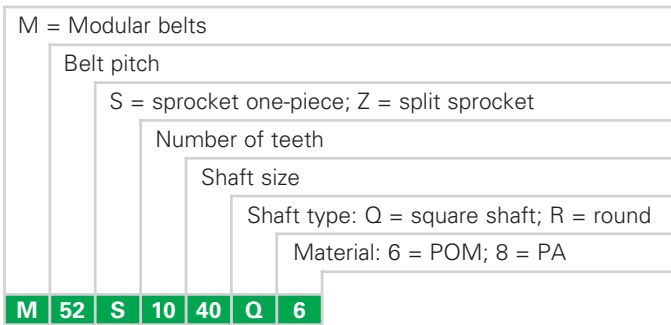
Standard belt widths in increments of 1" (25.4 mm).

For detailed material properties refer to pages 276 - 281 or contact your Habasit representative.

The nominal tensile strength is valid for 23 °C (73 °F). The admissible tensile force depends on the operating temperature near the drive sprockets. Within the temperature range allowed, the admissible tensile force may vary from 100% to 20% of the nominal tensile strength. For detailed information and correct calculation of effective tensile force refer to the Calculation Guide in the HabasitLINK® Engineering Guidelines.

HabasitLINK® Sprockets - 2" Pitch Belting

Sprocket Series M5200



Sprocket availability

Type	Number of teeth	Diam. of pitch $\varnothing d_p$		A_1		Hub width B_L		Square bore Q		Standard material
		mm	inch	mm	inch	mm	inch	mm	inch	
S	10	165.1	6.5	74.2	2.92	22.7	0.89	40 / 60	1.5 / 2.5	POM
S	12	197.2	7.8	90.4	3.56	22.7	0.89	40 / 60	1.5 / 2.5	POM

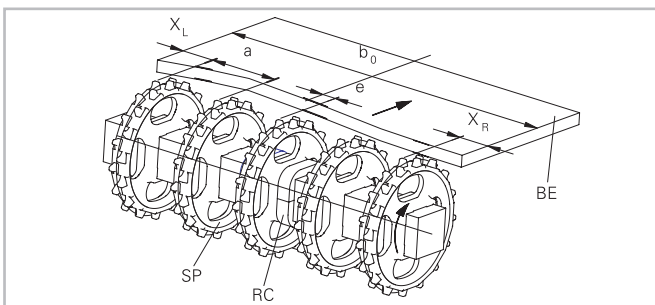
S: molded sprockets. Other sprocket and hub sizes on request.

Key ways for round bore shape follow European standards for metric sizes and US standards for imperial sizes. For detailed dimensions see table in the Design Guide.

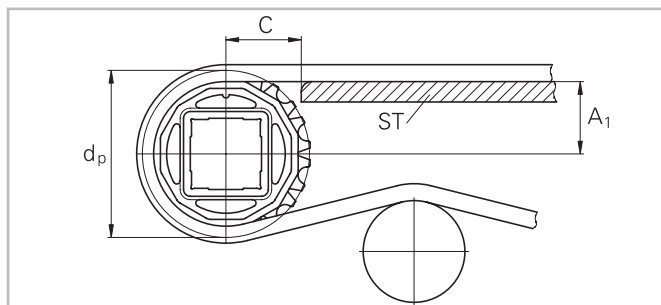
Other materials available on request.



Sprocket arrangement



- BE** Belt
- RC** Retainer
- SP** Sprocket
- b₀** belt width



The distance **C** between the sprocket axis and the slider support **ST** is minimal 53 mm (2.1").

Wearstrips

Between driving shaft and idling sprockets or rollers the belt is carried by a slider support furnished with longitudinal wear strips from UHMW Polyethylene or other suitable material.

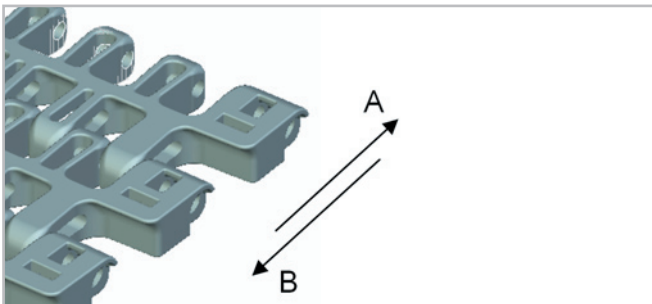
HabasitLINK® Sprockets - 2" Pitch Belting

Sprocket Series M5200

Sprocket positioning

For correct positioning of the center sprocket divide the belt width by the link increment. The rounded result will be an even or an odd number. These numbers are the criteria for offset or no offset, see table.

Belt type	Sprocket spacing a		Sprocket edge distance (minimal)		Criteria for center sprocket position	Result of formula (rounded)	Offset e	Remarks
	minimal	maximal	X_L	X_R				
	mm inch	mm inch	mm inch	mm inch				
M5290	50.8	152.4	53.5	39.4	$b_o / 25.4$	even number (2, 4, 6 ...)	6.35	right in running direction A left in running direction B
M5293	2	6	2.11	1.55	$b_o / 1$	odd number (3, 5, 7 ...)	6.35 0.25	left in running direction A right in running direction B



Numbers of sprockets and wearstrips for M5290 and M5293

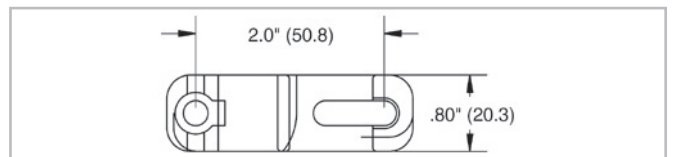
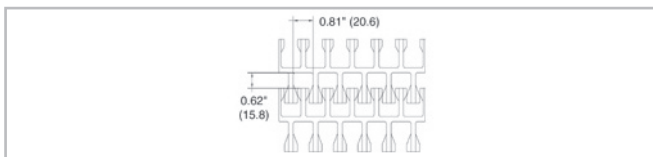
Standard belt width (nominal)		Number of sprockets per shaft	Number of wearstrips	
<i>inch</i>	mm	min. number	Carryway (top)	Returnway (bottom)
20	508	3	2	2
22	559	3	2	2
24	610	3	2	2
26	660	3	2	2
28	711	5	2	3
30	762	5	3	2
32	813	5	3	2
34	864	5	3	2
36	914	5	3	2
38	965	5	3	2
40	1016	5	3	2
42	1067	5	3	2
44	1118	7	3	2
46	1168	7	3	2
48	1219	7	3	2
50	1270	7	3	2
52	1321	7	3	2
54	1372	7	3	2
56	1422	7	4	3
58	1473	7	4	3
60	1524	9	4	3
62	1575	9	4	3

The number of sprockets depends on the belt load and may be different for driving and idling shafts. For calculation of correct sprocket number please use LINK-SeleCalc.

KVP® Straight 2" Pitch Belting SP620 (All-In-One)

Description

- 2 inch pitch
- 76% open area
- Food approved materials
- Connecting rod diameter = 0.250 inch (6.4 mm)
- Standard belt width increments = 3 inch (76.2 mm) nominal, starting from 6 inches (152.4 mm)
- Non-standard widths available in 1 inch (25.4 mm) increments from 5 inches (127 mm) upon request
- Material selection may affect belt width — please contact your local partner for actual dimensions

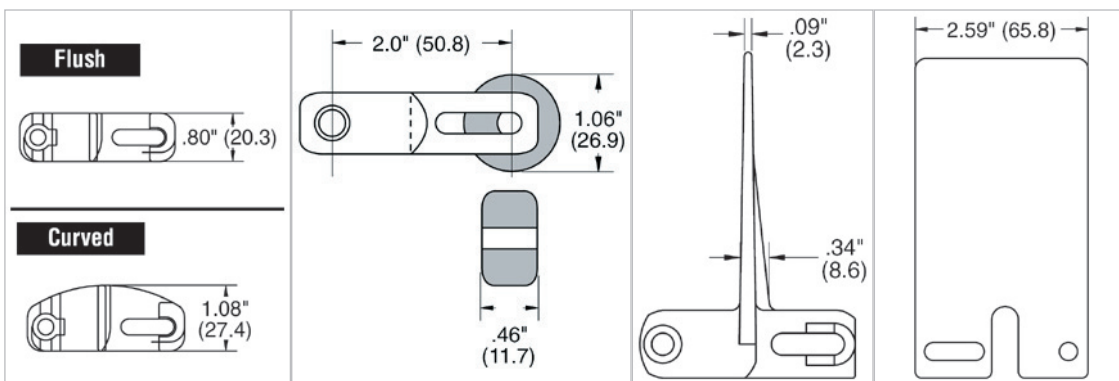


Belt data

Belt material		PP	PE	POM	Nylon (PA 66)
Rod material		PP	PE	PP	
Nominal tensile strength F_N^1 straight run	N/m	26268	21014	39402	39402
	lb/ft	1800	1440	2700	2700
Temperature range	°C	5 - 105	-70 - 65	5 - 93	5 - 118
	°F	40 - 220	-94 - 150	40 - 200	40 - 245
Belt weight m_B	kg/m ²	7.6	8.0	11.5	9.6
	lb/sqft	1.56	1.63	2.36	1.97
Standard belt color		gray	white	blue/off-white	dark gray

Additional belt colors and materials available, abrasive resistant Nylon (Polyamide) rods available – contact your local partner.

Belt accessories



Inserts

Note: Inserts may affect belt pull - please contact your local partner.

Rollers

Standard flight

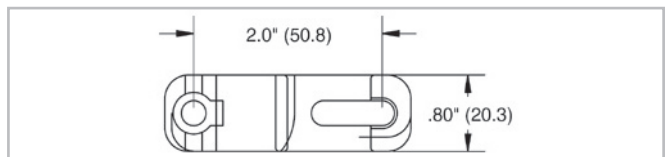
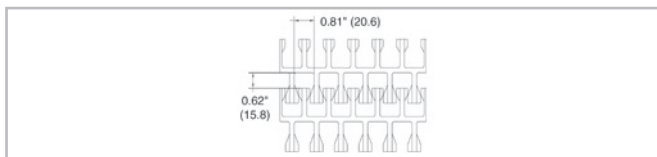
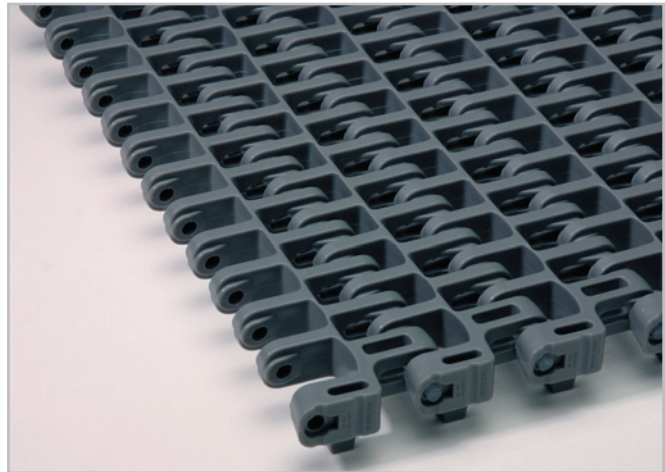
Standard flights are available in 1", 2", and 3" heights. High friction flights available — please contact your local partner.

Sideplates

Available in 4" heights. Note: Sideplates must be indented 1/4" minimum from outside edge of belt.

Description

- 2 inch pitch
- 76% open area
- Food approved materials
- Connecting rod diameter = 0.250 inch (6.4 mm)
- Standard belt width increments = 3 inch (76.2 mm) nominal, starting from 7.25 inches (184.2 mm)
- Non-standard widths available in 1 inch (25.4 mm) increments from 5 inches (127 mm) upon request
- Material selection may affect belt width — please contact your local partner for actual dimensions



Belt data

Belt material		PP	PE	POM	Nylon (PA 66)
Rod material		PP	PE	PP	PP
Nominal tensile strength F'_N straight run	N/m	26268	21014	39402	39402
	lb/ft	1800	1440	2700	2700
Temperature range	°C	5 - 105	-70 - 65	5 - 93	5 - 118
	°F	40 - 220	-94 - 150	40 - 200	40 - 245
Belt weight m_B	kg/m ²	8.6	8.9	12.5	10.5
	lb/sqft	1.76	1.82	2.56	2.15
Standard belt color		gray	white	blue/off-white	dark gray

Additional belt colors and materials available, abrasive resistant Nylon (Polyamide) and stainless steel rods available - contact your local partner.

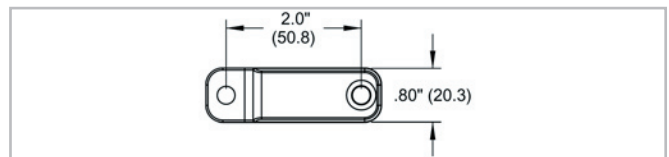
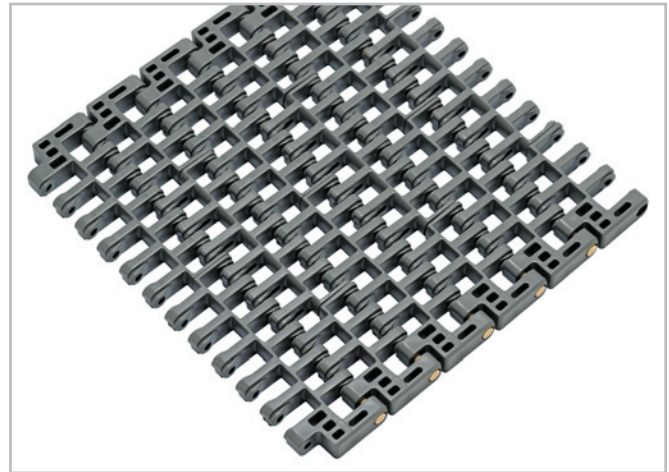
Belt accessories

	<p>Flush</p> <p>Curved</p>			
<p>Hold down tabs</p>	<p>Inserts Note: Inserts may affect belt pull — please contact your local partner.</p>	<p>Rollers</p>	<p>Standard flight Standard flights are available in 1", 2", 3" and 4" heights. Standard flight indent is 1-3/4" or greater from outside edge of belt. High friction flights available — please contact your local partner.</p>	<p>Sideplates Available in 4" heights. Note: Sideplates must be indented 1 3/4" from outside edge of belt.</p>

KVP® Straight 2" Pitch Belting SE620 (Straight Edge)

Description

- 2 inch pitch
- 76% open area
- Food approved materials
- Connecting rod diameter = 0.250 inch (6.4 mm)
- Standard belt width increments = 3 inch (76.2 mm) nominal, starting from 7.25 inches (184.2 mm)
- Non-standard widths available in 1 inch (25.4 mm) increments from 7.25 inches (184.2 mm) upon request
- Material selection may affect belt width — please contact your local partner for actual dimensions

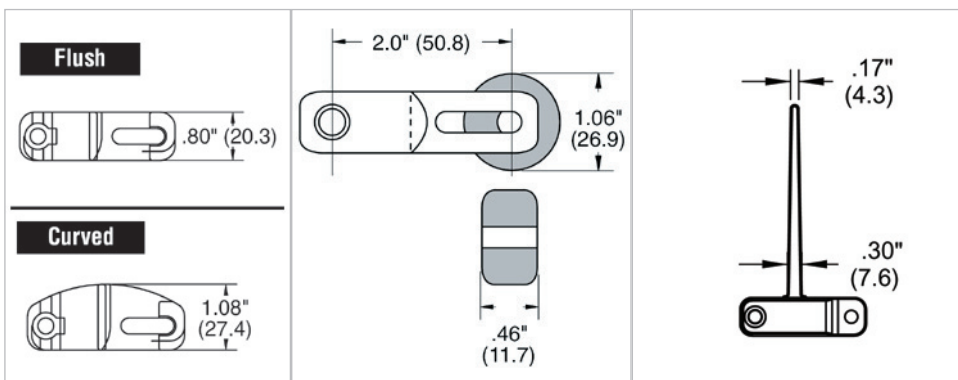


Belt data

Belt material		PP	Nylon (PA 66)	PBT
Rod material		PP	PA	
Nominal tensile strength F_N^1 straight run	N/m lb/ft	26268 1800	39402 2700	39402 2700
Temperature range	°C °F	5 - 105 40 - 220	-40 - 118 -40 - 245	-40 - 118 -40 - 245
Belt weight m_B	kg/m ² lb/sqft	8.6 1.76	10.5 2.15	13.0 2.67

Diameter of idling rollers (minimum)		Diameter of support rollers (minimum)		Diameter for gravity take-up and center drive rollers (minimum)		Backbending radius for elevators without sideguards or hold down devices (minimum)	
mm	inch	mm	inch	mm	inch	mm	inch
90	3.5	100	4	150	6	100	4

Belt accessories



Inserts

Note: Inserts may affect belt pull - please contact your local partner.

Rollers

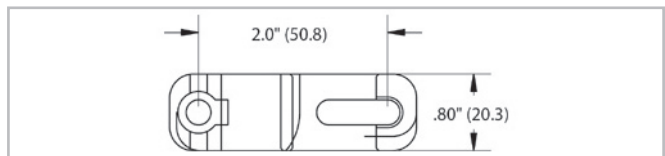
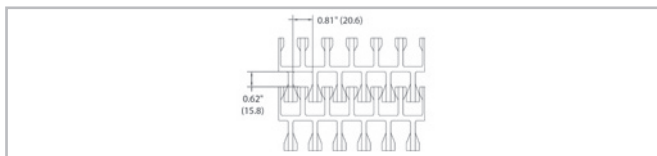
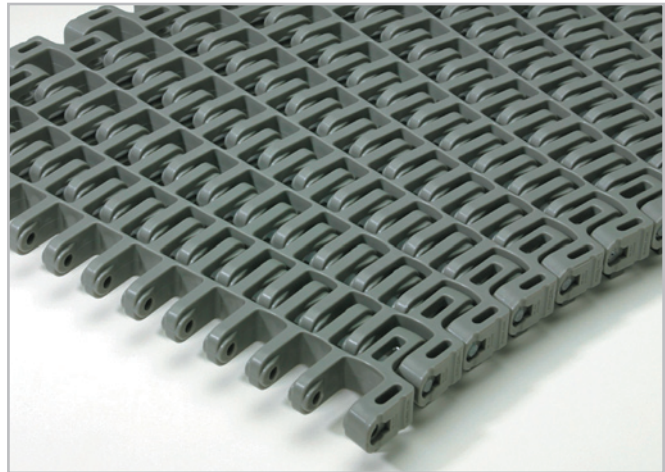
Standard flights

Standard flights are available in 4" & 6" heights. They can be cut to 1", 2", 3", & 5".

KVP® Radius 2" Pitch Belting IS620-R (All-In-One)

Description

- 2 inch pitch
- Belt turning radius equals 2.2 times the nominal belt width up to 24 inches (609.6 mm)
- Belt turning radius equals 2.5 times the nominal belt width over 24 inches (609.6 mm)
- 75% open area
- Food approved materials
- Bi-directional
- Connecting rod diameter = 0.250 inch (6.4 mm)
- Standard belt width increments = 3 inch (76.2 mm) nominal, starting from 7.25 inches (184.2 mm)
- Non-standard widths available in 1 inch (25.4 mm) increments starting at 5 inches (127 mm) upon request
- Material selection may affect belt width — please contact your local partner for actual dimensions

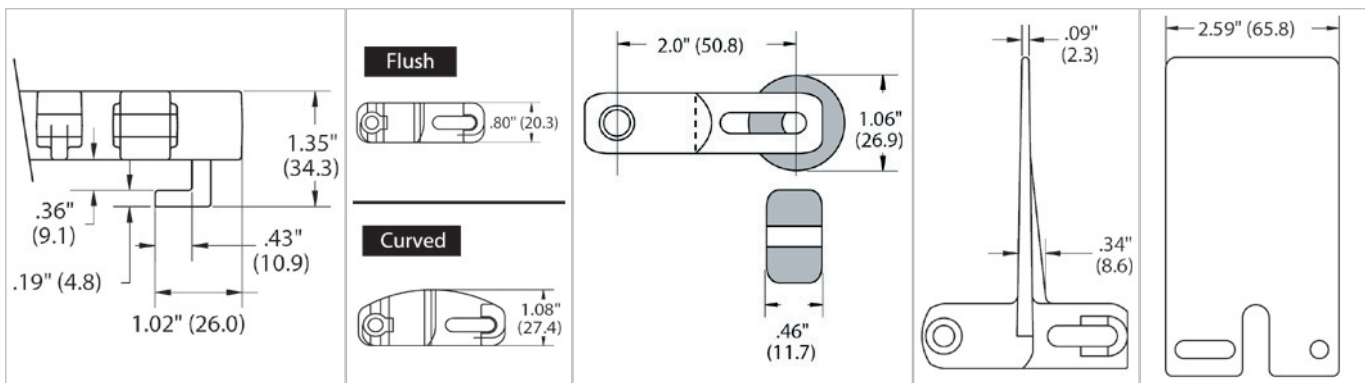


Belt data

Belt material		PP	PE	POM	Nylon (PA 66)
Rod material		PP	POM	Nylon (PA)	
Nominal tensile strength F_N in curve ⁽¹⁾	N lbf	1957 440	1557 350	3114 700	3114 700
Temperature range	°C °F	5 - 105 40 - 220	-40 - 65 -40 - 150	-40 - 93 -40 - 200	-40 - 118 -40 - 245
Belt weight m_B	kg/m ² lb/sqft	8.6 1.76	8.9 1.82	12.5 2.56	10.5 2.15
Standard belt color		gray	white	blue/off-white	dark gray

Additional belt colors and materials available, abrasive resistant Nylon (Polyamide) and stainless steel rods available - contact your local partner.

Belt accessories



Hold down tabs

Inserts

Note: Inserts may affect belt pull — please contact your local partner.

Rollers

Standard flight

Standard flights are available in 1", 2", 3" and 4" heights. Standard flight indent is 1-3/4" or greater from outside edge of belt. High friction flights available.

Sideplates

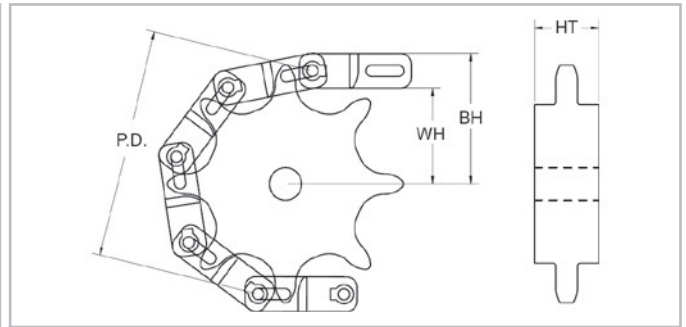
Available in 4" heights. Note: Sideplates must be indented 1 3/4" from outside edge of belt.



Molded sprocket



Machined sprocket



Sprocket part number	Number of teeth	(PD) Nominal pitch diameter		(WH) Shaft center to top of wearstrip		(BH) Shaft center to top of belt		(HT) Hub thickness	
		inch	mm	inch	mm	inch	mm	inch	mm
SP72006	6	4.00	102	1.34	34	2.13	54	1.25	32
72008M	8	5.23	133	2.01	51	2.82	72	1.5	38
72010M	10	6.47	164	2.64	67	3.44	87	1.5	38
SP72011	11	7.1	180	3.00	76	3.81	97	1.25	32
72012M	12	7.73	196	3.35	85	4.13	105	1.5	38
SP72015	15	9.62	244	4.29	109	5.10	130	1.25	32
SP72018	18	11.52	293	5.28	134	6.07	154	1.25	32

M = molded sprocket

Split sprockets and other tooth sizes are available. Standard machined sprocket material is UHMW, Nylon and Urethane are available. Please contact your local partner.

Sprocket part number	Available bore size															
	25 mm	1"	1" sq.	30 mm	1-1/4"	1-7/16"	1-1/2"	1-1/2" sq.	40 mm	40 mm sq.	1-15/16"	50 mm	2" sq.	60 mm	60 mm sq.	2-1/2" sq.
SP72006	✓	✓	✓	✓	✓	✓	✓	✓	✓	✓	-	-	-	-	-	-
72008M	-	✓	-	✓	✓	✓	✓	✓	✓	✓	✓	-	-	-	-	-
72010M	-	✓	-	✓	✓	✓	✓	✓	-	✓	-	-	-	-	-	✓
SP72011	✓	✓	✓	✓	✓	✓	✓	✓	✓	✓	✓	✓	✓	✓	✓	✓
72012M	-	✓	-	✓	✓	✓	✓	✓	-	-	-	-	-	-	-	✓
SP72015	✓	✓	✓	✓	✓	✓	✓	✓	✓	✓	✓	✓	✓	✓	✓	✓
SP72018	✓	✓	✓	✓	✓	✓	✓	✓	✓	✓	✓	✓	✓	✓	✓	✓

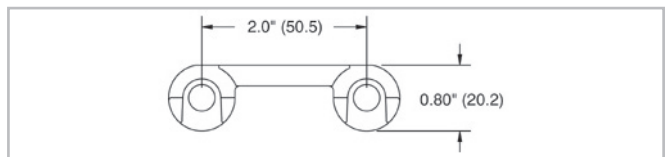
M = molded sprocket

All bore sizes are round bore unless designated square (sq.).

KVP® Straight 2" Pitch Belting HDS620 (Heavy Duty)

Description

- 2 inch pitch
- Solid top surface
- Food approved materials
- Bi-directional
- Connecting rod diameter = 0.312 inch (7.9 mm)
- Standard belt width increments = 1 inch (25.4 mm) nominal, starting from 4 inches (101.6 mm)
- Material selection may affect belt width — please contact your local partner for actual dimensions

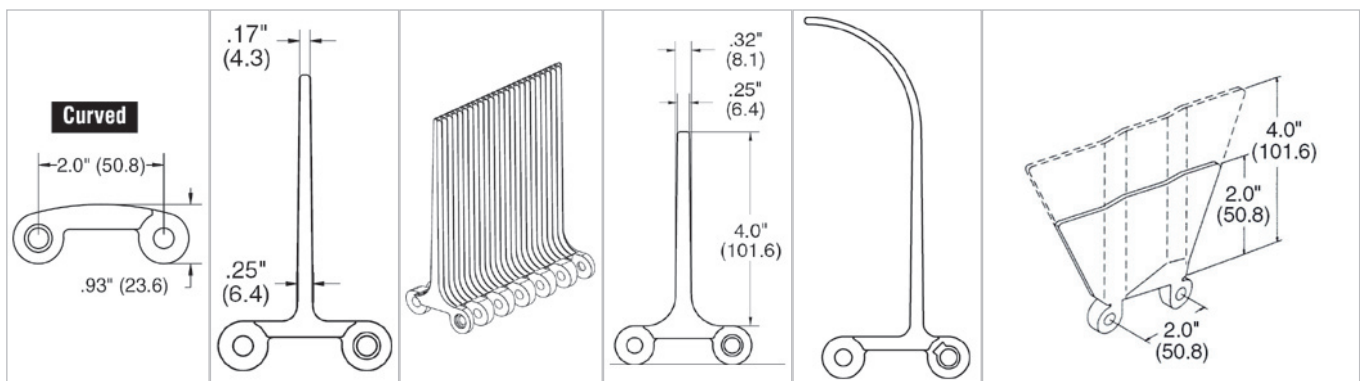


Belt data

Belt material		PP	PP +DE	PE	POM	Nylon (PA +IM)
Rod material		PP		PE	PE	
Nominal tensile strength F'_N	N/m	26268	21010	20430	30646	30646
straight run	lb/ft	1800	1440	1400	2100	2100
Temperature range	°C	5 - 105	5 - 105	-70 - 65	-40 - 93	-40 - 80
	°F	40 - 220	40 - 220	-94 - 150	-40 - 200	-40 - 176
Belt weight m_B	kg/m ²	7.8	6.2	8.0	11.5	10.0
	lb/sqft	1.59	1.27	1.64	2.35	2.05
Standard belt color		gray/white	dark gray	blue/white	blue/white	cream

Additional belt colors and materials available, abrasive resistant Nylon (Polyamide) rods available – contact your local partner.

Belt accessories



Inserts
Note: Inserts may affect belt pull - please contact your local partner.

Standard flight
Standard flights are available in 1", 2", 4" and 6" heights.

Easy release flight
Note: Available in 6" height only - all other dimensions are the same as Rough duty flight.

Rough duty flight

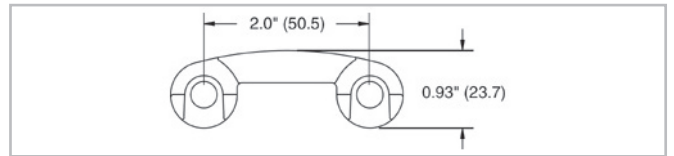
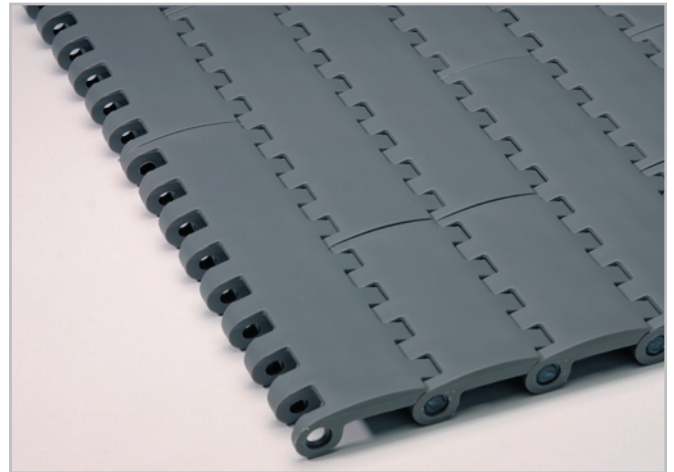
Curved flight
Curved flights available in standard 4" & 6" heights.

Sideplate
Sideplates available in standard 2" & 4" heights. Do not use with 8 & 10 tooth sprockets. Sprockets must be big enough to keep plates from hitting each other. Note: Sideplates must be indented a minimum of 1-1/4" from outside edge of belt.

KVP® Straight 2" Pitch Belting HDSCT620 (Heavy Duty Curved Top)

Description

- 2 inch pitch
- Reduced product contact and constant scraper contact capability
- Food approved materials
- Bi-directional
- Connecting rod diameter = 0.312 inch (7.9 mm)
- Standard belt width increments = 1 inch (25.4 mm) nominal, starting from 4 inches (101.6 mm)
- Material selection may affect belt width — please contact your local partner for actual dimensions

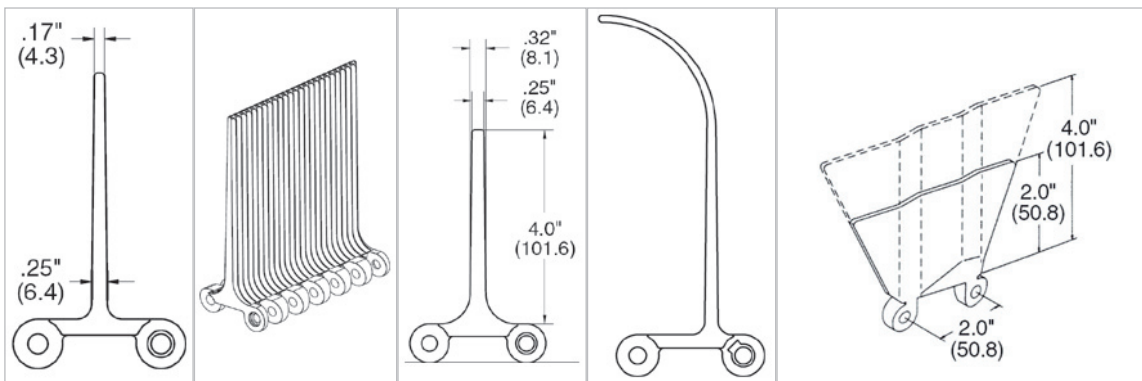


Belt data

Belt material		PP	PP +DE	PE	POM	Nylon (PA +IM)
Rod material		PP		PE	PE	
Nominal tensile strength F'_N straight run	N/m lb/ft	26268 1800	21010 1440	20430 1400	30646 2100	30646 2100
Temperature range	°C	5 - 105	5 - 105	-70 - 65	-40 - 93	-40 - 80
	°F	40 - 220	40 - 220	-94 - 150	-40 - 200	-40 - 176
Belt weight m_B	kg/m ²	7.8	6.2	8.0	11.5	10.0
	lb/sqft	1.59	1.27	1.64	2.35	2.05
Standard belt color		gray/white	dark gray	blue/white	blue/white	cream

Additional belt colors and materials available, abrasive resistant Nylon (Polyamide) rods available – contact your local partner.

Belt accessories



Standard flight

Standard flights are available in 1", 2", 4" and 6" heights.

Easy release flight

Note: Available in 6" height only - all other dimensions are the same as Rough duty flight.

Rough duty flight

Curved flight

Curved flights available in standard 4" & 6" heights.

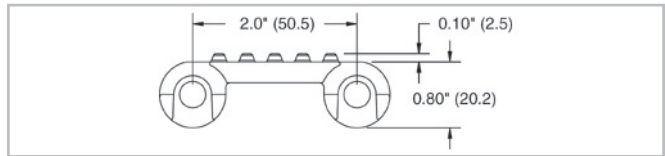
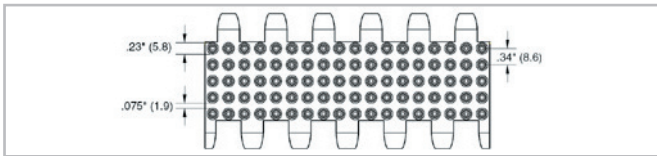
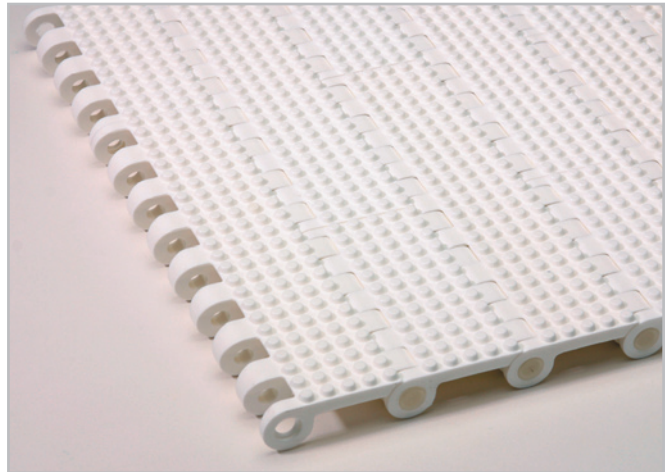
Sideplate

Sideplates available in standard 2" & 4" heights. Do not use with 8 & 10 tooth sprockets. Sprockets must be big enough to keep plates from hitting each other. Note: Sideplates must be indented a minimum of 1-1/4" from outside edge of belt.

KVP® Straight 2" Pitch Belting HDSEZR620 (Heavy Duty Easy Release)

Description

- 2 inch pitch
- Food approved materials
- Bi-directional
- Connecting rod diameter = 0.312 inch (7.9 mm)
- Standard belt width increments = 1 inch (25.4 mm) nominal, starting from 4 inches (101.6 mm)
- Material selection may affect belt width — please contact your local partner for actual dimensions

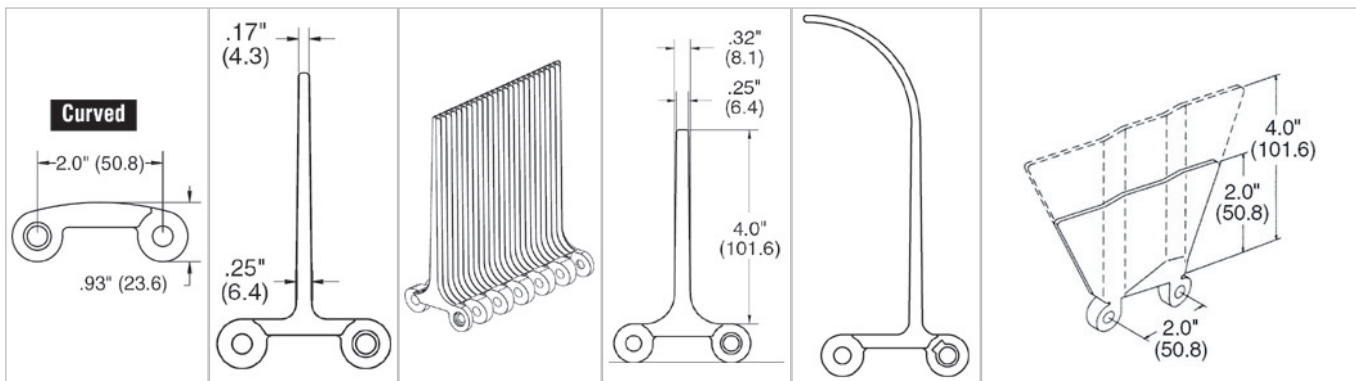


Belt data

Belt material		PP	PE	POM
Rod material		PP	PE	POM
Nominal tensile strength F'_N	N/m lb/ft	26268 1800	20430 1400	30646 2100
Temperature range	°C °F	5 - 105 40 - 220	-70 - 65 -94 - 150	-40 - 93 -40 - 200
Belt weight m_B	kg/m ² lb/sqft	8.3 1.70	8.8 1.80	12.7 2.60
Standard belt color		white	white	white

Additional belt colors and materials available, abrasive resistant Nylon (Polyamide) rods available – contact your local partner.

Belt accessories



Insert
Note: Inserts may affect belt pull - please contact your local partner.

Standard flight
Standard flights are available in 1", 2", 4" and 6" heights.

Easy release flight
Note: Available in 6" height only - all other dimensions are the same as Rough duty flight.

Rough duty flight

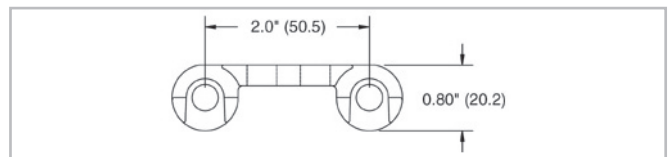
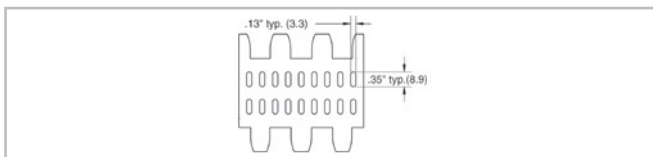
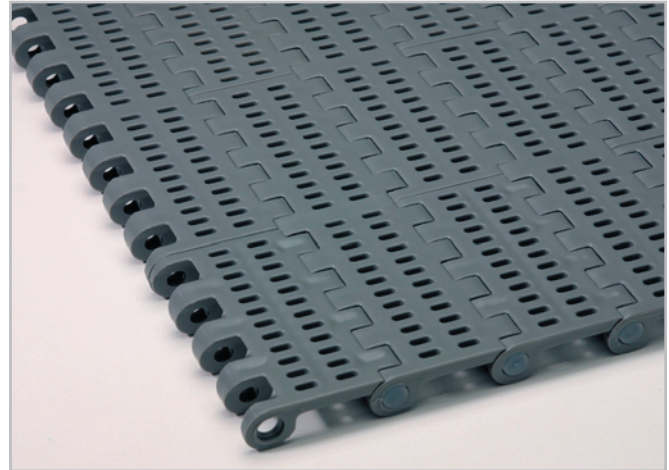
Curved flight
Curved flights available in standard 4" & 6" heights.

Sideplate
Sideplates available in standard 2" & 4" heights. Do not use with 8 & 10 tooth sprockets. Sprockets must be big enough to keep plates from hitting each other. Note: Sideplates must be indented a minimum of 1-1/4" from outside edge of belt.

KVP® Straight 2" Pitch Belting HDSVT620 (Heavy Duty Vented Top)

Description

- 2 inch pitch
- 14% open area
- Food approved materials
- Bi-directional
- Connecting rod diameter = 0.312 inch (7.9 mm)
- Standard belt width increments = 1 inch (25.4 mm) nominal, starting from 4 inch (101.6 mm)
- Material selection may affect belt width — please contact your local partner for actual dimensions

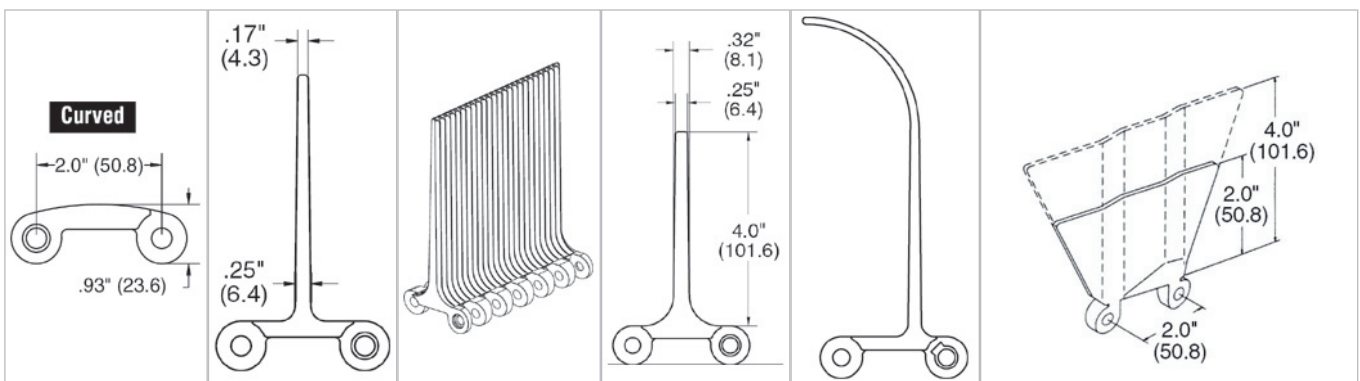


Belt data

Belt material		PP	PE	POM
Rod material		PP	PE	
Nominal tensile strength F_N	N/m lb/ft	26268 1800	20430 1400	30646 2100
Temperature range	°C °F	5 - 105 40 - 220	-70 - 65 -94 - 150	-40 - 93 -40 - 200
Belt weight m_B	kg/m ² lb/sqft	8.3 1.70	8.8 1.80	12.7 2.60
Standard belt color		gray/white	white	white

Additional belt colors and materials available, abrasive resistant Nylon (Polyamide) rods available – contact your local partner.

Belt accessories



Inserts

Note: Inserts may affect belt pull - please contact your local partner.

Standard flight

Standard flights are available in 1", 2", 4" and 6" heights.

Easy release flight

Note: Available in 6" height only - all other dimensions are the same as Rough duty flight.

Rough duty flight

Curved flight

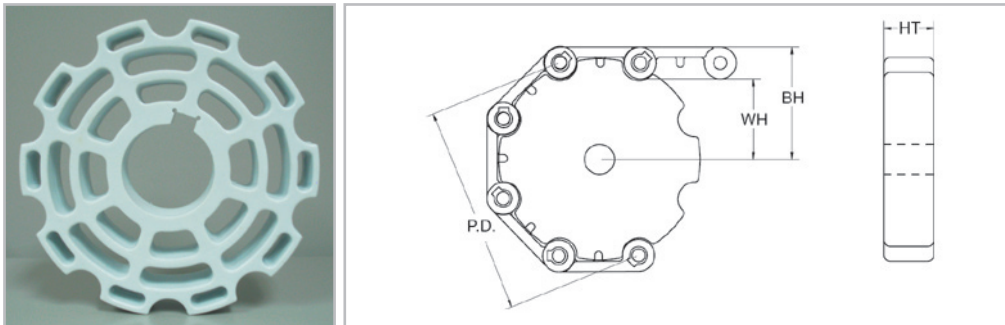
Curved flights available in standard 4" & 6" heights.

Sideplate

Sideplates available in standard 2" & 4" heights. Do not use with 8 & 10 tooth sprockets. Sprockets must be big enough to keep plates from hitting each other. Note: Sideplates must be indented a minimum of 1-1/4" from outside edge of belt.

KVP® Sprockets – 2" Pitch Belting

HDS620, HDSCT620, HDSVT620, HDSEZR620



Machined sprocket

Sprocket part number	Number of teeth	(PD) Nominal pitch diameter		(WH) Shaft center to top of wearstrip		HDS / HDSVT (BH) Shaft center to top of belt		Heavy Duty Curve Top (BH) Shaft center to top of belt curve		Heavy Duty Easy Release (BH) Shaft center to top of belt nub		(HT) Hub thickness	
		inch	mm	inch	mm	inch	mm	inch	mm	inch	mm	inch	mm
HDS72006	6	4.00	102	1.33	34	2.19	56	2.32	59	2.28	58	1.25	32
HDS72008M	8	5.23	133	2.01	51	2.81	71	2.94	75	2.90	74	1.25	32
HDS72010M	10	6.47	162	2.68	68	3.43	87	3.56	90	3.52	89	1.25	32
HDS72010S	10	6.47	162	2.68	68	3.43	87	3.56	90	3.52	89	1.25	32
HDS72012M	12	7.73	196	3.33	86	4.06	103	4.19	106	4.15	105	1.25	32
HDS72016	16	10.25	260	4.63	118	5.49	139	5.62	143	5.58	142	1.25	32

M = molded sprocket, S = machined split sprocket

Split sprockets and other tooth sizes are available. Standard machined sprocket material is UHMW, Nylon and Urethane are available. Please contact your local partner.

Sprocket part number	Available bore size															
	25 mm	1"	1" sq.	30 mm	1-1/4"	1-7/16"	1-1/2"	1-1/2" sq.	40 mm	40 mm sq.	1-15/16"	50 mm	50 mm sq.	60 mm	2"	2-1/2" sq.
HDS72006	✓	✓	✓	✓	✓	✓	✓	✓	✓	✓	✓	✓	✓	-	-	-
HDS72008M	-	✓	-	✓	-	✓	✓	✓	✓	✓	✓	✓	✓	-	✓	-
HDS72010M	-	✓	-	✓	-	✓	✓	✓	✓	✓	✓	✓	✓	✓	✓	✓
HDS72010S	✓	✓	✓	✓	✓	✓	✓	✓	✓	✓	✓	✓	✓	✓	✓	✓
HDS72012M	-	✓	-	✓	-	✓	✓	✓	✓	✓	✓	✓	✓	✓	✓	✓
HDS72016	✓	✓	✓	✓	✓	✓	✓	✓	✓	✓	✓	✓	✓	✓	✓	✓

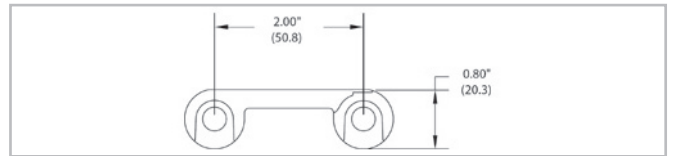
M = molded sprocket, S = machined split sprocket

All bore sizes are round bore unless designated square (sq.).

KVP® Straight 2" Pitch Belting HDU620 ST (Solid Top)

Description

- 2 inch pitch
- Solid top surface
- Food approved materials
- Bi-directional
- Connecting rod diameter = 0.312 inch (7.9 mm)
- Standard belt width increments = 1 inch (25.4 mm) nominal, starting from 4 inches (101.6 mm)
- Material selection may affect belt width — please contact your local partner for actual dimensions



Belt data

Belt material		PP	PP +DE	PE	POM	Nylon (PA 66)	Nylon (PA +IM)
Rod material		PP		PE			
Nominal tensile strength F_N^1 straight run	N/m	26268	21010	20430	30646	30646	30646
	lb/ft	1800	1440	1400	2100	2100	2100
Temperature range	°C	5 - 105	5 - 105	-70 - 65	-40 - 65	-40 - 65	-40 - 80
	°F	40 - 220	40 - 220	-94 - 150	-40 - 150	-40 - 150	-40 - 176
Belt weight m_b	kg/m ²	7.8	6.2	8.0	11.5	10.0	10.0
	lb/sqft	1.59	1.27	1.64	2.35	2.05	2.05
Standard belt color		white/gray/ blue	dark gray	blue/white	blue/white	gray/white	cream

Additional belt colors and materials available, abrasive resistant Nylon (Polyamide) rods available – contact your local partner.

Belt accessories

<p>Curved</p> <p>2.0" (50.8)</p> <p>.93" (23.6)</p>		<p>0.24" (6.01)</p> <p>2.0" (50.80)</p>		<p>4.0" (101.6)</p> <p>2.0" (50.80)</p>
------------------------------------------------------------	--	-----------------------------------------	--	-----------------------------------------

High friction insert

Note: High friction inserts may affect belt pull — please contact your local partner.

Easy release flight

Note: Available in 6" height only — all other dimensions are the same as rough duty flight.

Rough duty flight

Rough duty flights available in standard 2", 4" & 6" heights.

Curved flight

Curved flights available in standard 4" & 6" heights.

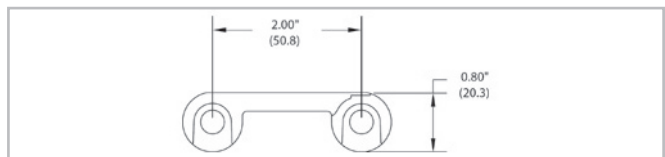
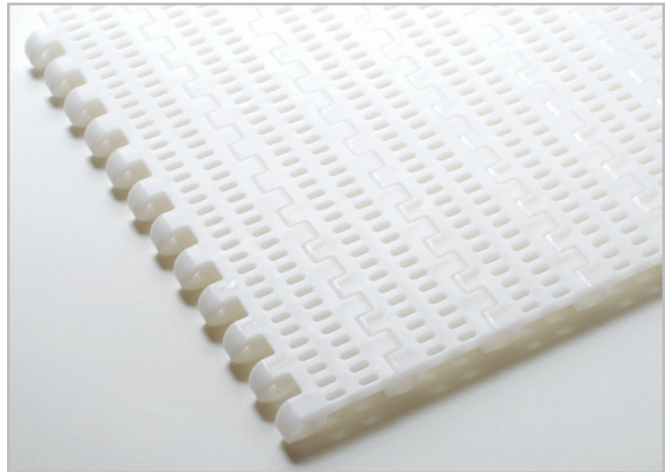
Sideplate

Sideplates are available in standard 2", 3" & 4" heights. Please contact your local partner for indent specifications.

KVP® Straight 2" Pitch Belting HDU620 VT (Vented Top)

Description

- 2 inch pitch
- 14% open area
- Food approved materials
- Bi-directional
- Connecting rod diameter = 0.312 inch (7.9 mm)
- Standard belt width increments = 1 inch (25.4 mm) nominal, starting from 4 inch (101.6 mm)
- Material selection may affect belt width — please contact your local partner for actual dimensions

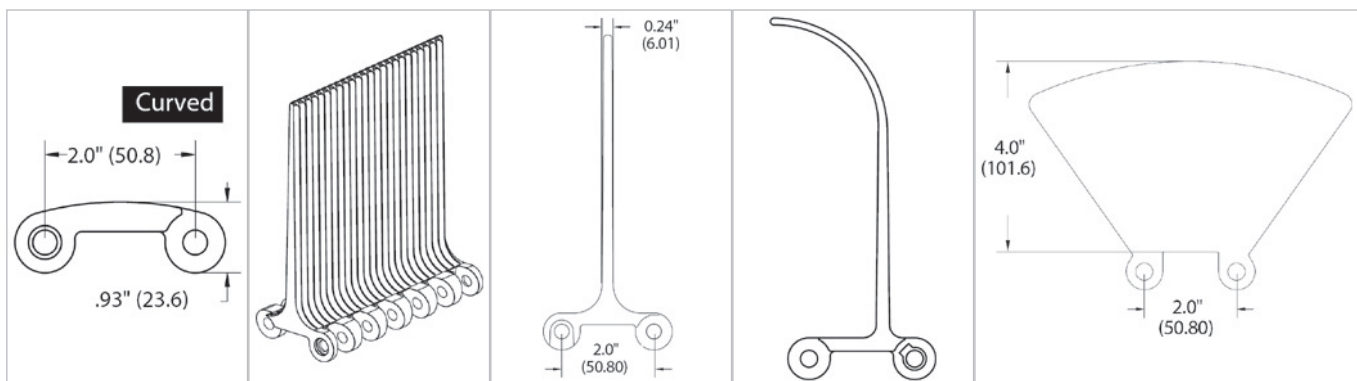


Belt data

Belt material		PP	PE	POM	Nylon (PA +IM)
Rod material		PP	PE	PE	
Nominal tensile strength F'_N	N/m lb/ft	26268 1800	20430 1400	30646 2100	30646 2100
Temperature range	°C	5 - 105	-70 - 65	-40 - 65	-40 - 80
	°F	40 - 220	-94 - 150	-40 - 150	-40 - 176
Belt weight m_B	kg/m ² lb/sqft	7.8 1.59	8.0 1.64	11.5 2.35	10.0 2.05
Standard belt color		gray/white	white	white	cream

Additional belt colors and materials available, abrasive resistant Nylon (Polyamide) rods available – contact your local partner.

Belt accessories

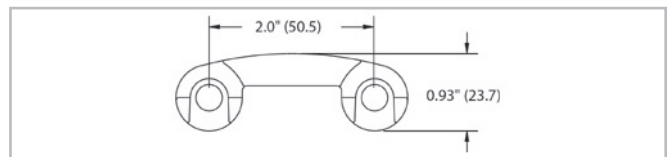
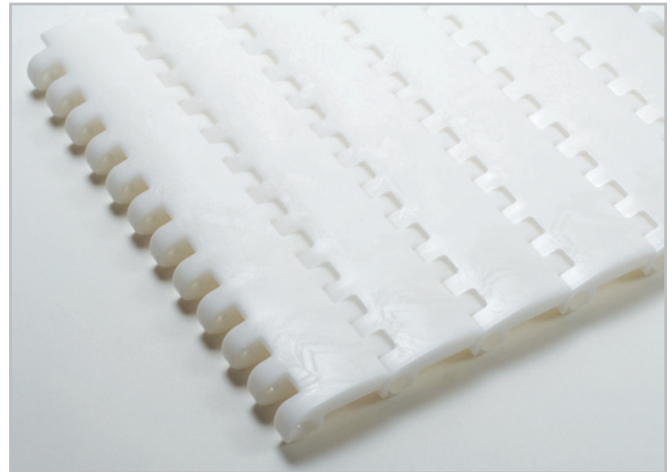


- Inserts**
Note: Inserts may affect belt pull — please contact your local partner.
- Easy release flight**
Note: Available in 6" height only — all other dimensions are the same as Rough duty flight.
- Rough duty flight**
Rough duty flights available in standard 2", 4" & 6" heights.
- Curved flight**
Curved flights available in standard 4" & 6" heights.
- Sideplate**
Sideplates are available in standard 2", 3" & 4" heights. Please contact your local partner for indent specifications.

KVP® Straight 2" Pitch Belting HDU620 CT (Curved Top)

Description

- 2 inch pitch
- Reduced product contact and constant scraper contact capability
- Food approved materials
- Bi-directional
- Connecting rod diameter = 0.312 inch (7.9 mm)
- Standard belt width increments = 1 inch (25.4 mm) nominal, starting from 4 inches (101.6 mm)
- Material selection may affect belt width — please contact your local partner for actual dimensions

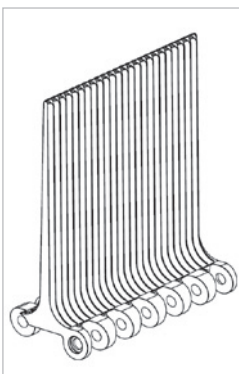


Belt data

Belt material		PP	PE	POM	Nylon (PA +IM)
Rod material		PP	PE	PE	
Nominal tensile strength F_N^1 straight run	N/m lb/ft	26268 1800	20430 1400	30646 2100	30646 2100
Temperature range	°C	5 - 105	-70 - 65	-40 - 65	-40 - 80
	°F	40 - 220	-94 - 150	-40 - 150	-40 - 176
Belt weight m_B	kg/m ²	7.8	8.0	11.5	10.0
	lb/sqft	1.59	1.64	2.35	2.05
Standard belt color		gray	white	white	cream

Additional belt colors and materials available, abrasive resistant Nylon (Polyamide) rods available – contact your local partner.

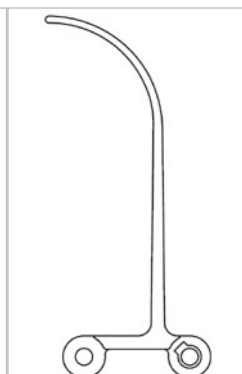
Belt accessories



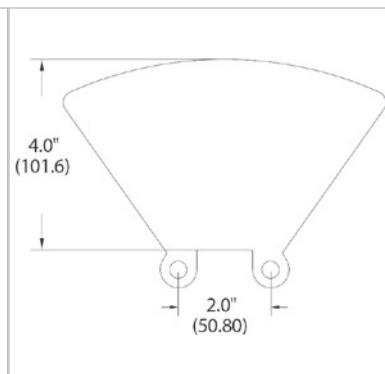
Easy release flight
Note: Available in 6" height only — all other dimensions are the same as Rough duty flight.



Rough duty flight
Rough duty flights available in standard 2", 4" & 6" heights.



Curved flight
Curved flights available in standard 4" & 6" heights.

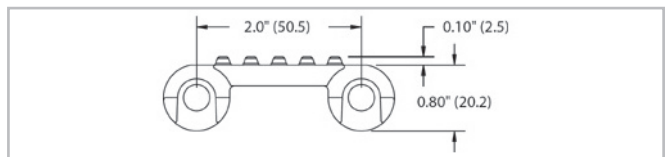


Sideplate
Sideplates are available in standard 2", 3" & 4" heights. Please contact your local partner for indent specifications.

KVP® Straight 2" Pitch Belting HDU620 EZR (Easy Release)

Description

- 2 inch pitch
- Food approved materials
- Bi-directional
- Connecting rod diameter = 0.312 inch (7.9 mm)
- Standard belt width increments = 1 inch (25.4 mm) nominal, starting from 4 inches (101.6 mm)
- Material selection may affect belt width — please contact your local partner for actual dimensions

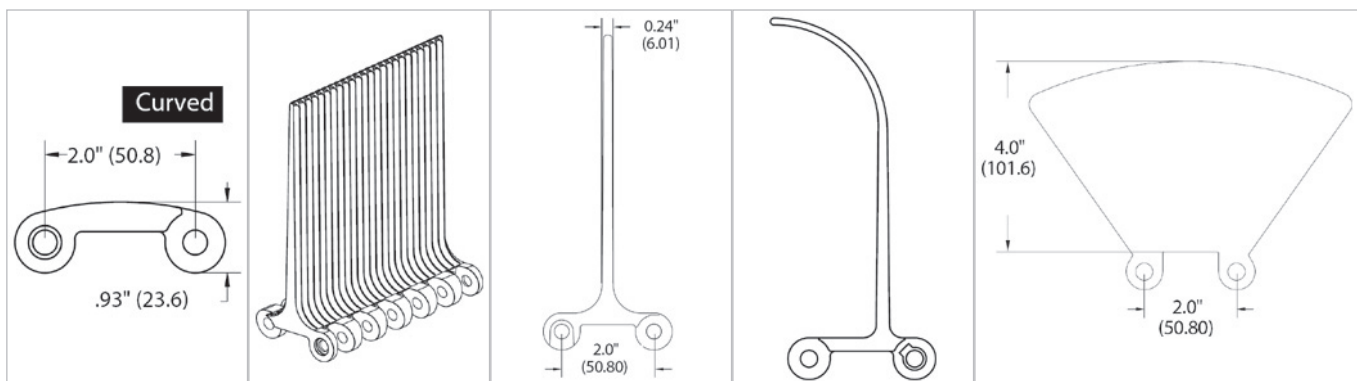


Belt data

Belt material		PP	PE	POM
Rod material		PP	PE	PE
Nominal tensile strength F'_N straight run	N/m lb/ft	26268 1800	20430 1400	30646 2100
Temperature range	°C °F	5 - 105 40 - 220	-70 - 65 -94 - 150	-40 - 65 -40 - 150
Belt weight m_B	kg/m ² lb/sqft	7.8 1.59	8.0 1.64	11.5 2.35
Standard belt color		white	white	white

Additional belt colors and materials available, abrasive resistant Nylon (Polyamide) rods available – contact your local partner.

Belt accessories



Inserts
Note: Inserts may affect belt pull — please contact your local partner.

Easy release flight
Note: Available in 6" height only — all other dimensions are the same as Rough duty flight.

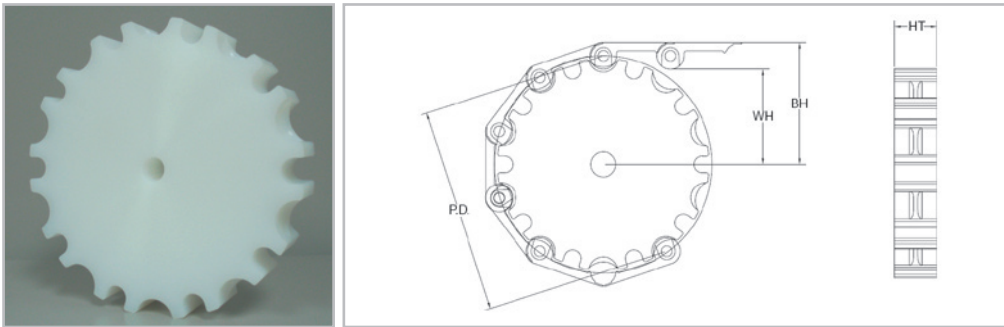
Rough duty flight
Rough duty flights available in standard 2", 4" & 6" heights.

Curved flight
Curved flights available in standard 4" & 6" heights.

Sideplate
Sideplates are available in standard 2", 3" & 4" heights. Please contact your local partner for indent specifications.

KVP® Sprockets – 2" Pitch Belting

HDU620 ST - VT - CT - EZR



Sprocket part number	Number of teeth	(PD) Nominal pitch diameter		(WH) Shaft center to top of wearstrip		HDU / HDUVT (BH) Shaft center to top of belt		HDUCT (BH) Shaft center to top of belt curve		HDUEZR (BH) Shaft center to top of belt nub		(HT) Hub thickness	
		inch	mm	inch	mm	inch	mm	inch	mm	inch	mm	inch	mm
HDU72006	6	4.00	102	1.60	41	2.40	61	2.53	64	2.50	64	1.25	32
HDU72008	8	5.23	133	2.21	56	3.01	76	3.14	80	3.11	79	1.25	32
HDU72010	10	6.47	164	2.84	72	3.64	92	3.77	96	3.74	95	1.25	32
HDU72012	12	7.72	196	3.46	88	4.26	108	4.39	112	4.36	111	1.25	32
HDU72014	14	8.99	228	4.09	104	4.89	124	5.02	128	4.99	127	1.25	32
HDU72016	16	10.25	260	4.73	120	5.53	140	5.56	144	5.63	143	1.25	32

M = molded sprocket, S = machined split sprocket

Split sprockets and other tooth sizes are available. Standard machined sprocket material is UHMW, Nylon and Urethane are available. Please contact your local partner.

Sprocket part number	Available bore size															
	25 mm	1"	1" sq.	30 mm	1-1/4"	1-7/16"	1-1/2"	1-1/2" sq.	40 mm	40 mm sq.	1-15/16"	50 mm	2" sq.	80 mm	80 mm sq.	2-1/2" sq.
HDU72006	✓	✓	✓	✓	✓	✓	✓	✓	✓	✓	✓	✓	✓	-	-	-
HDU72008	✓	✓	✓	✓	✓	✓	✓	✓	✓	✓	✓	✓	✓	✓	✓	-
HDU72010	✓	✓	✓	✓	✓	✓	✓	✓	✓	✓	✓	✓	✓	✓	✓	✓
HDU72012	✓	✓	✓	✓	✓	✓	✓	✓	✓	✓	✓	✓	✓	✓	✓	✓
HDU72014	✓	✓	✓	✓	✓	✓	✓	✓	✓	✓	✓	✓	✓	✓	✓	✓
HDU72016	✓	✓	✓	✓	✓	✓	✓	✓	✓	✓	✓	✓	✓	✓	✓	✓

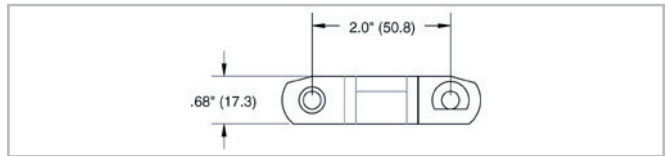
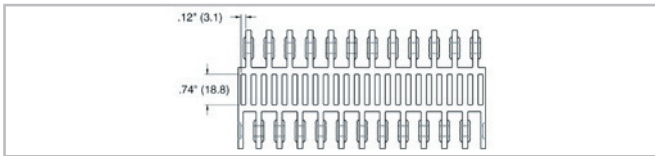
M = molded sprocket, S = machined split sprocket

All bore sizes are round bore unless designated square (sq.).

KVP® Straight 2" Pitch Belting FF620 (Fluid-Flo)

Description

- 2 inch pitch
- 35% open area
- Food approved materials
- Bi-directional
- Connecting rod diameter = 0.250 inch (6.4 mm)
- Standard belt width increments = 3 inch (76.2 mm) nominal, starting from 6 inches (152.4 mm)
- Non-standard widths available in 1/2 inch (12.7 mm) increments from 6 inches (152.4 mm) upon request
- Material selection may affect belt width — please contact your local partner for actual dimensions

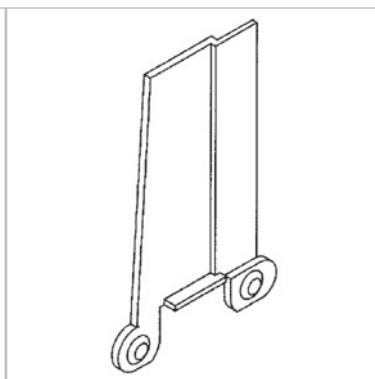
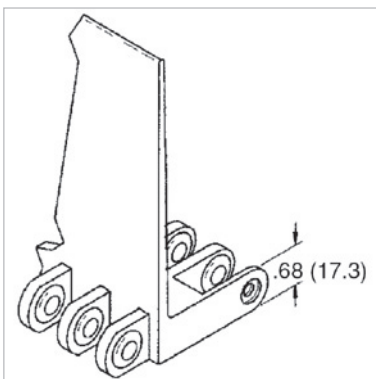


Belt data

Belt material		PP	PP +GR	PE
Rod material		PP		PE
Nominal tensile strength F'_N straight run	N/m	26268	21014	21014
	lb/ft	1800	1440	1440
Temperature range	°C	5 - 105	5 - 105	-70 - 65
	°F	40 - 220	40 - 220	-94 - 150
Belt weight m_B	kg/m ²	7.5	8.4	7.9
	lb/sqft	1.53	1.72	1.62
Standard belt color		gray/white	tan	white

Additional belt colors and materials available, abrasive resistant Nylon (Polyamide) and stainless steel rods available - contact your local partner.

Belt accessories



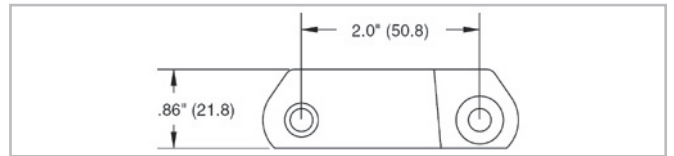
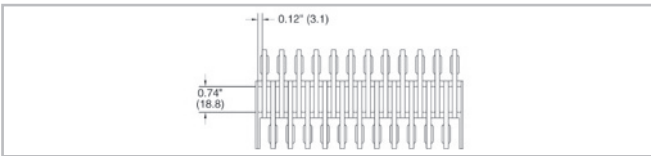
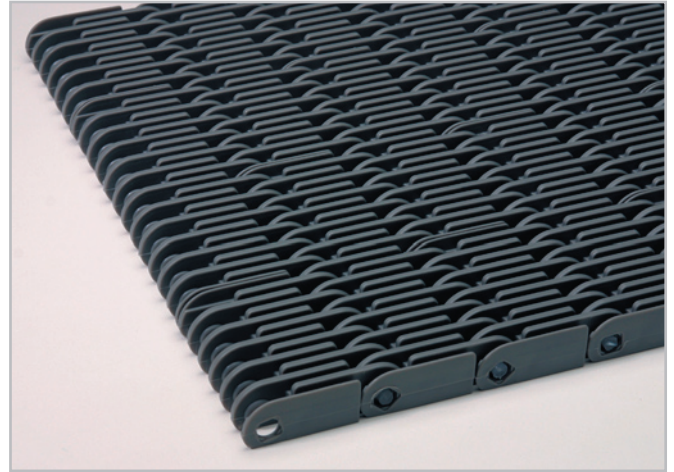
Flights
Standard flights available in 1", 2", 3" and 4" heights.

Sideplates
Sideplates available in standard 3" and 4" heights.
Note: Sideplates must be indented a minimum of 1/8" from outside edge of belt.

KVP® Straight 2" Pitch Belting FF620 WR (Fluid-Flo with Ribs)

Description

- 2 inch pitch
- 35% open area
- Food approved materials
- Bi-directional
- Connecting rod diameter = 0.250 inch (6.4 mm)
- Standard belt width increments = 3 inch (76.2 mm) nominal, starting from 6 inches (152.4 mm)
- Non-standard widths available in 1/2 inch (12.7 mm) increments from 6 inches (152.4 mm) upon request
- Material selection may affect belt width — please contact your local partner for actual dimensions

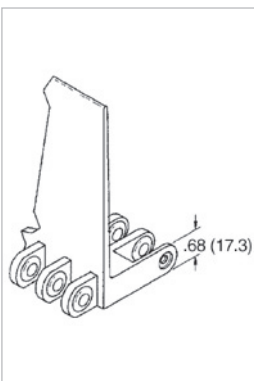


Belt data

Belt material		PP	PE
Rod material		PP	PE
Nominal tensile strength F_N^1 straight run	N/m	26268	21014
	lb/ft	1800	1440
Temperature range	°C	5 - 105	-70 - 65
	°F	40 - 220	-94 - 150
Belt weight m_B	kg/m ²	8.8	9.8
	lb/sqft	1.80	2.00
Standard belt color		gray	white

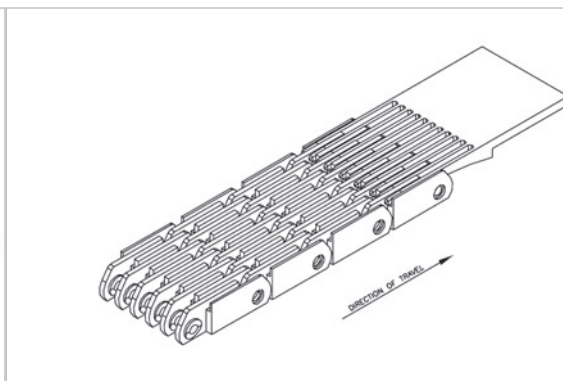
Additional belt colors and materials available, abrasive resistant Nylon (Polyamide) and stainless steel rods available - contact your local partner.

Belt accessories

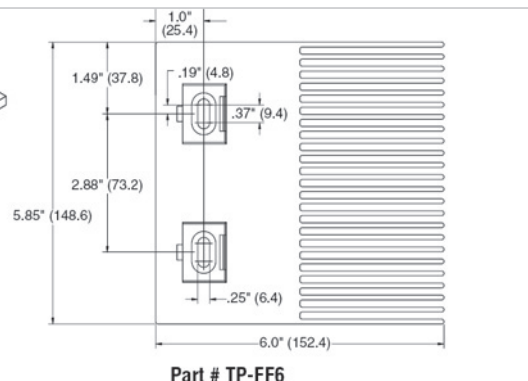


Flights

Standard flights available in 1", 2", 3" and 4" heights.



Fluid-Flo transfer plate

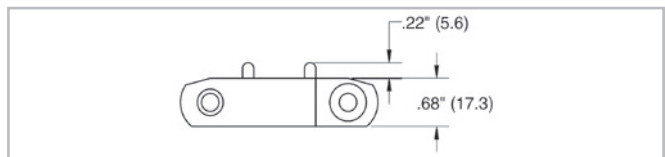
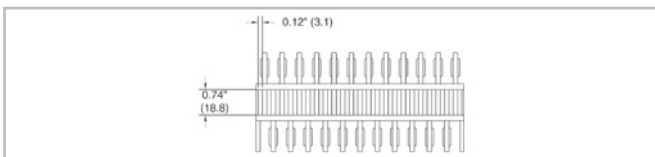
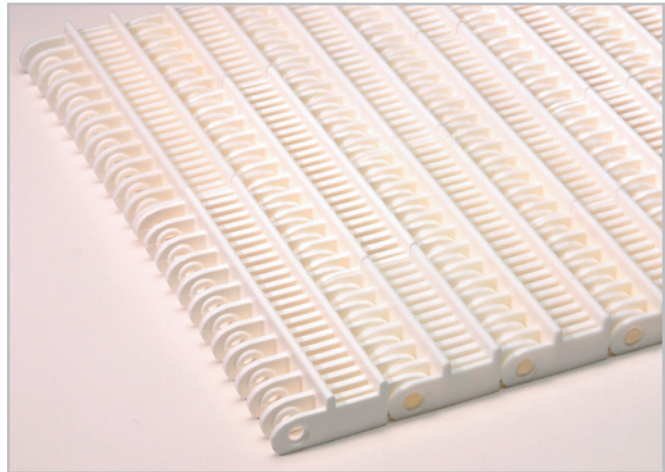


Part # TP-FF6

KVP® Straight 2" Pitch Belting FF620 MC (Fluid-Flo with Mini-Cleat)

Description

- 2 inch pitch
- 35% open area
- Food approved materials
- Bi-directional
- Connecting rod diameter = 0.250 inch (6.4 mm)
- Standard belt width increments = 3 inch (76.2 mm) nominal, starting from 6 inches (152.4 mm)
- Non-standard widths available in 1/2 inch (12.7 mm) increments from 6 inches (152.4 mm) upon request
- Material selection may affect belt width — please contact your local partner for actual dimensions

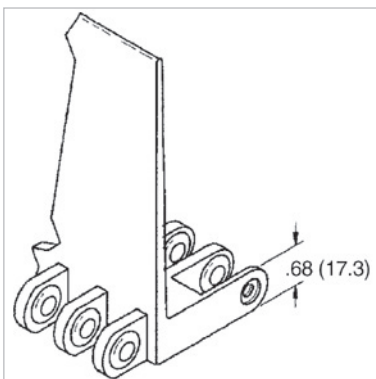


Belt data

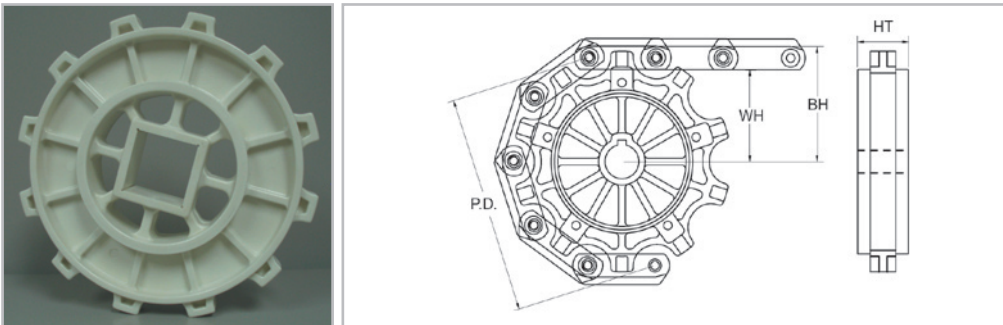
Belt material		PE
Rod material		PE
Nominal tensile strength F'_N straight run	N/m lb/ft	21014 1440
Temperature range	°C °F	-70 - 65 -94 - 150
Belt weight m_B	kg/m ² lb/sqft	8.3 1.70
Standard belt color		white

Additional belt colors and materials available, abrasive resistant Nylon (Polyamide) and stainless steel rods available - contact your local partner.

Belt accessories



Flights
Standard flights available in 1", 2", 3" and 4" heights.



Molded sprocket

Sprocket part number	Number of teeth	(PD) Nominal pitch diameter		(WH) Shaft center to top of wearstrip		Fluid Flo Flat (BH) Shaft center to top of belt		Fluid Flo with Ribs (BH) Shaft center to top of belt raised		Fluid-Flo Mini-Cleat (BH) Shaft center to top of belt cleat		(HT) Hub thickness	
		inch	mm	inch	mm	inch	mm	inch	mm	inch	mm	inch	mm
76206	6	4.00	102	1.46	37	2.14	54	2.36	60	2.36	60	1.5	38
76208M	8	5.23	133	2.08	53	2.76	70	2.98	76	2.98	76	1.5	38
76210M	10	6.47	164	2.70	68	3.38	86	3.6	91	3.6	91	1.5	38
76212M	12	7.73	196	3.33	84	4.01	102	4.23	107	4.23	107	1.5	38
76216	16	10.25	260	4.59	116	5.27	134	5.49	139	5.49	139	1.5	38

M = molded sprocket

Split sprockets and other tooth sizes are available. Standard machined sprocket material is UHMW, Nylon and Urethane are available. Please contact your local partner.

Sprocket part number	Available bore size														
	1"	1" sq.	30 mm	1-1/4"	1-7/16"	1-1/2"	1-1/2" sq.	40 mm	40 mm sq.	1-15/16"	50 mm	2"	60 mm	60 mm sq.	2-1/2" sq.
76206	✓	✓	✓	✓	✓	✓	✓	✓	✓	-	-	-	-	-	-
76208M	✓	-	✓	✓	✓	✓	✓	-	✓	-	-	-	-	-	-
76210M	✓	-	-	-	✓	✓	✓	-	✓	-	-	-	-	-	-
76212M	-	-	-	-	✓	✓	✓	-	✓	✓	-	✓	-	-	✓
76216	✓	✓	✓	✓	✓	✓	✓	✓	✓	✓	✓	✓	✓	✓	✓

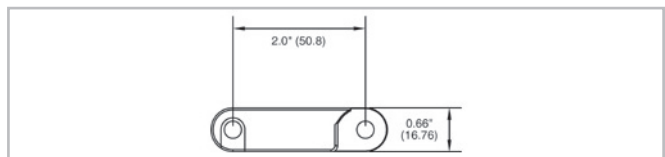
M = molded sprocket

All bore sizes are round bore unless designated square (sq.).

KVP® Straight 2" Pitch Belting MB620 ST (Monster Belt Solid Top)

Description

- 2 inch pitch
- Food approved materials
- Bi-directional
- Connecting rod diameter = 0.250 inch (6.4 mm)
- Solid top surface
- Standard belt width increments = 3 inch (76.2 mm) nominal, starting from 6 inches (152.4 mm)
- Material selection may affect belt width — please contact your local partner for actual dimensions

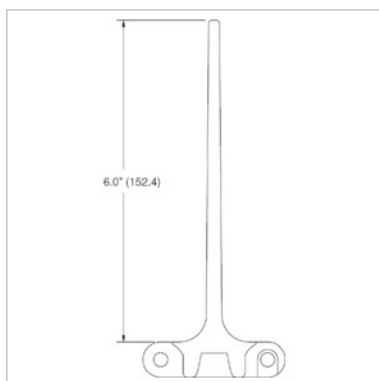


Belt data

Belt material		PP	POM
Rod material		PP	Nylon (PA)
Nominal tensile strength F'_N straight run	N/m lb/ft	58376 4000	102157 7000
Temperature range	°C °F	5 - 105 40 - 220	-40 - 93 -40 - 200
Belt weight m_B	kg/m ² lb/sqft	10.5 2.14	15.5 3.18
Standard belt color		gray	blue

Additional belt colors and materials available, abrasive resistant Nylon (Polyamide) and stainless steel rods available - contact your local partner.

Belt accessories

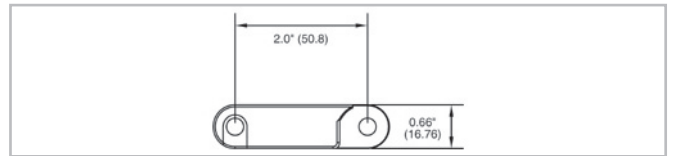
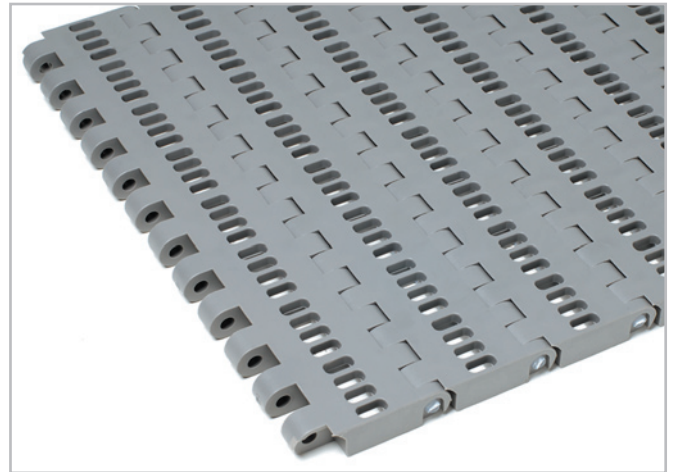


Flight
Standard flights available in 6" height.

KVP® Straight 2" Pitch Belting MB620 VT (Monster Belt Vented Top)

Description

- 2 inch pitch
- Food approved materials
- Bi-directional
- Connecting rod diameter = 0.250 inch (6.4 mm)
- Vent top surface – 26% open
- Standard belt width increments = 3 inch (76.2 mm) nominal starting from 6 inches (152.4 mm)
- Material selection may affect belt width — please contact your local partner for actual dimensions

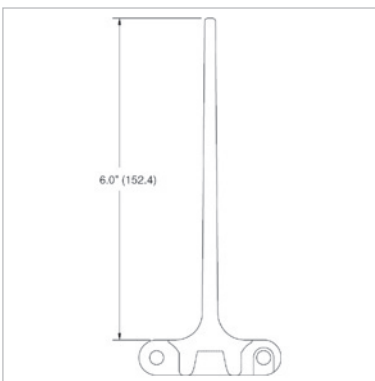


Belt data

Belt material		PP
Rod material		PP
Nominal tensile strength F'_N straight run	N/m lb/ft	44657 3060
Temperature range	°C °F	5 - 105 40 - 220
Belt weight m_B	kg/m ² lb/sqft	10.5 2.14
Standard belt color		gray

Additional belt colors and materials available, abrasive resistant Nylon (Polyamide) and stainless steel rods available - contact your local partner.

Belt accessories

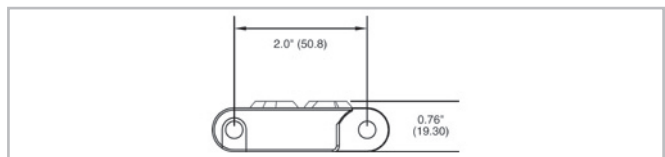
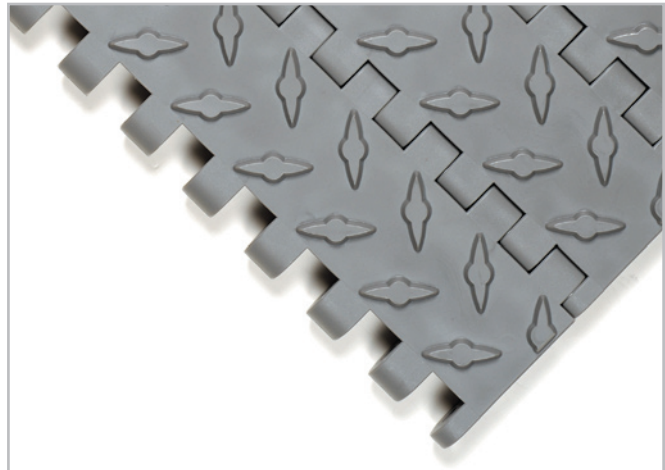


Mitnehmer
Standard Mitnehmer erhältlich in 6" Höhe.

KVP® Straight 2" Pitch Belting MB620 TT (Monster Belt Tread Top)

Description

- 2 inch pitch
- Food approved materials
- Bi-directional
- Connecting rod diameter = 0.250 inch (6.4 mm)
- Tread top surface
- Standard belt width increments = 3 inch (76.2 mm) nominal, starting from 6 inches (152.4 mm)
- Material selection may affect belt width — please contact your local partner for actual dimensions

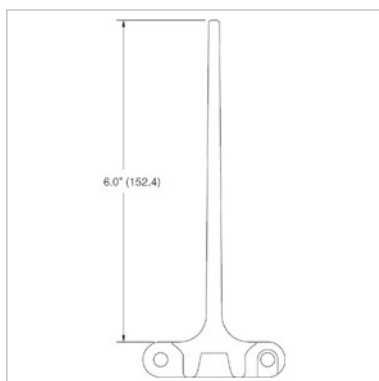


Belt data

Belt material		PP
Rod material		PP
Nominal tensile strength F'_N straight run	N/m lb/ft	49619 3400
Temperature range	°C °F	5 - 105 40 - 220
Belt weight m_B	kg/m ² lb/sqft	10.5 2.14
Standard belt color		gray

Additional belt colors and materials available, abrasive resistant Nylon (Polyamide) and stainless steel rods available - contact your local partner.

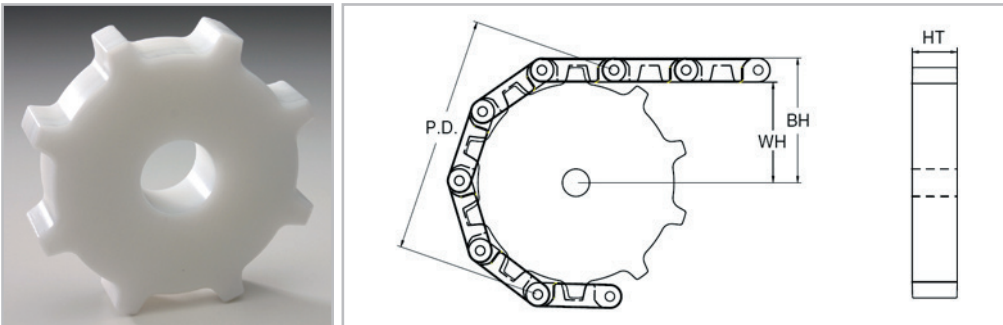
Belt accessories



Flight
Standard flights available in 6" height.

KVP® Sprockets – 2" Pitch Belting

MB620 ST, MB620 VT, MB620 TT



Machined sprocket

Sprocket part number	Number of teeth	(PD) Nominal pitch diameter		(WH) Shaft center to top of wearstrip		(BH) Shaft center to top of belt		(HT) Hub thickness	
		inch	mm	inch	mm	inch	mm	inch	mm
MB72008	8	5.23	133	2.01	51	2.81	71	1.25	32
MB72010	10	6.47	164	2.63	67	3.43	87	1.25	32
MB72012	12	7.73	196	3.26	83	4.06	103	1.25	32
MB72015	15	9.62	244	4.39	111	5.04	128	1.25	32
MB72016	16	10.25	260	4.70	119	5.36	136	1.25	32

Split sprockets and other tooth sizes are available. Standard machined sprocket material is UHMW, Nylon and Urethane are available. Please contact your local partner.

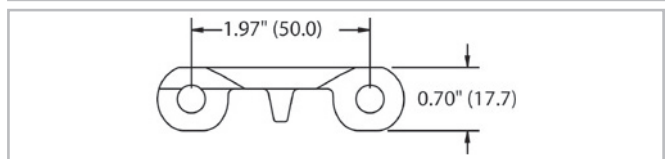
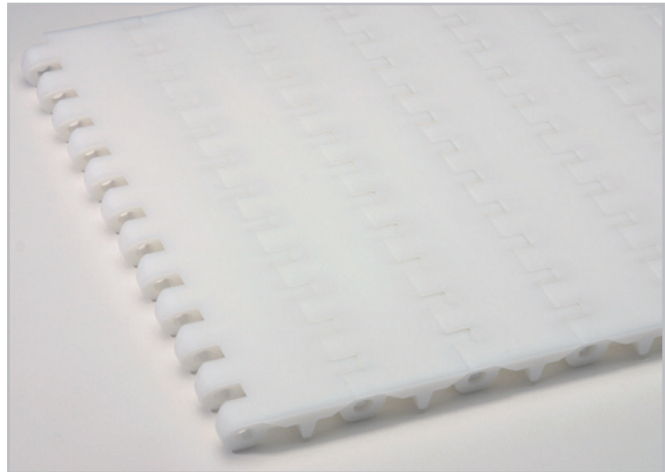
Sprocket part number	Available bore size															
	25 mm	1"	1" sq.	30 mm	1-1/4"	1-7/16"	1-1/2"	1-1/2" sq.	40 mm	40 mm sq.	1-15/16"	50 mm	50 mm sq.	2"	2-1/2" sq.	3-1/2" sq.
MB72008	✓	✓	✓	✓	✓	✓	✓	✓	✓	✓	✓	✓	✓	✓	-	-
MB72010	✓	✓	✓	✓	✓	✓	✓	✓	✓	✓	✓	✓	✓	✓	✓	-
MB72012	✓	✓	✓	✓	✓	✓	✓	✓	✓	✓	✓	✓	✓	✓	✓	✓
MB72015	✓	✓	✓	✓	✓	✓	✓	✓	✓	✓	✓	✓	✓	✓	✓	✓
MB72016	✓	✓	✓	✓	✓	✓	✓	✓	✓	✓	✓	✓	✓	✓	✓	✓

All bore sizes are round bore unless designated square (sq.).

KVP® Straight 2" Pitch Belting 416 CLIB (416 Closed Impact Bar)

Description

- 2 inch pitch
- Solid top surface
- Food approved materials
- Bi-directional
- Connecting rod diameter = 0.312 inch (7.9 mm)
- Standard belt width increments = 1 inch (25.4 mm) nominal, starting from 6 inches (152.4 mm)
- Material selection may affect belt width — please contact your local partner for actual dimensions

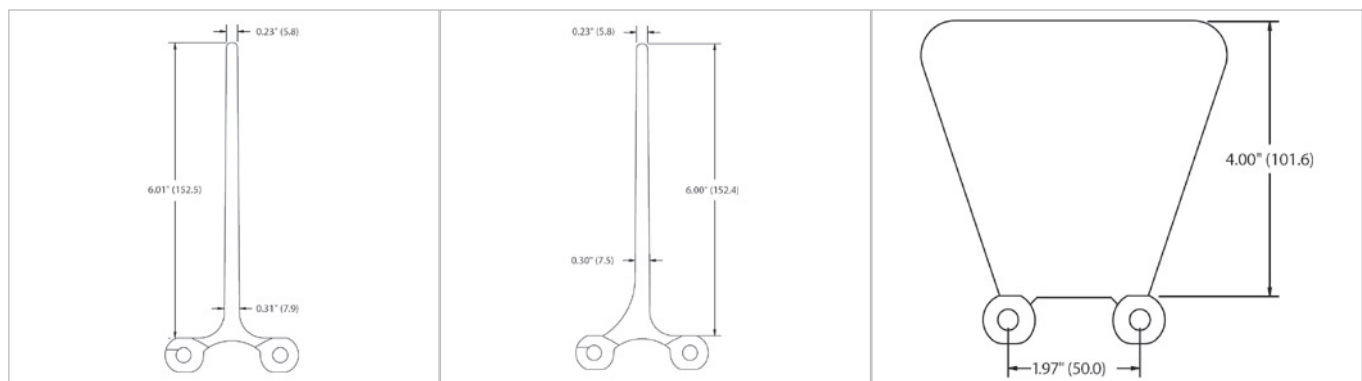


Belt data

Belt material		PP	PE	POM
Rod material		PP	PE	PP
Nominal tensile strength F'_N straight run	N/m lb/ft	14886 1020	13100 900	21900 1500
Temperature range	°C °F	5 - 105 40 - 220	-70 - 65 -94 - 150	5 - 93 40 - 200
Belt weight m_B	kg/m ² lb/sqft	7.5 1.54	7.5 1.54	11.1 2.28
Standard belt color		white	white	white

Additional belt colors and materials available, abrasive resistant Nylon (Polyamide) rods available – contact your local partner.

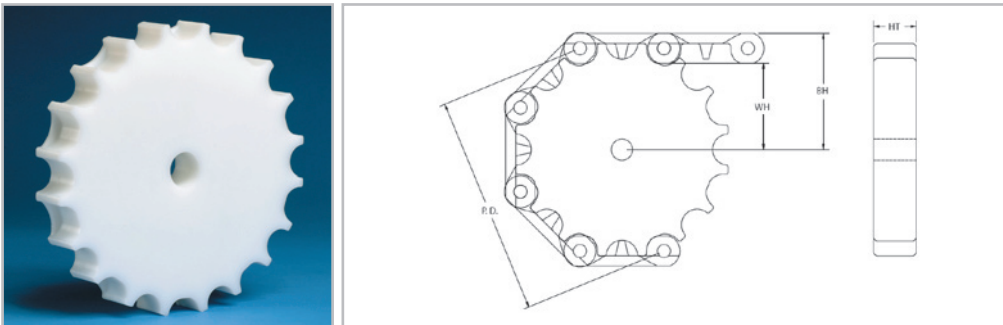
Belt accessories



Standard flight
Standard flights available in 6" heights.

Rough duty flight
Rough duty flights available in 6" heights.

Sideplate
Sideplates available in standard 2" & 4" heights. Do not use with 8 & 10 tooth sprockets. Sprockets must be big enough to keep plates from hitting each other. Note: Sideplates must be indented a minimum of 1-1/4" fr



Machined sprocket

Sprocket part number	Number of teeth	(PD) Nominal pitch diameter		(WH) Shaft center to top of wearstrip		HDS / HDSVT (BH) Shaft center to top of belt		(HT) Hub thickness	
		inch	mm	inch	mm	inch	mm	inch	mm
41672006	6	3.44	87	1.62	41	2.32	59	1.00	25.4
41672008	8	5.15	131	2.23	57	2.93	74	1.00	25.4
41672010	10	6.38	162	2.84	72	3.54	90	1.00	25.4
41672012	12	7.61	193	3.46	88	4.16	106	1.00	25.4
41672016	16	10.10	257	4.70	119	5.40	137	1.00	25.4

Do not use sprockets smaller than 12 tooth, 7.73" (196 mm), with belts using sideplates.

Split sprockets and other tooth sizes are available. Standard machined sprocket material is UHMW, Nylon and Urethane are available. Please contact your local partner.

Sprocket part number	Available bore size														
	25 mm	1"	1" sq.	30 mm	1-1/4"	1-7/16"	1-1/2"	1-1/2" sq.	40 mm	40 mm sq.	1-15/16"	50 mm	50 mm sq.	2"	2-1/2" sq.
41672006	✓	✓	✓	✓	✓	✓	✓	✓	✓	✓	✓	-	-	-	-
41672008	✓	✓	✓	✓	✓	✓	✓	✓	✓	✓	✓	✓	-	✓	-
41672010	✓	✓	✓	✓	✓	✓	✓	✓	✓	✓	✓	✓	✓	✓	✓
41672012	✓	✓	✓	✓	✓	✓	✓	✓	✓	✓	✓	✓	✓	✓	✓
41672016	✓	✓	✓	✓	✓	✓	✓	✓	✓	✓	✓	✓	✓	✓	✓

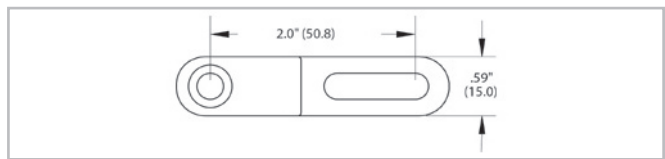
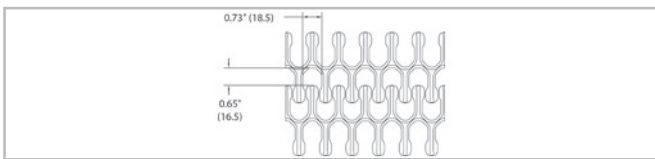
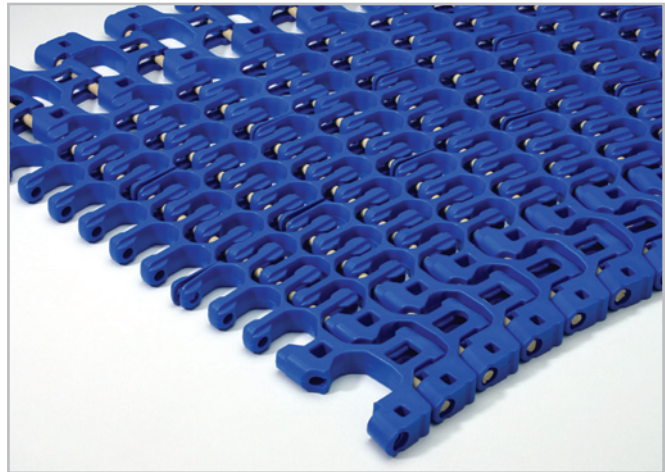
M = molded sprocket

All bore sizes are round bore unless designated square (sq.).

KVP® Radius 2" Pitch Belting PR620 (Spiral Pro)

Description

- 2 inch pitch
- Belt turning radius equals 1.6 times the nominal belt width
- 65% open area
- Food approved materials
- Connecting rod diameter = 0.250 inch (6.4 mm)
- Standard belt width increments = 1 inch (25.4 mm) nominal, starting from 12 inches (304.8 mm)
- Adjustable radius plugs available: sizes 1.8, 2.0, 2.2, 2.5, and 3.0 turning radius
- Material selection may affect belt width — please contact your local partner for actual dimensions

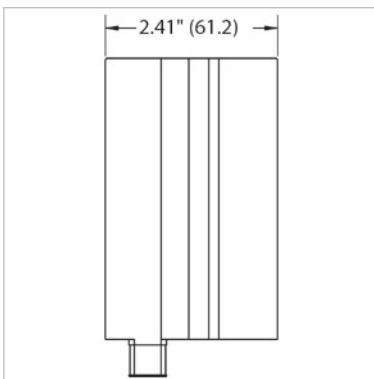


Belt data

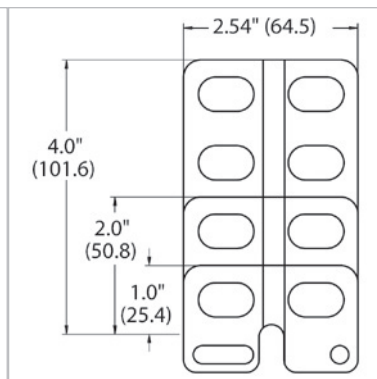
Belt material		PP	POM
Rod material		Nylon (PA)	
Nominal tensile strength F_N in curve ⁽¹⁾	N lbf	1779 400	2669 600
Temperature range	°C °F	5 - 105 40 - 220	-40 - 93 -40 - 200
Belt weight m_B	kg/m ² lb/sqft	4.9 1.00	7.4 1.51
Standard belt color		blue	blue

Additional belt colors and materials available, stainless steel rods available - contact your local partner.

Belt accessories



Sideplates
Available in 1/2", 1", 2" and 4" heights.



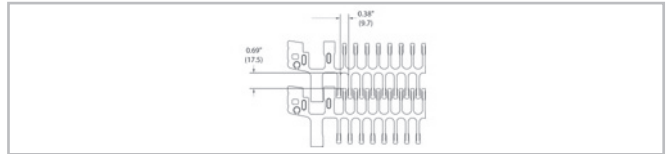
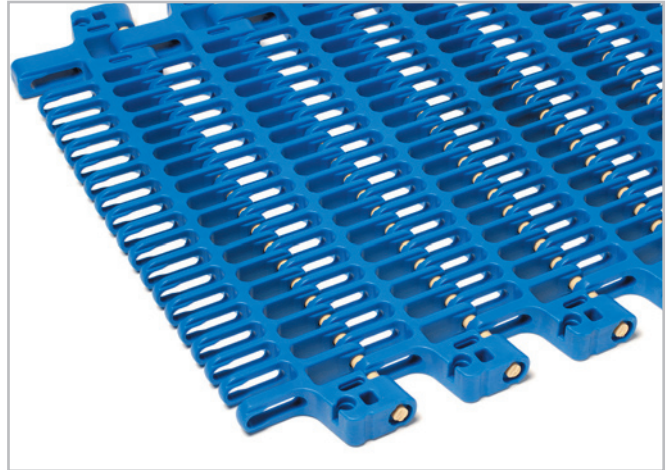
Lane Divider
Available in 1/2", 1", 2" and 4" heights.

KVP® Radius 2" Pitch Belting

PR620 SPS (Spiral Pro - Small Product Surface)

Description

- 2 inch pitch
- Belt turning radius equals 1.6 times the nominal belt width
- 57% open area
- Food approved materials
- Connecting rod diameter = 0.250 inch (6.4 mm)
- Standard belt width increments = 1 inch (25.4 mm) nominal, starting from 12 inches (304.8 mm)
- Adjustable radius plugs available: sizes 1.8, 2.0, 2.2, 2.5, and 3.0 turning radius
- Material selection may affect belt width — please contact your local partner for actual dimensions

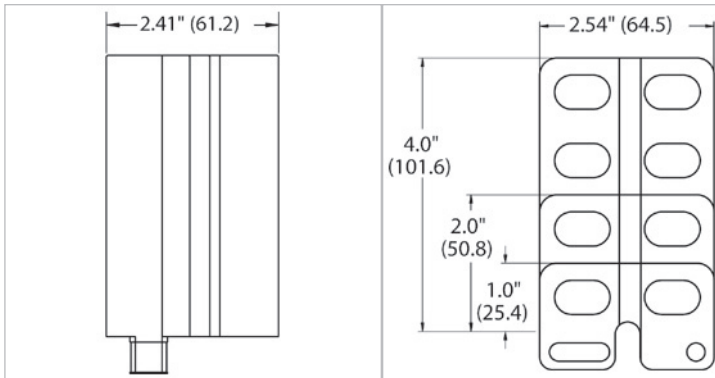


Belt data

Belt material		PP	POM
Rod material		Nylon (PA)	
Nominal tensile strength F_N in curve ⁽¹⁾	N <i>lbf</i>	1779 400	2669 600
Temperature range	°C °F	5 - 105 40 - 220	-40 - 93 -40 - 200
Belt weight m_B	kg/m ² <i>lb/sqft</i>	4.9 1.00	7.4 1.51
Standard belt color		blue	blue

Additional belt colors and materials available, stainless steel rods available - contact your local partner.

Belt accessories



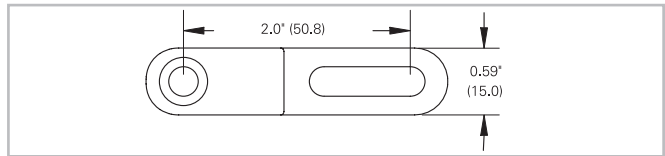
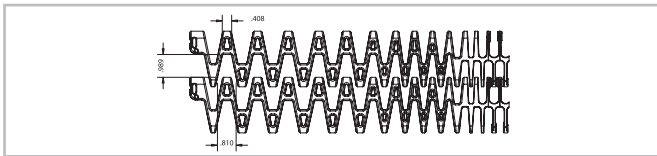
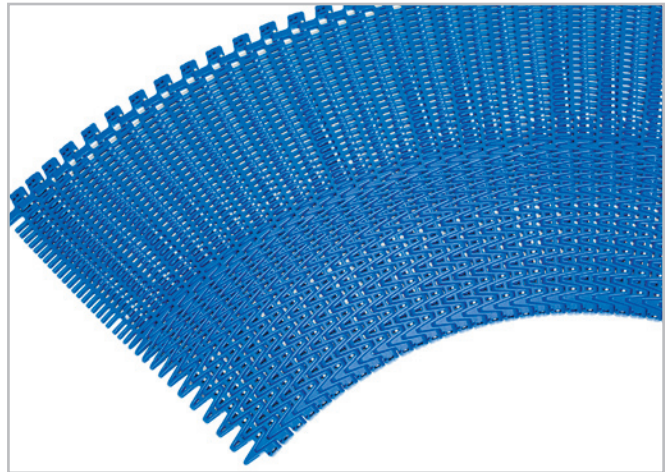
Sideplates
Available in 1/2", 1", 2" and 4" heights.

Lane Divider
Available in 1/2", 1", 2" and 4" heights.

KVP® Radius 2" Pitch Belting PR620 TTR (Spiral Pro - Tight Turn Radius)

Description

- 2 inch pitch
- Belt turning radius 1.0 times nominal belt width up to 44" wide.
- Belt turning radius 1.1 times nominal belt width greater than 44" wide.
- 56% open area
- Food approved materials
- Connecting rod diameter = 0.250 inch (6.4 mm)
- Standard belt width increments = 1 inch (25.4 mm) nominal, starting from 20 inches
- Material selection may affect belt width - please contact your local partner for actual dimensions

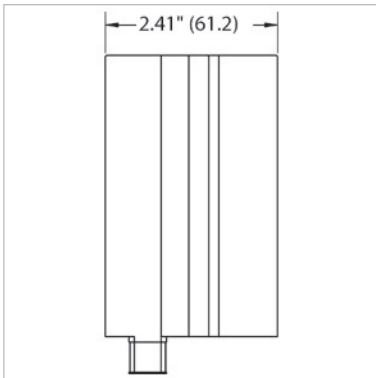


Belt data

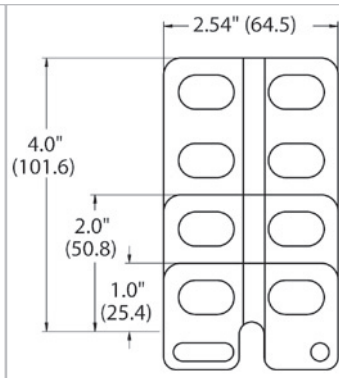
Belt material		POM
Rod material		POM
Nominal tensile strength F_N in curve ⁽¹⁾	N lbf	2535 570
Temperature range	°C °F	-40 - 93 -40 - 200
Belt weight m_B	kg/m ² lb/sqft	7.3 1.50
Standard belt color		blue

Additional belt colors and materials available, stainless steel rods available - contact your local partner.

Belt accessories



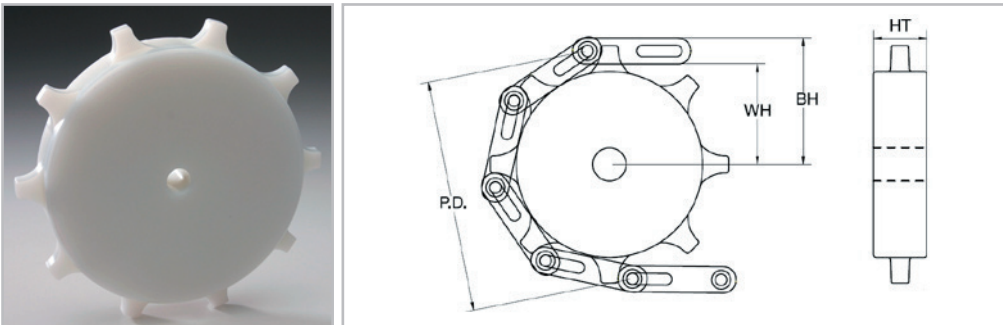
Sideplates
Available in 1/2", 1", 2" and 4" heights.



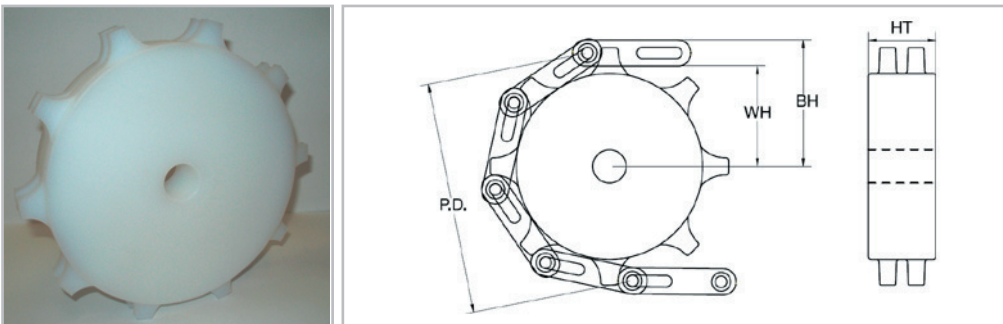
Lane Divider
Available in 1/2", 1", 2" and 4" heights.

KVP® Sprockets – 2" Pitch Belting

PR620, PR620 SPS, PR620 TTR



Machined sprocket – PR620



Machined sprocket – PR620 SPS

Sprocket part number	Number of teeth	(PD) Nominal pitch diameter		(WH) Shaft center to top of wearstrip		(BH) Shaft center to top of belt		(HT) Hub thickness	
		inch	mm	inch	mm	inch	mm	inch	mm
PR72010	10	6.5	165	2.9	74	3.5	89	1.25	32
PR72010 SPS	10	6.5	165	2.9	74	3.5	89	1.25	32

Split sprockets and other tooth sizes are available. Standard machined sprocket material is UHMW. Nylon and Urethane are available. PR620 TTR belts use a combination of PR620 and PR620 SPS sprockets. Please consult your local partner for proper combination.

Sprocket part number	Available bore size															
	25 mm	1"	1" sq.	30 mm	1-1/4"	1-7/16"	1-1/2"	1-1/2" sq.	40 mm	40 mm sq.	1-15/16"	50 mm	2" sq.	60 mm	60 mm sq.	2-1/2" sq.
PR72010	✓	✓	✓	✓	✓	✓	✓	✓	✓	✓	✓	✓	✓	✓	–	–
PR72010 SPS	✓	✓	✓	✓	✓	✓	✓	✓	✓	✓	✓	✓	✓	✓	–	–

All bore sizes are round bore unless designated square (sq.).

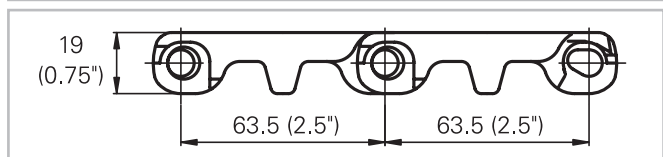
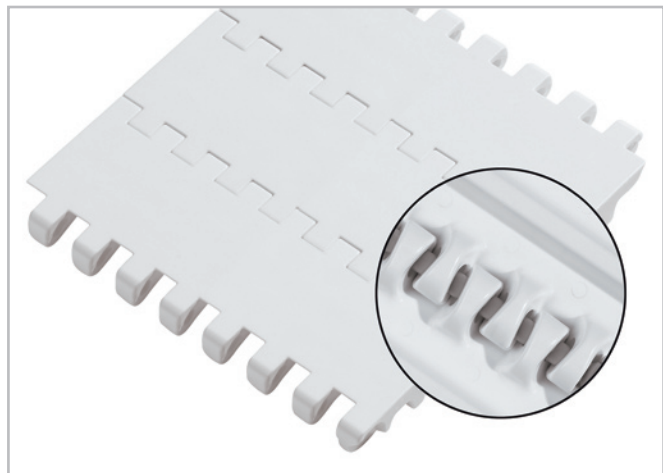
HabasitLINK® Straight 2-1/2" Pitch Belting M6360 Flat Top 2.5"

Description

- 0% open area
- Solid plate
- Imperial belt width
- Dynamic open hinge, easy to clean
- Strong link design (1" link-pitch)
- Rod diameter 8 mm (0.32")
- Smart Fit rod retention
- Food approved materials

Available accessories

- Flights



Belt data

Belt material		PP	PE	POM	POM +IM
Rod material		PP	PE		
Nominal tensile strength F'_N straight run	N/m	24000	14000	19000	19000
	lb/ft	1644	959	1301	1301
Temperature range	°C	5 - 105	-70 - 65	-40 - 65	-40 - 65
	°F	40 - 220	-94 - 150	-40 - 150	-40 - 150
Belt weight m_B	kg/m ²	10.7	11.4	16.5	16.5
	lb/sqft	2.19	2.34	3.38	3.38

Diameter of idling rollers (minimum)		Diameter of support rollers (minimum)		Diameter for gravity take-up and center drive rollers (minimum)		Backbending radius for elevators without sideguards or hold down devices (minimum)	
mm	inch	mm	inch	mm	inch	mm	inch
100	4	100	4	150	6	150	6

Standard range of belt widths b_0

mm (nom.)	101	203	304	406	508	609	711	813	914	1016	1117	1219	1321	etc.
inch (nom.)	4.0	8.0	12.0	16.0	20.0	24.0	28.0	32.0	36.0	40.0	44.0	48.0	52.0	etc.

Real belt widths are in most cases 0.1% to 0.3% smaller.

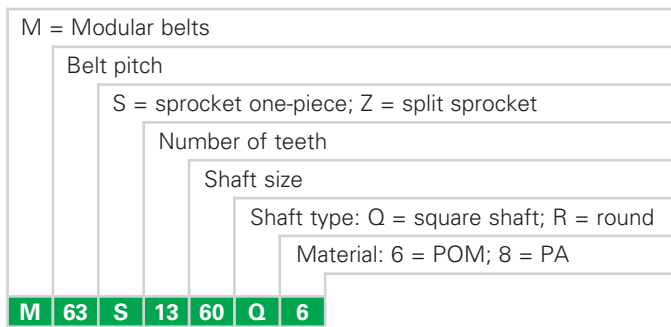
Standard belt widths in increments 4.0" (101 mm). Non-standard widths are offered in increments of 1.0" (25.4 mm) Smallest possible width 4.0" (101 mm).

For detailed material properties refer to pages 276 - 281 or contact your Habasit representative.

The nominal tensile strength is valid for 23 °C (73 °F). The admissible tensile force depends on the operating temperature near the drive sprockets. Within the temperature range allowed, the admissible tensile force may vary from 100% to 20% of the nominal tensile strength. For detailed information and correct calculation of effective tensile force refer to the Calculation Guide in the HabasitLINK® Engineering Guidelines.

HabasitLINK® Sprockets - 2-1/2" Pitch Belting

Sprocket Series M6300



Sprocket availability

Type	Number of teeth	Diam. of pitch $\varnothing d_p$		A_1		Hub width B_L		Square bore Q		Standard material
		mm	inch	mm	inch	mm	inch	mm	inch	
S	6	127.0	5.0	54.0	2.13	40	1.57	40	1.5	POM
S	8	165.9	6.5	73.5	2.90	40	1.57	40 / 60	1.5 / 2.5	POM
S	10	205.5	8.1	93.5	3.67	40	1.57	40 / 60	1.5 / 2.5	POM
S	13	265.3	10.5	123.5	4.85	40	1.57	60	2.5	POM

S: molded sprockets. Other sprocket and hub sizes on request.

Key ways for round bore shape follow European standards for metric sizes and US standards for imperial sizes. For detailed dimensions see table in the Design Guide.

Other materials available on request.

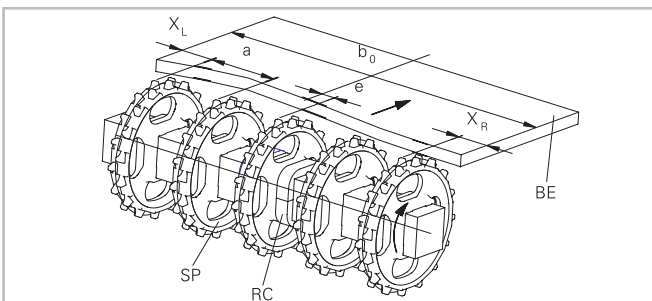


Sprocket one-piece ("open window")

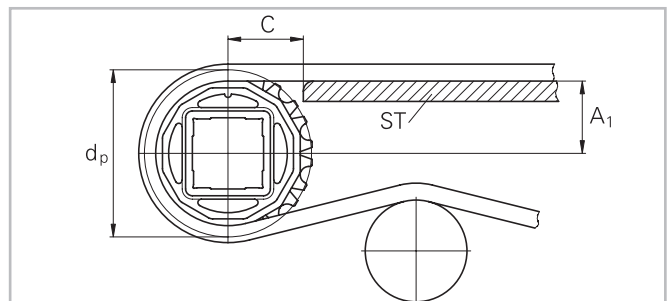


Sprocket one-piece (solid)

Sprocket arrangement



- BE** Belt
- RC** Retainer
- SP** Sprocket
- b₀** belt width



The distance **C** between the sprocket axis and the slider support **ST** is minimal 66 mm (2.6").

HabasitLINK® Sprockets - 2-1/2" Pitch Belting

Sprocket Series M6300

Wearstrips

Between driving shaft and idling sprockets or rollers the belt is carried by a slider support furnished with longitudinal wear strips from UHMW Polyethylene or other suitable material.

Sprocket positioning

For correct positioning of the center sprocket divide the belt width by the link increment. The rounded result will be an even or an odd number. These numbers are the criteria for offset or no offset, see table.

Belt type	Sprocket spacing a		Sprocket edge distance (minimal)		Criteria for center sprocket position	Result of formula (rounded)	Offset e	Remarks
	minimal	maximal	X_L	X_R				
	mm inch	mm inch	mm inch	mm inch				
M6360	50.8 2	152.4 6	38 1.5	38 1.5	$b_0 / 25.4$ $b_0 / 1$	even number (2, 4, 6 ...)	12.7 0.5	right or left side
						odd number (3, 5, 7 ...)	0 0	no offset

Numbers of sprockets and wearstrips

Standard belt width (nominal)		Number of sprockets per shaft		Number of wearstrips	
mm	inch	min. number	Carryway (top)	Returnway (bottom)	
102	4	1	2	2	
203	8	2	2	2	
305	12	2	3	2	
406	16	3	3	3	
508	20	3	3	3	
610	24	3	4	3	
711	28	5	4	3	
813	32	5	5	3	
914	36	5	5	4	
1'016	40	7	6	4	
1'118	44	7	6	4	
1'219	48	7	7	5	
1'321	52	9	7	5	
1'422	56	9	7	5	
1'524	60	9	8	5	
1'626	64	11	8	6	
1'727	68	11	8	6	
1'829	72	11	9	6	
1'930	76	13	9	6	
2'032	80	13	9	7	
2'134	84	13	10	7	
2'235	88	15	10	7	
2'337	92	15	10	7	
2'438	96	15	11	8	
2'540	100	17	11	8	

The number of sprockets depends on the belt load and may be different for driving and idling shafts. For calculation of correct sprocket number please use LINK-SeleCalc.

HabasitLINK® Accessories – 2-1/2" Pitch Belting Flights M6300

HabasitLINK® Modular belts are available with flights to convey products on inclined planes. The flight modules are injection molded one-piece designs that when installed, become an integral part of the belt. Flight modules for this belt series are available with flat surface only (smooth on both sides)

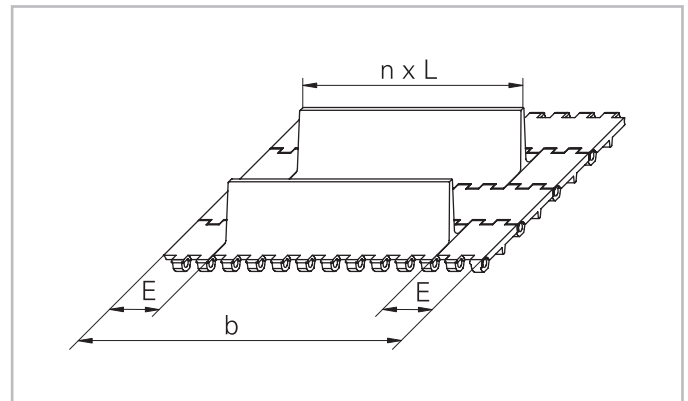
Code: xx = height of flight:

50 mm = 05

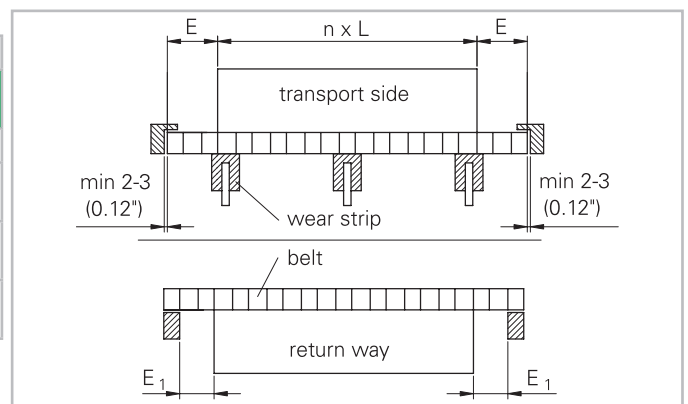
100 mm = 10

150 mm = 15

Note: All flights have open hinge design (USDA).



		Flights straight	
Code flight sideguard		M6360Fxx (xx= height)	
		height H	length L
mm		50.8	152
inch		2	6
mm		101	101
inch		4	4
mm		152	152
inch		6	6

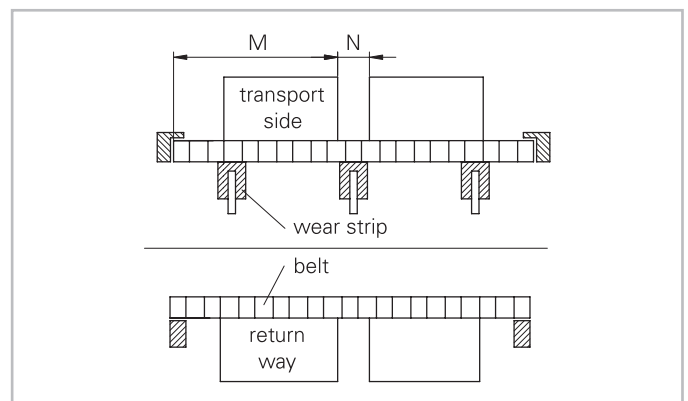


All flights can be cut to lower height (min. 25mm) for high impact applications

Indents (E)

The flight indent E is the distance between the edge of the belt and the edge of flight. It is required for adequate support of the belt on its return way and hold down during back-bending applications (elevators). On short conveyors or with special support structure, the flights may also be applied over the full belt width (E = 0).

Indents are possible in widths as multiples of 1" (25.4mm), min 2" (50.8mm)



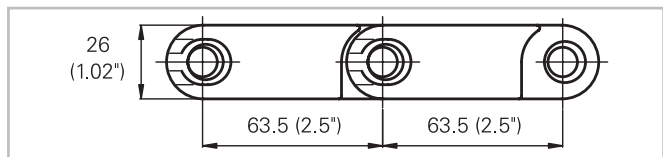
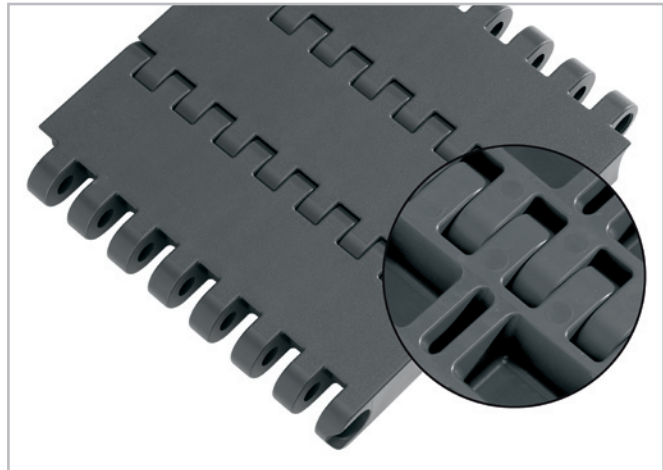
Notch (N)

The notch N is a gap in each row of flights, longitudinally aligned to allow the support of belts wider 600 mm (24") on its return way or in back-bending applications. The notch width (N) and the distance (M) from belt edge is a multiple of the link increment 25.4 mm (1"). For M6300 series the minimum notch width is 50.8 mm (2").

HabasitLINK® Straight 2-1/2" Pitch Belting M6420 Flat Top Heavy Duty 2.5"

Description

- Heavy duty belt
- 26 mm (1") thick
- Extremely strong and stiff
- 0% open area
- Closed hinge
- Rod diameter 10 mm (0.39")
- Smart Fit rod retention
- Rough surface
- Antistatic materials available
- Lug teeth solid sprockets



Belt data

Belt material		POM		POM +AS	
Rod material		PA	Stainless Steel	PA	Stainless Steel
Nominal tensile strength F'_N straight run	N/m lb/ft	100000 6854	100000 6854	100000 6854	100000 6854
Temperature range	°C °F	-40 - 93 -40 - 200	-40 - 93 -40 - 200	-40 - 93 -40 - 200	-40 - 93 -40 - 200
Belt weight m_B	kg/m ² lb/sqft	26.8 5.49	34.8 7.14	26.8 5.49	34.8 7.14

Belt material		PP		PP +AS	
Rod material		POM	PA	POM	PA
Nominal tensile strength F'_N straight run	N/m lb/ft	60000 4110	60000 4110	60000 4110	60000 4110
Temperature range	°C °F	5 - 93 40 - 200	5 - 105 40 - 220	5 - 93 40 - 200	5 - 105 40 - 220
Belt weight m_B	kg/m ² lb/sqft	17.9 3.68	17.9 3.68	17.9 3.68	17.9 3.68

Diameter of idling rollers (minimum)		Diameter of support rollers (minimum)		Diameter for gravity take-up and center drive rollers (minimum)		Backbending radius for elevators without sideguards or hold down devices (minimum)	
mm	inch	mm	inch	mm	inch	mm	inch
100	4	100	4	200	8	200	8

Standard range of belt widths b_0

mm (nom.)	100	200	300	400	500	600	700	800	900	1000	1100	1200	1300	etc.
inch (nom.)	3.9	7.9	11.8	15.7	19.7	23.6	27.6	31.5	35.4	39.4	43.3	47.2	51.2	etc.

Real belt widths are in most cases 0.1% to 0.3% smaller.

HabasitLINK® Straight 2-1/2" Pitch Belting M6420 Flat Top Heavy Duty 2.5"

Standard belt widths in increments of 100 mm (3.9"). Non-standard widths are offered in increments of 50 mm (2"). Non-bricklaid belts 100 mm (3.9") and 200 mm (7.9").

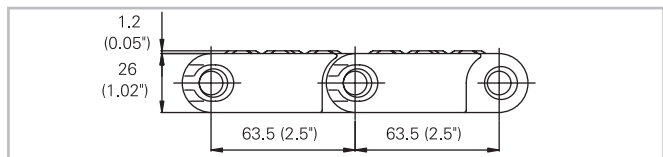
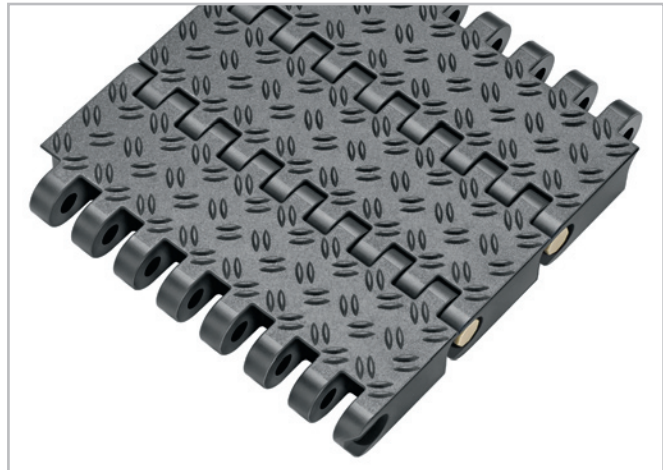
For detailed material properties refer to pages 276 - 281 or contact your Habasit representative.

The nominal tensile strength is valid for 23 °C (73 °F). The admissible tensile force depends on the operating temperature near the drive sprockets. Within the temperature range allowed, the admissible tensile force may vary from 100% to 20% of the nominal tensile strength. For detailed information and correct calculation of effective tensile force refer to the Calculation Guide in the HabasitLINK® Engineering Guidelines.

HabasitLINK® Straight 2-1/2" Pitch Belting M6423 Non Slip 2.5"

Description

- Heavy duty belt extremely strong and stiff
- 0% open area
- Closed hinge
- Rod diameter 10 mm (0.39")
- Smart Fit rod retention
- Non Slip profile for people mover applications
- Antistatic materials available
- Steel rods available
- Lug teeth solid sprockets



Belt data

Belt material		POM		POM +AS	
Rod material		PA	Stainless Steel	PA	Stainless Steel
Nominal tensile strength F_N straight run	N	100000	100000	100000	100000
	lbf	6854	6854	6854	6854
Temperature range	°C	-40 - 93	-40 - 93	-40 - 93	-40 - 93
	°F	-40 - 200	-40 - 200	-40 - 200	-40 - 200
Belt weight m_B	kg/m ²	27.6	35.6	27.6	35.6
	lb/sqft	5.66	7.30	5.66	7.30

Diameter of idling rollers (minimum)		Diameter of support rollers (minimum)		Diameter for gravity take-up and center drive rollers (minimum)		Backbending radius for elevators without sideguards or hold down devices (minimum)	
mm	inch	mm	inch	mm	inch	mm	inch
100	4	100	4	200	8	200	8

Standard range of belt widths b_0

mm (nom.)	100	200	300	400	500	600	700	800	900	1000	1100	1200	1300	etc.
inch (nom.)	3.9	7.9	11.8	15.7	19.7	23.6	27.6	31.5	35.4	39.4	43.3	47.2	51.2	etc.

Real belt widths are in most cases 0.1% to 0.3% smaller.

Standard belt widths in increments of 100 mm (3.9"). Non-standard widths are offered in increments of 50 mm (2"). Non-bricklaid belts 100 mm (3.9") and 200 mm (7.9").

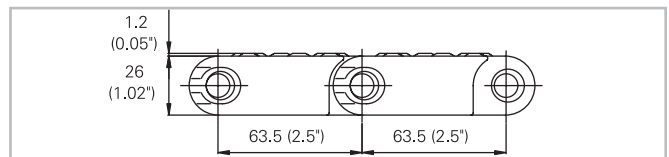
For detailed material properties refer to pages 276 - 281 or contact your Habasit representative.

The nominal tensile strength is valid for 23 °C (73 °F). The admissible tensile force depends on the operating temperature near the drive sprockets. Within the temperature range allowed, the admissible tensile force may vary from 100% to 20% of the nominal tensile strength. For detailed information and correct calculation of effective tensile force refer to the Calculation Guide in the HabasitLINK® Engineering Guidelines.

HabasitLINK® Straight 2-1/2" Pitch Belting M6424 Non Slip Perforated 2.5"

Description

- Heavy duty belt extremely strong and stiff
- 10% open area suitable for car water test lines
- Closed hinge
- Rod diameter 10 mm (0.39")
- Smart Fit rod retention
- Non Slip profile for people mover applications
- Steel rods available
- Lug teeth solid sprockets
- Antistatic version available



Belt data

Belt material		POM	
Rod material		PA	Stainless Steel
Nominal tensile strength F_N straight run	N <i>lbf</i>	100000 <i>6854</i>	100000 <i>6854</i>
Temperature range	°C °F	-40 - 93 -40 - 200	-40 - 93 -40 - 200
Belt weight m_B	kg/m ² <i>lb/sqft</i>	25.9 <i>5.31</i>	34.1 <i>6.99</i>

Diameter of idling rollers (minimum)		Diameter of support rollers (minimum)		Diameter for gravity take-up and center drive rollers (minimum)		Backbending radius for eleva- tors without sideguards or hold down devices (minimum)	
mm	<i>inch</i>	mm	<i>inch</i>	mm	<i>inch</i>	mm	<i>inch</i>
100	<i>4</i>	100	<i>4</i>	200	<i>8</i>	200	<i>8</i>

Standard range of belt widths b_0

mm (nom.)	100	200	300	400	500	600	700	800	900	1000	1100	1200	1300	etc.
<i>inch (nom.)</i>	<i>3.9</i>	<i>7.9</i>	<i>11.8</i>	<i>15.7</i>	<i>19.7</i>	<i>23.6</i>	<i>27.6</i>	<i>31.5</i>	<i>35.4</i>	<i>39.4</i>	<i>43.3</i>	<i>47.2</i>	<i>51.2</i>	<i>etc.</i>

Real belt widths are in most cases 0.1% to 0.3% smaller.

Standard belt widths in increments of 100 mm (3.9"). Non-standard widths are offered in increments of 50 mm (2"). Non-bricklaid belts 100 mm (3.9") and 200 mm (7.9").

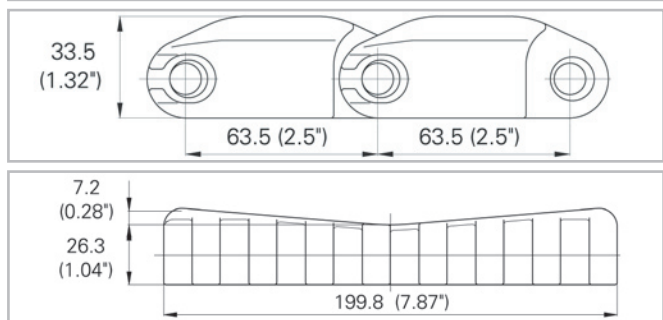
For detailed material properties refer to pages 276 - 281 or contact your Habasit representative.

The nominal tensile strength is valid for 23 °C (73 °F). The admissible tensile force depends on the operating temperature near the drive sprockets. Within the temperature range allowed, the admissible tensile force may vary from 100% to 20% of the nominal tensile strength. For detailed information and correct calculation of effective tensile force refer to the Calculation Guide in the HabasitLINK® Engineering Guidelines.

HabasitLINK® Straight 2-1/2" Pitch Belting M6425 Reel Top 2.5" MTW

Description

- Heavy duty belt for paper roll conveying
- 200 mm (8") wide
- Reel Top with 4.7° angle
- Surface optimized for gentle handling of paper
- 0% open area
- Closed hinge
- Rod diameter 10 mm (0.39")
- Smart Fit rod retention
- Lug teeth solid sprockets



Belt data

Belt material		POM	
Rod material		PA	Stainless Steel
Nominal tensile strength F_N	N	20000	22000
straight run	lbf	4500	4950
Temperature range	°C	-40 - 93	-40 - 93
	°F	-40 - 200	-40 - 200

Belt weight: for POM/PA: 6.1 kg/m (4.1 lb/ft) and for POM/Stainless steel: 7.7 kg/m (5.2 lb/ft)

Diameter of idling rollers (minimum)		Diameter of support rollers (minimum)		Diameter for gravity take-up and center drive rollers (minimum)		Backbending radius for elevators without sideguards or hold down devices (minimum)	
mm	inch	mm	inch	mm	inch	mm	inch
100	4	100	4	200	8	200	8

Standard range of belt widths b_0

mm (nom.)	200
inch (nom.)	8

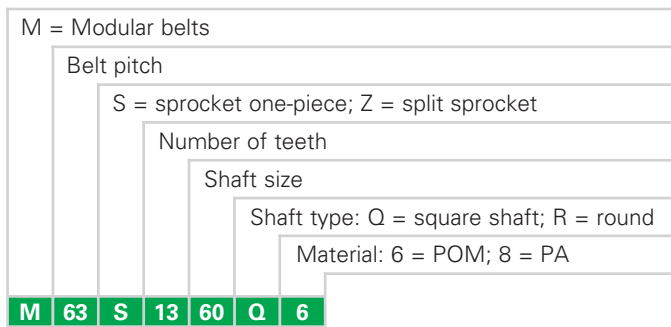
Real belt widths are in most cases 0.1% to 0.3% smaller.

For detailed material properties refer to pages 276 - 281 or contact your Habasit representative.

The nominal tensile strength is valid for 23 °C (73 °F). The admissible tensile force depends on the operating temperature near the drive sprockets. Within the temperature range allowed, the admissible tensile force may vary from 100% to 20% of the nominal tensile strength. For detailed information and correct calculation of effective tensile force refer to the Calculation Guide in the HabasitLINK® Engineering Guidelines.

HabasitLINK® Sprockets - 2-1/2" Pitch Belting

Sprocket Series M6400



Sprocket availability

Type	Number of teeth	Diam. of pitch $\emptyset d_p$ A ₁		Hub width B _L		Square bore Q		Ø Round bore R		Standard material		
		mm	inch	mm	inch	mm	inch	mm	inch			
S-C1	10	206.4	8.1	90.2	3.55	27	1.06	40 / 60 / 90	1.5 / 2.5 / 3.5	30 / 40 / 60	1 / 1.5 / 2.5	PA
S-C1	12	246.4	9.7	110.2	4.34	27	1.06	40 / 60 / 90	1.5 / 2.5 / 3.5	30 / 40 / 60	1 / 1.5 / 2.5	PA
S-C1	13	266.4	10.5	120.2	4.73	27	1.06	40 / 60 / 90	1.5 / 2.5 / 3.5	30 / 40 / 60	1 / 1.5 / 2.5	PA
S-C1	15	306.7	12.1	140.4	5.53	27	1.06	40 / 60 / 90 / 120	1.5 / 2.5 / 3.5 / 4.5	30 / 40 / 60 / 90	1 / 1.5 / 2.5	PA
S-C1	20	407.6	16.1	190.8	7.51	27	1.06	40 / 60 / 90 / 120	1.5 / 2.5 / 3.5 / 4.5	30 / 40 / 60 / 90	1 / 1.5 / 2.5	PA

S-C1: machined sprockets. Other sprocket and hub sizes on request.

Key ways for round bore shape follow European standards for metric sizes and US standards for imperial sizes. For detailed dimensions see table in the Design Guide.

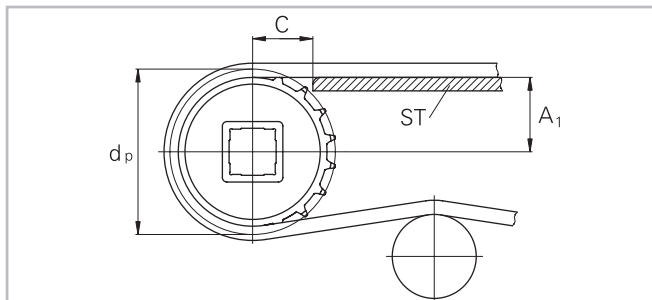
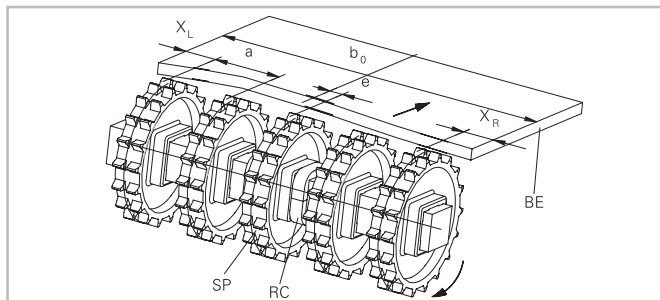
Other materials available on request.



Sprocket one-piece (solid)

For a 100 mm wide belt double-row sprockets are recommended.

Sprocket arrangement



The distance **C** between the sprocket axis and the slider support **ST** is minimal 66 mm (2.6").

BE Belt
RC Retainer
SP Sprocket
b₀ belt width

Wearstrips

Between driving shaft and idling sprockets or rollers the belt is carried by a slider support furnished with longitudinal wear strips from UHMW Polyethylene or other suitable material.

Sprocket positioning

For correct positioning of the center sprocket divide the belt width by the link increment. The rounded result will be an even or an odd number. These numbers are the criteria for offset or no offset, see table.

Belt type	Sprocket spacing a		Sprocket edge distance (minimal)		Criteria for center sprocket position	Result of formula (rounded)	Offset e	Remarks
	minimal	maximal	X_L	X_R				
	mm inch	mm inch	mm inch	mm inch				
M6420	50	150	25	25	$b_0 / 50$ $b_0 / 1.97$	even number (2, 4, 6 ...)	25 1	Offset to which side right or left side
	2	6	1	1		odd number (3, 5, 7 ...)	0 0	no offset

Numbers of sprockets and wearstrips

Standard belt width (nominal)		Number of sprockets per shaft min. number	Number of wearstrips	
mm	<i>inch</i>		Carryway (top)	Returnway (bottom)
100	4	1	2	2
200	8	2	2	2
300	12	2	3	3
400	16	3	3	3
500	20	3	4	3
600	24	3	4	3
700	28	5	5	4
800	32	5	5	4
900	36	5	6	5
1'000	40	7	6	5
1'100	43	7	7	5
1'200	47	7	7	5
1'300	51	9	8	6
1'400	55	9	8	6
1'500	59	9	9	7
1'600	63	11	9	7
1'700	67	11	10	7
1'800	71	11	10	7
1'900	75	13	11	8
2'000	79	13	11	8
2'100	83	13	12	9
2'200	87	15	12	9
2'300	91	15	13	10
2'400	94	15	13	10
2'500	98	17	14	10
2'600	102	17	14	10
2'700	106	17	15	11
2'800	110	19	15	11
2'900	114	19	16	12
3'000	118	19	16	12

The number of sprockets depends on the belt load and may be different for driving and idling shafts. For calculation of correct sprocket number please use LINK-SeleCalc.

Material Properties

Standard Belt Materials

Material	Code	Description	Food ¹⁾ approv.	Density g/cm ³	Temperature range
Polypropylene	PP	Thermoplastic material with good cost/ performance relation (material for most of the common conveying applications). Excellent chemical resistance to acids and alkalines. * High impacts below 10 °C (50 °F) must be avoided.	EU FDA	0.9	+5 °C to +105 °C (*) +40 °F to +220 °F (*)
Polyethylene	PE	Thermoplastic material well suited for very low temperatures and/or high impact applications. Excellent chemical resistance to acids and alkalines. Not suitable for abrasive applications. * Below -40 °C (-40 °F), thermal belt shrinkage requires a sprocket pitch diameter adaptation.	EU FDA	0.94	-70 °C to +65 °C (*) -94 °F to +150 °F (*)
Polyoxymethylene (Acetal)	POM	Thermoplastic material with high strength and low coefficient of friction. Impact and cut resistant surface. Suitable for heavy duty applications and low temperatures. Good chemical resistance to oil and alkalines, but not suitable for long-term contact with high concentration of acids and chlorine.	EU FDA	1.42	wet conditions: -40 °C to +60 °C -40 °F to +140 °F dry conditions: -40 °C to +93 °C -40 °F to +200 °F
Polyamide (Nylon for US market)	PA Code add. +US PA 66	Thermoplastic material with high strength and abrasion resistance. Suitable for heavy duty applications at dry conditions and elevated temperatures. Material is modified to keep its good properties stable over a long time at elevated temperatures.	FDA	1.14	wet conditions: not recommended dry conditions : -46 °C to +118 °C (short-term +135 °C) -50 °F to +245 °F (short-term +275 °F)
Polyamide (Nylon)	PA	Thermoplastic material with high strength and abrasion resistance. Suitable for heavy duty applications at dry conditions and elevated temperatures. Material is specially modified to keep its good properties stable over a long time at elevated temperatures.	EU	1.14	wet conditions: not recommended dry conditions: -46 °C to +130 °C (short-term +160 °C) -50 °F to +266 °F (short-term +320 °F)

¹⁾ The Food approval statement refers to the HabasitLINK product range.
For detailed food approval, please contact Habasit.

Material	Code	Description	Food ¹⁾ approv.	Density g/cm ³	Temperature range
Antistatic Polypropylene	PP Code add. +AS	Thermoplastic material with reduced electrical surface resistance to reduce dust accumulation and belt charge-up. * High impacts below 10 °C (50 °F) must be avoided		0.9	wet conditions: not recommended dry conditions: +5 °C to +105 °C (*) +40 °F to +220 °F (*)
Detectable Polypropylene	PP Code add. +DE	Thermoplastic material with a special additive which makes the material very well detectable (X-ray and metal detectors). Excellent chemical resistance to alkalines. * High impacts below 10 °C (50 °F) must be avoided.	EU FDA	0.95	+5 °C to +105 °C (*) +40 °F to +220 °F (*)
Electrically conductive Polypropylene	PP Code add. +EC	Thermoplastic material with a low electrical surface and volume resistance. Electrical surface resistance below 50'000 Ohm/sq (DIN/EN 1637). Good cost/performance relationship. Excellent chemical resistance to acids and alkalines. Electrical resistance fulfills the DIN EN 61340 for ESD safety areas. * High impacts below 10 °C (50 °F) must be avoided.		1.02	+5 °C to +105 °C (*) +40 °F to +220 °F (*)
Electrically conductive and flame-retardant Polypropylene	PP Code add. +FC	Thermoplastic material with a combination of low electrical resistance and very good flame retardant properties. Electrical surface resistance below 50'000 Ohm/sq (DIN EN 1637). Electrical resistance fulfills the DIN EN 61340 for ESD safety areas. Flammability classification according DIN EN 13501, which is requested from the automotive industry. * High impacts below 10 °C (50 °F) must be avoided.		1.32	+5 °C to +80 °C (*) +40 °F to +176 °F (*)
Flame retardant Polypropylene	PP Code add. +FR	Flame retardant thermoplastic material for most of the common conveying applications with special demand on low-flammability. Good chemical resistance to acids and alkalines. Flammability classification according DIN EN 13501, which is requested from the automotive industry. * High impacts below 10 °C (50 °F) must be avoided. Flammability UL94 V0, ISO-340.		1.05	+5 °C to +105 °C (*) +40 °F to +220 °F (*)
Submersible Polypropylene	PP Code add. +GR	Thermoplastic material with a density which allows that the material sinks in water. It has a good chemical and hot water resistance which allows a continuous use in boiling water. * High impacts below 10 °C (50 °F) must be avoided. For the detailed chemical resistance please contact Habasit	EU FDA	1.24	+ 5°C to + 105°C (*) +40°F to + 220°F (*)

¹⁾ The Food approval statement refers to the HabasitLINK product range.
For detailed food approval, please contact Habasit.

Material Properties

Special Belt Materials (Cont.)

Material	Code	Description	Food ¹⁾ approv.	Density g/cm ³	Temperature range
HabaGUARD® Polypropylene	PP Code add. +H15	Thermoplastic material containing antimicrobial additive, with excellent chemical resistance to acids and alkalines. * High impacts below 10 °C (50 °F) must be avoided.	FDA	0.9	+5 °C to +105 °C (*) +40 °F to +220 °F (*)
HabaGUARD® Polyethylene	PE Code add. +H15	Thermoplastic material containing antimicrobial additive, well suited for low temperatures and high impact applications. Excellent chemical resistance against acids and alkalines. * Below -40 °C (-40 °F), thermal belt shrinkage requires a sprocket pitch diameter adaptation.	FDA	0.94	-70 °C to +65 °C (*) -94 °F to +150 °F (*)
Detectable Polypropylene	PE Code add. +DE	Thermoplastic material with a special additive, which makes the material very well detectable (X-ray and metal detectors). Well suitable for low temperature and/or high impact applications. Excellent chemical resistance to acids and alkalines. * Below -40 °C (-40 °F), thermal belt shrinkage requires a sprocket pitch diameter adaptation.	EU FDA	1.15	-70 °C to +65 °C (*) -94 °F to +150 °F (*)
Antistatic Polyoxymethylene (Acetal)	POM Code add. +AS	Thermoplastic material with reduced electrical surface resistance to reduce dust accumulation and belt charge-up. Suitable for heavy duty applications and low temperatures. Material has high strength, low coefficient of friction and scratch-resistant surface.		1.42	wet conditions: not recommended dry conditions: -40 °C to +93 °C -40 °F to +200 °F
Detectable Polyoxymethylene (Acetal)	POM Code add. +DE	Thermoplastic material with a special additive, which makes the material very well detectable (X-ray and metal detectors). The material has a good chemical resistance against oil and alkalines, but not suitable for long term contact with high concentration of acids and chlorine.	EU FDA	1.53	wet conditions: -40 °C to +60 °C -40 °F to +140 °F dry conditions: -40 °C to +93 °C -40 °F to +200 °F
Electrically conductive Polyoxymethylene (Acetal)	POM Code add. +EC	Thermoplastic material with a low electrical surface and volume resistance. Electrical surface resistivity Ds below 50'000 Ohm/sq (DIN/EN 1637). Material has a high strength and low coefficient of friction. Suitable for heavy duty applications and low temperatures.		1.42	dry conditions: -40 °C to +93 °C -40 °F to +200 °F

¹⁾ The Food approval statement refers to the HabasitLINK product range.
For detailed food approval, please contact Habasit.

Material Properties

Special Belt Materials (Cont.)

Material	Code	Description	Food ¹⁾ approv.	Density g/cm ³	Temperature range
Impact and cut resistant Polyoxymethylene (Acetal)	POM Code add. +IM	Thermoplastic material with advanced impact and cut resistant surface. Suitable for meat cutting conveyors and high impact applications. Good chemical resistance to oil and alkalines, but not suitable for long-term contact with high concentration of acids and chlorine.	EU FDA	1.42	wet conditions: -40 °C to +60 °C -40 °F to +140 °F dry conditions: -40 °C to +93 °C -40 °F to +200 °F
Fatigue resistant Polyoxymethylene (Acetal)	POM Code add. +JM	Thermoplastic material with high strength, low coefficient of friction and improved fatigue resistance. Good chemical resistance to oil and alkalines, but not suitable for long-term contact with high concentration of acids and chlorine.	EU FDA	1.42	wet conditions: -40 °C to +60 °C -40 °F to +140 °F dry conditions: -40 °C to +93 °C -40 °F to +200 °F
Low friction Polyoxymethylene (Acetal)	POM L	Thermoplastic material with high strength and low coefficient of friction (low friction grade self-lubricating additives). Impact and cut resistant surface. Suitable for heavy duty applications and low temperatures. Good chemical resistance to oil and alkalines, but not suitable for long-term contact with high concentration of acids and chlorine.	FDA	1.42	wet conditions: -40 °C to +60 °C -40 °F to +140 °F dry conditions: -40 °C to +93 °C -40 °F to +200 °F
Low friction Polyoxamethylene (Acetal)	POM Code add. +LF	Thermoplastic material with high strength and low coefficient of friction. Impact and cut resistant surface. Suitable for heavy duty applications and low temperatures. Good chemical resistance to oil and alkalines, but not suitable for long-term contact with high concentration of acids and chlorine.	EU FDA	1.42	wet conditions: -40 °C to +60 °C -40 °F to +140 °F dry conditions: -40 °C to +93 °C -40 °F to +200 °F
Wear resistant Polyoxymethylene (Polyacetal)	POM Code add. +PK	Extra wear resistant thermoplastic material with high strength, low coefficient of friction and very good fatigue resistance. Good chemical resistance to oil and alkalines, but not suitable for long-term contact with high concentration of acids and chlorine.		1.42	wet conditions: -40 °C to +60 °C -40 °F to +140 °F dry conditions: -40 °C to +93 °C -40 °F to +200 °F
Ultra low friction Polyoxymethylene (Acetal)	POM U	Thermoplastic material with high strength and low coefficient of friction (ultra low friction grade self-lubricating additives). Impact and cut resistant surface. Suitable for heavy duty applications and low temperatures. Good chemical resistance to oil and alkalines, but not suitable for long-term contact with high concentration of acids and chlorine.	FDA	1.42	wet conditions: -40 °C to +60 °C -40 °F to +140 °F dry conditions: -40 °C to +93 °C -40 °F to +200 °F

¹⁾ The Food approval statement refers to the HabasitLINK product range.
For detailed food approval, please contact Habasit.

Material Properties

Special Belt Materials (Cont.)

Material	Code	Description	Food ¹⁾ approv.	Density g/cm ³	Temperature range
UV protected Polyoxymethylene (Acetal)	POM Code add. +UV	Thermoplastic material with improved resistance against UV radiation, especially for outdoor applications. The material has a high strength and low coefficient of friction. It is suitable for heavy duty applications and low temperatures.		1.42	wet conditions: -40°C to + 60°C -40°F to + 140°F dry conditions: -40°C to + 93°C -40°F to + 200°F
Reinforced Polyamide (Nylon)	PA Code add. +GF	Reinforced thermoplastic material with high strength. Suitable for heavy conveying applications at dry conditions and elevated temperatures. Material is specially modified to keep its good properties stable over a long time at elevated temperatures.	EU FDA	1.41	wet conditions: not recommended dry conditions: -40 °C to +145 °C (short-term +175 °C) -40 °F to +293 °F (short-term +347 °F)
Reinforced Polyamide (Nylon)	PA Code add. +HT	Reinforced thermoplastic material with very high strength and toughness. Suitable for heavy conveying applications at dry conditions and elevated temperatures. Material is specially modified to keep its good properties stable over a long time at elevated temperatures.		1.41	wet conditions: not recommended dry conditions: -40 °C to +170 °C (short-term +200 °C) -40 °F to +338 °F (short-term +392 °F)
Reinforced non-stick Polyamide (Nylon)	PA Code add. +HN	Reinforced non-stick thermoplastic material with high strength. Suitable for heavy conveying applications at dry conditions and elevated temperatures. Material is specially modified to keep its good properties stable over a long time at elevated temperatures.		1.41	wet conditions: not recommended dry conditions: -40 °C to +170 °C (short-term +200 °C) -40 °F to +338 °F (short-term +392 °F)
Impact and cut resistant Polyamide (Nylon)	PA Code add. +IM	Tough thermoplastic material with good strength and fatigue resistance. Suitable for heavy conveying applications with high impact load: The belt properties and dimensions change with moisture absorption. The material can replace impact resistant acetal in impact intensive applications, but is more susceptible to cuts. In wet environment, dimension change needs to be considered.	EU FDA	1.08	wet conditions: -46 °C to +60 °C -50 °F to +140 °F dry conditions: -46 °C to +80 °C -50 °F to +176 °F
Polyamide 612 (Nylon)	PA 612	Tough thermoplastic material with good strength and fatigue resistance: The belt properties include good dimensional stability, low moisture absorption and high level of heat resistance.	FDA		wet conditions: not recommended dry conditions: -40 °C to +118 °C (short term 135 °C) -40 °F to +245 °F (short term 275 °F)

¹⁾ The Food approval statement refers to the HabasitLINK product range.
For detailed food approval, please contact Habasit.

Material Properties

Special Belt Materials (Cont.)

Material	Code	Description	Food ¹⁾ approv.	Density g/cm ³	Temperature range
Super High Temperature	ST	Reinforced thermoplastic material with very good heat and hydrolysis resistance. Suitable for light conveying applications at elevated temperatures. Material is specially modified to keep its good properties stable over a long time at elevated temperatures. Flammability UL94 V0, ISO-340.	EU FDA	1.65	wet conditions: on request dry conditions: 0 °C to +200 °C (short-term +240 °C) +32 °F to +392 °F (short-term +464 °F)
Flame retardant Polybutylene-terephthalate	PBT Code add. +FR	Flame retardant thermoplastic material with excellent stiffness and hardness. Suitable for conveying applications with special demand on low-flammability. Material has good friction and wear properties by showing a good dynamic long-term behavior. Flammability UL94 V0, ISO-340.		1.47	wet conditions: -40 °C to +60 °C -40 °F to +140 °F dry conditions: -40 °C to +130 °C (short-term +150 °C) -40 °F to + 266 °F (short-term + 302 °F)
Thermoplastic elastomer	TPE	Soft thermoplastic material with a hardness of 50 or 65 Shore A. Material has high friction values and good abrasion resistance. Suitable for conveying applications where a high grip between belt and product is required. Used for GripTop modules. * TPE with 65 Shore A is not for direct food contact	FDA*	1.12	-40 °C to +60 °C -40 °F to +140 °F
Flame retardant thermoplastic elastomer	TPE Code add. +FR	Flame retardant soft thermoplastic material with a hardness of 50 shore A. Material has high friction values and good abrasion resistance. Suitable for conveying applications where a high grip between belt and product is required. Used for GripTop modules. Flammability UL94 V0, ISO-340.		1.25	-40 °C to +60 °C -40 °F to +140 °F
Thermoplastic elastomer	TPV	Soft thermoplastic material with a hardness of 55 or 72 Shore A. Material has high friction values and good abrasion resistance. Suitable for conveying applications where a high grip between belt and product is required. Used for GripTop modules.	FDA	0.96	-40 °C to +71 °C -40 °F to +160 °F

¹⁾ The Food approval statement refers to the HabasitLINK product range.
For detailed food approval, please contact Habasit.

Material Properties

Materials for Sprockets

Material	Code	Description	Food ¹⁾ approv.	Density g/cm ³	Temperature range
Polypropylene	PP	Thermoplastic material with excellent chemical resistance to acids, alkalines and hot water. Abrasion resistance worse than POM.	EU FDA	0.90	+5 °C to +105 °C <i>+40 °F to +220 °F</i>
Polyoxymethylene (Acetal)	POM (AC)	Lubricated thermoplastic material specially formulated for molded sprockets, with high strength and good abrasion resistance. Good chemical resistance to oil and alkalines, but not suitable for long-term contact with high concentration of acids and chlorine.	EU FDA	1.42	wet conditions: -40 °C to +60 °C <i>-40 °F to +140 °F</i> dry conditions: -40 °C to +93 °C <i>-40 °F to +200 °F</i>
Polyamide	PA	Thermoplastic material for molded or machined sprockets with high strength and very good abrasion resistance. Suitable for heavy duty applications at dry conditions and elevated temperatures. Material is specially modified to keep its good properties stable over a long time at elevated temperatures.	EU (FDA on request)	1.14	wet conditions: not recommended dry conditions: -46 °C to +116 °C (short-term +135 °C) <i>-50 °F to +240 °F</i> (short-term +275 °F)
Thermoplastic Polyurethane	TPU	Tough thermoplastic material for molded or machined sprockets with very good abrasion resistance. Suitable for abrasive applications at wet or dry conditions with medium load. Material is specially formulated to reduce the teeth wear to a minimum.		1.24	-20 °C to +50 °C <i>-4 °F to +120 °F</i>
Super High Temperature	ST	Reinforced thermoplastic material with very good heat and hydrolysis resistance. Suitable for light conveying applications at elevated temperatures. Material is specially modified to keep its good properties stable over a long time at elevated temperatures. Flammability UL94 V0	EU FDA	1.65	wet conditions: on request dry conditions: 0 °C to +200 °C (short-term +240 °C) <i>-32 °F to +392 °F</i> (short-term +464 °F)
Ultra high molecular weight Polyethylene	UHMW PE	Ultra high molecular weight material for machined sprockets. Good abrasion resistance and very good chemical resistance.	EU FDA	0.94	-70 °C to +50 °C <i>-94 °F to +120 °F</i>

¹⁾ The Food approval statement refers to the HabasitLINK product range.

For detailed food approval, please contact Habasit.

Application	standard	POM, UHMW PE
	high abrasion, dry	PA, TPU
	high abrasion, wet	TPU
	chemicals (alkaline, acids)	PP
	high temperature	ST

Material Properties

Materials for Wearstrips and Guides

Material	Code	Description	Density g/cm ³	Temperature range
Ultra high molecular weight Polyethylene	UHMW PE (PE 4000)	For heavy conveying applications (high loads); offers reduced wear and longer lifetime. Habasit offers standard guiding profiles and wearstrips (see page xxx).	0.94	-70 °C to +65 °C -94 °F to +150 °F
High molecular weight Polyethylene	HMW PE (PE 1000)	For quite heavy conveying applications (relatively high loads) offers almost the same features of UHMW PE but with slightly harder surface.	0.95	-70 °C to +65 °C -94 °F to +150 °F
Medium molecular weight Polyethylene	HDPE (PE 500)	Low cost material suitable for most applications with moderate load and low speed. Not suitable for static nosebars.	0.95	-70 °C to +65 °C -94 °F to +150 °F
Cast Polyamide 66 with incorporated Polymer and/or solid lubricating additives (e. g. PA6+MoS2)	Lubricated PA	Cast material with high molecular weight, high strength and very high wear resistance. Due to the incorporated lubricating additives the friction values are very low, and due to the high molecular weight the material is very tough and therefore very abrasion resistant. Suitable for heavy applications and high speeds. Material is hygroscopic (water adsorption should be taken into account).	1.13	-46 °C to +120 °C -50 °F to +248 °F

Material Properties

Chemical Resistance

The data presented in the following table are based on the information given by the raw material manufacturers and suppliers. It does not relieve of a qualification test of the products for your application. In individual cases the stability of the material in the questionable medium is to be examined.

Code: ■ = good resistance ▼ = conditionally / sometimes resistant □ = not resistant (not to be used)

Designation of chemical	Polypropylene (PP) also valid for +FR, +AS and +DE		Polyethylene (PE, HDPE or UHMWE)		Polyoxymethylene (POM) Acetal (AC) also valid for +AS, +EC, +DE, +UV		Polyamide (PA) also valid for +US, +GF and +HT		Super High Temperature Material (ST)			Thermoplastic Polyurethane (TPU) also valid for +UV		Thermoplastic elastomer (TPE) also valid for +FR		Flame retardant Polybutyleneterephthalate (PBT) also valid for +FR	
	20 °C (70 °F)	60 °C (140 °F)	20 °C (70 °F)	60 °C (140 °F)	20 °C (70 °F)	60 °C (140 °F)	20 °C (70 °F)	60 °C (140 °F)	20 °C (70 °F)	65 °C (149 °F)	93 °C (200 °F)	20 °C (70 °F)	60 °C (140 °F)	20 °C (70 °F)	60 °C (140 °F)	20 °C (70 °F)	60 °C (140 °F)
Acetic Acid > 5%	■	■	■	▼	▼	□	□	□	■	■	■	□	□	□	□	▼	□
Acetic Acid – 5%	■	■	■	■	■	■	▼	□	■	■	■	□	□	□	□	■	▼
Acetone	■	■	■	■	▼	▼	■	■	■	■	■	□	□	□	□	▼	□
Alcohol – all types	■	■	■	■	■	▼	■	■	■	■	■	□	□	▼	■	▼	
Aluminum Comp.	■	■	■	■	■	■	■	■	■	■	■	■	■	■	■	■	■
Ammonia	■	■	■	■	■	■	■	■	■	▼	□	■	■	■	■	▼	□
Ammonium Comp.	■	■	■	■	■	■	■	■	■	■	■	■	■	■	■	■	□
Aniline	■	■	■	□	■	▼	■	■	■	▼	□	□	□	■	■	▼	■
Aqua Regia	□	□	▼	□	■	■	□	□	□	■	■	■	■	■	■	■	■
Arsenic Acid	■	■	■	■	■	■	■	■	■	■	■	■	■	■	■	■	■
Barium Comp.	■	■	■	■	■	■	■	■	■	■	■	■	■	■	■	■	■
Beer	■	■	■	■	■	■	■	■	■	■	■	■	■	■	■	■	■
Benzene	▼	□	▼	□	▼	▼	■	■	■	▼	□	■	■	■	■	▼	□
Benzenesulfonic Acid – 10%	■	■	■	■	■	■	■	■	■	▼	□	■	■	■	■	■	■
Benzoic Acid	■	■	■	■	■	■	■	▼	▼	■	□	■	■	■	■	■	■
Beverages (soft drinks)	■	■	■	■	■	■	■	■	■	■	■	■	■	■	■	■	■
Borax	■	■	■	■	■	■	■	■	■	■	■	■	■	■	■	■	■
Boric Acid	■	■	■	■	■	■	■	■	■	■	■	■	■	■	■	■	■
Brine – 10%	■	■	■	■	■	■	■	■	■	■	■	■	■	■	■	■	■
Butyl Acrylate	□	□	■	▼	■	■	■	■	■	■	■	■	■	■	■	■	▼
Butyric Acid	■	■	■	▼	■	■	■	■	■	■	■	■	■	■	■	■	■
Carbon Dioxide	■	■	■	■	■	■	■	■	■	■	■	■	■	■	■	■	■
Carbon Disulfide	▼	□	▼	□	■	■	■	■	■	■	■	■	■	■	■	■	■
Carbon Tetrachloride	▼	□	▼	□	■	▼	■	■	■	▼	□	□	□	□	□	□	□
Chloroacetic Acid	■	■	■	■	■	■	■	■	■	■	■	■	■	■	■	■	■
Chlorine – Gas	□	□	▼	□	□	□	□	□	□	□	□	□	□	□	□	□	□
Chlorine – Liquid	□	□	□	□	□	□	□	□	□	□	□	□	□	□	□	□	□
Chlorine Water (0.4% Cl)	■	▼	■	▼	□	□	□	□	□	■	■	■	■	■	■	■	■
Chlorobenzene	□	□	▼	□	▼	▼	■	■	■	▼	□	□	□	□	□	□	□
Chloroform	□	□	□	□	□	□	▼	■	■	■	■	■	■	■	■	■	■
Chromic Acid – 50%	■	■	■	▼	□	□	▼	■	■	■	■	■	■	■	■	■	■
Chromic Acid – 3%	■	■	■	■	▼	▼	■	■	■	■	■	■	■	■	■	■	■
Citric Acid – 40%	■	■	■	■	■	□	■	■	■	■	■	■	■	■	■	■	■
Citric Acid – 10%	■	■	■	■	■	■	■	■	■	■	■	■	■	■	■	■	▼
Citrus Juices	■	■	■	■	■	■	■	■	■	■	■	■	■	■	■	■	■
Coconut Oil	■	■	■	■	■	■	■	■	■	■	■	■	■	■	■	■	■
Copper Comp.	■	■	■	■	■	■	▼	■	■	■	■	■	■	■	■	■	■
Corn Oil	■	■	■	■	■	■	■	■	■	■	■	■	■	■	■	■	■

Chemical Resistance

Designation of chemical	Polypropylene (PP) also valid for +FR, +AS and +DE		Polyethylene (PE, HDPE or UHMWPE)		Polyoxymethylene (POM) Acetal (AC) also valid for +AS, +EC, +DE, +UV		Polyamide (PA) also valid for +US, +GF and +HT		Super High Temperature Material (ST)			Thermoplastic Polyurethane (TPU) also valid for +UV		Thermoplastic elastomer (TPE) also valid for +FR		Flame retardant Polybutylene terephthalate (PBT) also valid for +FR	
	20 °C (70 °F)	60 °C (140 °F)	20 °C (70 °F)	60 °C (140 °F)	20 °C (70 °F)	60 °C (140 °F)	20 °C (70 °F)	60 °C (140 °F)	20 °C (70 °F)	65 °C (149 °F)	93 °C (200 °F)	20 °C (70 °F)	60 °C (140 °F)	20 °C (70 °F)	60 °C (140 °F)	20 °C (70 °F)	60 °C (140 °F)
Cottonseed Oil	■	■	■	■	■	■	■	■	■	■	■	■				■	■
Cresol	■	■	■	▼			□	□	■	▼	□	□					
Cyclohexane	■	▼	□	□					■	■	■	▼					
Cyclohexanol	■	▼	▼	□					■	■	■	□					
Cyclohexanone	■	▼	□	□					■	■	■	□					
Detergents	■	■	■	■	■	■	■		■	■	■	■		■		■	■
Dextrin	■	■	■	■													
Dibutyl Phthalate	■	▼					■	■									
Diethyl Ether	□	□	□	□	▼	▼	■	■	■	■	■					■	▼
Diethylamine	■	■		□													
Diglycolic Acid – 30%	■	■	■	■													
Diisooctyl Phthalate	■	■															
Dimethyl Phthalate	■	■							■	▼	□						
Dimethylamine	■						■	■									
Diocetyl Phthalate	■	▼					■	■	■	▼	□						
Ethyl Acetate	■	■	▼	▼	▼	□	■	■	■	■	■	□		□		▼	□
Ethyl Ether	▼	▼							■	■	■	□					
Ethylamine	■	■															
Ethylene Glycol – 50%	■	■	■	■	■	▼	■	▼	■	■	■					■	▼
Ferric/Ferrous Comp.	■	■	■	■	▼	□			■	■	■						
Formaldehyde – 37%	■	■	■	▼	■	■			■	■	■	□		▼			
Formic Acid – 85%	■	▼	■	■			▼	□	■	■	■	□		□		▼	□
Freon			■	■	▼	▼			■	▼	□						
Fuel Oil # 2	■	▼	■	□	▼	▼	■	■	■	■	■	■		□		■	■
Fruit Juices	■	■	■	■	■		■					■				■	
Furfural	▼	▼	▼	□			■		■	■	■						
Gasoline	▼	□	■	□	■	■	■	■	■	■	■						
Glucose	■	■	■	■	■	■						■					
Glycerol	■	■					■	■				▼		▼		■	■
Heptane	□	□	▼	□	■	■	■	■	■	■	■	■				■	■
Hexane	■	▼	□	□	■		■	■	■	■	■	■				■	■
Hydrobromic Acid – 50%	■	■	■	■			□	□	□					▼			
Hydrochloric Acid – 35%	■	■	■	■	□	□	□	□	□				▼		▼		
Hydrochloric Acid – 10%	■	■	■	■	□	□	□	□	□				▼		▼		□
Hydrofluoric Acid – 35%	■	■	■	■	□	□	□	□	□				□			□	
Hydrogen Peroxide – 3%	■	■	■	■	■	■	▼	▼	□				▼		■	■	▼
Hydrogen Peroxide – 90%	▼	▼	■	▼	▼	□	□	□	□				□			■	□
Hydrogen Sulfide	■	■	■	■			■	■	■	■	■						
Igepal – 50%	■	■			■	▼											
Iodine – Crystals	■	■	▼	▼	□	□	□	□	□				□				
Isooctane	□	□	■				■	■	■	■	■	■				■	■
Isopropyl Alcohol	■	■	■	■	■	■	■	■	■	■	■	□		▼		■	▼
Jet Fuel	▼	□	▼	▼	■	■	■	■	■	■	■			□		■	■
Kerosene	▼	□	▼	▼	■	■			■	■	■	■		□			
Lactic Acid	■	■	■	■			▼	□	■	■	■						

Chemical Resistance

Designation of chemical	Polypropylene (PP) also valid for +FR, +AS and +DE		Polyethylene (PE, HDPE or UHMWE)		Polyoxymethylene (POM) also valid for +AS, +EC, +DE, +UV		Polyamide (PA) also valid for +US, +GF and +HT		Super High Temperature Material (ST)			Thermoplastic Polyurethane (TPU) also valid for +UV		Thermoplastic elastomer (TPE) also valid for +FR		Flame retardant Polybutyleneterephthalate (PBT) also valid for +FR	
	20 °C (70 °F)	60 °C (140 °F)	20 °C (70 °F)	60 °C (140 °F)	20 °C (70 °F)	60 °C (140 °F)	20 °C (70 °F)	60 °C (140 °F)	20 °C (70 °F)	65 °C (149 °F)	93 °C (200 °F)	20 °C (70 °F)	60 °C (140 °F)	20 °C (70 °F)	60 °C (140 °F)	20 °C (70 °F)	60 °C (140 °F)
Lanolin	■	▼	■	■													
Lauric Acid	■	■	■	■													
Lead Acetate	■	■	■	■			■	■									
Linseed Oil	■	■	■	■	■	■	■	■				■				■	■
Lubricating Oil	■	▼			■	■	■	▼	■	■	■	■		□		■	■
Magnesium Comp.	■	■	■	■			■	■	■	■	■						
Malic Acid – 50%	■	■	■	■			■	■									
Manganese Sulfate	■		■	■			▼	▼									
Margarine	■	■	■	■													
Mercury	■	■	■	■			■									■	
Methyl Chloride	▼	▼					■	■								□	
Methyl Ethyl Ketone	■	▼	□	□	▼	▼	■		■	■	■	□		□		□	□
Methyl Isobut. Ketone	■	▼							■	■	■			□			
Methylsulfuric Acid	■	■	■	■													
Methylene Chloride	▼	□	□	□			▼	▼	■	▼	□	□		□			
Milk	■	■	■	■	■	■	■	■				■					
Mineral Oil	▼	□	■	▼	■	■	■		■	■	■	■		□		■	■
Mineral Spirits	▼	□							■	■	■			□		■	■
Molasses	■	■	■	■			■	■									
Motor Oil	■	▼			■	■	■	■	■	■	■	■		□		■	■
Naphtha	■	▼	▼	□			■	■	■	■	■						
Nitric Acid – 30%	■	▼	■	■	□	□	□	□	□			▼				□	
Nitric Acid – 50%	▼	□	■	▼	□	□	□	□	□			▼				□	
Nitrobenzene	■	▼	□	□			▼		■	▼	□						
Nitrous Acid	■								□								
Nitrous Oxide	■																
Oleic Acid	■	□			■	■	■	■	□								
Olive Oil	■	■	■	■					■	■	■	■		□		■	■
Oxalic Acid	■	■	■	■					□			■					
Ozone	▼	▼	▼	□	□	□	▼	▼	□			■					
Palmitic Acid – 70%	■	■	■	■			■	■	□								
Paraffin	■	■	■	■	■	■	■	■	■	■	■	■		▼			
Peanut Oil	■	■	■	■			■		■	■	■	■		□			
Perchloric Acid – 20%	■	■	■	■					□								
Perchloroethylene	□	□	□	□			▼	□	■	▼	□					■	□
Pathalic Acid – 50%	■	■	■	■					□								
Phenol	■	■	■	■	□	□	□	□	■	▼	□	□					
Phenol – 5%	■	■	■	■	□	□	□	□				□				▼	□
Phosphoric Acid – 30%	■	■	■	■	▼	□	□	□	□							■	□
Phosphoric Acid – 85%	■	■	■	■	□	□	□	□	□							■	□
Photographic Solutions	■	■	■	■			■										
Plating Solutions	■	■	■	■													
Potassium Comp.	■	■	■	■	■	■	▼					■				■	■
Potassium Hydroxide	■	■	■	■	■	■	▼		■	■	■					□	
Potassium Iodide (3% Iodine)	■	■	■	■													

Chemical Resistance

Designation of chemical	Polypropylene (PP) also valid for +FR, +AS and +DE		Polyethylene (PE, HDPE or UHMWE)		Polyoxymethylene (POM) Acetal (AC) also valid for +AS, +EC, +DE, +UV		Polyamide (PA) also valid for +US, +GF and +HT		Super High Temperature Material (ST)			Thermoplastic Polyurethane (TPU) also valid for +UV		Thermoplastic elastomer (TPE) also valid for +FR		Flame retardant Polybutylene terephthalate (PBT) also valid for +FR	
	20 °C (70 °F)	60 °C (140 °F)	20 °C (70 °F)	60 °C (140 °F)	20 °C (70 °F)	60 °C (140 °F)	20 °C (70 °F)	60 °C (140 °F)	20 °C (70 °F)	65 °C (149 °F)	93 °C (200 °F)	20 °C (70 °F)	60 °C (140 °F)	20 °C (70 °F)	60 °C (140 °F)	20 °C (70 °F)	60 °C (140 °F)
Potassium Permanganate	■	▼	■	■			□	□	□								
Silver Cyanide	■	■															
Silver Nitrate	■	■	■	■													
Sodium Comp.	■	■	■	■													
Sodium Chlorite	■	▼	■	■			□	□	■	■	■						
Sodium Hydroxide – 60%	■	■	■	■	■	■	□	□	■	■	■	▼		▼		□	
Sodium Hypochlorite – 5%	■	▼	■	▼	□	□	▼		▼	▼	▼				■	▼	
Stearic Acid	■	▼	■	■	▼		■	■									
Sulfamic Acid – 20%	■	■			□	□											
Sulfate Liquors	■	■															
Sulfur	■	■	■	■			■	■									
Sulfur Chloride	■																
Sulfur Dioxide	■	■	■	■	□	□	▼	▼									
Sulfuric Acid – 10%	■	■	■	■	■	□	□	□	■	▼	□	▼		■		■	■
Sulfuric Acid – 50%	■	■	■	■	□	□	□	□	▼	□	□	▼		■		▼	
Sulfuric Acid – 70%	■	▼	■	▼	□	□	□	□	□	□	□	▼				□	
Sulfurous Acid	■		■	■			▼	▼									
Tannic Acid – 10%	■	■	■	■				▼				■					
Tartaric Acid	■	■	■	■			■	▼				■					
Tetrahydrofuran	▼	□			▼	▼	■										
Toluene	□	□	□	□	▼	□	■	■	■	■	■	▼			■	□	
Transformer Oil	■	▼	■	▼			■	■	■	■	■	■		□			
Tributyl Phosphate	■	▼															
Trichloroacetic Acid	■	■	▼				□	□									
Trichloroethylene	□	□	□	□	▼	▼	▼	□				□				▼	□
Tricresyl Phosphate	■	▼															
Trisodium Phosphate	■	■	■	■													
Turpentine	▼	□	■	□	■		■	■				▼			■	■	
Urea	■	■	■	■	■		■	■				■			■		
Vinegar	■	■	■	■	■	■	■	■	■	■	■	▼					
Wine	■	■	■	■	■	■	■	■	■	■	■	■					
Xylene	□	□	□	□	■	■	■	■				▼			▼	□	

Austria

Habasisit GmbH, Wien
Phone: +43 1 690 66
www.habasisit.at

Belgium

Habasisit Belgium N.V., Zaventem
Phone: +32 2 725 04 30
www.habasisit.be

Canada

Habasisit Canada Ltd., Oakville
Phone: +1 905 827 4131
www.habasisit.ca

China

Habasisit East Asia Ltd., Hong Kong
Phone: +852 2145 01 50
www.habasisit.com.hk

Habasisit (Shanghai) Co., Ltd.
Shanghai

Phone: +8621 5488 1228
Phone: +8621 5488 1218
www.habasisit.com.hk

Czech Republic

Habasisit Bohemia spol. s.r.o., Brno
Phone: +4205 41 421 651
www.habasisit.cz

France

Habasisit France S.A.S., Mulhouse
Phone: +33 389 33 89 03
www.habasisit.fr

Germany

Habasisit Rossi GmbH,
Eppertshausen
Phone: +49 6071 969 0
www.habasisitrossi.de

Hungary

Habasisit Hungária Kft., Esztergom
Phone: +36 33 510 610
www.habasisit.hu

India

Habasisit-lakoka Pvt. Ltd., Coimbatore
Phone: +91 422 262 78 79
www.habasisitlakoka.com

Italy

Habasisit Italiana SpA
Customer Care:
Phone: 199 199 333
For int. calls: +39 0438 911444
www.habasisit.it

Japan

Habasisit Nippon Co. Ltd., Yokohama
Phone: +81 45 476 03 71
www.habasisit.co.jp

Netherlands

Habasisit Netherlands BV, Nijkerk
Phone: +31 33 24 72 030
www.habasisit.nl

New Zealand

Habasisit Australasia Ltd., Hornby
Phone: +64 3348 5600
www.habasisit.co.nz

Norway

Habasisit Norge A/S, Oslo
Phone: +47 81 55 84 58
www.habasisit.no

Poland

Habasisit Polska Sp. zo.o.,
Dąbrowa Górnicza,
Phone: +48 32 639 02 40
www.habasisit.pl

Romania

Habasisit Import/Export Romania SRL,
Bucuresti, Phone: +40 21 323 95 65
www.habasisit.ro

Russia

OOO Habasisit Ltd., St. Petersburg
Phone: +7 812 365 64 62
www.habasisit.ru

Singapore

Habasisit Far East Pte. Ltd., Singapore
Phone: +65 6862 55 66
www.habasisit.com.sg

Spain

Habasisit Hispanica S.A.,
Barberà del Vallès
Phone: +34 93 719 19 12
www.habasisit.es

Sweden

Habasisit AB, Hindas
Phone: +46 301 226 00
www.habasisit.se

Switzerland

Habasisit Schweiz, Reinach
Phone: +41 61 715 15 75
www.habasisit.ch

Taiwan

Habasisit Rossi (Taiwan) Ltd.
Taipei Hsien
Phone: +886 2 2267 0538
www.habasisit.com.tw

Turkey

Habasisit Kayis San. Ve Tic. Ltd. Sti.
Yenibosna - Bahcelievler - Istanbul
Phone: +90-212-654 94 04
www.habasisit.com.tr

Ukraine

Habasisit Ukraina, Vinnica
Phone: +38 0432 58 47 35
www.habasisit.ua

United Kingdom and Ireland

Habasisit Rossi (UK) Ltd., Silsden
Phone: +44 870 835 9555
www.habasisitrossi.co.uk

USA

Habasisit America
Suwanee, Georgia
Phone: +1 800-458-6431
www.habasisitamerica.com

ROSSI GEARMOTORS

a partner of Habasisit, is one of Europe's largest industry groups for the production and sale of gear reducers, gearmotors, inverters, standard and brakemotors.

Rossi Motoriduttori

Via Emilia Ovest 915/A
41100 Modena - Italy
Phone: +39 059 33 02 88
www.rossi-group.com
info@rossi-group.com

Headquarters

Habasisit AG
Römerstrasse 1
CH-4153 Reinach, Switzerland
Phone +41 61 715 15 15
Fax +41 61 715 15 55
E-mail info@habasisit.com
www.habasisit.com

Registered trademarks
Copyright Habasisit AG
Subject to alterations
Printed in Switzerland
Publication data:
4178BRO.MOD-en0409HQR