



**WE CONVEY
SOLUTIONS**

SINCE 1978

- Modular belts
- Conveyor chains
- Drum motors
- Conveyor accessories
- Hose assemblies
- Industrial products

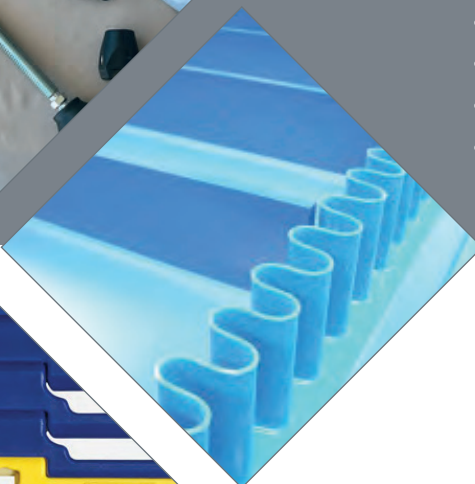
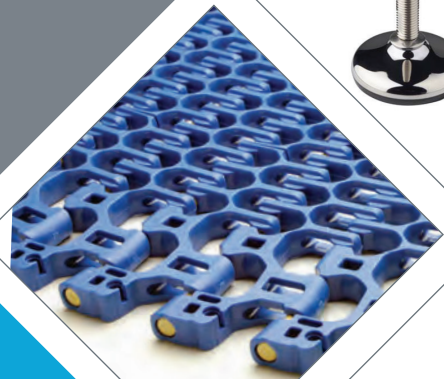
www.crsvamic.ca

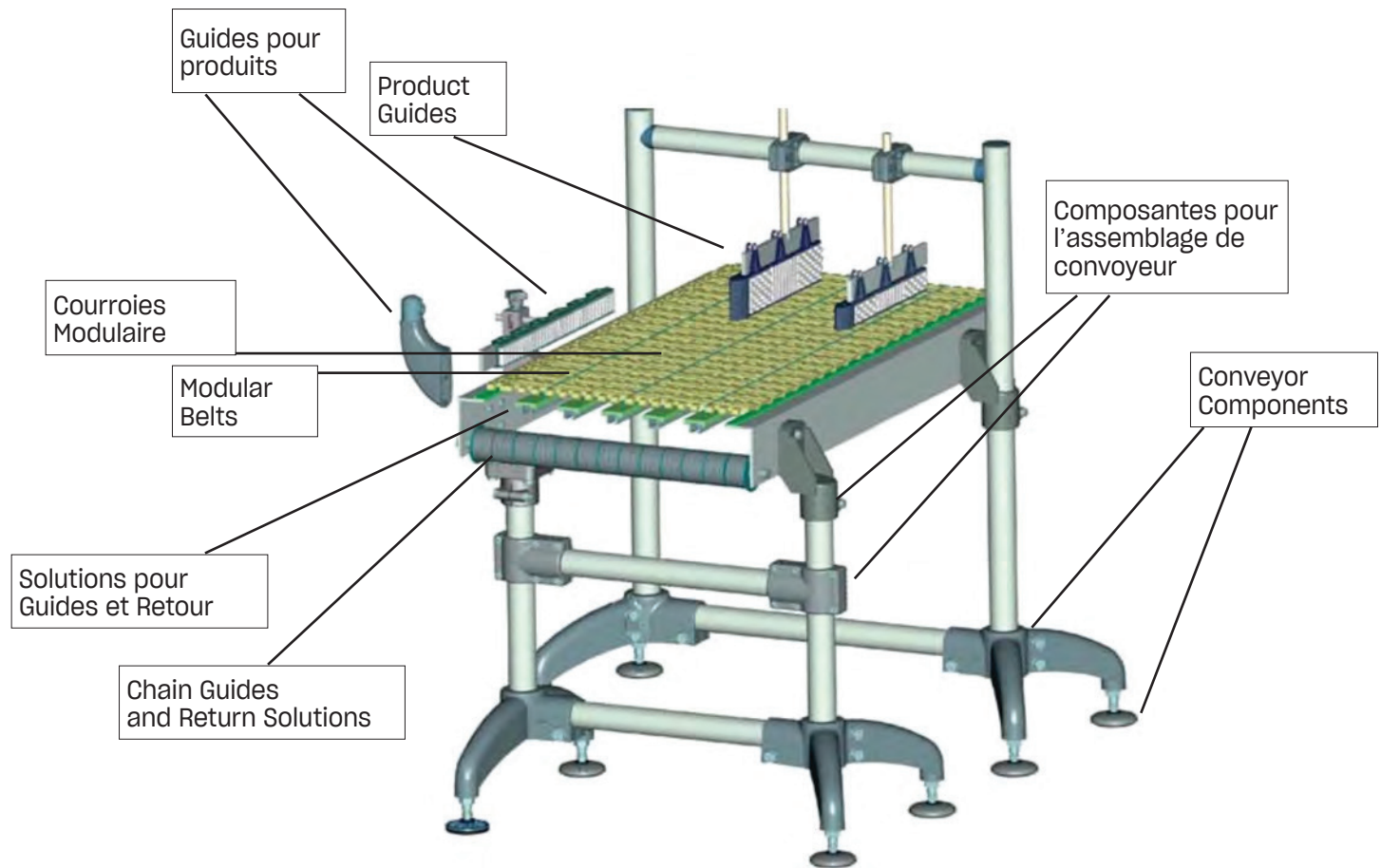


Media 2023

Media 2023

CRS / VAMIC INC





Important

Toutes les mesures indiquées dans ce catalogue sont en format impérial à moins d'avis contraire.

Les dimensions sont nominales et sont assujetties aux tolérances du manufacturier.

Communiquez avec CRS/VAMIC pour obtenir les dessins CAD des composantes, ou visitez www.crsvamic.ca

Contact CRS/VAMIC to obtain CAD drawings of components, or go to www.crsvamic.ca

Important


Inside this catalog you will find measurements in imperial dimensions unless otherwise stated.

All dimensions listed are nominal and are subject to manufacturer tolerances.

Established in 1978, CRS VAMIC is the sole Canadian stocking assembler of HABASITLINK® and KVP® modular belt.

CRS VAMIC is the exclusive Canadian distributor of MARBETT S.r.L. conveyor components. Since its inception in 1968, Marbett S.r.L. has strived to supply its customers worldwide with innovative and unique conveyor solutions.

In 2015, CRS VAMIC became the official Van der Graaf drum motor distributor for Canada. These high quality drums offer an exceptional return on investment while reducing electricity consumption cost, cleaning time and water. Additionally, all components of the drum motor are housed internally within the drive shell, eliminating safety hazards and increasing operator safety. Constructed to match multiple types of conveyor belts, they are an ideal replacement for motors and reducers which are frequently cumbersome.

CRS VAMIC has achieved  certification from Saint-Gobain performance plastics for its innovative Re-Seal and Perma-Crimp sanitary hose assemblies. 3A certification of these highly sanitary products permits CRS VAMIC to be an incomparable source of supply for the food, beverage, cosmetic and pharmaceutical industries.

For over 40 years, CRS VAMIC has supplied high quality products at competitive prices while providing an unprecedented level of customer service.



CONTACT US:

CRS VAMIC

235 avenue Liberté Candiac, Quebec, J5R 3X8

Tel: (450) 638-5541 • Toll free: (800) 895-5548

Fax: (450) 638-5926

E-mail: info@crsvamic.ca Web: www.crsvamic.ca

Contents

Product Guides and Supports

Guide Rail	6-7
Wearstrips	
Chain Support	8
Clip-On	9
J-Leg	10
Available extrusions	11-13
Scraper	14

Accessories

Clamps for Guide Rail	15-17
Safety Caps	18
Photocell Accessories	19
Adjustable Rods	20
Split Shaft Collars	21
Cross Blocks	22
Components Assembly	23
Side Mounting Brackets	24, 25
Adjustable Head	26, 27
Spacers	28
Hinges & Pull Handles	29
Ratchet Handles & Hand Knobs	30, 31
Handwheels & Crank Handles	32, 33
Position Indicators	34, 35
Other Component	36, 37
Return Rollers	38, 39
Chain Return Rollers	40, 41
Chain Return Shoe	41
Modular Transfer Roller Plates	42, 43
Roller Guide	44, 45
Nose Bar & Accessories	46

Frame Support Components

Side Mounts & Support Heads	47
Bipods, Tripods & Support Bases	48
Threaded Tube Ends & Tube	49, 50
Leveling Pads	51-55
Hygienic Leveling Pads	56-58



Your Canadian Business Partner



Conveyor belting

Modular assemblies
Tabletop chain
Polyurethane
Fabric

Motorized pulleys

Sanitary
Maintenance Free
96% efficiency
Compact design

Conveyor components

Guide rail/Wear strip
Levelling feet
Sanitary bearings
Corner tracks

Sanitary hose

3A certified
Perma fittings
Reusable fittings
Tubing

WE CONVEY SOLUTIONS



1-800-895-5548

235 Av. Liberté, Candiac (Québec) Canada J5R 3X8
Tél : 450-638-5541 • Fax : 450-638-5926
Web : www.crsvamic.ca • E-mail : info@crsvamic.ca



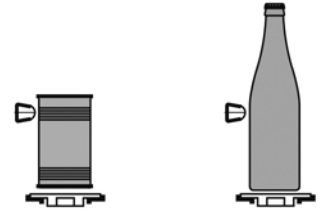
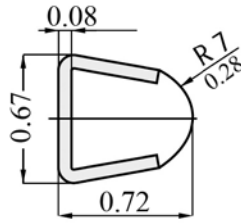
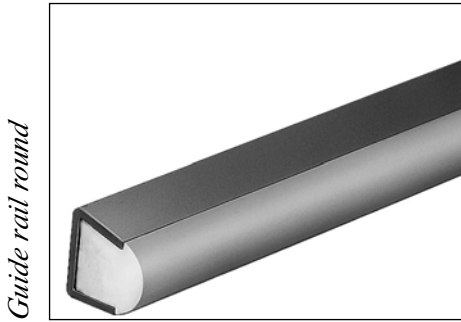
Cartes de crédit majeures acceptées
Major credit cards accepted

Contents

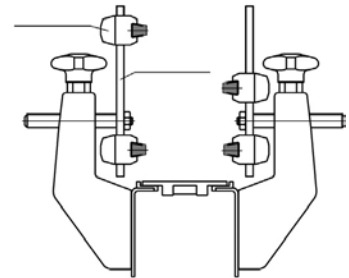
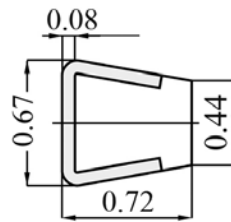
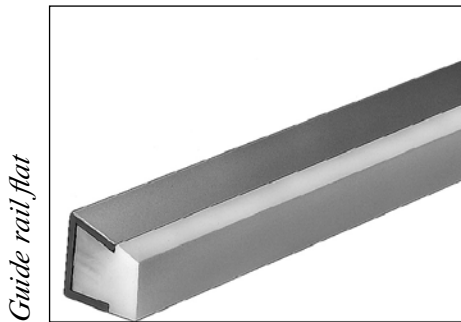
Wheels and Castors Mounted Bearings	59
2 Bolt Flange	60, 61
3 Bolt Flange	62, 63
4 Bolt Flange	64, 65
Corrosion Resistant	66
Van der Graaf	67, 68
Saniclip	69, 70
Modular belt	71-77
Conveyor chains	
Case Chain	78, 79
Special Application Chain	80
Chains	81, 82
Drive Sprockets	83, 84
Idlers & Multi Hubs	85, 86
Corner Tracks	87, 88
PVC Rollers	89-91
Roller Accessories	92
Sanitary Hose Assemblies	93-96
Numerical Index	97-98

Product Guides & Supports

CVR-10



CVR-12

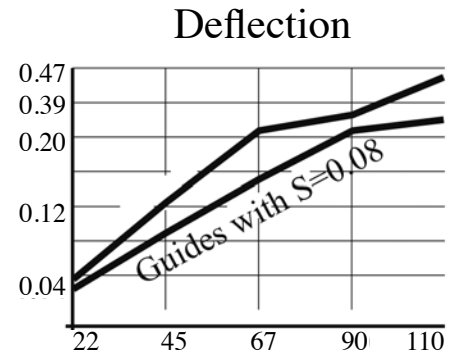
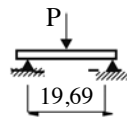


Standard length is 10 feet

Tolerance: +/- 0.030
Min. bend radius: 5.71"

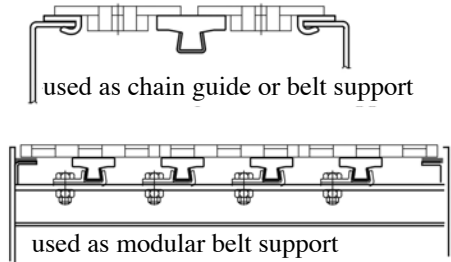
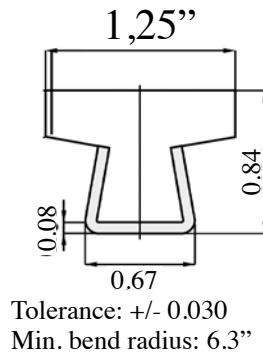
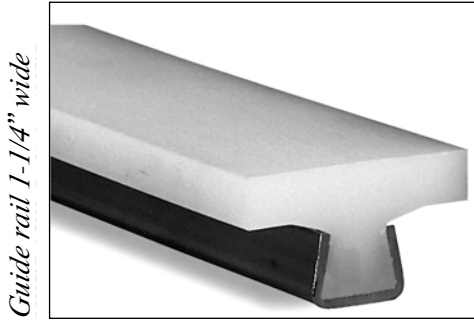
Guide rails are made with stainless steel AISI304 with white UHMWPE extruded inserts.

Load P (pounds)

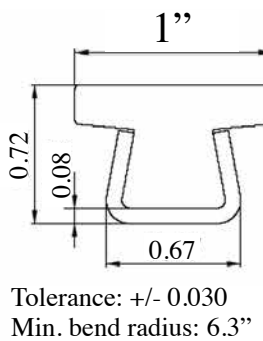


Product Guides & Supports – Large Flat Top Style

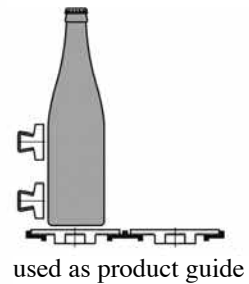
CVR-16



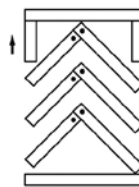
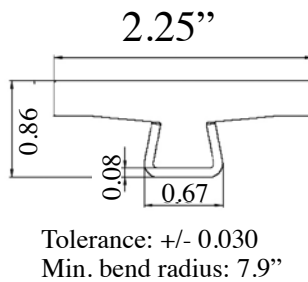
CVR-23



Narrow Profile



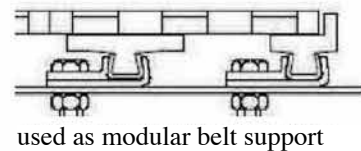
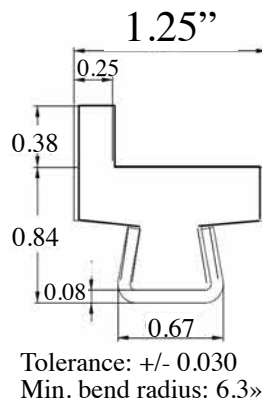
CVR-37



CHEVRON pattern is recommended for heavy loads (accumulation tables, etc...).

Chain wear is evenly distributed throughout the width.

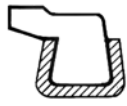
CVR-55S



Note: The height offered on product CVR-55S matches height of products CVR16 and CVR37. Standard length is 10 feet

Product Guides & Supports

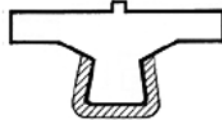
Other styles available on request, please contact us for more information.



CVR-13S



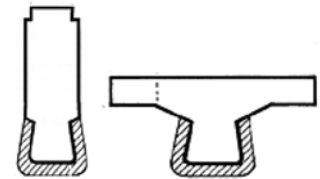
CVR-29S



CVR-1.7RIB



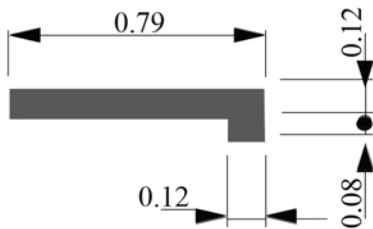
CVR-17S



Other styles available

Wear Strips for Conveyor Belts, Chains, and Product Supports

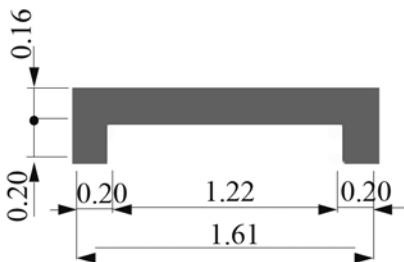
243-63701



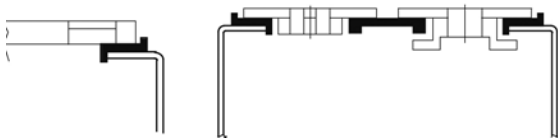
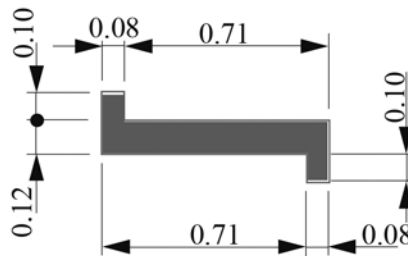
Chain guide profile
Green uhmw

Standard length: 3 meters

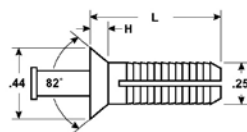
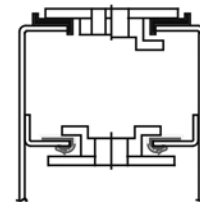
362-694331



241-63641

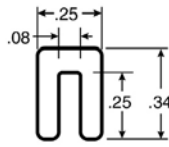
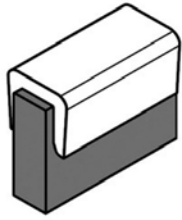


Chain Guides can be used in chain applications for carryway support and return of straight sections.

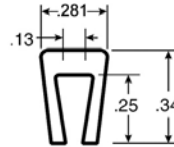


Plastic rivets can be used to assemble wearstrips. See page 11 for details

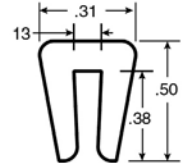
Bar Cap Clip-On



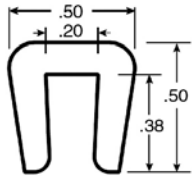
1/16"
CV-390



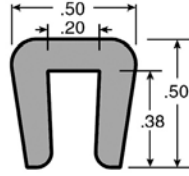
1/8"
CV-391



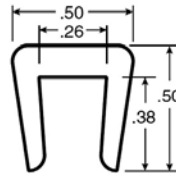
1/8"
CV-391D



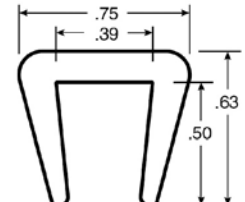
3/16"
CV-396



3/16"
CV-298PL
*Grey oil filled UH



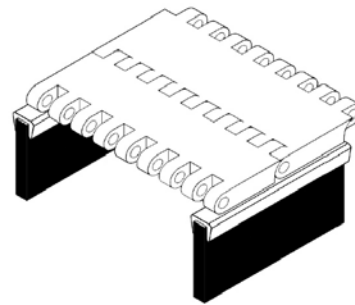
1/4"
CV-392



3/8"
CV-394

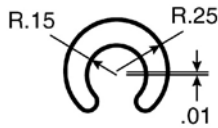
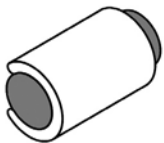
Standard material is white UHMW supplied in lengths or coils

Modular belt supports are available to fit different thickness of conveyor frames.

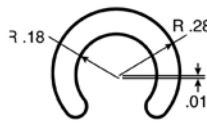


Full & Half Round Bar Caps

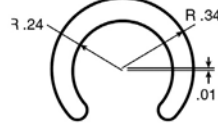
Full Round Bar Cap (Rod covering)
Supplied in lengths or coils of white UHMW



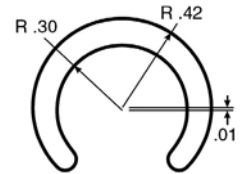
5/16"
CV-508



3/8"
CV-370

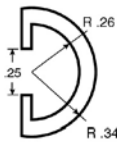
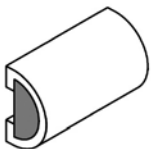


1/2"
CV-371

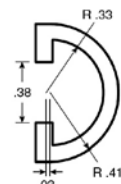


5/8"
CV-372

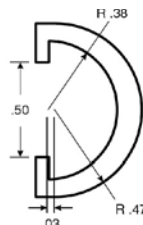
Half Round Bar Cap (Rod covering)
Supplied in lengths or coils of white UHMW



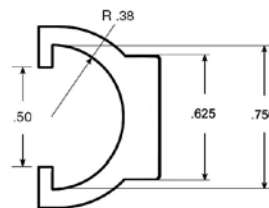
1/2"
CV-364



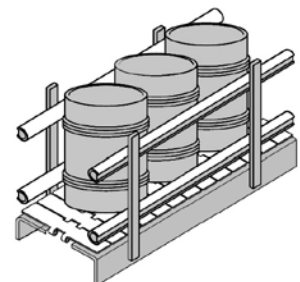
5/8"
CV-365



3/4"
CV-366

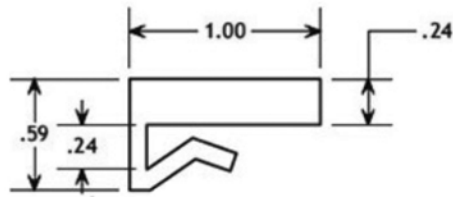
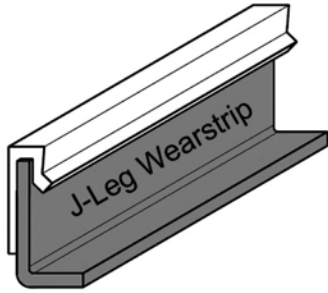


3/4"
CV-367

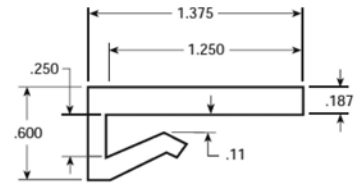


J-Leg Clip-On Wear Strips

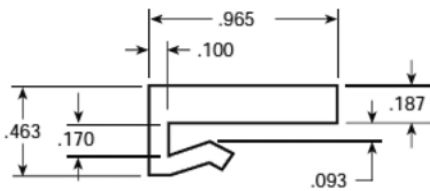
Standard material is white uhmw supplied in coils or lengths.



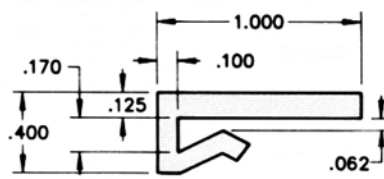
CV-410T



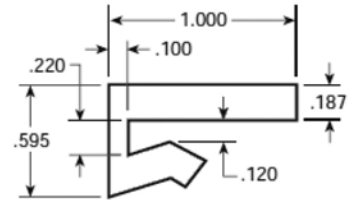
CV-420T



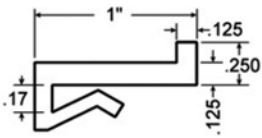
CV-412



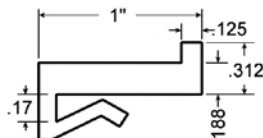
CV-410



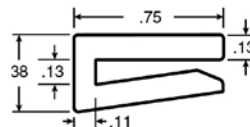
CV-415



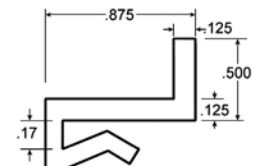
CV-411-1



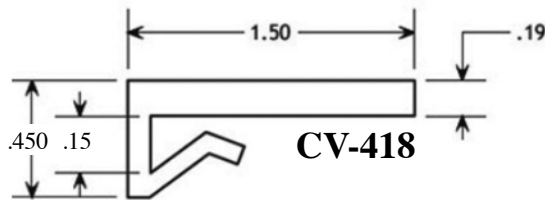
CV-413



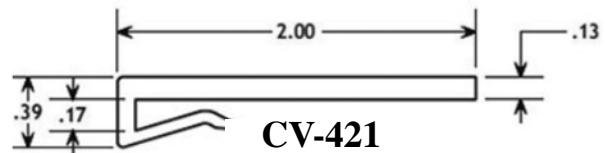
CV-861



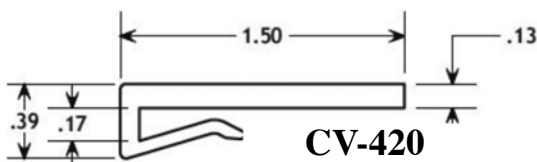
CV-423



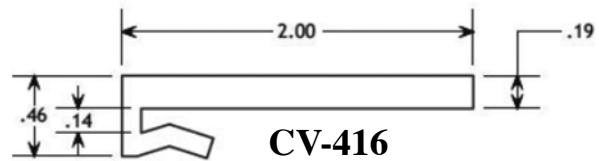
CV-418



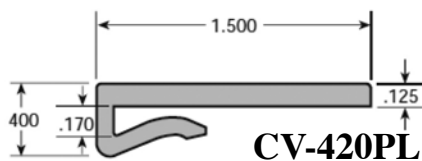
CV-421



CV-420

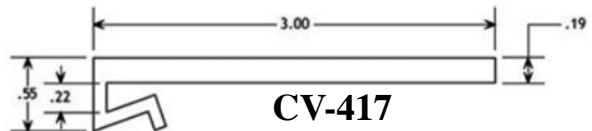


CV-416



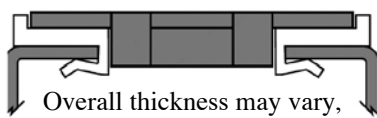
CV-420PL

*Grey oil filled UHMW

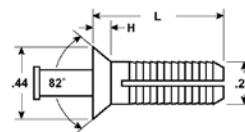


CV-417

J-leg clip-on wearstrips can be used in chain guide applications, product guides or modular belt wear prevention.



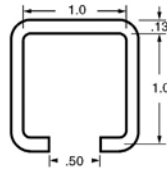
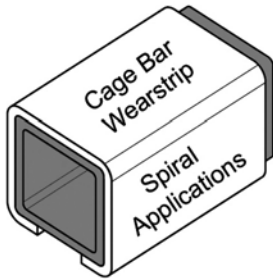
Overall thickness may vary, to be verified at time of order



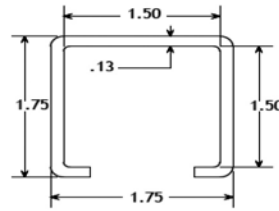
Plastic rivets can be used to assemble wearstrips

Cage Bars

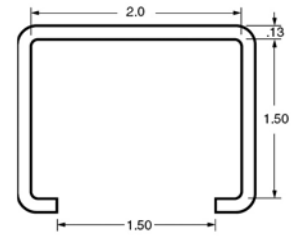
Standard material is white uhmw (custom lengths are available, contact us for details)



1" X 1"
CV-384



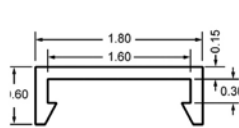
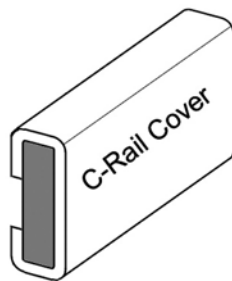
1-1/2" X 1-1/2"
CV-376



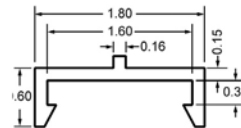
1-1/2" X 2"
CV-387

C Rail Covers

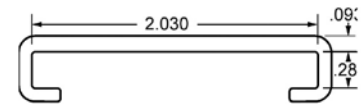
Standard material is white uhmw (custom lengths are available, contact us for details)



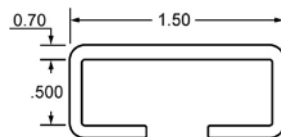
1/4" X 1-1/2"
CV-431



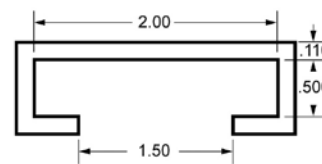
1/4" X 1-1/2"
CV-430



1/4" X 2"
CV-381



1/2" X 1-1/2"
CV-380

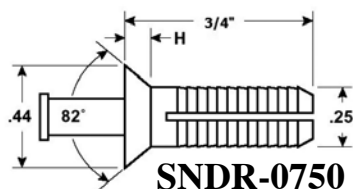
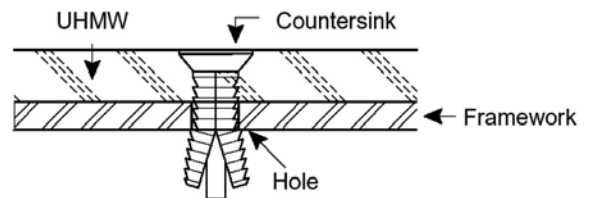


1/2" X 2"
CV-386

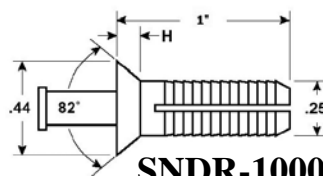
Rivets

Plastic Rivets

Excellent for flat wearstrips and extrusions

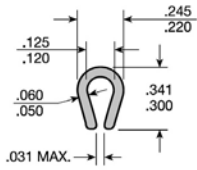


SNDR-0750

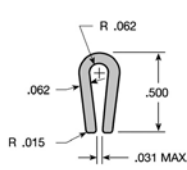


SNDR-1000

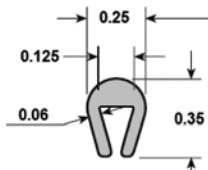
Nylon MD Extrusions



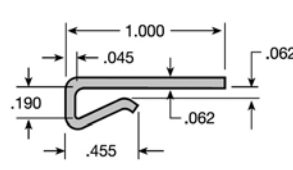
CV-101



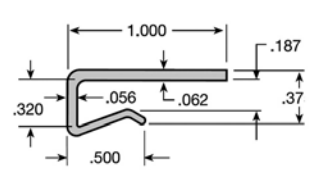
CV-106



CV-12234-1



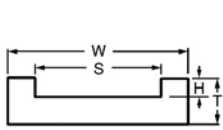
CV-226



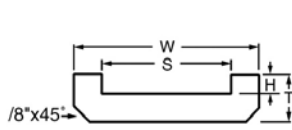
CV-242

Chain Guides

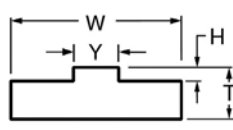
Supplied in white UHMW or other materials in lengths of 10 feet.



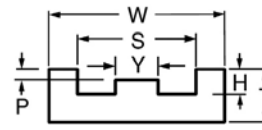
Type 1



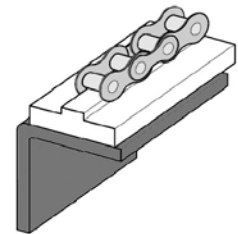
Type 2



Type 5



Type 7

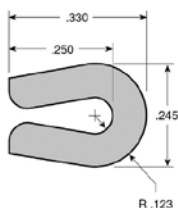


Chain #	Type	T	W	H	S	P	Y
2040	1 & 2	5/16	1-1/4	1/8	7/8	-	-
	5	5/16	1	.080	-	-	1/4
	7	5/16	1	.140	11/16	.080	1/4
2050	1 & 2	3/8	1-1/4	5/32	1	-	-
	5	5/16	1-1/4	.100	-	-	5/16
	7	3/8	1-1/4	3/16	13/16	.100	5/16
2060	1 & 2	3/8	1-1/2	3/16	1-1/4	-	-
	5	5/16	1-1/4	.115	-	-	7/16
	7	1/2	1-1/2	.213	1-1/8	.115	7/16
2080	1 & 2	1/2	2	1/4	1-9/16	-	-
	5	3/8	1-1/2	.130	-	-	9/16
	7	1/2	2	1/4	1-7/16	.130	9/16

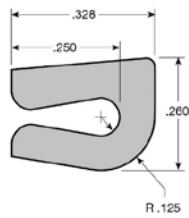
On request

Air Conveyor Neck Guides

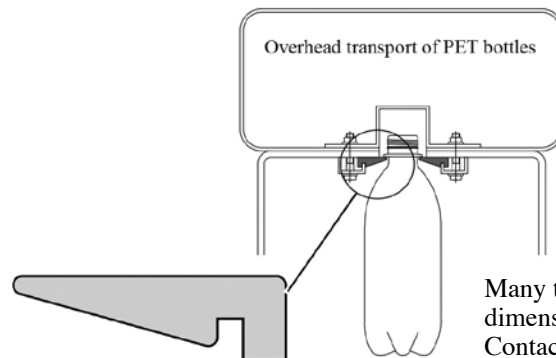
Supplied in black glass filled UHMW
On request



CV-299PL



CV-300

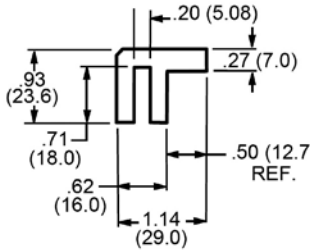


Many types, styles, and dimensions available. Contact us for details.

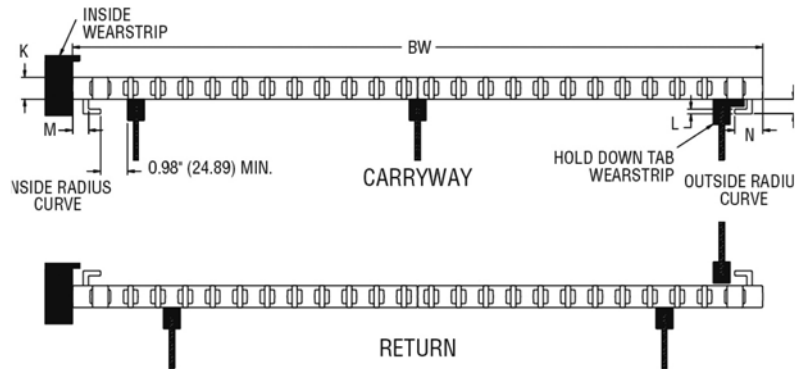
Modular Belt Specific Wear Strips

Standard material is grey oil filled uhmw, supplied in 10' or 20' lengths

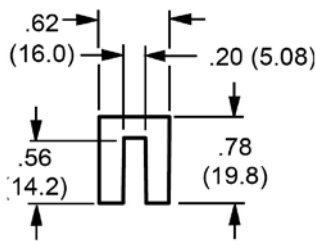
10158-PL-IS



Application Example



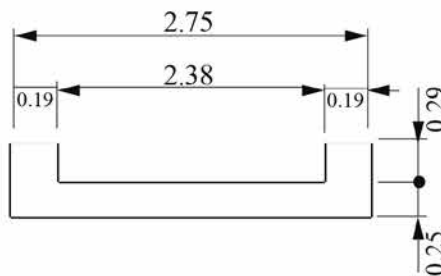
10158-PL



Chain Specific Wear Strips

Standard material is white uhmw, supplied in 10' lengths

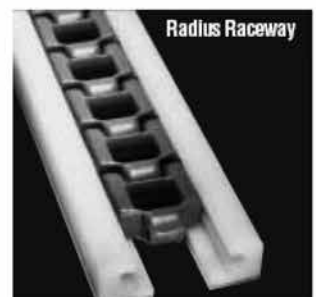
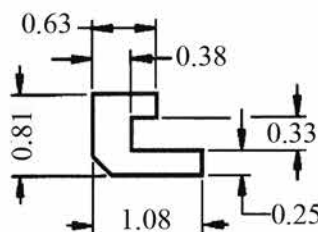
N92000S



Application Example



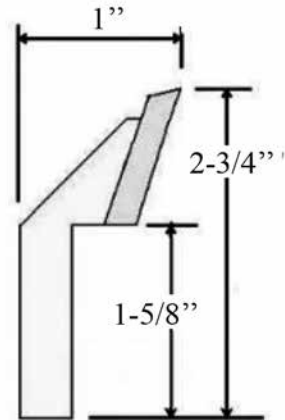
N92000R



Dual Durometer Belt Scraper

CV-MTDD-MD

Reduce Product Loss!



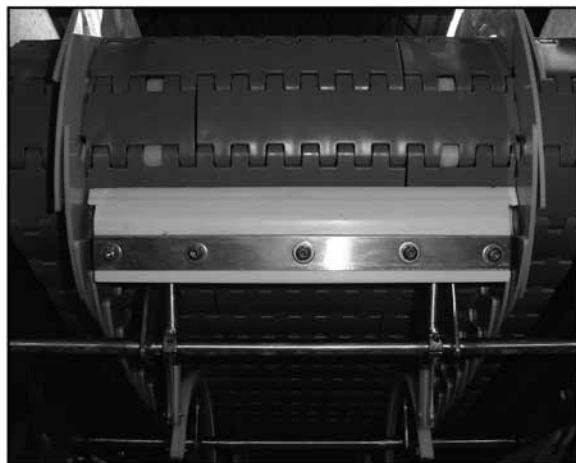
Product Specification

- METAL DETECTABLE
- Blue
- Dual Durometer scraper has a co-extruded rigid base for mounting.
- Soft flexible tip all in one piece!
- The larger base allows for direct mounting to cross supports and frames.
- Maximum operating temperature: 180°F
- Soft Tip is made in «Solid Ultra TPU»
- Rigid Base is made with FDA approved PVC compound
- Dual Durometer scraper sold in 8 ft lengths

Application Example



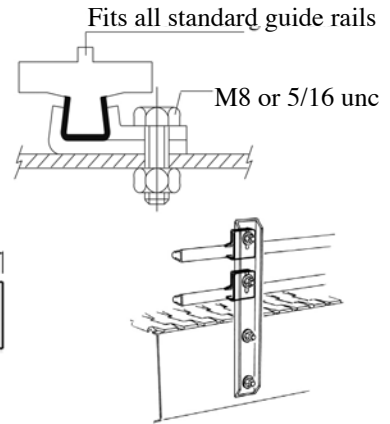
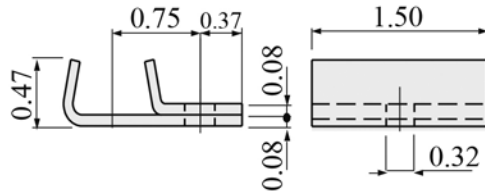
The soft scraper blade is shown here pressed against a curved-top modular belt.



The scraper can be installed as illustrated under the conveyor onto the existing conveyor frame.

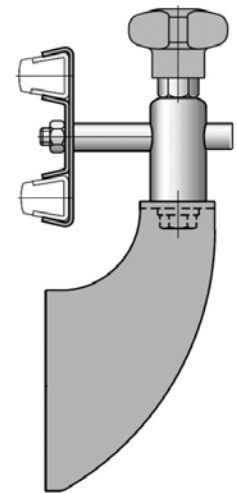
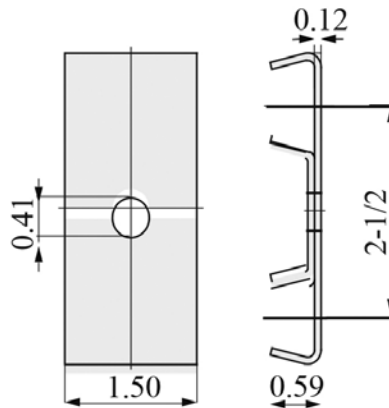
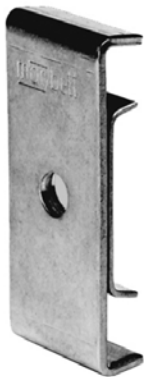
Rail Clamps

215-65976



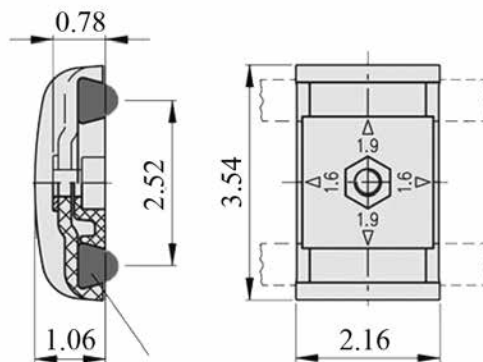
Single Rail Clamp in Stainless Steel 304

217-695131



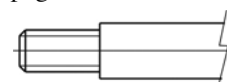
Double Rail Clamp in Stainless Steel 304

213-61261



AISI 304 stainless steel washers include.
Housings for standard trapezoidal guides with housing for clamping nut (M10).

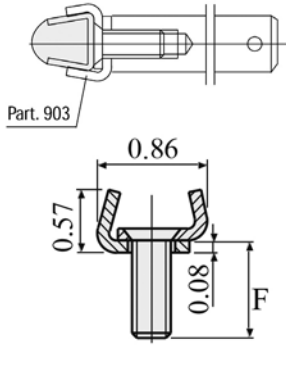
See page 20 for rod dimensions



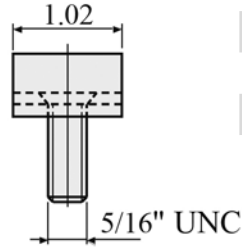
Double rail clamp in polyamide

Rail Clamps

903-

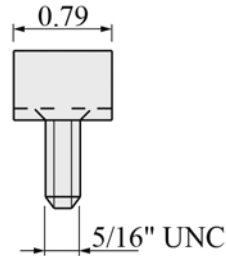
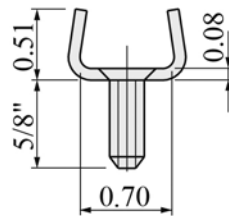
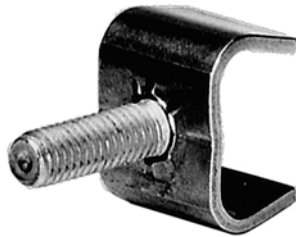


Two Piece Single Rail Clamp in Stainless Steel



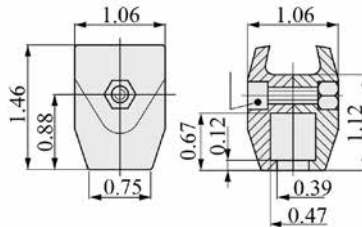
Part #	F
903-652071	5/8"
903-654101	3/4"
903-654111	1"
903-654121	1-1/4"

216-60132



Single Rail Clamp in Stainless Steel

210-600372

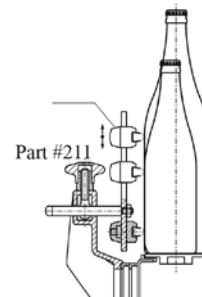
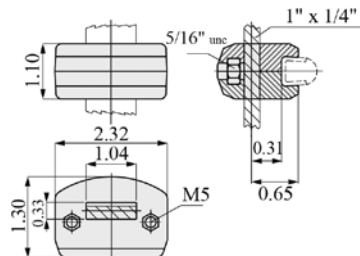


For rod specifications see page 20



Rod end clamp for guide rail is supplied in polyamide with stainless steel hardware. (fits guide rail with «S» = 0.06" or 0.08")

211-691201

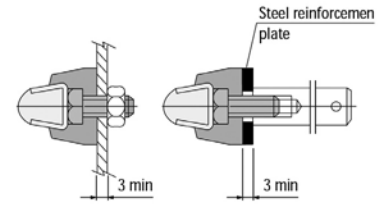
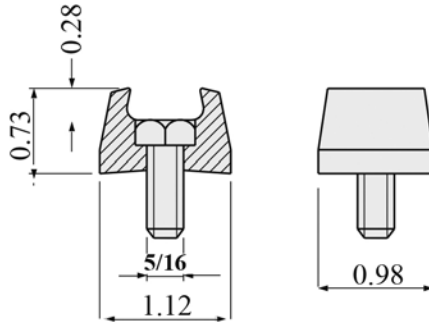


Assembly of guide rail clamp 211 allows unlimited height adjustment

Supplied in polyamide with stainless steel hardware

Compression Clamps

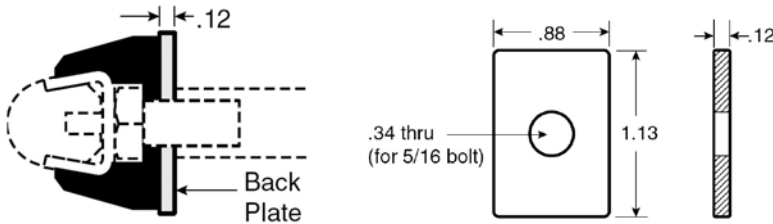
275



Part #	Material
275-664151	Polyamide
275-AL	Aluminum

Compression clamps for guide rail.
Available in plastic or aluminum (Fasteners not included)

Back Plate 275-BP

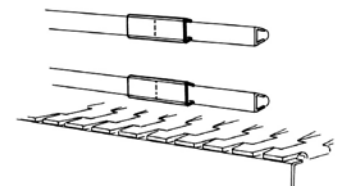
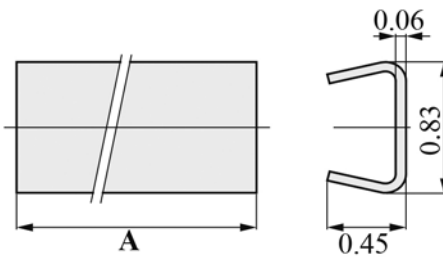


Backplate in stainless steel AISI 304, for compression clamp series 275.

Splice Sleeves

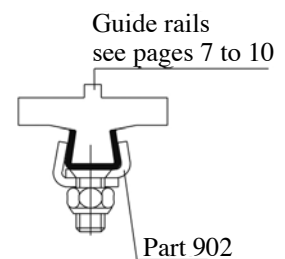
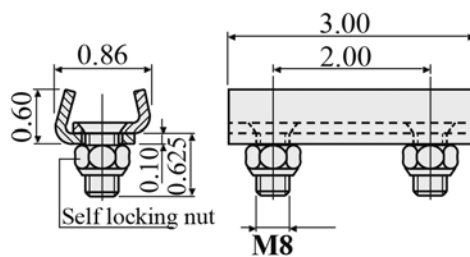
ViseSplice™ sleeve for guide rail, supplied in stainless steel AISI 304

214-



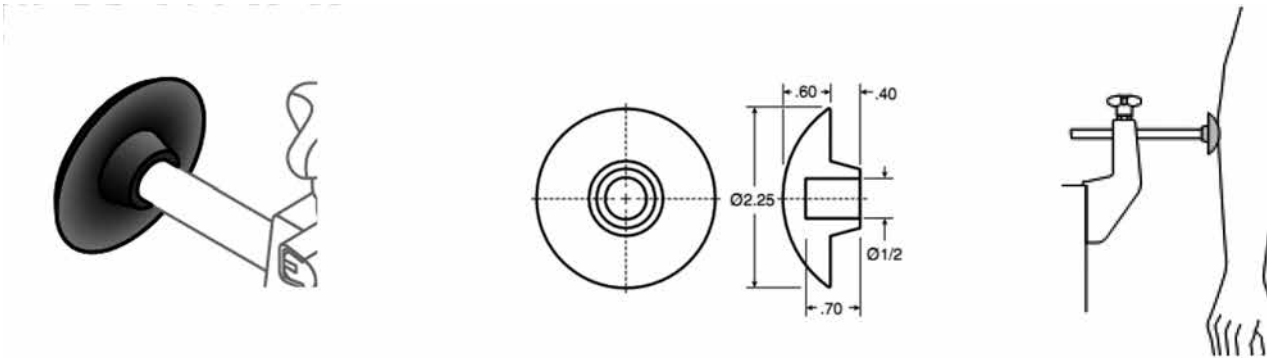
Part #	A
214-60111	2"
214-60113	3"

902-656041



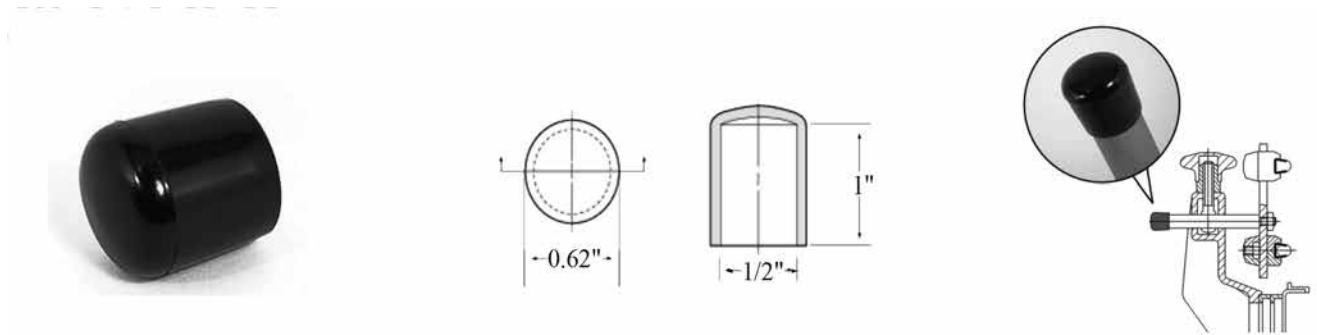
Safety Caps

020-M-CAP-B



Mushroom end caps applied in black rubber

020-CAP-B



Black vinyl end cap

SQR



Code	Dimensions	Gauge
SQR101420	1" x 1" x 1/16"	14-20
SQR1511	1-1/2" x 1-1/2" x 1/8"	11
SQR151420	1-1/2" x 1-1/2" x 1/16"	14-20
SQR2011	2" x 2" x 1/8"	11

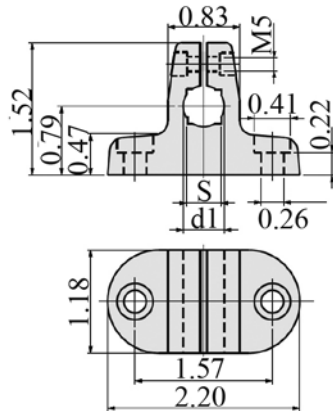


Plastic end cap for stainless steel square tube

Photocell Accessories

Black polyamide with stainless steel hardware

339-



Code	Round d1	Square S
339-611063	1/2"	7/16"
339-68363	10mm	8mm
339-68375	12mm	10mm

Side mounting clamp

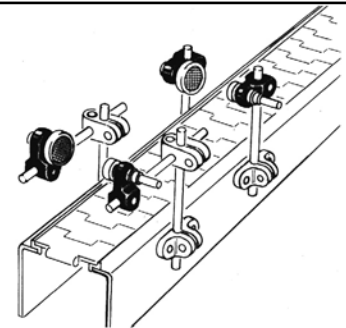
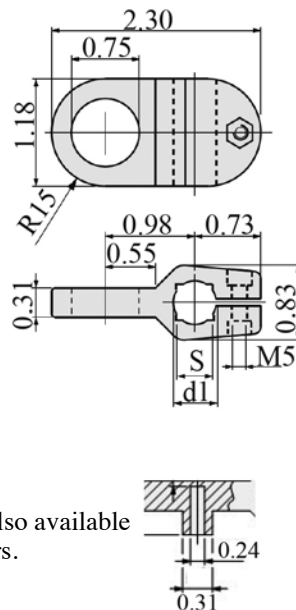
341-



Clamp for photocell or sensor



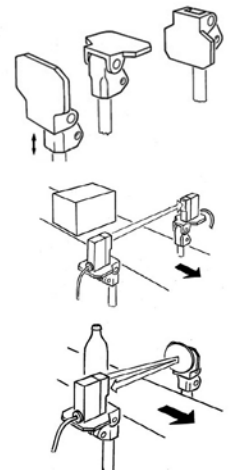
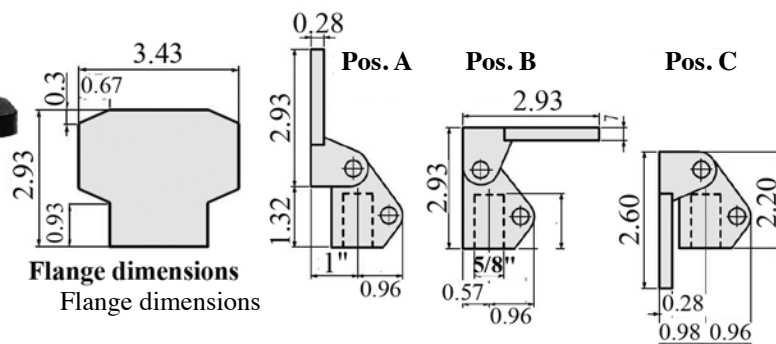
Clamp **341C-67215** also available for «clip-on» reflectors.



Code	Round d1	Square S
341-611073	1/2"	7/16"
341-68383	10mm	8mm
341-68395	12mm	10mm
341C-67215	10mm	8mm

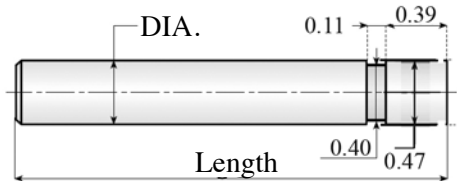
372-61806

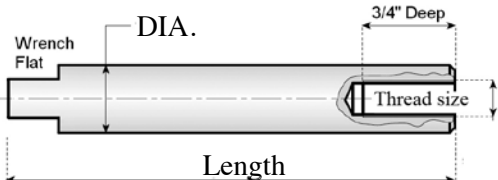
Mounting A - B - C

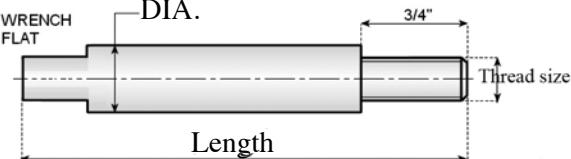


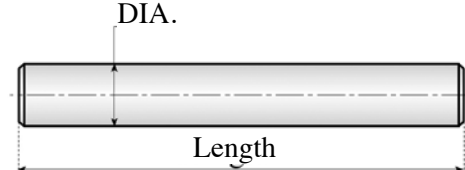
Photocell holder in black polyamide can also be used to install reflectors.

Stainless Steel Adjustable Rods

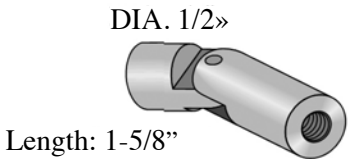
A 	Code	Description
	020R3MB	1/2" x 3" c/w groove
	020R5MB	1/2" x 5" c/w groove
	020R8MB	1/2" x 8" c/w groove
	020R10MB	1/2" x 10" c/w groove

B 	Code	Description
	212-3-516	1/2" x 3" c/w 5/16" unc tapped thread
	212-5-516	1/2" x 5" c/w 5/16" unc tapped thread
	212-8-516	1/2" x 8" c/w 5/16" unc tapped thread
	212-5-38	1/2" x 5" c/w 3/8" unc tapped thread

C 	Code	Description
	212-5-38M	1/2" x 5" c/w 3/8" unc male thread

D 	Code	Description
	020R5	1/2" x 5" plain
	020R8	1/2" x 8" plain
	020R10	1/2" x 10" plain
	020R12	1/2" x 12" plain

E 	Code	Description
	212-5-516J	1/2" x 5" with pivot head threaded 5/16

	Code	Description
	212-JA-516	1/2" x 1-5/8" c/w 5/16 unc male thread
	212JA516MB	1/2" x 1-5/8" c/w 5/16 unc male thread with MB groove on one end for clamp 210

Laser-numbered rods available on request

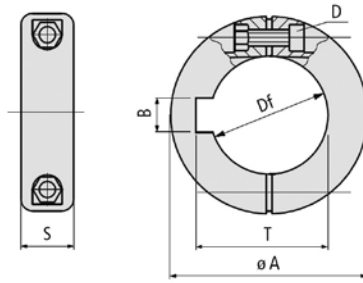


Material: S.S. 303
Diameter: 1/2" standard, 5/8" available on request
Standard lengths: 3", 5", 8", 10", 12"
**Custom lengths available upon request*
Groove orr Thread (5/16", 3/8", 3/8" unc male)

Code	Description
2125516LN	1/2" x 5" with pivot head threaded 5/16
Rod type	Can be used with clamp #
A	210
B - E	215, 217, 903, 216, 275
C	217, 213
D	Plain rod to be used with cross blocks and photocell components

Split Shaft Collars

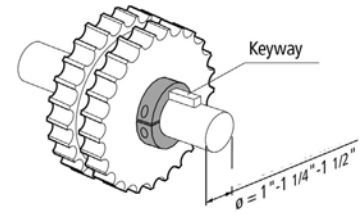
Round Bore



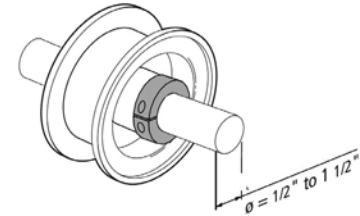
Split shaft collar supplied in black polyamide with stainless steel hardware.

Code	Df	A	B	D	S	T
612-655072	1/2	1.18	-	M4	0.46	-
612-655102	3/4	1.57	-	M4	0.55	-
612-608453	1	1.77	-	M4	0.55	-
612-655112	1	1.77	0.25	M4	0.55	1.13
612-608463	1-1/4	1.97	-	M4	0.63	-
612-655122	1-1/4	1.97	0.25	M4	0.63	1.38
612-611283	1-1/2	2.50	-	M5	0.71	-
612-655132	1-1/2	2.50	0.38	M5	0.71	1.68

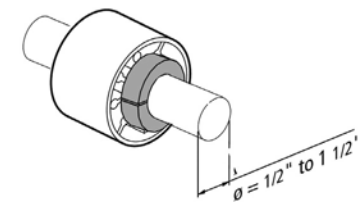
- With sprockets



- With idler wheels



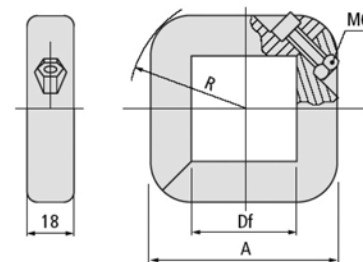
- With rollers



Maximum recommended tightening torque is: 26 in lb

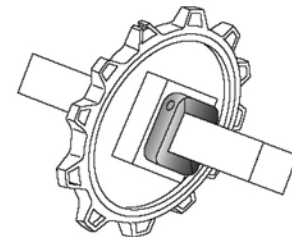
Smaller sizes of 1/2 and 3/4 are supplied without keyway. Keyway is optional on sizes 1", 1-1/4" and 1-1/2".

Square Bore



Split shaft collar for square shafts are supplied in with stainless steel hardware

Perfect solution for sexuring modular belt sprockets in place



Code	Material	Df	A	R
612-692942 *	Black polyamide	1-1/2	2.83	1.73
612-692972 **	Black polyamide	2-1/2	3.74	2.28

Version in reinforced Polypropylene **PP FV** gives better resistance against chemical agents and high temperatures.

Maximum recommended tightening torque is: 26 in lb

Not suitable for certain sprocket diameters.

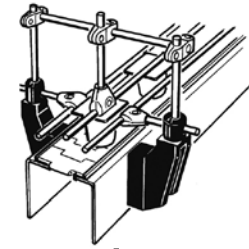
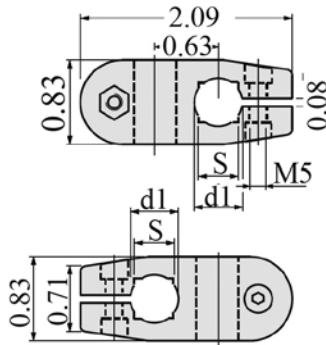
*This collar works with a minimum pitch diameter sprocket of 4.2"

** This collar works with a minimum pitch diameter sprocket of 6.5"

Cross Block

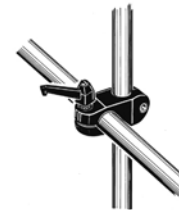
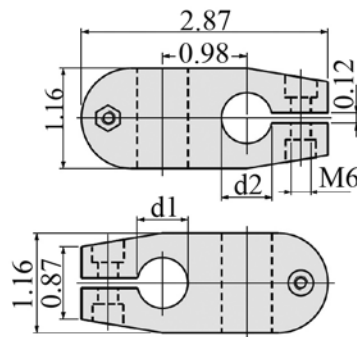
Black polyamide with stainless steel hardware

Mini Cross Block 340-



Code	Round d1	Square S
340-68373	10mm	8mm
340-68385	12mm	10mm

Standard Cross Block 174-

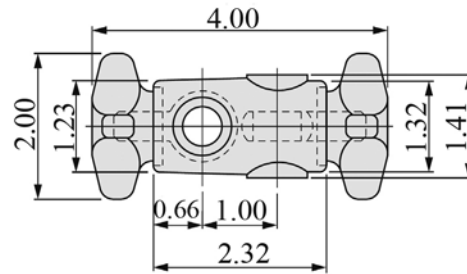


Ratchet handle 303-60922 is a perfect match for cross block 174. See page 30 for details.

Code	d1xd2
174-646481	1/2" x 1/2"
174-646471	1/2" x 5/8"
174-646461	5/8" x 5/8"

Cross Block with Ergonomic Handles 732-

732-



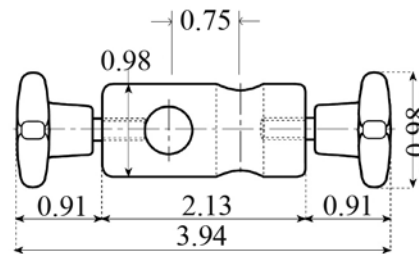
Cross block clamp designed to connect two round rods at 90°. Easily Adjustable.

Code	Rod size
732-692352	1/2" x 1/2"
732-692362	1/2" x 5/8"
732-692372	5/8" x 5/8"

Saves time when frequent adjustments are necessary

Mini Cross Block with Handles 732-MINI-13182

732-MINI-13182



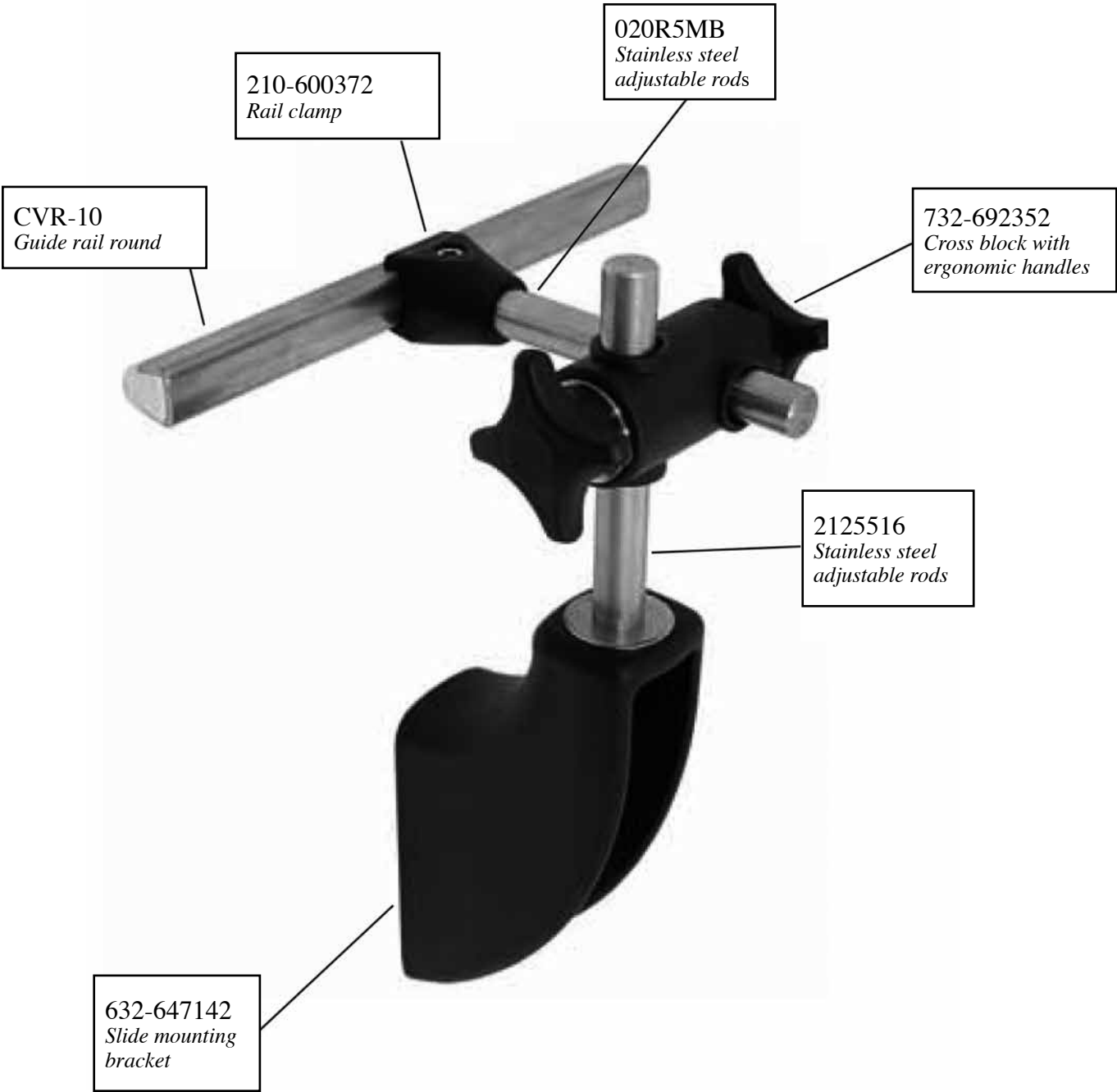
Light duty cross block clamp designed to connect two 1/2" round rods at 90°.

Distance between rods is 3/4" center to center.

Code	Rod size
732-MINI-13182	1/2" x 1/2"

Saves time when frequent adjustments are necessary

Components Assembly



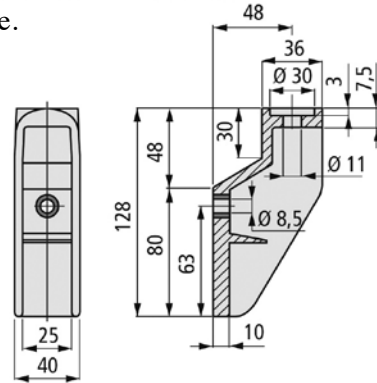
Side Mounting Brackets

Side mounting brackets are supplied in black reinforced polyamide.

648-653112



Small version

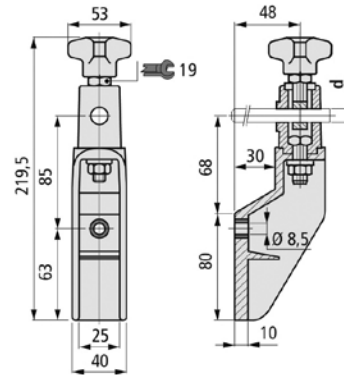


Metric dimensions shown

652-653872

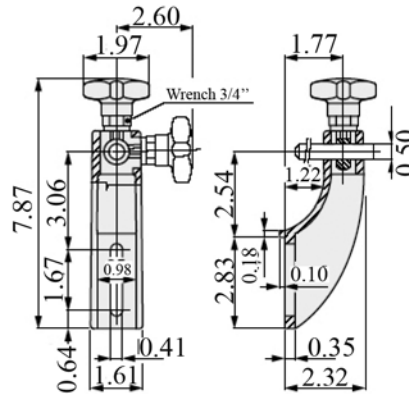


Small version



Metric dimensions shown

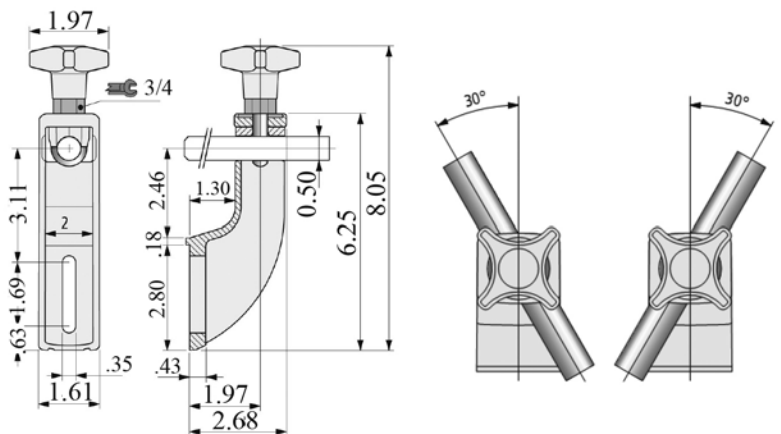
107-68200N



107S-643523

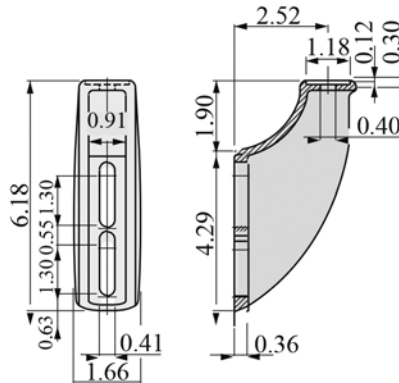


Pivoting

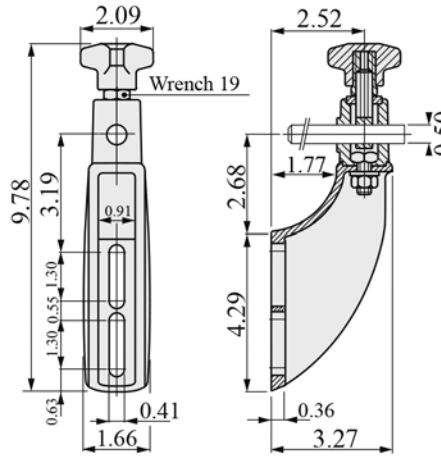


Side Mounting Brackets

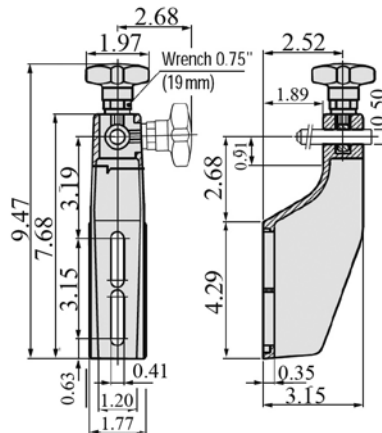
632-647142



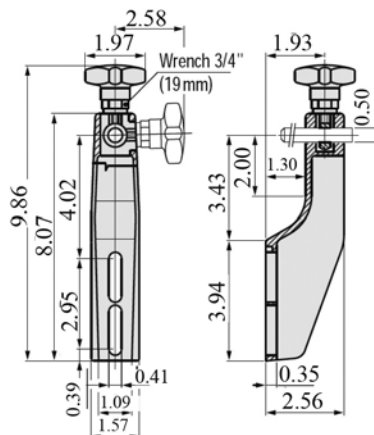
637-648372



599-613572



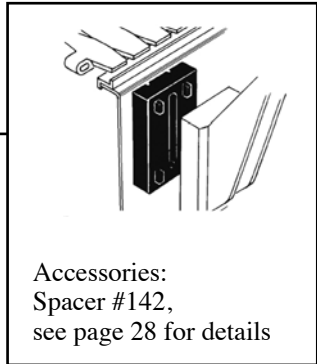
617-613562



Side mounting brackets are supplied for 1/2" round shafts.

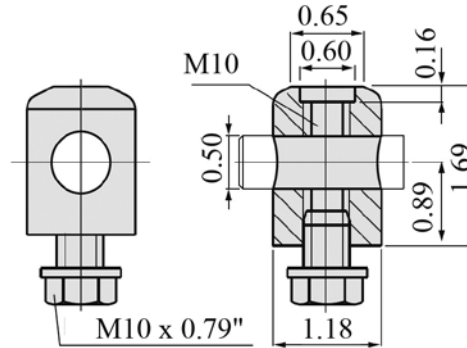
Material: knob in reinforced polyamide, hexagonal insert (for 3/4" wrench) in nickel plated brass, washer and eyebolt in stainless AISI 304.

Base is supplied in black reinforced polyamide.



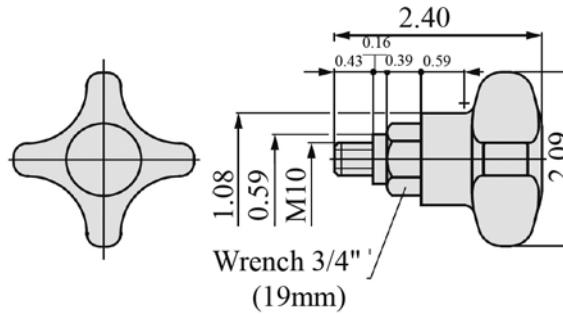
Adjustable Head

192-608683



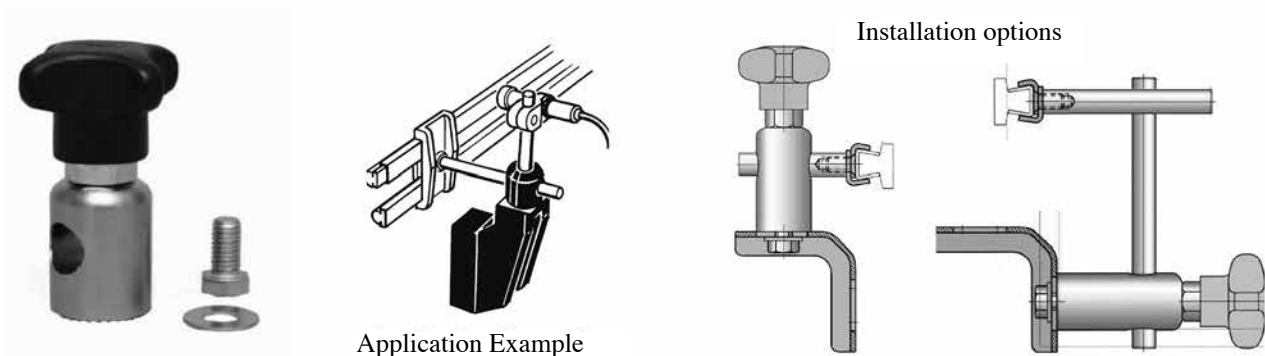
Supplied in stainless steel AISI 303, with stainless steel hardware. Bored to fit 1/2" rods.
Can be used with knob 185-53081.
Can be installed on top of bracket 632-647142 or 648-653112.

185-53081



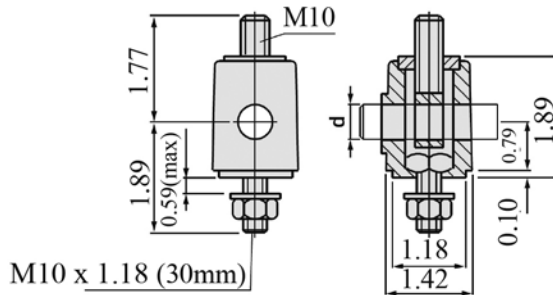
Supplied in black polyamide with spindle in nickel plated brass.
Can be used with head #192.

Parts 192-608682 and 185-53081 shown



Adjustable Head

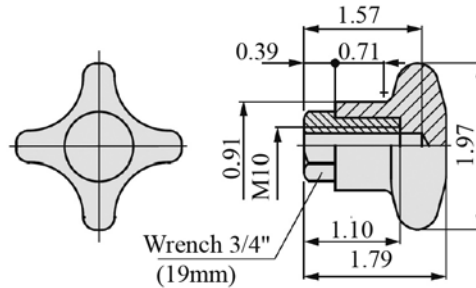
256-



Code	D
256-64561	1/2"
256-64581	5/8"

Supplied in black polyamide with stainless steel hardware.
Can be installed on top of bracket 632-647142 or 648-653112.

182-54911



Supplied in black polyamide with nickel plated brass insert.
Can be used with head #256.

ACCESSORIES

Washer 64184



Stainless Steel, fits base
bracket or swivel head.

Eyebolt 65624



1/2" bore, M10 thread,
Stainless Steel X 30MM

Eyebolt 65524

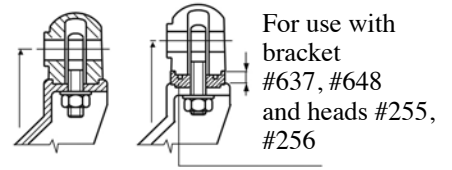
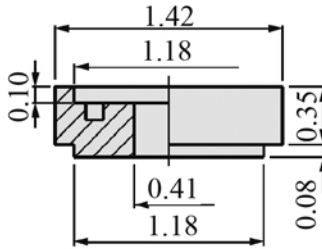


1/2" bore, M10 thread,
Stainless Steel X 45MM

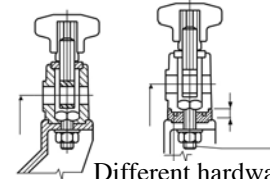
Spacers

Spacers are supplied in black reinforced polyamide

227-61931

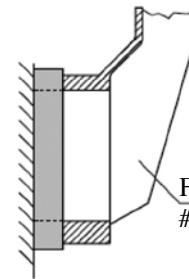
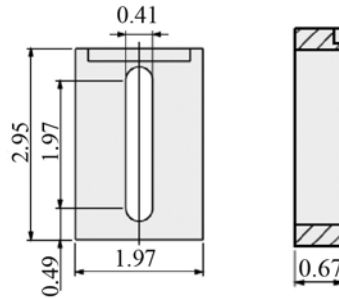
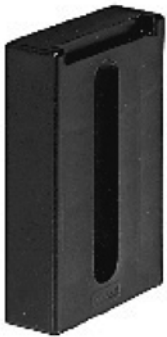


For use with bracket #637, #648 and heads #255, #256



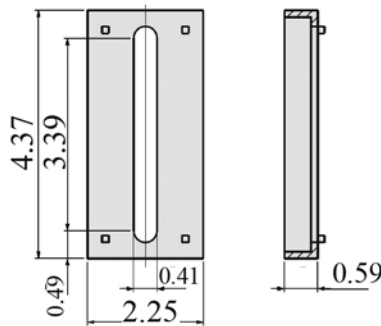
Different hardware required: M10 x 40mm

61-50870

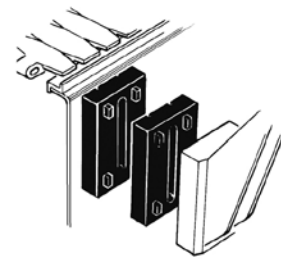


For use with bracket #107, #648 and #652

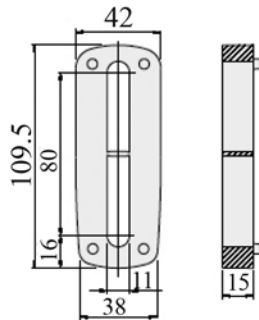
142-65870



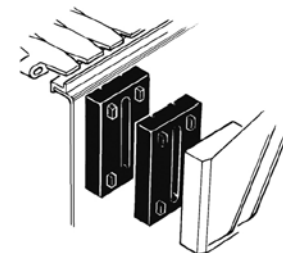
For use with brackets #599, #617



725-688762



For use with brackets #632, #637

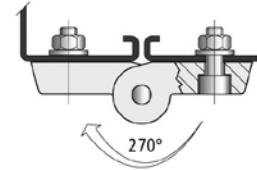
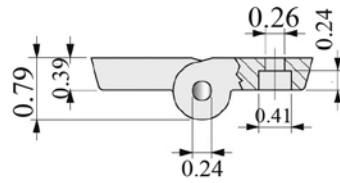
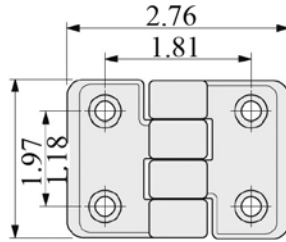


Metric dimensions shown

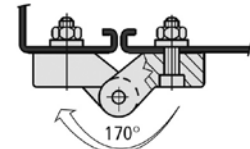
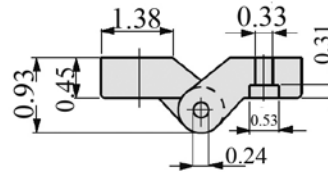
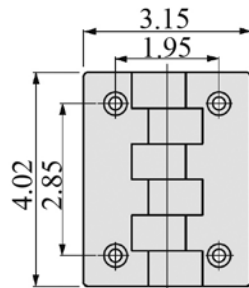
Hinges

Hinges are supplied in black reinforced polyamide

337-67023

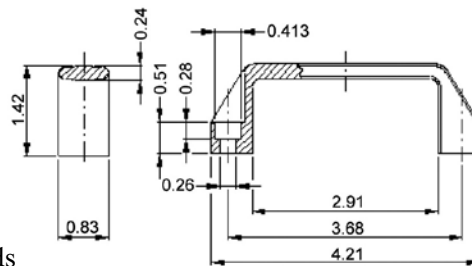


260-66546

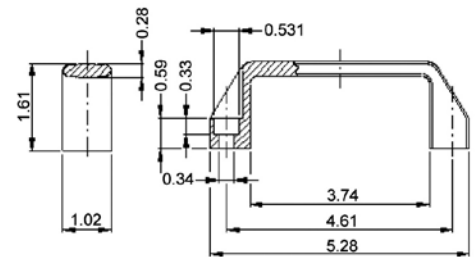


Pull Handles

37001

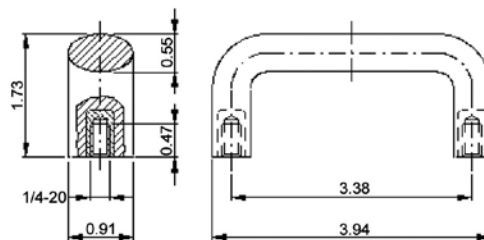


37101

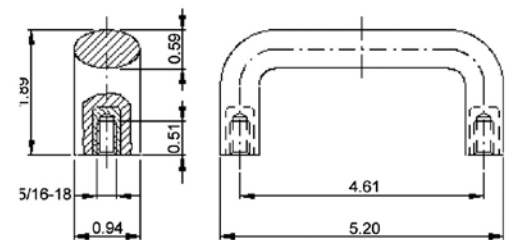


Black Polyamide with open ends

937303



937313



Black Polyamide with brass threaded inserts

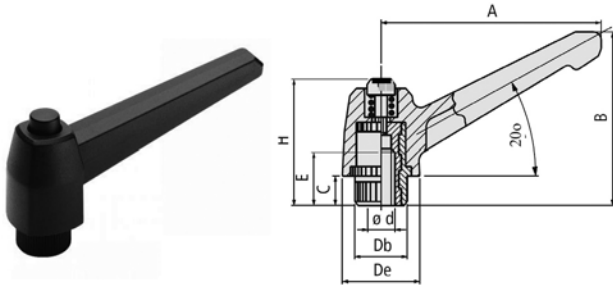
Ratchet Handles

- **Glass-fiber reinforced polyamide based (PA) technopolymer lever body.**
(Resistant to solvents, oils, grease and other chemical agents.)
- **Black standard color with matte finish.**

Other sizes available

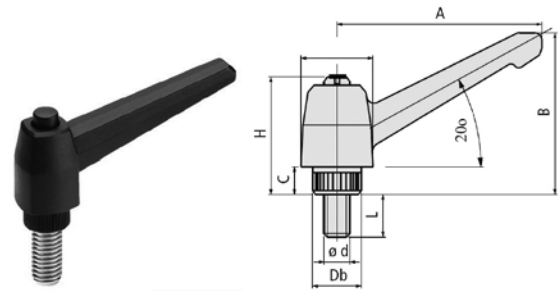
Particularly suitable when lever turning angle is limited owing to lack of space.

To adjust during clamping, lift lever to disengage clamping device from teeth.
By releasing the lever the return spring automatically engages in teeth once again.



Brass Insert

Code	Thread	A
141141	M6	1.65
142121	M10	3.15
941141	1/4-20	1.65
302-60852	5/16-18	2.17
941421	5/16-18	2.48
942111	5/16-18	3.15
942121	3/8-16	3.15



Zinc Plated Thread

Code	Thread	A
141501	M8 x 16mm	2.48
941331	1/4-20 x 1	1.65
941341	1/4-20 x 1-1/2	1.65
941521	5/16-18 x 1	2.48
942221	3/8-16 x 1-1/4	3.15
942231	3/8-16 x 1-1/2	3.15

Stainless Steel Insert

Code	Thread	A
141191	M6	1.65
141425	M8	2.48
941191	1/4-20	1.65
941431	5/16-18	2.48
942151	3/8-16	3.15

Stainless Steel Thread

Code	Thread	A
303-60922	M6 x 20mm	1.57
303-60872	M8 x 25mm	2.17
624MB8X40	M8 x 40mm	2.48
303-60942	M10 x 30mm	3.11
941365	1/4-20 x 3/4	1.65
941611	5/16-18 x 3/4	2.48
941615	5/16-18 x 1	2.48
303-60932	3/8-16 x 1.2	3.11

Series 302 and 303 offer a slotted head for tighter adjustments.



Contact us for details.

Hand Knobs

Metric version also available.



High-impact strength polypropylene based (PP) technopolymer.

Resistant to solvents, oils, grease and other chemical agents.

The special type of technopolymer used and the matte finish make this knob elegant. The operator obtains a strong clamping action without any discomfort due to its ergonomic design: five lobes, blended radius and well proportioned rim height assure a natural, safe and comfortable grip.

Threaded stem in zinc-plated steel.

Code	Thread x I	D
969854	1/4-20 x 1"	1.26
969913	5/16-18 x 1"	1.57
969971	3/8-16 x 1"	1.97
970032	1/2-13 x 1-1/2"	2.48



Insert is in brass with tapped blind hole.
Center cap can be removed for thru bore installation.

Code	Thread	D
969893	1/4-20	1.57
969953	5/16-18	1.97
969954	3/8-16	1.97
970013	3/8-16	2.48
970014	1/2-13	2.48

Phenolic based (PF) Duroplast.

Resistant to solvents, oils, grease and other chemical agents.

The five-lobed shape (ELESA design), that offers the fingers a secure grip, is in fact solid and thus there are no cavities where unhealthy residues may deposit.



The metal part, built in AISI 303 stainless steel, makes this knob suitable for use on medical machines, equipment for the food and pharmaceutical industry and wherever hygienic, climatic and environmental factors or laws make it mandatory to use corrosion resistant materials.

Threaded stem in stainless steel AISI 303.

Code	Thread x I	D
966263	1/4-20 x 3/4"	1.26
966385	5/16-18 x 1-1/4"	1.57
966496	3/8-16 x 1"	1.97
966498	3/8-16 x 1-1/2"	1.97



Insert is in stainless steel AISI 303.

Code	Thread x I	D
966226	1/4-20	1.26
966346	5/16-18	1.57
966476	3/8-16	1.97



Contact us for details.

Handwheels

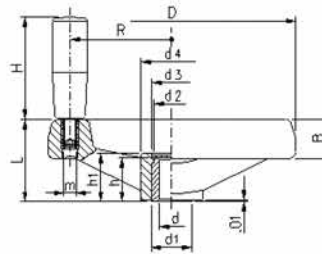


Style VRTP + I
With revolving side handle

VRTP+I

Two-spoke handwheels with side handle

- High-impact strength polypropylene-based technopolymer (resistant to solvents, oils, grease and other chemical agents.)
- Black standard color with matte finish
- Black oxide steel boss with reamed bore
- Self-adhesive matte anodized aluminium front plate for fitting after handwheel assembly.
- Technopolymer revolving handle

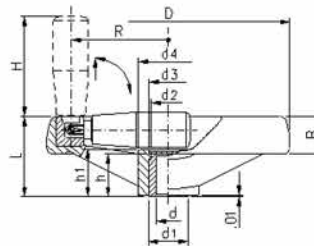


Style VRTP + IR
With fold-away revolving side handle

VRTP+IR

Two-spoke handwheels with fold-away handle

- High-impact strength polypropylene-based technopolymer (resistant to solvents, oils, grease and other chemical agents.)
- Black standard color with matte finish
- Black oxide steel boss with reamed bore
- Self-adhesive matte anodized aluminium front plate for fitting after handwheel assembly.
- Technopolymer fold-away handle



Code		Main dimensions								Bore	
VRTP + I	VRTP + IR	D	L	B	d1	d2	d3	d4	h1	d	h
978521	978531	3.90	1.46	0.79	0.71	0.63	0.67	0.98	0.75	0.375	0.67
978621	978631	4.88	1.73	0.87	0.87	0.79	0.83	1.22	0.98	0.375	0.87
978721	978731	6.30	2.01	0.98	1.02	0.94	0.98	1.57	1.14	0.500	1.06
978821	978831	7.87	2.40	1.10	1.18	1.10	1.22	1.97	1.42	0.625	1.34
978921	978931	9.84	2.76	1.26	1.38	1.30	1.34	2.32	1.57	0.625	1.50
978961	978971	11.73	3.07	1.42	1.57	1.46	1.65	2.60	1.81	0.750	1.69

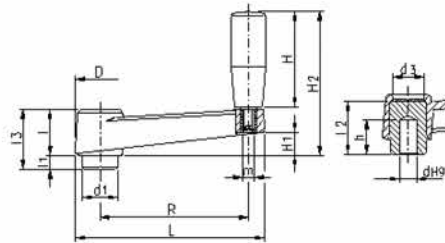
elesa[®] Contact us for details.

Crank Handles



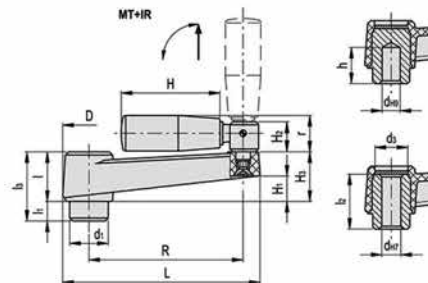
MT. Crank handles

- Glass-fiber reinforced polyamide based technopolymer
- Black standard color with matte finish
- Black oxide steel hub with pilot blind hole
- Self-adhesive matte anodized aluminium front plate for fitting after crank handle assembly.
- Polypropylene based revolving handle.



MT + IR. Crank handles with fold-away handle

- Glass-fiber reinforced polyamide based technopolymer
- Black standard color with matte finish
- Black oxide steel hub with pilot blind hole
- Self-adhesive matte anodized aluminium front plate for fitting after crank handle assembly.
- Polypropylene based revolving handle.



Code		Main dimensions											Bore	
MT.	MT + IR.	R	L	D	d1	d3	I	I1	I2	I3	H1	H2	d	h
44091	-	2.52	3.39	1.06	0.71	0.63	0.91	0.39	1.14	1.30	0.39	2.48	0.236	0.71
44191	44216	3.15	4.13	1.18	0.87	0.67	1.02	0.39	1.26	1.42	0.51	2.99	0.236	1.02
44291	44316	3.94	5.04	1.34	0.94	0.83	1.18	0.39	1.46	1.57	0.59	3.78	0.315	1.10
44391	44416	5.11	6.37	1.57	1.10	0.98	1.37	0.55	1.73	1.93	0.79	4.52	0.394	1.18
44491	44516	6.30	7.80	1.77	1.34	1.06	1.57	0.59	1.93	2.17	0.91	5.12	0.394	1.18
-	44621	8.35	9.92	1.97	1.57	1.22	1.77	0.59	2.09	2.36	1.02	5.35	0.472	1.18

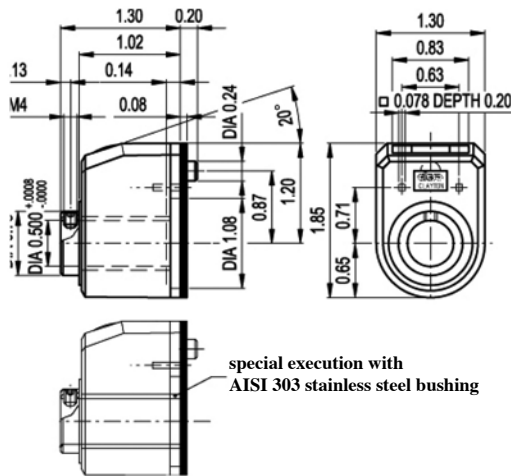


Contact us for details.

Digital Position Indicators



DD51
Mini 4 digits



Use: mounted on passing through control spindles in any position, for giving actual reading of the positioning of a machine component.

Polyamide-based technopolymer case, ultrasonically welded to its support to prevent dust penetration. Standard color orange or grey.

Glossy finish. Resistant to solvents, oils, grease and other chemical agents.

Four figure digital counter, with one or two red decimals. The magnifying window, molded over the dustproof case improves the readability.

Black oxide steel insert with standard reamed hole.

Front sealing rubber NBR gasket between case and steel insert.



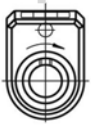





Location rear pin for positioning.

Maximum working temperature: 175°F (80°C)

Standard bore on indicator is 1/2".

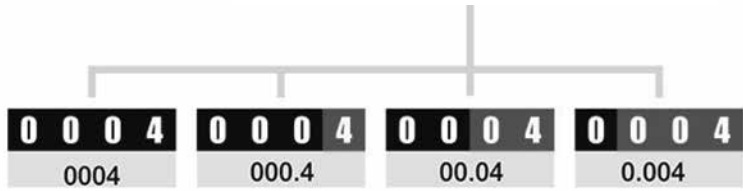
- Reducing bushing available for the following sizes: 1/4, 3/8.

Example how to order:

DD51	AN	0004	D	C2	SST	1/2
Series	Display Position	Reading of the counter after one revolution	Increasing numbering	Colour	Stainless steel boss	Bore
				AR	 To add only for the version with stainless steel boss	1/4
				C2 RAL 2004		3/8
				GR		1/2
				C3 RAL 7035		5/8
						3/4
				C1 RAL 7021		20mm
						

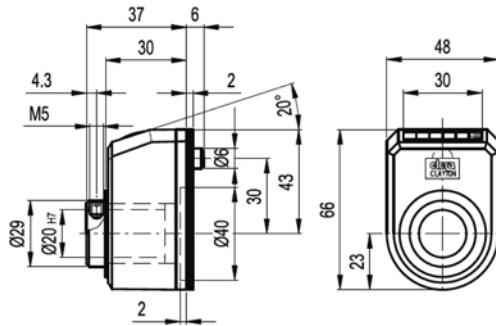
0004

Reading of the counter after one revolution



elesa[®] Contact us for details.

Digital Position Indicators



Metric dimensions shown

Digital Position Indicators direct drive

Use: mounted on passing through control spindles in any position, for giving actual reading of the positioning of a machine component.

Polyamide-based technopolymer case, ultrasonically welded to its support to prevent dust penetration. Standard color orange or grey. Glossy finish. Resistant to solvents, oils, grease and other chemical agents.

Five figure digital counter, with one, two or three red decimals. The magnifying window, molded over the dustproof case improves the readability.

Black oxide steel insert with standard reamed hole. Location rear pin for positioning.

Maximum working temperature: 175°F (80°C)









DD52-R

Standard bore on indicator is 3/4".

- Reducing bushing available for the following sizes: 1/4, 3/8, 1/2, 5/8.

- Accessory available: spacer CE83950, for DD52 replacements.

Example how to order:

DD52R	AN	0001	D	C2	SST	3/4
Series	Display Position	Reading of the counter after one revolution	Increasing numbering	Colour	Stainless steel boss	Bore
				AR		1/4
AN Inclined upper	AR Inclined lower		D Clockwise	C2 RAL 2004		3/8
				GR		1/2
				C3 RAL 7035		5/8
					To add only for the version with stainless steel boss	3/4
FN Front upper	FR Front lower		S Anti-clockwise	C1 RAL 7021		20mm

0001

Reading of the counter after one revolution



Contact us for details.



Operating elements



Clamping knobs



Clamping levers



Lift & Pull handles



Fixed & Revolving handles



Control elements



Position indicators



Indexing and positioning elements

elesa[®] Contact us for details.

CRS Vamic | We Convey Solutions



Machine elements



Leveling elements and supports



Hinges and connections



Latches



Accessories for hydraulic systems



Casters and Wheels



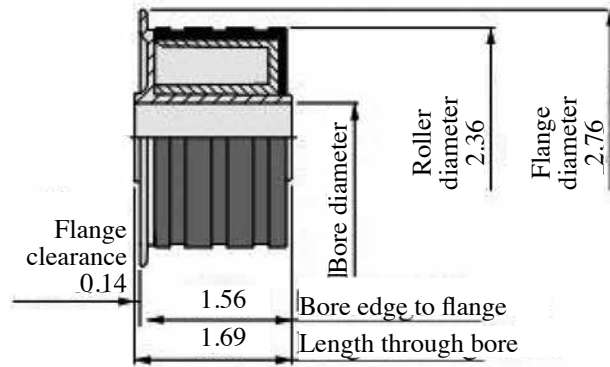
Connecting clamps

elesa[®] Contact us for details.

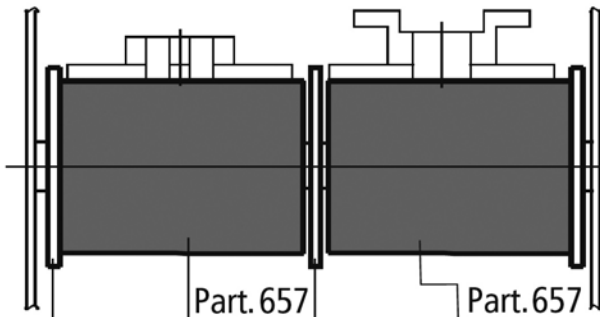
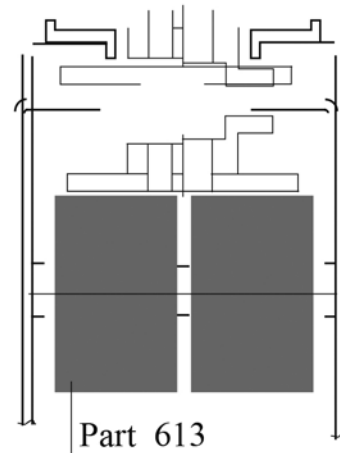
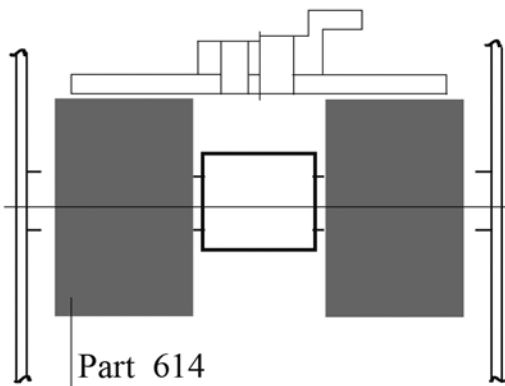
CRS Vamic | We Convey Solutions

Return Rollers

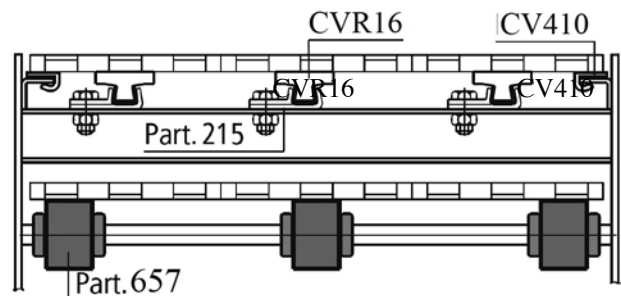
Flanged



Code	Bore	Bore dia.
614-635152	3/4"	0.77



Return rollers can also be used for modular belt applications.



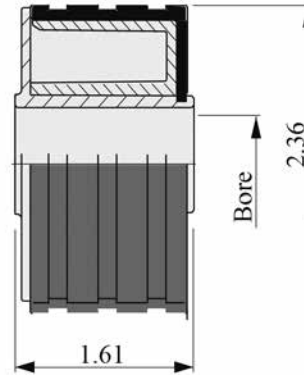
Return Rollers

Characteristics: Completely closed design. Less noise even in high speed applications. Hub in acetal to reduce friction.

Material: Roller in acetal POM (grey). External SBR rubber surface (grey). 60 Shore hardness.

Single

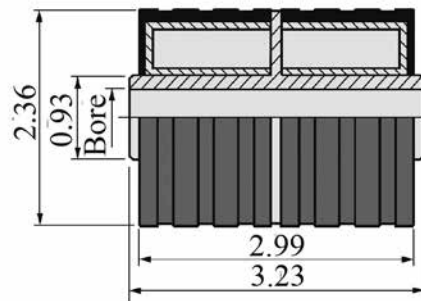
Single roller with rubber surface 2.36" dia.



Code	Bore
613-632472	1/2"
613-635142	3/4"

Double

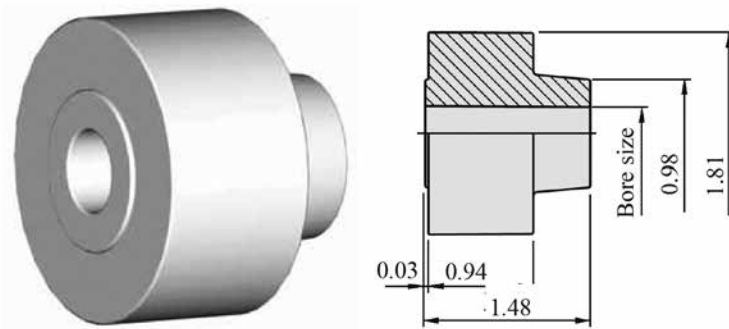
Double roller with rubber surface 2.36" dia.



Code	Bore
657-656982	1/2"
657-657002	5/8"
657-656692	3/4"
657-657022	20mm

Chain Return Rollers

728-688912



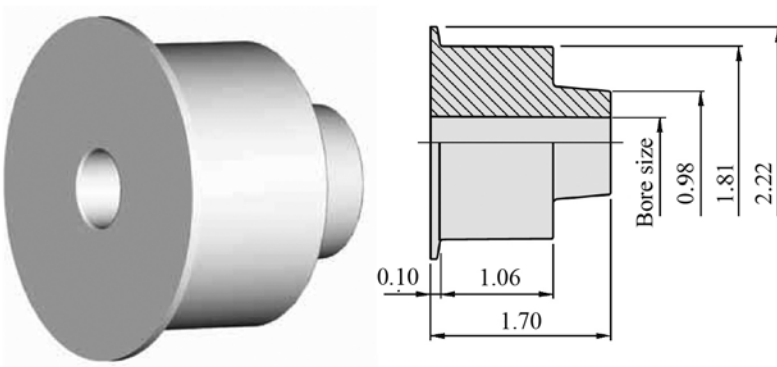
Closed design for maximum hygiene

Material: polyethylene white, ideal for applications in the food industry

Code	Bore
728-688912	12 mm

Can be rebored between 1/2" to 3/4"

727-688902

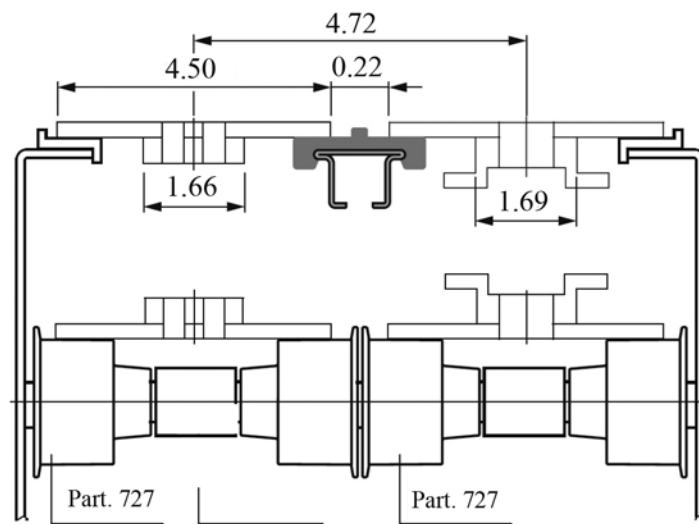
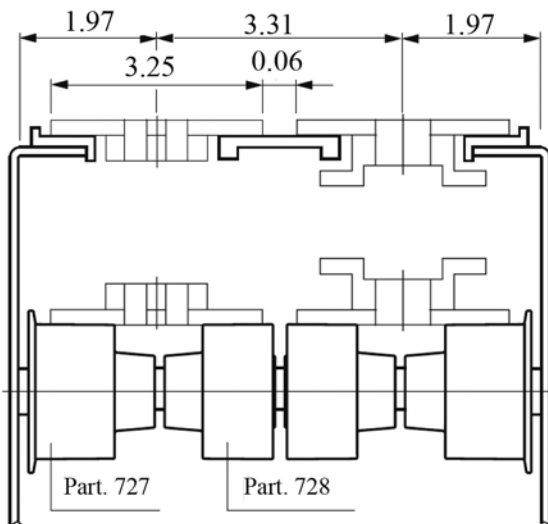


Closed design for maximum hygiene

Material: polyethylene white, ideal for applications in the food industry

Code	Bore
727-688902	12 mm

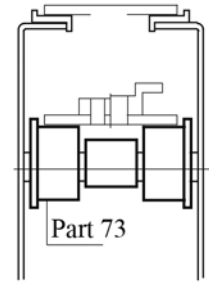
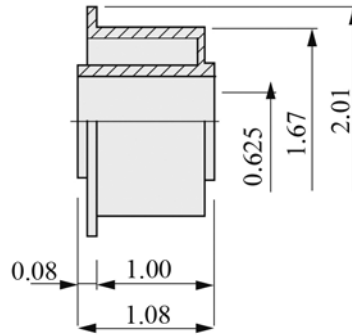
Can be rebored between 1/2" to 3/4"



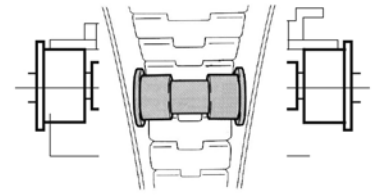
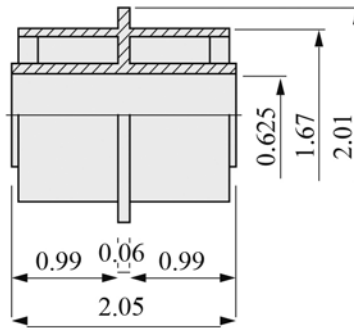
Chain Return Rollers

Supplied in black PA polyamide.

Single 73-62946



Double 125-63908

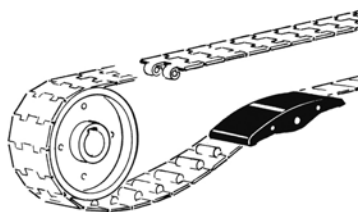
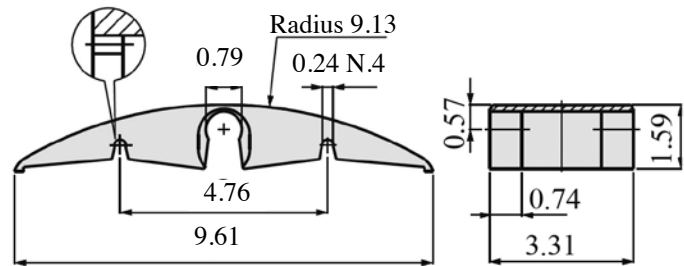


Part 73 Part 126 Part 125

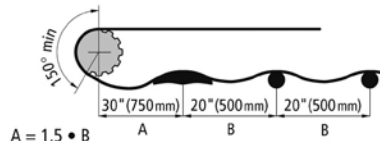
Chain Return Shoes

153-684231N

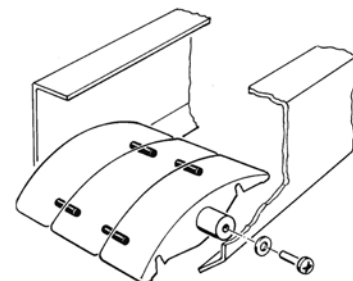
Chain return shoes are installed with flexibility enabling them to adjust with the chain movement.
Material: PE polyethylene (green). Can be used for both plastic and metal chains.



Snap-on assembly



Positioning



Shoes can be fastened together

Modular Transfer Roller Plates

568-



Center module

85mm shown

Use: snap-on assembly with Part #567-569-672.

Material: frame and rollers in acetal Rex-HP™ (dark grey) very low coefficient of friction. Roller pins and screws in stainless steel AISI 304.

Screws are M5 x 13mm long

569-



End transfer module

Use: head to tail transfer see Fig. 1-2. 90° transfer see Fig. 3.

Material: frame and rollers in acetal Rex-HP™ (dark grey) very low coefficient of friction. Roller pins and screws in stainless steel AISI 304.

Modularity: snap-on assembly with Part #568.

Screws are M5 x 13mm long

672-



End transfer module with lip

Use: head to tail transfer see Fig. 1-2. 90° transfer see Fig. 3.

Material: frame and rollers in acetal Rex-HP™ (dark grey) very low coefficient of friction. Roller pins and screws in stainless steel AISI 304.

Modularity: snap-on assembly with Part #568.

Screws are M5 x 13mm long

567-



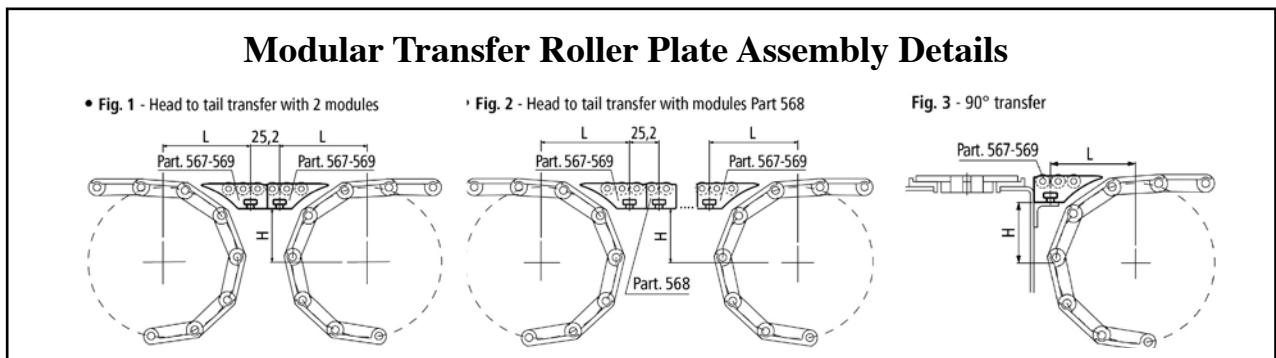
End transfer module with lip

Use: head to tail transfer see Fig. 1-2. 90° transfer see Fig. 3.

Material: frame and rollers in acetal Rex-HP™ (dark grey) very low coefficient of friction. Roller pins and screws in stainless steel AISI 304.

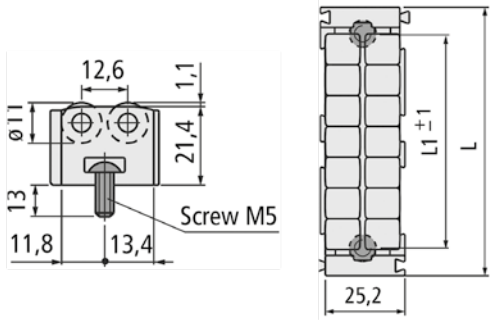
Modularity: snap-on assembly with Part #568.

Screws are M5 x 13mm long

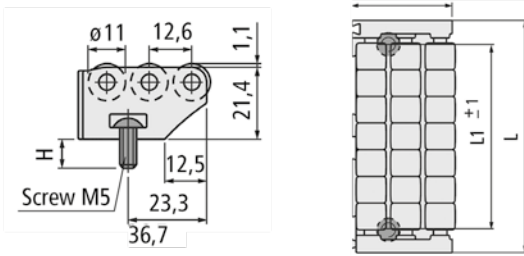


Modular Transfer Roller Plates

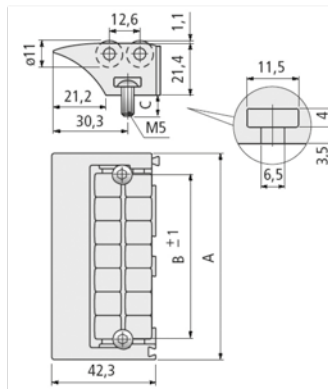
All dimensions are metric



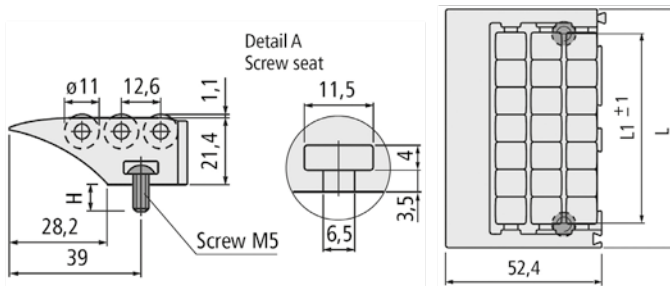
Part #	Width L	Width L1
568-601082	85mm	67.6mm
568-677312	115mm	97mm



Part #	Width L	Width L1
569-601092	85mm	67.6mm
569-677332	115mm	97mm



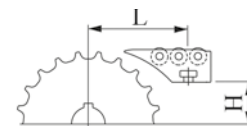
Part #	Width A	Width B
672-675582	85mm	67.6mm
672-675592	115mm	97mm



Part #	Width L	Width L1
567-688812	85mm	67.6mm
567-677322	115mm	97mm

Versions with 85mm and 115 mm widths

- Lip shaped to reduce the possibility of product pinching
- Easy head to tail and 90° product transfer
- Smooth transfer
- HP™ material

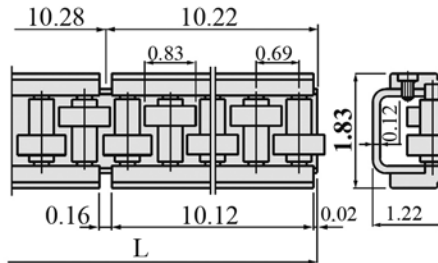


Contact CRS/VAMIC for details on H and L dimensions. These dimensions vary depending on the sprocket size and chain style.

Roller Guides

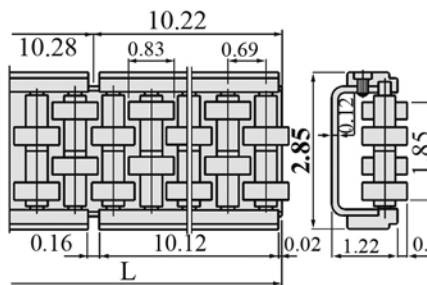
Material: rollers in acetal POM (white). Side straps in polyamide PA (black). Frame in stainless steel AISI 303.

One Roller Wide



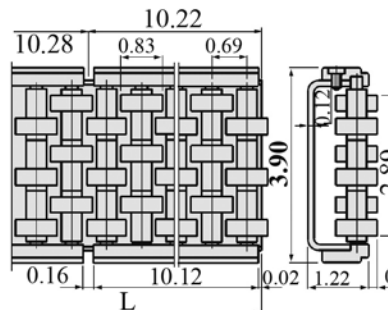
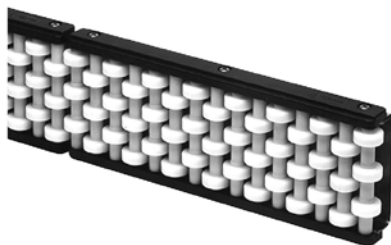
Part #	Length L
128-62640	1 meter
128-62670	2 meters
128-63350	3 meters

Two Rollers Wide



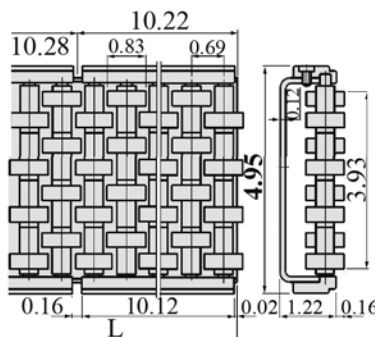
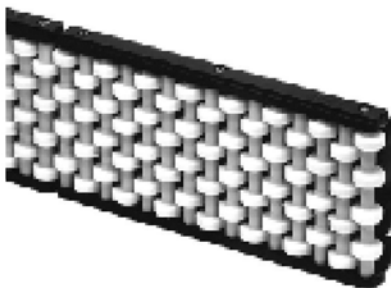
Part #	Length L
128-62650	1 meter
128-62680	2 meters
128-63340	3 meters

Three Rollers Wide



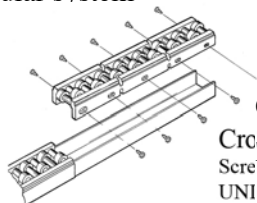
Part #	Length L
128-62660	1 meter
128-62690	2 meters
128-62890	3 meters

Four Rollers Wide



Part #	Length L
128-609733	1 meter
128-609743	2 meters
128-609753	3 meters

Modular system



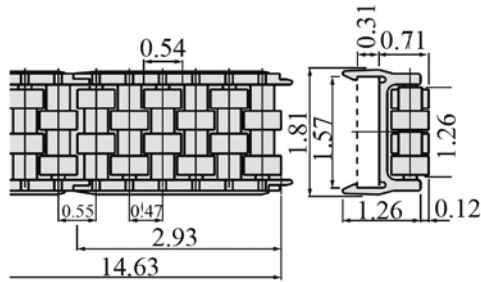
Cross head
CrcScrews M4x8
ScreUNI 7687
UNI

Guides are made of 257 mm long modules fixed on a metal «C» profile.

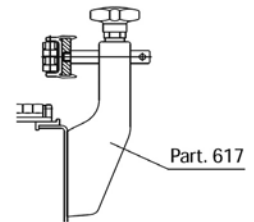
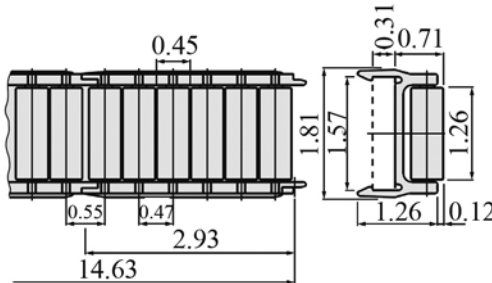
Flexible Roller Guides

Material: frame in acetal POM (black). Rollers in polyamide PA (white).

580-603302



581-603322

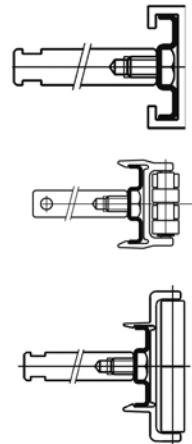
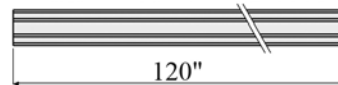


Metal Profiles

537-689231



Material: Stainless steel



ACCESSORIES

Replacement rollers

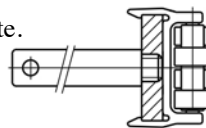
63-51370



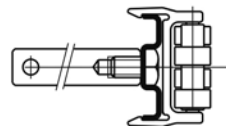
Dimensions:
8mm thick x 21mm od.

Fixing of Part #580-581
Snap-on assembly / disassembly

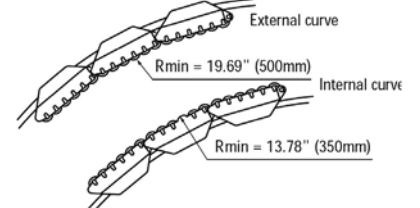
Fixing with plate.



Fixing with metal profile
Part #537

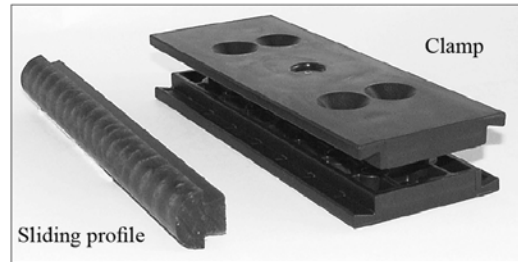
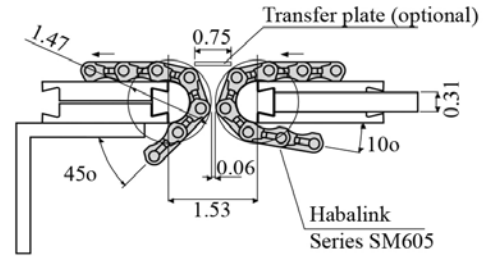
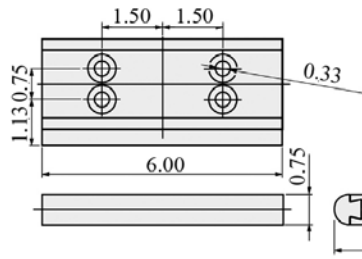


Min. curvature radius Part. 580



Nose Bar & Accessories

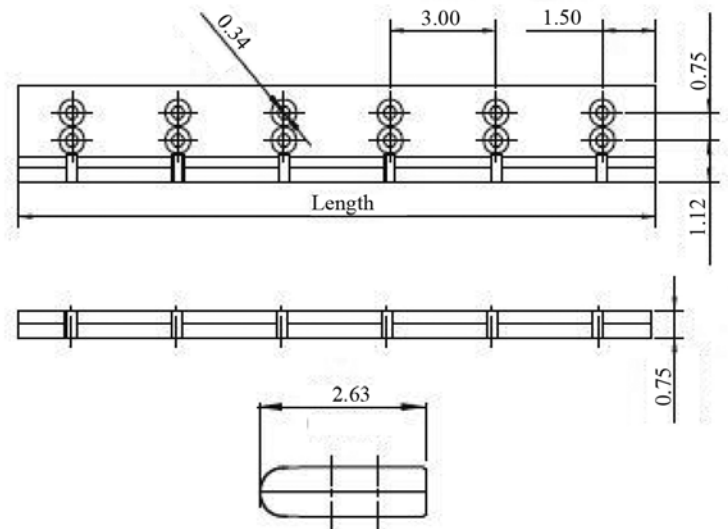
905-655711



Material: clamp in polyamide PA (black), sliding profile in Nylatron®.

Live Roller Nose Bar

905-656421



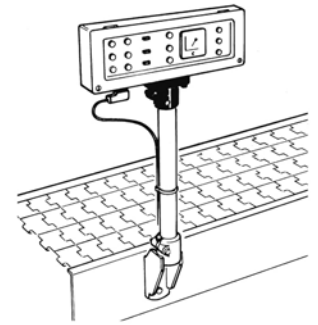
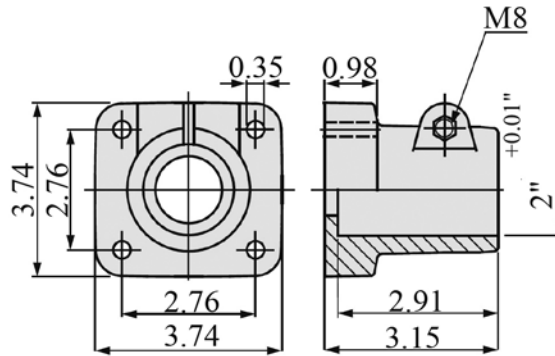
Dynamic nose-over bar. 6 inches in overall length. Machined UHMWPE material with steel bearings.

Available in 6", 18" and 24".

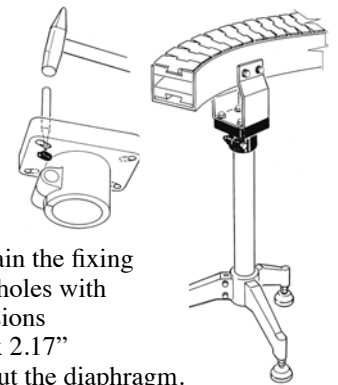
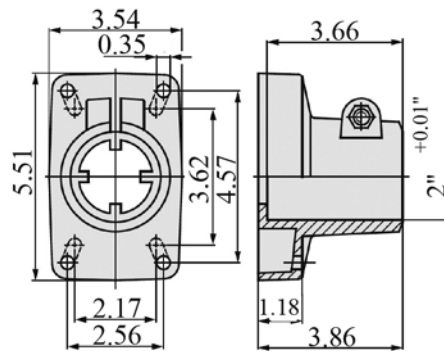
Frame Support Components

Supplied in black reinforced polyamide with stainless steel hardware.
Fits 2" outside diameter tube.

198-664761

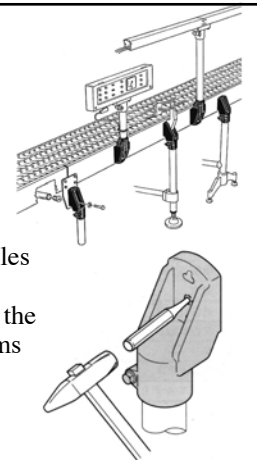
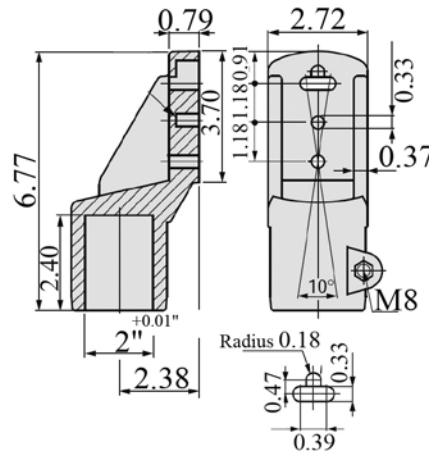


280-664781



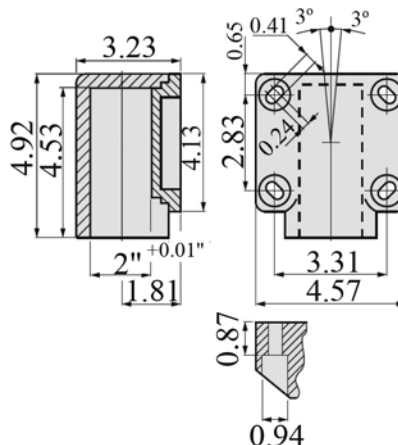
To obtain the fixing centre holes with dimensions 3.62" x 2.17" breakout the diaphragm.

199-664771



To use holes A and B breakout the diaphragms

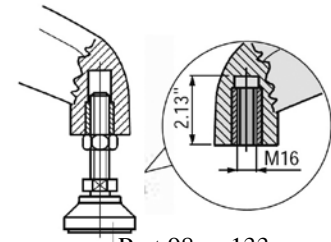
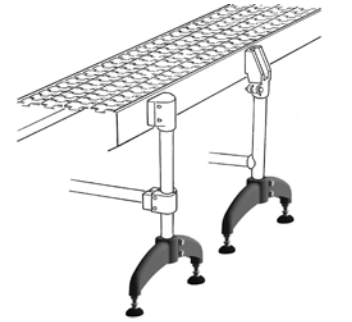
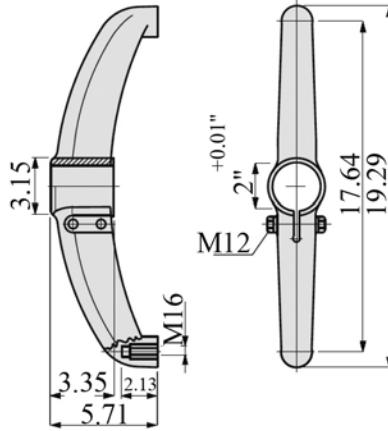
168-664751



Frame Support Components

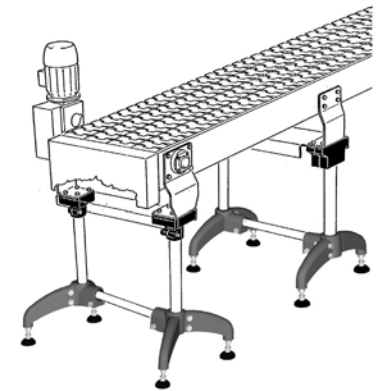
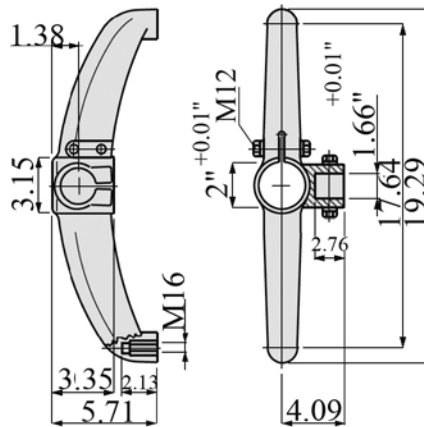
Material: Black reinforced polyamide. Stainless steel hardware.
Fits 2" outside diameter tube.

Bipod 618-624312

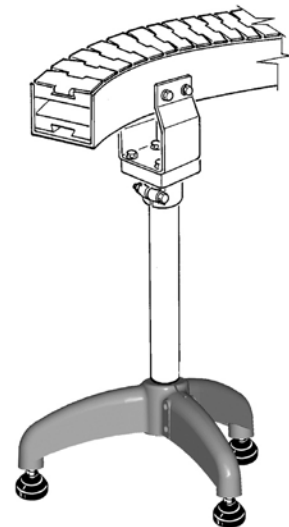
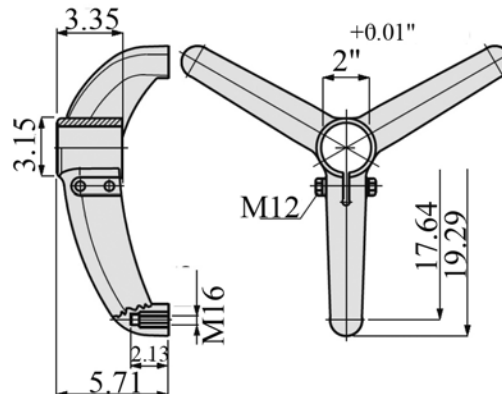


Part 98 or 133

Support Base 619-624402



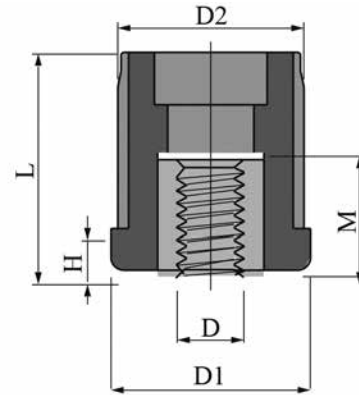
Tripod 615-624272



Threaded Tube Ends

Material: Bushing in reinforced polyamide
PA FV (black). Threaded insert in nickel plated brass

Square 224-



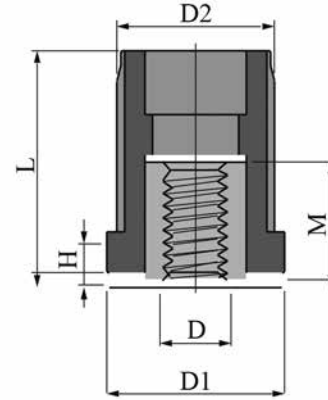
Tube Outside	Wall Thickness	Tube Inside	Thread Size D	D1	D2	H	L	M	Load Max	Code#
1-1/2"	0.065"	1.37"	1/2" unc	1.50	1.40	0.31	1.69	0.75	1125 lbs	224-59231
			5/8" unc	1.50	1.40	0.31	1.69	0.94	1125 lbs	224-59251
	0.120"	1.26"	1/2" unc	1.50	1.28	0.31	1.69	0.75	1125 lbs	224-61422
			5/8" unc	1.50	1.28	0.31	1.69	0.94	1125 lbs	224-61432
2"	0.109"	1.78"	3/4" unc	1.50	1.28	0.31	1.69	1.18	1800 lbs	224-661631
			1/2" unc	1.97	1.80	0.39	2.17	0.75	1125 lbs	224-61691
			5/8" unc	1.97	1.80	0.39	2.17	0.94	1125 lbs	224-59261
			3/4" unc	1.97	1.80	0.39	2.17	1.18	1800 lbs	224-59241
	0.065"	1.85"	M16	1.97	1.80	0.39	2.17	1.18	1800 lbs	224-63051
			1/2" unc	1.97	1.88	0.39	2.17	0.75	1125 lbs	224-692791
			3/4" unc	1.97	1.88	0.39	2.17	0.75	1125 lbs	224-692811

Maximum applicable load in static conditions.

Threaded Tube Ends

Material: Bushing in reinforced polyamide
PA FV (black). Threaded insert in nickel plated brass.

Round 180-



Tube Outside	Wall Thickness	Tube Inside	Thread Size D	D1	D2	H	L	M	Load Max	Code#
2"	0.065"	1.37"	5/8" unc	1.97	1.91	0.39	2.20	0.94	1125 lbs	180-59221
			3/4" unc	1.97	1.91	0.39	2.20	1.18	1800 lbs	180-59201

Maximum applicable load in static conditions.

Stainless Steel Tube

R2016SS10

2.00" Outside Diameter



Stainless steel tube, 2" o.d. with 1/16" wall.
Supplied in 10 ft. sections

Leveling Pads

Footplate material: reinforced polyamide PA FV (black).
Anti-slip pad and M16 nut supplied separately.

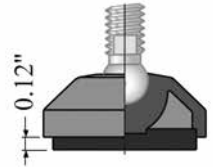
98-



2.36" Base Diameter

Accessories

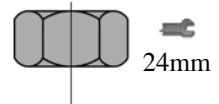
Anti-slip pad



Code: 630022

Material: NBR rubber (black), 70 Shore.
Assembly: Press-fit.

M16 Nut

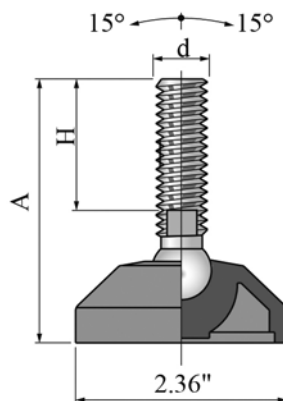


Code: 630212

Material: Stainless steel AISI 304

Thread d	Height A	Thread Length H	Spindle Type		Wrench	Max. Load	Spindle in stainless steel AISI 303 Code	Spindle in nickel plated brass Code
			0.56"	0.96"				
M16	3.74"	2.48"	0.56"	-	0.63" (16)	2250 lbs	-	98-626082
	3.94"	2.52"	0.56"	-	0.51" (13)	2250 lbs	98-626012	-
	7.28"	5.67"	-	0.96"	0.94" (24)	2700 lbs	98-628802	-

*Polyamide ball Maximum applicable load in static conditions.



Leveling Pads

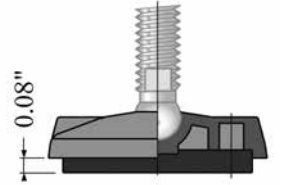
Footplate material: reinforced polyamide PA FV (black).
Anti-slip pad supplied separately.

323-



Accessories

Anti-slip pad



Code: 630042

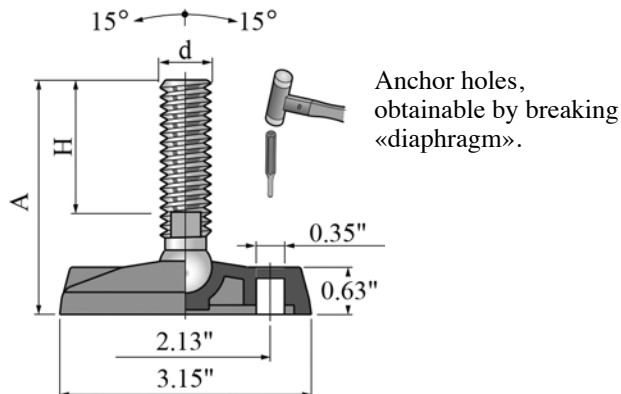
Material: NBR rubber (black), 70 Shore.

Assembly: Press-fit.

**3.15" Base Diameter
with 2 Anchor Holes**

Thread d	Height A	Thread Length H	Spindle Type		Wrench	Max. Load	Spindle in stainless steel AISI 303 Code	Spindle in zinc plated steel Code
			0.50"	0.56"				
1/2" unc	3.78"	2.80"	0.50"	-	0.47" (12)	2025 lbs	323-653071	-
	5.87"	4.72"	-	0.56"	0.43" (11)	2250 lbs	323-658742	-
5/8" unc	5.93"	4.95"	0.50"	-	0.47" (12)	2025 lbs	-	323-652171
	5.90"	4.76"	-	0.56"	0.51" (13)	2250 lbs	323-658762	-

Maximum applicable load in static conditions.



Leveling Pads

Footplate material: reinforced polyamide PA FV (black).
Anti-slip pad and M16 nut supplied separately.

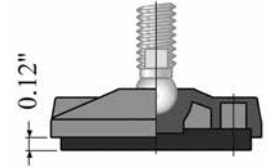
133-



**4.02" Base Diameter with
2 Anchor Holes**

Accessories

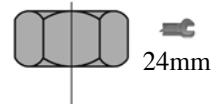
Anti-slip pad



Code: 630052

Material: NBR rubber (black), 70 Shore.
Assembly: Press-fit.

M16 Nut

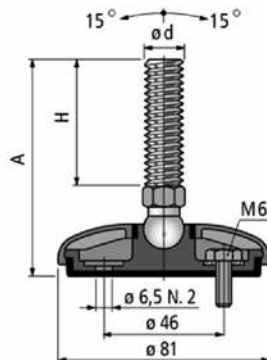


Code: 630212

Material: Stainless steel AISI 304

Thread d	Height A	Thread Length H	Spindle Type 0.96"	Wrench 0.94" (24mm)	Max. Load ↓	Spindle in stainless steel AISI 303 Code	Spindle in zinc plated steel Code
1/2" unc	5.90"	4.06"	0.96" *	0.75" (19)	2925 lbs	133-654421	-
5/8" unc	5.94"	4.30"	0.96"	0.94" (24)	2925 lbs	133-659242	-
	7.75"	5.90"	0.96" *	0.94" (24)	2925 lbs	133-659302	133-659522
3/4" unc	7.33"	5.68"	0.96"	0.94" (24)	2925 lbs	133-659352	133-659562
M16	4.53"	2.91"	0.96"	0.94" (24)	2925 lbs	133-627212	-
M16	7.28"	5.67"	0.96"	0.94" (24)	2925 lbs	133-627232	-
M16	7.87"	6.26"	0.96"	0.94" (24)	2925 lbs	133-627242	-

*Polyamide ball Maximum applicable load in static conditions. **Nickel Plated Brass



Leveling Pads

Footplate material: reinforced polyamide PA FV (black).
Anti-slip pad supplied separately.

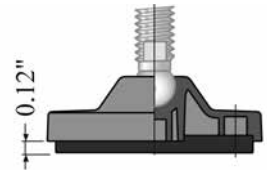
479-



4.33" Base Diameter

Accessories

Anti-slip pad



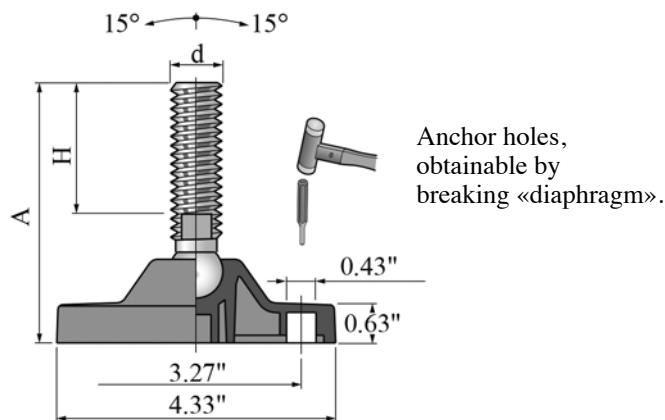
Code: 630062

Material: NBR rubber (black), 70 Shore.

Assembly: Press-fit.

Thread d	Height A	Thread Length H	Spindle Type		Max. Load	Spindle in stainless steel AISI 303 Code	Spindle in zinc plated steel Code
			0.96"	Wrench			
5/8» unc	6.38"	4.30"	0.96"	0.94" (24)	4500 lbs	479-659692	-
	8.18"	5.90"	0.96" *	0.94" (24)	4500 lbs	479-653131	479-653161

*Polyamide ball Maximum applicable load in static conditions.



Leveling Pads

Footplate material: reinforced polyamide PA FV (black).
Anti-slip pad supplied separately.

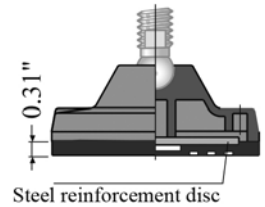
171-



4.84" Base Diameter

Accessories

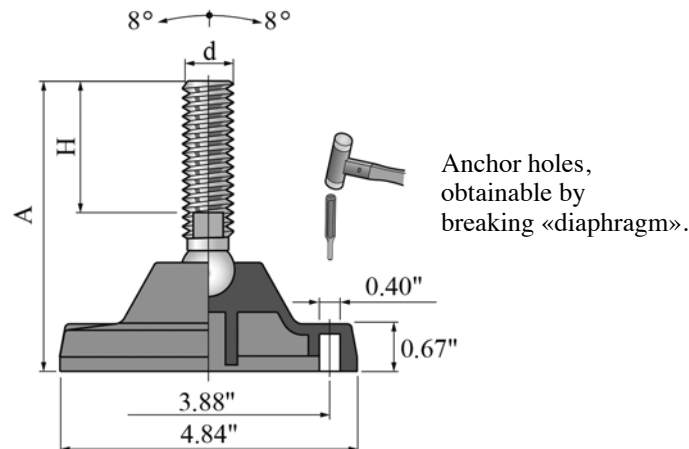
Anti-slip pad



Code with reinforcement disc: 630082
Material: NBR rubber (black), 80 Shore.
Assembly: With screws for plate supplied loose.

Thread d	Height A	Thread Length H	Spindle Type 0.96"	Wrench 0.94" (24)	Max. Load 5625 lbs	Spindle in stainless steel AISI 303 Code 171-661242	Spindle in zinc plated steel Code 171-661392
3/4" unc	8.22"	5.68"	0.96"	0.94" (24)	5625 lbs	171-661242	171-661392

Maximum applicable load in static conditions.



Hygienic Leveling Pads

Machine feet in hygienic design HMF with floor lock plate

Machine feet in hygienic design with rubber base for vibration reduction and anti-slip properties. Our hygienic machine feet are provided with FDA certificate (FDA CFR 21 177 2600) with unique batch ID number for food safety traceability.

Machine feet in hygienic design features and advantages

HMF hygienic machine feet have a rounded, hygienic design which makes it easy to clean. HMF hygienic machine feet can cope with up to 10 degree slopes on floors and equipment.

Machine feet in hygienic design materials

HMF hygienic machine feet embedded rubber with FDA Certificate according to FDA CFR 21 177 2600.



Base plate material description:

Stainless steel Aisi 304

Spindle material description:

Stainless steel A2-70

Rubber base material description:

NBR Rubber (Nitrile rubber CAS no. 9005-98-5)
FDA Certificate according to FDA CFR 21 177 2600

All materials are highly resistant to chemicals and commonly applied cleaning agents and to resistant oils and fats.



Hygienic Leveling Pads

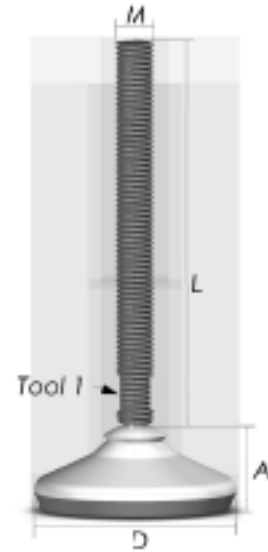
HMF

Machine feet in hygienic design HMF



Sanitary leveler in stainless steel with black FDA molded rubber beneath the base.

The hygienic machine feet have a rounded and hygienic design which makes it easy to clean and suitable for demanding sanitary applications.



Code	Base D	Thread M	Height L	Base Height A	Max.Load
HMF60-12-6	2.35"	1/2" unc	5.90"	0.94"	7000N
HMF60-34-12		3/4" unc	12.20"		
HMF60-34-6		3/4" unc	5.90"		
HMF60-58-6		5/8" unc	5.90"		
HMF60-58-8		5/8" unc	7.90"		
HMF80-12-6	3.15"	1/2" unc	5.90"	1.10"	15000N
HMF80-34-12		3/4" unc	12.20"		
HMF80-34-6		3/4" unc	5.90"		
HMF80-58-6		5/8" unc	5.90"		
HMF80-58-8		5/8" unc	7.90"		
HMF100-12-6	3.94"	1/2" unc	5.90"	1.26"	20000N
HMF100-34-12		3/4" unc	12.20"		
HMF100-34-6		3/4" unc	5.90"		
HMF100-58-6		5/8" unc	5.90"		
HMF100-58-8		5/8" unc	7.90"		

Hygienic Leveling Pads

HMF

Machine feet in hygienic design HMF



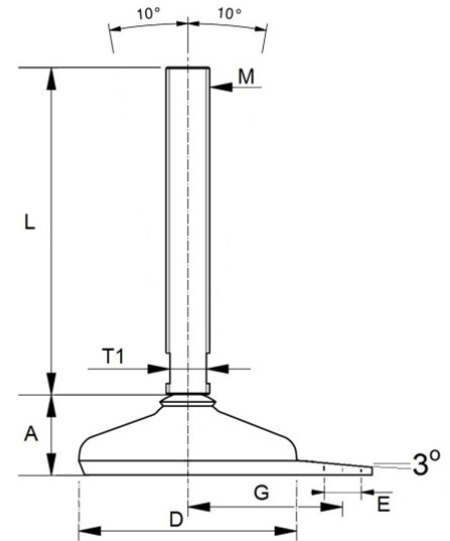
Sanitary leveler in stainless steel

with 1 anchor hole

with black FDA molded rubber beneath the base.

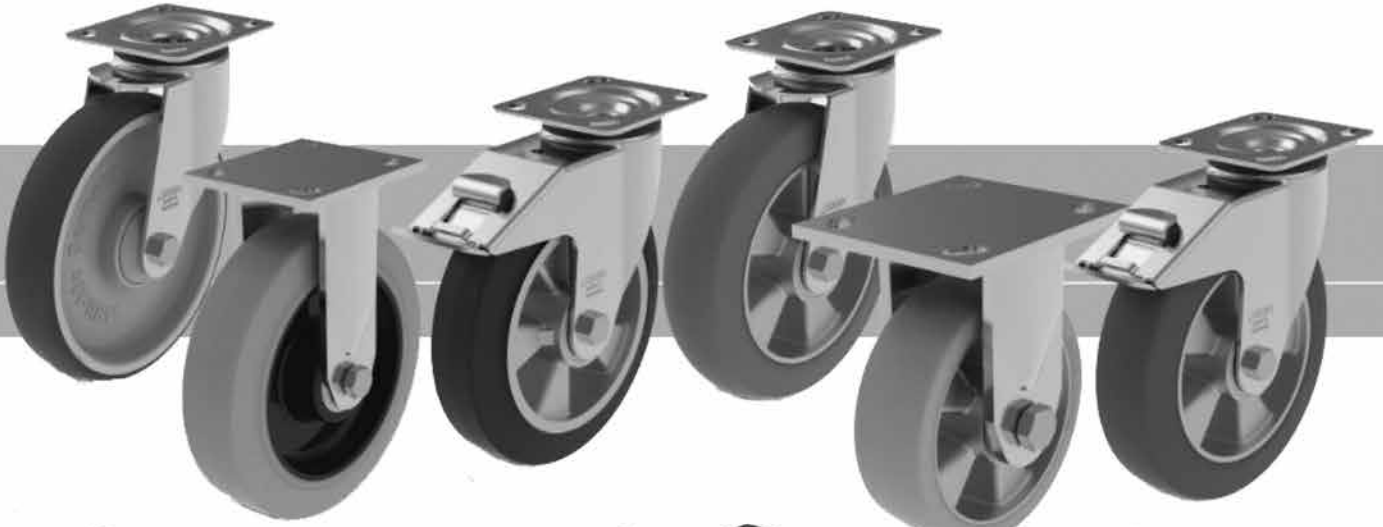
The joint, where the hygienic stainless base plate and A2-70 spindles are assembled, can cope with up to 10 degree slopes on floors and equipment.

The hygienic machine feet are easy to clean and are approved by the food processing industry.



Code	Base D	Thread M	Height L	Base Height A	Lock Eye Hole from Center G	Lock Eye Hole Dia. E	Max. Load
HMF 81-12-6	3.15"	1/2" unc	5.90"	1.24"	2.16"	0.59"	15000N
HMF 81-34-12		3/4" unc	12.20"				
HMF 81-34-6			5.90"				
HMF 81-58-6		5/8" unc	7.90"				
HMF 81-58-8			7.90"				
HMF101-12-6	3.94"	1/2" unc	5.90"	1.38"	2.68"	0.75"	20000N
HMF101-34-12		3/4" unc	12.20"				
HMF101-34-6			5.90"				
HMF101-58-6		5/8" unc	7.90"				
HMF101-58-8			7.90"				

Wheels & Castors



Light duty wheels and castors



Heat resistant wheels and castors



Spring loaded heavy duty castors



Nylon wheels and castors, polypropylene wheels and castors



Wheels and castors with injection-moulded polyurethane tread



Stainless steel castors



Wheels and castors with polyurethane tread softthane



Wheels and castors with polyurethane tread besthane soft

Mounted Bearings

2 Bolt Flange

PA FV polyamide housing

- Housing in reinforced polyamide PA FV resin (black)
- High quality ball bearing in chrome steel
- Protection cover in polypropylene PP (orange or yellow)
- Seal and O-Ring in NBR rubber (black)
- Ball type nickel plated brass greasing nipple
- Reinforcing bushings on mounting holes and washers in stainless steel AISI 304
- Stainless steel AISI 303 safety ring
- Bottom seal in PVC (black).

Continuous operating temperature
In air: -4 to + 140 °F (-20°C to +60°C).
Maximum allowed misalignment: 2°.



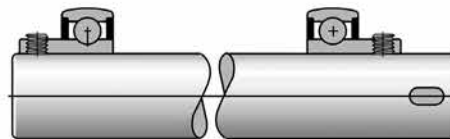
Waterproof housing

The waterproof sealing system guarantees protection of the bearing from the external environment

Inspectable bearing

The clip - on protection cover can be removed for bearing inspection

Locking by grub screws

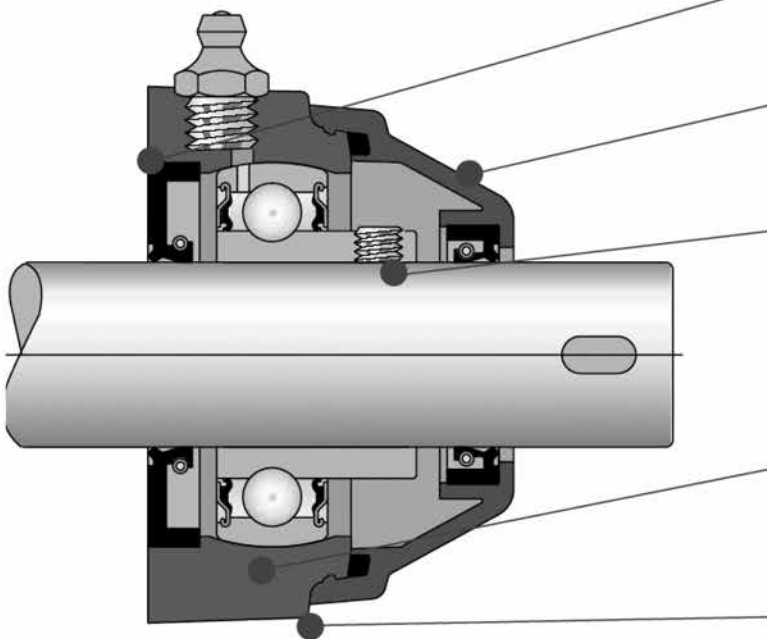


Hygiene

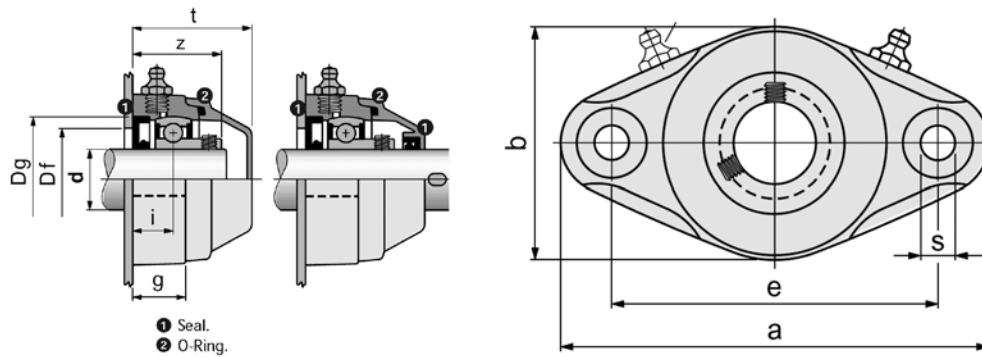
The sealing of the housing guarantees maximum hygiene

ISO dimensions

The overall dimensions can be interchanged with the corresponding cast iron type bearings

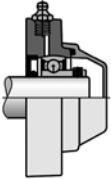
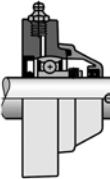



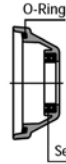


Mounted Bearings



Shaft dia. d	e	a	b	s	g	i	z	t	Dg	Df		Brg load in lbs	
										Min	Max	Dyn.	Stat.
3/4"	3.543	4.567	2.441	0.433	0.787	0.598	1.319	1.811	1.850	1.575	1.772	2249	1394
25mm	3.898	5.118	2.795	0.433	0.886	0.661	1.429	1.949	2.047	1.772	1.969	2249	1394
1"	3.898	5.118	2.795	0.433	0.886	0.661	1.429	1.949	2.047	1.772	1.969	2429	1574
30mm	4.606	5.827	3.346	0.433	1.024	0.787	1.614	2.165	2.441	1.969	2.362	3396	2249
1-1/4"	4.606	5.827	3.346	0.433	1.024	0.787	1.614	2.165	2.441	1.969	2.362	3396	2249
1-1/2"	5.669	6.929	4.016	0.433	1.181	0.906	2.047	2.579	3.150	2.559	3.071	5083	3531

All dimensions are in inches.

Shaft dia. d	Bearings series with black reinforced polyamide housing		Codes for closed covers c/w o'ring		Codes for open covers c/w seal and o'ring	
	Bearing units with seal and orange closed cover	Bearing units with seals and orange open cover	Orange	Yellow	Orange	Yellow
						
3/4"	-	691182	63519	609633	691622	609643
25mm	68523	68533	63194	609653	-	609663
1"	691152	691192	63194	609653	-	609663
30mm	68399	68409	63154	609673	69965	-
1-1/4"	-	-	63154	609673	691582	609683
1-1/2"	-	-	63539	609693	691592	609703

Mounted Bearings

3 Bolt Flange

PA FV polyamide housing

- Housing in reinforced polyamide PA FV resin (black)
- High quality ball bearing in chrome steel
- Protection cover in polypropylene PP (orange or yellow)
- Seal and O-Ring in NBR rubber (black)
- Ball tpe nickel plated brass greasing nipple
- Reinforcing bushings on mounting holes and washers in stainless steel AISI 304
- Stainless steel AISI 303 safety ring
- Bottom seal in PVC (black).

Continuous operating temperature
 In air: -4 to + 140 °F (-20°C to +60°C).
 Maximum allowed misalignment: 2°.



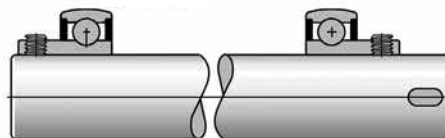
Waterproof housing

The waterproof sealing system guarantees protection of the bearing from the external environment

Inspectable bearing

The clip - on protection cover can be removed for bearing inspection

Locking by grub screws

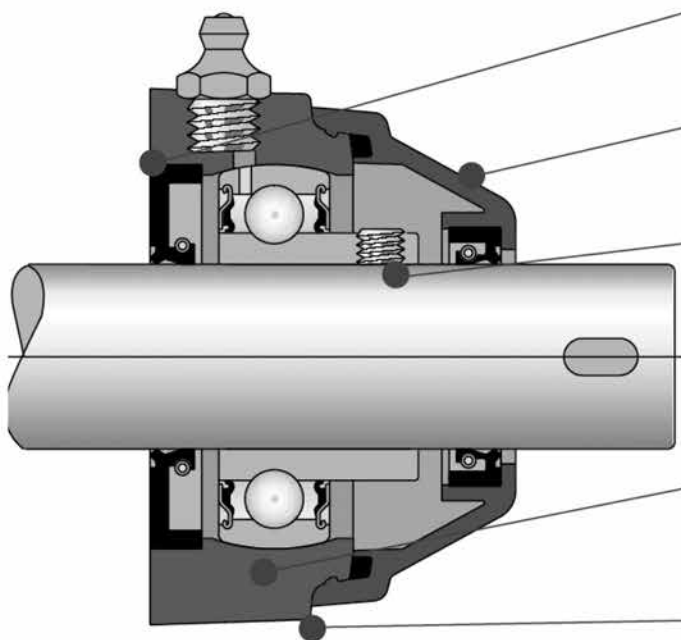


Hygiene

The sealing of the housing guarantees maximum hygiene

ISO dimensions

The overall dimensions can be interchanged with the corresponding cast iron type bearings



3 bolt hole designs:

Type 1



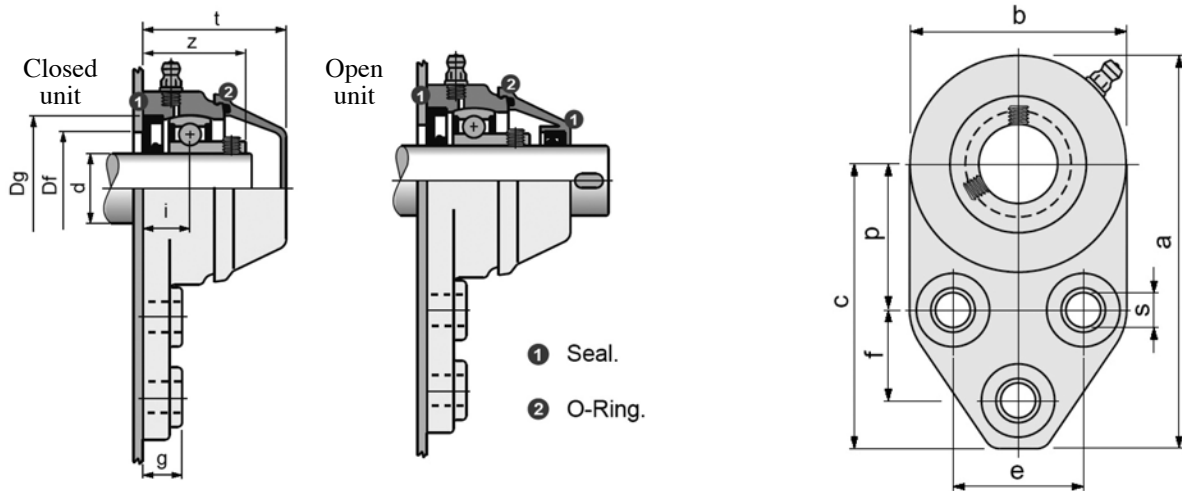
Type 2



Type 3

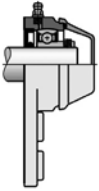
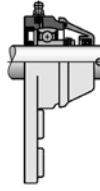



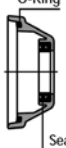


Mounted Bearings



Shaft dia. d	a	b	c	p	e	f	s	g	i	z	t	Dg	Df		Brg load in lbs	
													Min	Max	Dyn.	Stat.
3/4"	4.89	2.71	3.54	1.81	1.63	1.13	0.43	0.55	0.65	1.37	1.93	1.85	1.58	1.77	2249	1394
1"	4.89	2.71	3.54	1.81	1.63	1.13	0.43	0.55	0.70	1.47	2.05	2.05	1.77	1.97	2429	1574
1-1/4"	5.46	3.20	3.85	2.06	1.87	1.25	0.43	0.55	0.79	1.67	2.17	2.44	1.97	2.36	3396	2249
1-1/2"	6.46	3.94	4.49	2.36	1.97	1.22	0.51	0.68	0.87	1.87	2.62	3.15	2.56	3.07	5083	3531

All dimensions are in inches.

Shaft dia. d	Bearings series with black reinforced polyamide housing		Codes for closed covers c/w o'ring		Codes for open covers c/w seal and o'ring	
	Bearing units with seal and orange closed cover	Bearing units with seals and orange open cover	Orange	Yellow	Orange	Yellow
						
3/4"	606213 (3)	606223 (3)	63519	609633	691622	609643
1"	691422N (3)	691442N (3)	63194	609653	-	609663
1-1/4"	691432 (1)	691452 (1)	63154	609673	691582	609683
1-1/2"	606233 (2)	606243 (2)	600882	609713	691602	609723

(1,2,3) number in bracket indicates the bolt hole pattern.

Mounted Bearings

4 Bolt Flange



PA FV polyamide housing

- Housing in reinforced polyamide PA FV resin (black)
- High quality ball bearing in chrome steel
- Protection cover in polypropylene PP (orange or yellow)
- Seal and O-Ring in NBR rubber (black)
- Ball type nickel plated brass greasing nipple
- Reinforcing bushings on mounting holes and washers in stainless steel AISI 304
- Stainless steel AISI 303 safety ring
- Bottom seal in PVC (black).

Continuous operating temperature
In air: -4 to + 140 °F (-20°C to +60°C).
Maximum allowed misalignment: 2°.

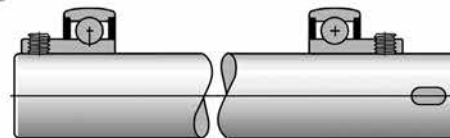
Waterproof housing

The waterproof sealing system guarantees protection of the bearing from the external environment

Inspectable bearing

The clip - on protection cover can be removed for bearing inspection

Locking by grub screws

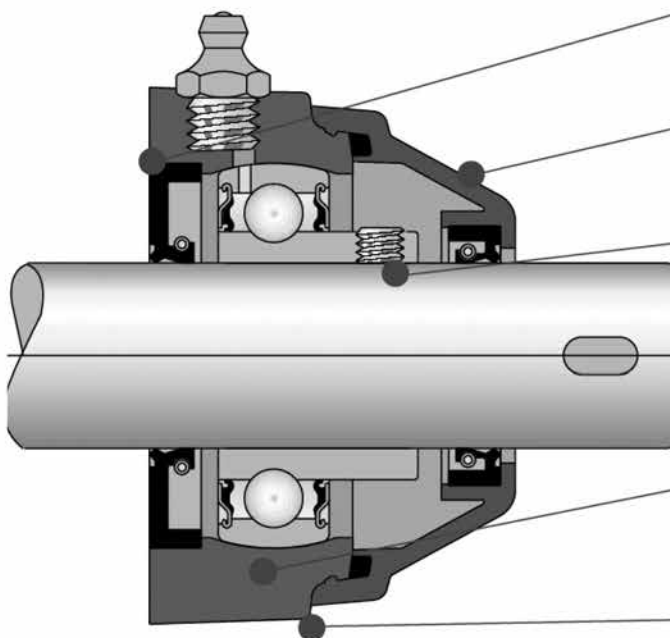


Hygiene

The sealing of the housing guarantees maximum hygiene

ISO dimensions

The overall dimensions can be interchanged with the corresponding cast iron type bearings



Corrosion Resistant Mounted Bearings

White thermoplastic housing with stainless steel bearing insert

Pillow Block



Standard Sizes Available	
Housing	Bore
UCP204	3/4"
UCP205-BS*	1"
UCP206-BS*	1-1/4"
UCP207	1-1/4"
UCP208	1-1/2"

Housings are made with high-grade glass filled thermoplastic polyester and they are completely interchangeable with conventional cast iron housings. These maintenance free housings have excellent mechanical strength, stiffness and dimensional stability.

2 Bolt Flange



Standard Sizes Available	
Housing	Bore
UCFL204-BS*	3/4"
UCFL205-BS*	1"
UCFL206-BS*	1-1/4"
UCFL208	1-1/2"

Yet they never rust or corrode. Where high standards of cleanliness are important, such as in the food and foodhandling industries, their smooth surfaces are much more hygienic than those of cast iron housings whose rough surfaces can harbor objectionable dirt, mold or bacteria.

3 Bolt Flange



Standard Sizes Available	
Housing	Bore
UCFB205-BS*	1"

Inserts are 100% Stainless Steel manufactured from a select grade which has been carefully selected to meet optimal corrosion resistance, long bearing life, rust resistant to scratches and marks. Excellent for use in food processing, beverage, curative and other high-corrosive application.

4 Bolt Flange



Standard Sizes Available	
Housing	Bore
UCF204	3/4"
UCF205-BS*	1"
UCF206-BS*	1-1/4"
UCF207	1-1/4"
UCF208	1-1/2"

AISI440C and AISI304 stainless steel used with food grease and nitrile rubber.
-20°C to +120°C-204-3/4C.

Contact CRS VAMIC for availability and detailed specifications.

* Back seal

ACCESSORIES



Caps

Standard Sizes Available	
Closed Cap	Open Cap
CC-204	OC-204-3/4
CC-205	OC-205-1
CC-206	OC-206-1-1/4
CC-207	OC-207-1-1/4
CC-208	OC-208-1-1/2

Thermoplastic housings are designed to meet particular engineering demands in the food, beverage, pharmaceutical, chemical and photo industries.

They are mainly used to meet critical demands such as frequent wash downs, corrosion resistance, exposure to harsh chemicals and resistance to contaminants.

- High quality reinforced PBT polymer.
- Non-magnetic.



Drum Motors / Features & Benefits

- Assembled in Canada for quick and dependable service
- Premium materials, cast iron internal components
- High alloy quality gears and hermetic sealing
- USDA/FDA approved for sanitary applications
- Zero maintenance (50000 hours oil life)
- Reduced downtime
- Withstands up to 3000 psi washdown
- Energy savings (96% mechanical efficiency)
- Increased operator safety
- No external moving parts
- Noise reduction
- Enhance space utilization
- No external bearings or couplings

The Drum Motor eliminates the external components such as motor, gear box, sprockets, chain, chain guard and pillow block bearings typically seen on conventional drives. All external component maintenance is eliminated by having the electric motor, gear drive and all moving parts of the drum motor enclosed inside the drum. The motor and gears operate in a sealed oil bath enclosure, ensuring proper lubrication and cooling. The drum motor rotates a gear module which transmits power to the outer rotating drum.

The compact low-profile design of the drum motor provides the end user a safer and quieter working environment, space savings, efficiency and reliability with virtually no maintenance. Installation is quick and easy requiring less time to install than exposed conveyor drives.



Other Benefits Include:

- No external moving parts increases operator safety
 - Compact single unit design enhances space utilization
 - 96% mechanical efficiency reduces energy costs
 - No maintenance reduces operating costs
 - Oil change after 50 000 hours of use
- SSV Sanitary Series Drum Motors:**
- Diameters: 4.0, 4.5, 5.0, 6.5 & 8.5 inches
 - HP Range: 0.13 à 7.5 horsepower
 - Speeds from: 1.8 à 1369 ft/min (fixed speeds)



Increase Operator Safety

All external moving parts such as gearbox, chains, motor, chain guard and pillow block bearings that present safety hazards are eliminated.

Lower Energy and Operating Costs

Van der Graaf drum motors operate at 96% mechanical efficiency resulting in lower operating cost compared to conventional drives. The higher efficiency of the internal drive can result in energy savings of up to 30% over conventional exposed-drive conveyors.

Reduce Noise Levels

Our gears are manufactured using high quality alloy steel, machined and honed to AGMA/DIN 6 standards, reducing noise to minimal decibel levels which exceeds OSHA requirements for noise.

Reduce Maintenance and Downtime

Having no external moving components eliminates the need for continual chain adjustment and yearly maintenance. Our motors are virtually maintenance free, requiring only an oil change after 50,000 hours of operation, which can be performed without removing the drum motor from the conveyor.



Van der Graaf Drum Motor



Conventional drive installation

Enhance Space Utilization

Low profile of the drum motor results in a streamline appearance and allows to fit more belt conveyor into less floor or overhead space. Allows higher density and multiple applications.

High Pressure Wash down

Extreme pressure wash down with sanitizer is easily performed without the need to shield sensitive components since the completely sealed drum motor has no external components to protect.

Saniclips

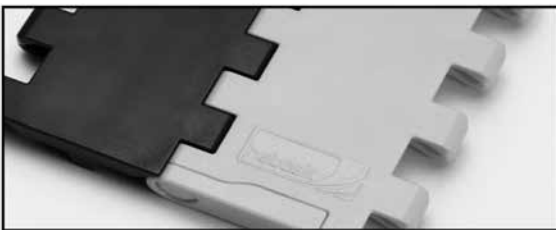
Saniclip solves the problem of time-consuming belt removal and eliminates the need for extraction tools so operators can stay focused on safe sanitation practices.

Saniclip plug can be manually extracted and reinstalled by line operators in a matter of seconds without tools. Plug and rod are combined to prevent accidental plug loss.



- **Reduces downtime**
- **Extracted or installed in seconds**
- **No tools required**
- **Easy to grip edge clip for easy removal and installation in wet or greasy environments**

Cleaning made easy - Quick belt opening

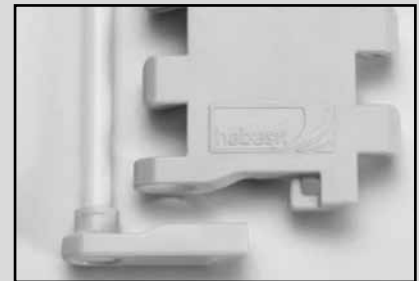


Key features

- Standard Acetal food-approved material
- Highly visible yellow color
- Easy-to-clean, dynamic hinge
- Smart Fit rod retention

Saniclip rod retention system Available for belt series:

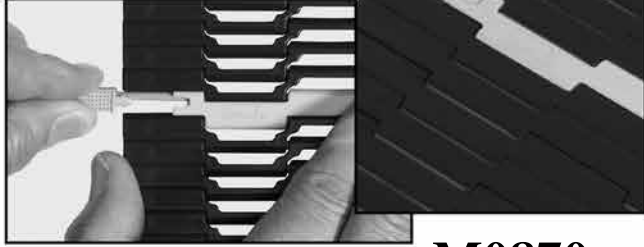
- M08
- M1185
- M25
- M5060
- SM605



Main industries include: Meat, Poultry, Fish, Dairy, Bakery, Confectionery

Saniclips

M0885



0.36" pitch

- Smallest possible 6 mm knife edge transfer with plastic modular belts
- 0.3" (8 mm) belt pitch - smallest pitch with rod technology
- Flat Top smooth belt surface ideal for product transfer and accumulation (M0870)
- Proper alignment of small products
- Elimination of tracking issues
- New easy and quick rod removal for frequent belt sanitation
- 34% open area, and 80% open contact area for cooling and draining (M0885)

M0870

M1185



0.5" pitch

- 0.5" belt pitch
- 50% open area, 82% open contact area for cooling and draining
- Open hinge and Smart Fit rod retention system
- Suitable for nosebar transfer 12.7 mm (0.5")
- New Saniclip system for easy and quick rod removal for frequent belt sanitation

M1065

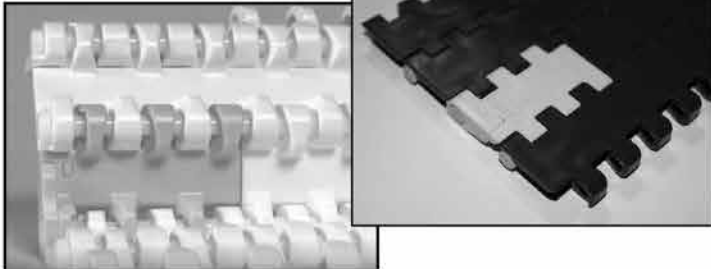
SM605



0.5" pitch

- Edge module 2" (50.8 mm)
- 30% open area
- Closed hinge
- Snap-Fit rods, diameter 4.4 mm (0.17")
- Standard POM (Acetal) food-approved material
- Highly visible yellow color

M25 series

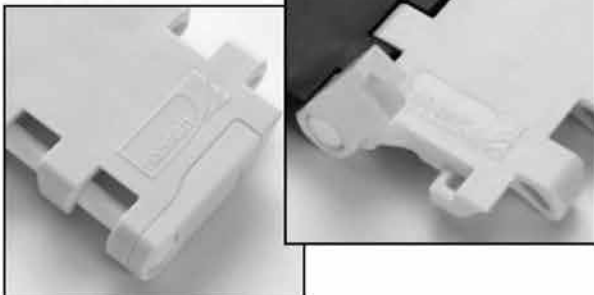


1" pitch

Available for:

- M2510 Flat Top
- M2511 Mesh Top
- M2514 Nub Top
- M2533 Flush Grid 35% open area
- M2540 Radius
- Rod diameter (5 mm)
- Food approved materials available

M5060

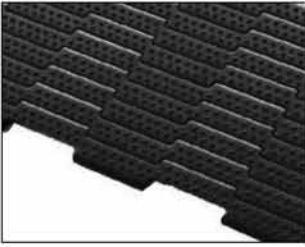


2" pitch

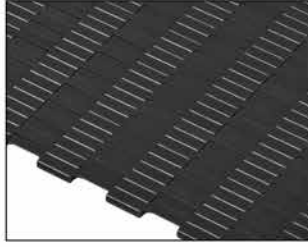
- 6" edge module width (152 mm)
- 0% open area
- Easy-to-clean, dynamic open hinge
- Strong link design (1" link-pitch)
- 7-millimeter Snap-Fit rods (0.27")
- Smart Fit rod retention
- Food-approved acetal material

Modular Belts

0.3" pitch



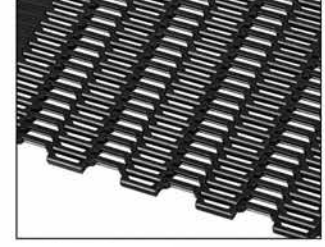
M0863
Cone Top



M0870
Micropotch Flat Top

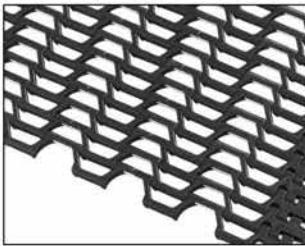


M0873
Micropotch Non Slip



M0885
Flush Grid

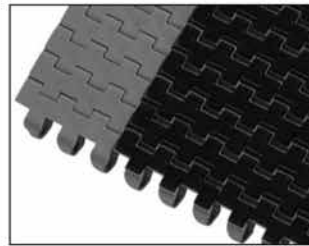
0.5" pitch



M1185
Flush Grid



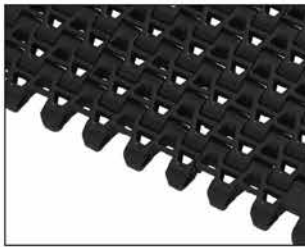
M1220
Flat Top



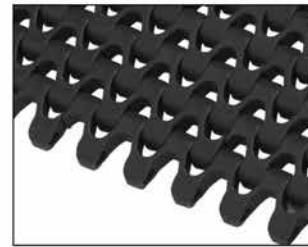
M1220
Grip Top



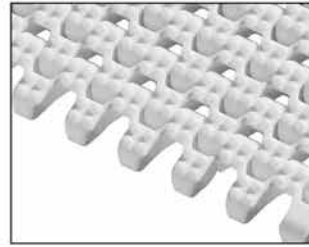
M1220
ActivXchange



M1230
Flush Grid



M1233
Flush Grid



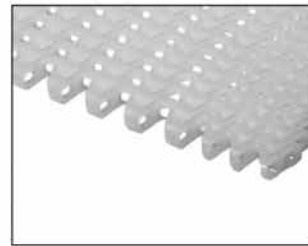
M1234
Flush Grid Nub Top



M1280
Flush Grid



M1280
ActivXchange



RS501/RS515
Tight Turn Radius Flush
Grid/Curved Top



SM605
Smooth Mesh



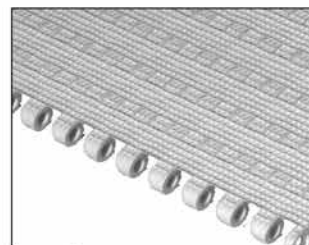
SM605
Grip Top



CM605
Curved Mesh

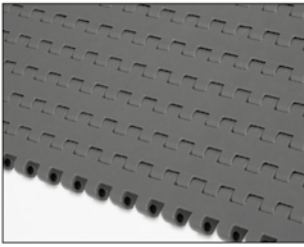


HDS605
Flat Top

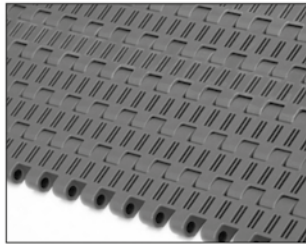


HDS605
HDS Texture Top

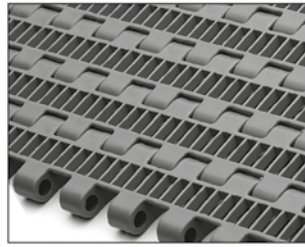
0.75" pitch



106
Flat Top

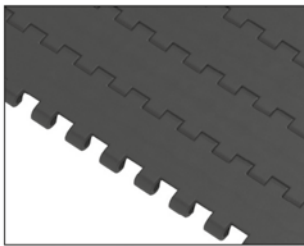


106
Mesh Top 10% Open

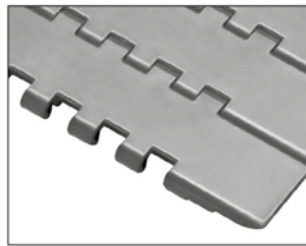


106
Mesh Top 22% Open

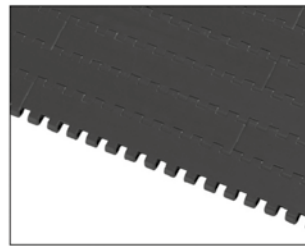
1" pitch



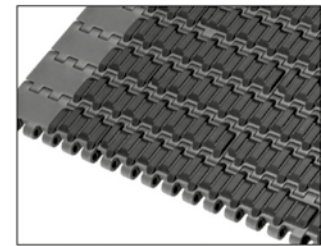
M2420
Flat Top



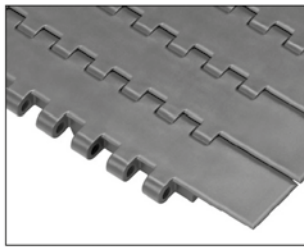
M2420
ActivXchange



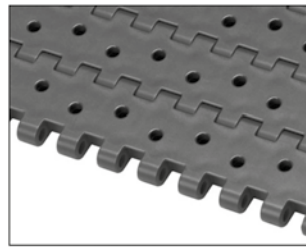
M2470
Flat Top



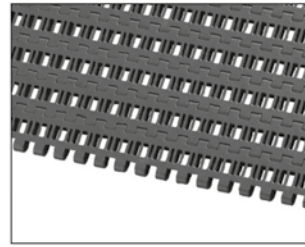
M2470
Grip Top



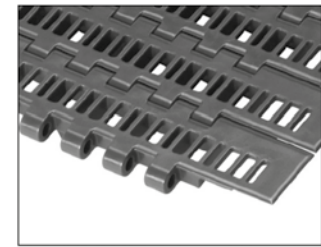
M2470
ActivXchange



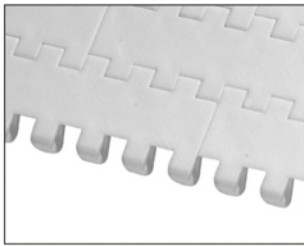
M2472
Perforated Flat Top



M2480
Flush Grid



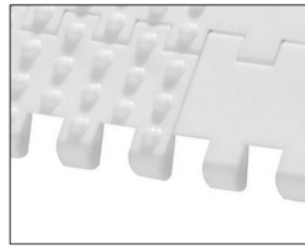
M2480
ActivXchange



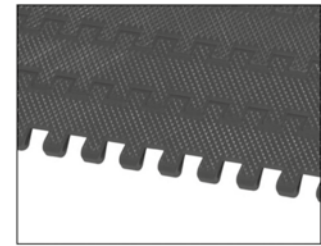
M2510
Flat Top



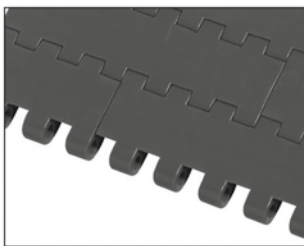
M2511
Mesh Top



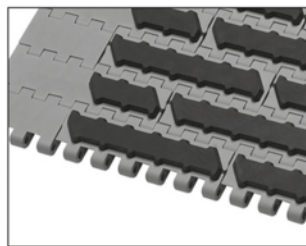
M2514
Nub Top



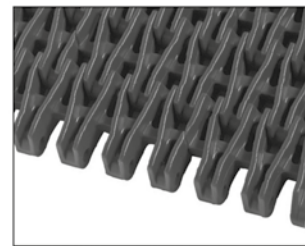
M2516
Diamond Top



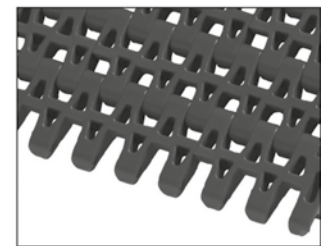
M2520
Flat Top



M2520
Grip Top



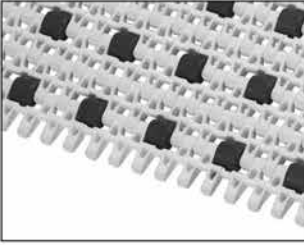
M2531
Raised Rib



M2533
Flush Grid

Modular Belts

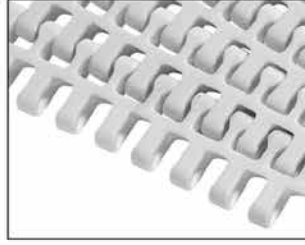
1" pitch



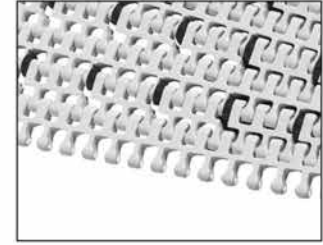
M2533
Roller Top



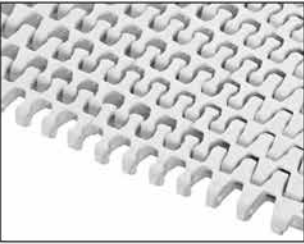
M2540
Radius Grip Top



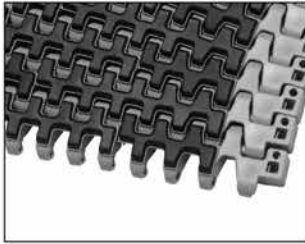
M2540
Radius Flush Grid



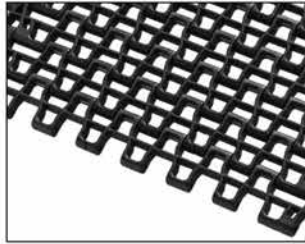
M2540
Roller Top



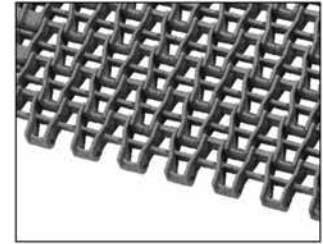
M2544
Tight Radius



M2544
Radius Grip Top



M2585
Flush Grid



M2586
Raised Rib



M2620
Flat Top Heavy Duty



M2620
Grip Top



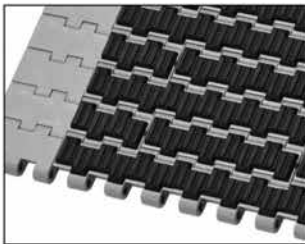
M2620
Roller Top LBP



M2623
Non Slip



M2670
Flat Top Heavy Duty



M2670
Grip Top



M2670
ActivXchange



IS610
Radius Flush Grid



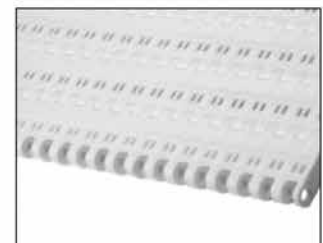
CT610
Curved Top



IS610
Grip Top

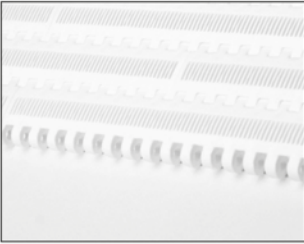


ST610
Flat Top

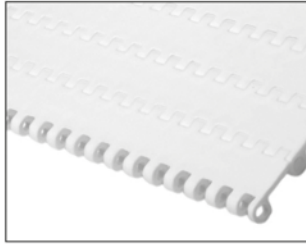


VT610
Vented Top

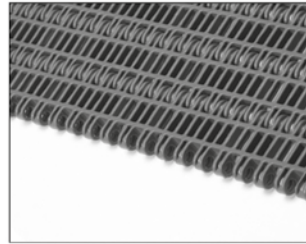
1" pitch



HDS610
Curved Vented Top

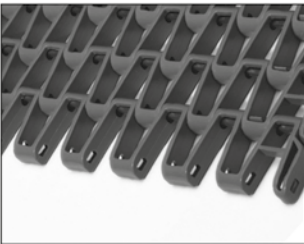


HDS610
Flat Top



208
Flush Grid 35% Open

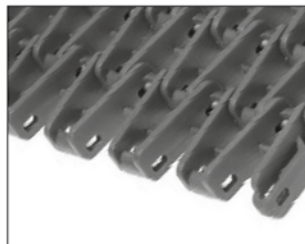
1.1" pitch



F51
1/2" X 1" Flat Wire

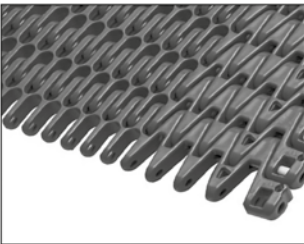


F52
1/2" X 1/2" Flat Wire
Smart Fit

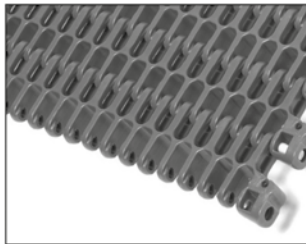


F53
1/2" X 1/2" Raised Rib

1.2" pitch



PR612 1.6
Radius Flush Grid Tight Turn



PR612 2.2
Radius Flush Grid

1.3" pitch



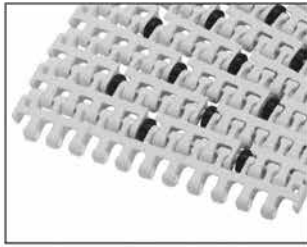
M3398
Radius Flush Grid CT

Modular Belts

1.5" pitch



M3840
Radius Flush Grid



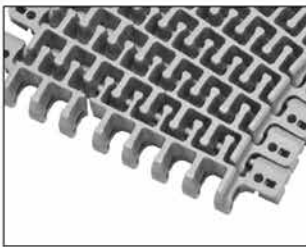
M3840
Roller Top



M3843
Tight Radius



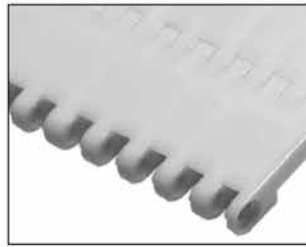
M3843
Tight Radius Grip Top



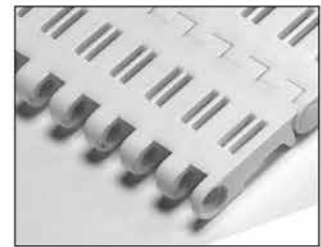
M3892
Raised Deck
Radius



IS615
Radius Flush Grid



ST615
Flat Top



VT615
Vented Top

1.75" pitch

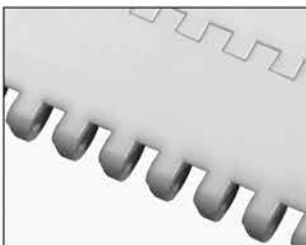


CC41
Flat Top

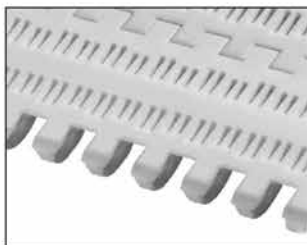


CC42
Vented Top

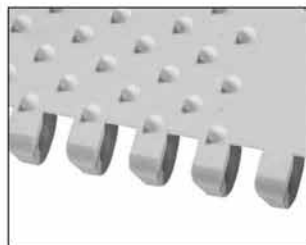
2" pitch



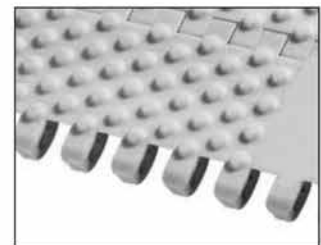
M5010
Flat Top



M5011
Perforated Flat Top

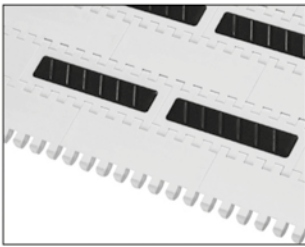


M5013
Cone Top

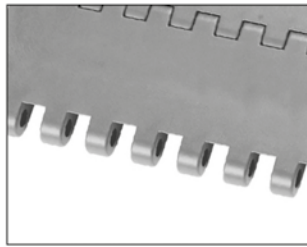


M5014
Nub Top

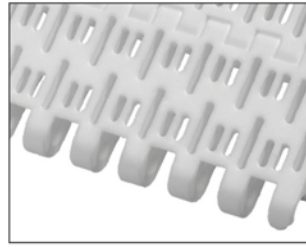
2" pitch



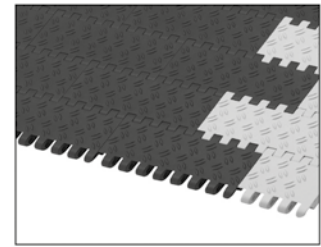
M5015
Grip Top



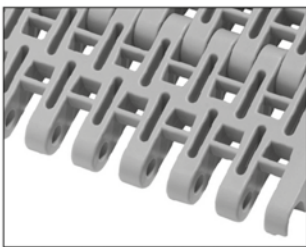
M5020
Flat Top Heavy Duty



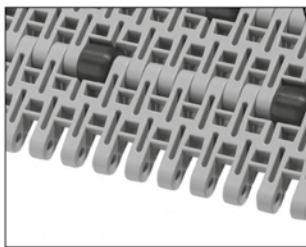
M5021
Perforated Flat Top



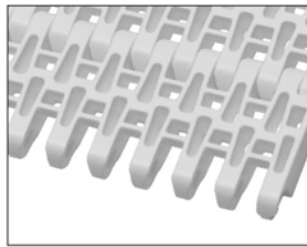
M5023
Non Slip



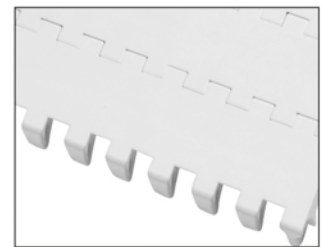
M5032
Flush Grid



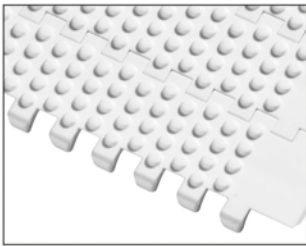
M5032
Roller Top



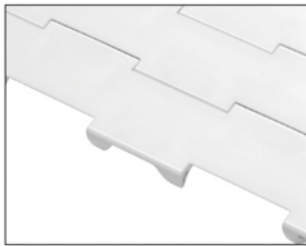
M5033
Flush Grid



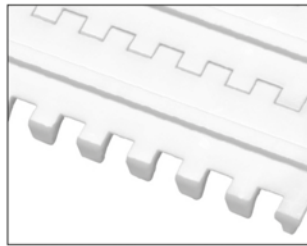
M5060
Flat Top



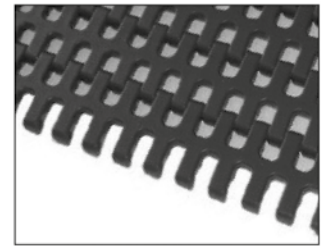
M5064
Nub Top



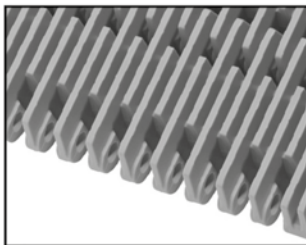
M5065
HyCLEAN Flat Top



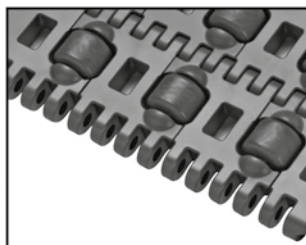
M5067
Minitib



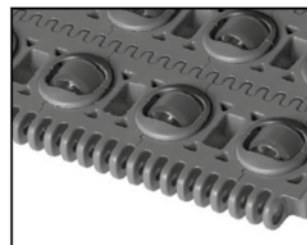
M5085
Flush Grid



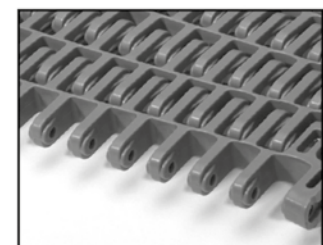
M5131
Raised Rib



M5182
Transverse Roller Top



M5482
Roller Top 2.2"



IS620/SP620
Radius Flush Grid



HDU620
Flat Top



HDU620
Curved Top



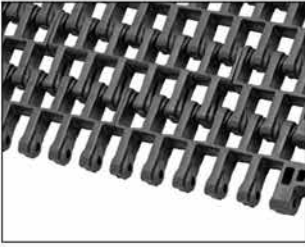
HDU620
Vented Top



FF620
Fluid Flo

Modular Belts

2" pitch



SE620
Flush Grid



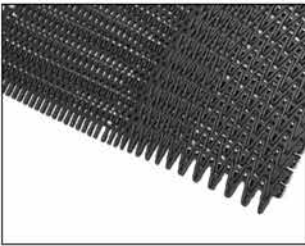
PR620
Spiral Pro



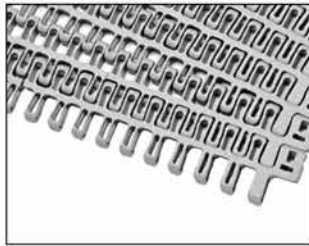
PR620 SPS
Spiral Pro
Small Product Surface



PR620 SPS
Spiral Pro
Small Product Surface Curve
Top

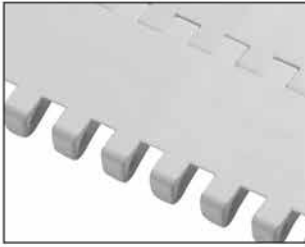


PR620
Spiral Pro
Tight Turn Radius



M5293
Radius Flush Grid
Tight Turn

2.5" pitch



M6360
Flat Top



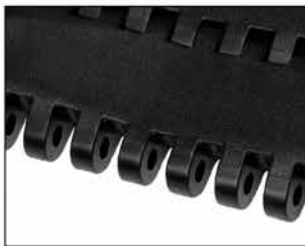
M6420
Flat Top



M6423
Non Slip



M6424
Perforated Non Slip



M6425
Reel Top MTW

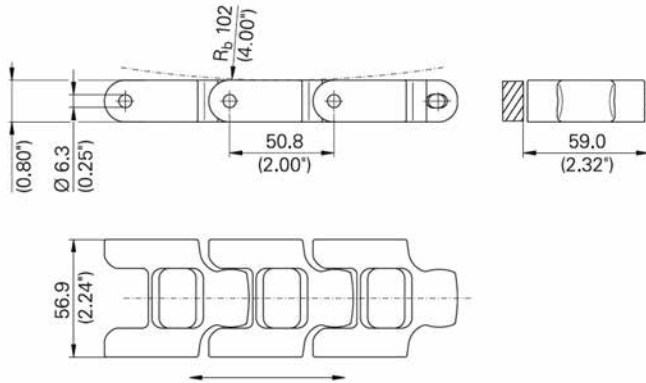
Conveyor Chains

Chain offered in Acetal (POM) or Nylon.

Case Conveyor Chains N1200-S



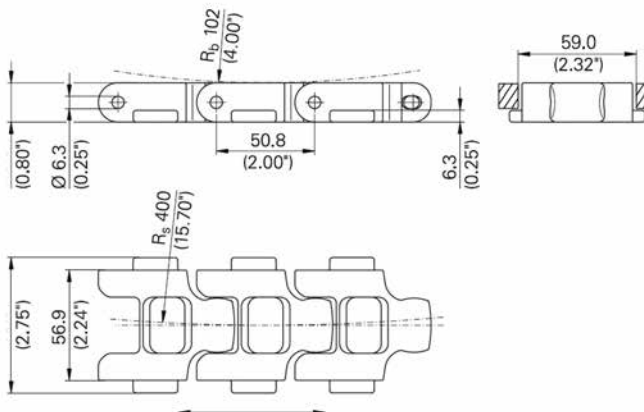
Straight



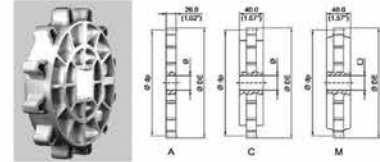
Case Conveyor Chains N1200-R



Radius



Machined or Molded Sprockets available



Chain guides for Straight or Radius Conveyors (see page 13)



N92000S



N92000R

Chain attachment and accessories

N1200-HRP



N1200K2

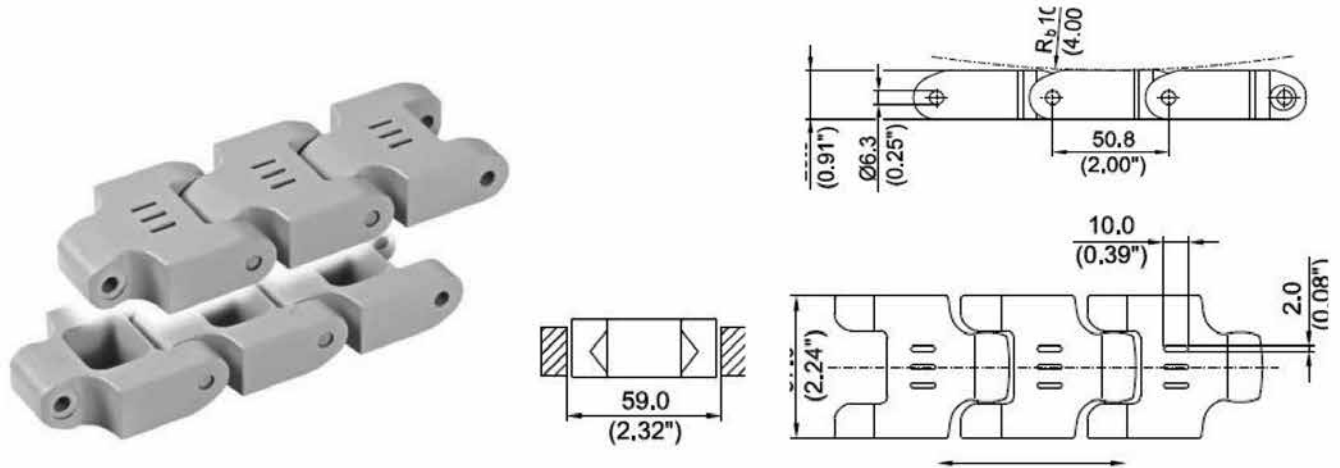


N1200K1



Conveyor Chains

Chain 1201



Quick Release Chain Link



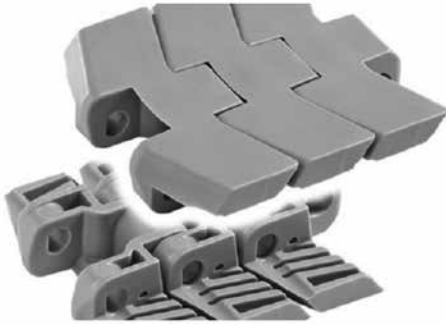
This innovative link features the following:

- Quick-release design for easy disassembly /assembly of the 1201 case chain
- Perforated flat top design
- Tapered slots to reduce trapping of conveyed product
- Safety-conscious design for pinch protection
- Bi-directional travel
- Highly visible **yellow color**
- Standard POM (Acetal) module material with foodgrade stainless steel rods



Special Application Chains

Bottling Chain C1061M Series



Magnetic

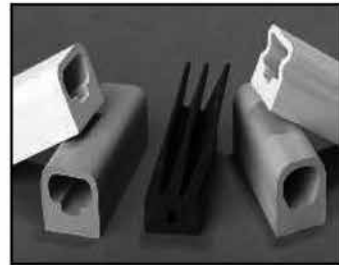
Description

Slat top C1061M is a 1» pitch radius and straight running chain with the width of 3.3" (83.8mm). Top plate thickness 8.7mm. The chain will be held down in the curve by a magnetic corner track, that will interact with the magnetic steel pin in the chain. Use C1061M for side transfer with the modular belt types M2420 - M2470 flat top.

Grip Top Chain 1873



Replacement Grippers
(Available in many
compounds and colors)



D - Style



3 Finger - Style



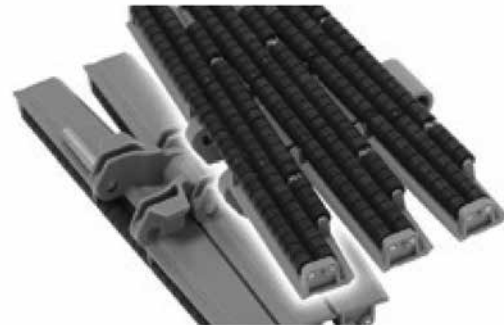
Soft Touch - Style

Chain with Roller Top Surface



LBP-821 is a straight running roller top chain with low noise accumulation rollers.

The widths available are:
7.5", 10" and 12".



LBP-882-Tab is a sideflexing chain with low noise accumulation rollers, for curve applications.

The widths available are:
7.5", 10" and 12".

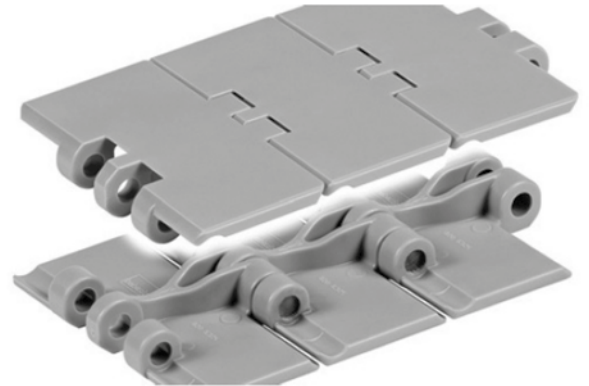
Conveyor Chains

Standard material is brown low friction acetal with stainless steel rods. Other materials, colors or pin materials available on request.

Slat Top 820

Description

Slat Top 820 is a standard duty straight running plastic chain. Top plate thickness 4mm. Applications include packaging and bottling lines. Use 820 series for side transfer with 770, 880 or 890 series radius chains.



Straight

Slat Top 880T

Description

Slat Top 880T is a tabbed standard duty radius and straight running plastic chain. Top plate thickness 4mm. Applications include general conveyance, packaging and empty container handling. Use 880T series for side transfer with 820 series straight chains.

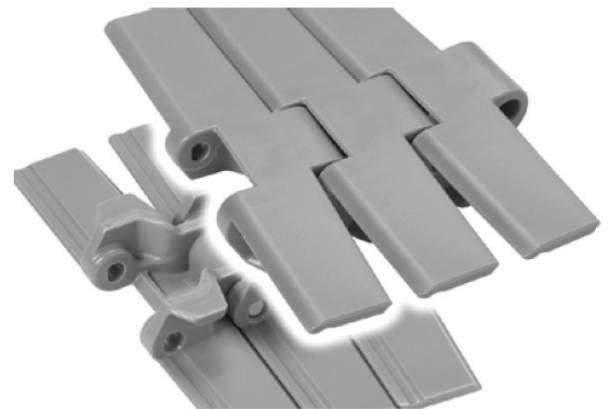


Radius

Slat Top 882T

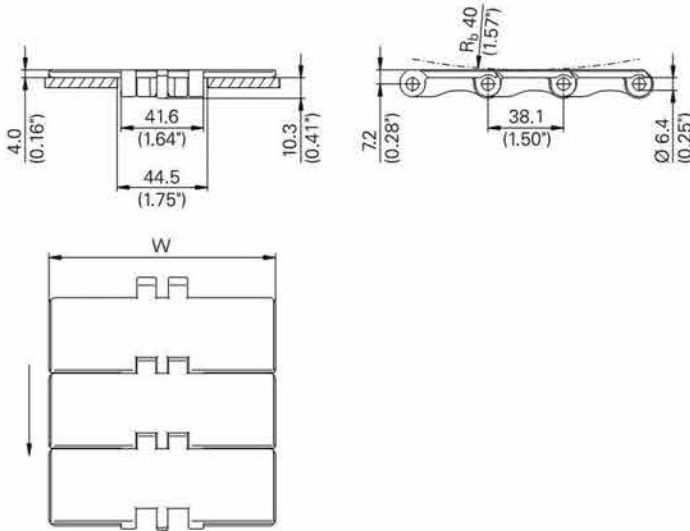
Description

Slat Top 882T is a tabbed heavy duty radius and straight running plastic chain. Top plate thickness 4.8mm. Applications include general conveyance, packaging and bottling. Use 882T series for side transfer with 821 series straight chains.

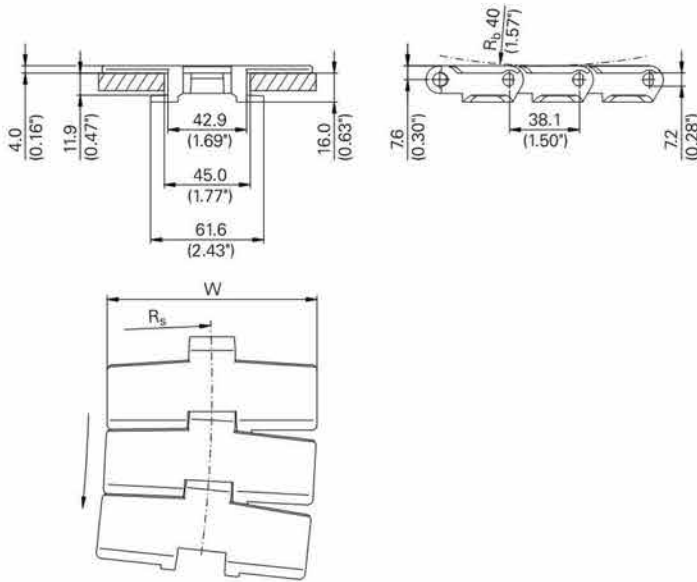


Radius

Conveyor Chains



Code	Width
820 LF 325	3-1/4
820 LF 400	4
820 LF 450	4-1/2
820 LF 600	6
820 LF 750	7-1/2



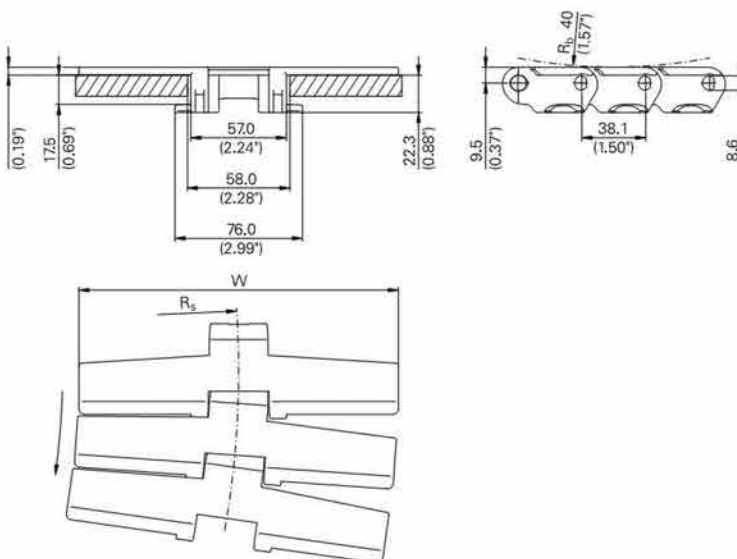
Code	Width
880TAB LF 325	3-1/4
880TAB LF 450	4-1/2
880TAB LF 750	7-1/2

Standard style offered is Tab.
Bevel style also offered on request.

OPTIONS

Carbon steel and stainless chains for straight or radius applications.

Grip top surface chains with molded over rubber to help carry product up inclined conveyors.



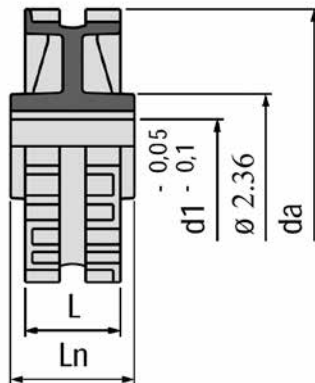
Code	Width
882TAB LF 450	4-1/2
882TAB LF 750	7-1/2
882TAB LF 1000	10
882TAB LF 1200	12

Standard style offered is Tab.
Bevel style also offered on request.

Split Sprockets

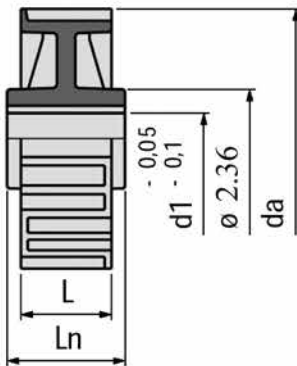
Material: Sprocket in reinforced polyamide (black).
Bolts in stainless steel AISI 304, nuts in nickel plated brass.

820



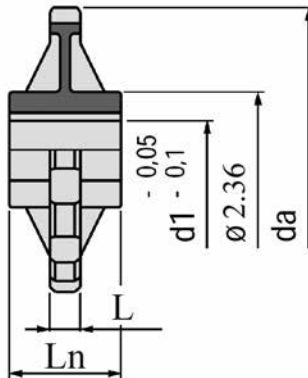
Chains #820, 831, 810, 812, 815

810, 812, 815



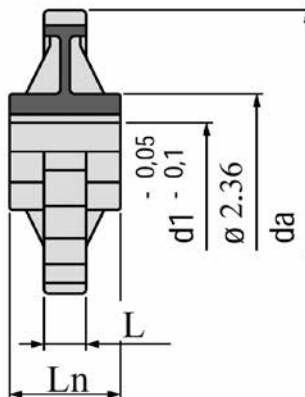
Chains #810, 812, 815, 881M

880, 880



Chain #880-TAB

882, 882



Chain #882-TAB

Split Sprockets

Part #	# Teeth	da	L	Ln	Bore d1
820-611102	19	4.62	1.58	1.58	Machined, stockbore
820-664391	21	5.09	2.01	2.05	1
820-664411	21	5.09	2.01	2.05	1-1/4
820-662741	23	5.59	2.01	2.05	1
820-662761	23	5.59	2.01	2.05	1-1/4
820-665611	25	6.07	2.30	2.13	1
820-665631	25	6.07	2.30	2.13	1-1/4
820-697091	25	6.07	2.30	2.13	1-1/2

Part #	# Teeth	da	L	Ln	Bore d1
815-600000	19	4.62	1.58	1.58	stockbore
815-663931	21	5.09	2.01	2.05	1
815-663991	21	5.09	2.01	2.05	1-1/4
815-665411	25	6.07	2.30	2.13	1
815-665451	25	6.07	2.30	2.13	1-1/4
815-665491	25	6.07	2.30	2.13	1-1/2

Part #	# Teeth	da	L	Ln	Bore d1
880-663201	12	5.80	0.625	2.30	1
880-663241	12	5.80	0.625	2.30	1-1/4
880-617553	12	5.80	0.625	2.30	1-1/2

*Idler not available

Part #	# Teeth	da	L	Ln	Bore d1
882-663601	12	5.90	0.874	2.30	1
882-619072	12	5.90	0.874	2.30	1-1/4
882-619082	12	5.90	0.874	2.30	1-1/2

*Idler not available

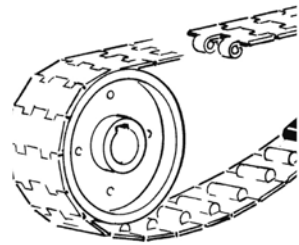
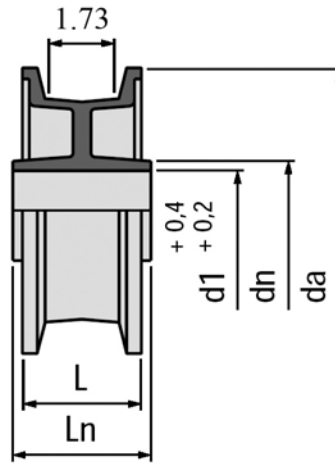
Idlers

Material: Idler in reinforced polyamide (black).
Bolts in stainless steel AISI 304, nuts in nickel plated brass.

810, 812, 815, 820



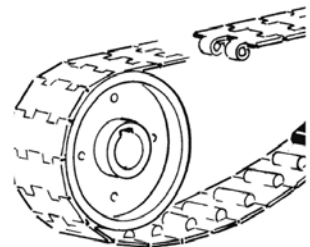
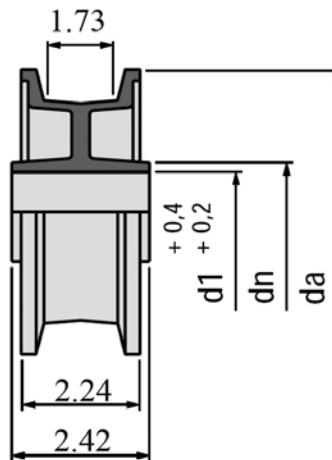
Solid



810, 812, 815, 820



Split



Multi-Hub Split Sprockets



Description

Habachain offers a new type of modular split sprockets and split idlers called Multi-Hub. Interchangeable hub inserts in various diameters with or without keyway and sprocket, or idler rims, reduce the inventory needed by customers.

The fabrication accuracy ensures long lifetimes and optimized power transmission.

Material

Molded black polyamide with stainless steel hardware. Split hub inserts sold separately for split rim sprockets.

Idlers

Part #	# Teeth	da	dn	L	Ln	Bore d1
820-619132	21	5.12	1.40	2.36	2.42	1
820-688801	21	5.12	1.64	2.36	2.42	1-1/4
820-661761	25	6.08	1.64	2.36	2.42	1-1/4

Part #	# Teeth	da	dn	Bore d1
820-619152	21	5.12	1.58	1
820-619162	21	5.12	1.97	1-1/4
820-655612	25	6.08	1.58	1-1/4
820-604386	25	6.08	1.97	1-1/2

Multi-Hub Split Sprockets



Split Multi-Hub Inserts

Offered in the bore sizes, with or without keyway:

Metric: 25, 30, 35, 40mm round

Imperial: 1, 1.18, 1.25, 1.43, 1.5 round, 1.5 square.

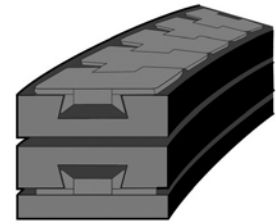
Sprocket-Rims



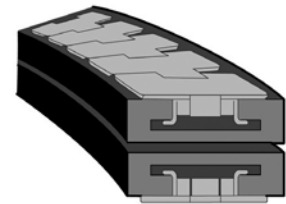
Corner Tracks

Materials

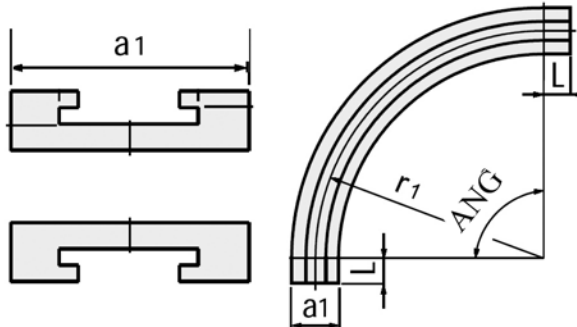
- Black repro uhmw:** economical, wear resistant, Coef. 0.15/0.20
- Nylon MD:** high speed, long conveyors, heavy loads, Coef. 0.20
- Dry Lube:** wear resistant, no lubrication required, Coef. 0.10
- Oil filled:** Sticky, releases oil with friction, Coef. 0.06/0.12



Bevel



TAB



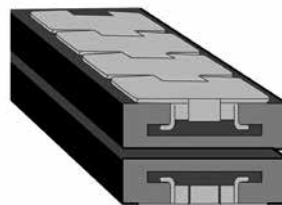
HOW TO ORDER Specify:

- | | | |
|--------------------------|------------------|-----------------|
| - Chain Type and width | Ex: #880, 4-1/2" | Ex: #882, 10" |
| - Style (TAB/Bevel) | Ex: Tab | Ex: Tab |
| - Radius dimension* (r1) | Ex: 24" | Ex: 36" |
| - Number of lanes | Ex: Double lane | Ex: Single lane |
| - Angle** (ANG) | Ex: 45° | Ex: 90° |
| - Material | Ex: Black uhmw | Ex: Nylon |
| - Width of track (a1) | Ex: 5-1/2" | Ex: 11" |
| - Tangent (L) | Ex: None | Ex: 2" |

*Radius from the center of the track

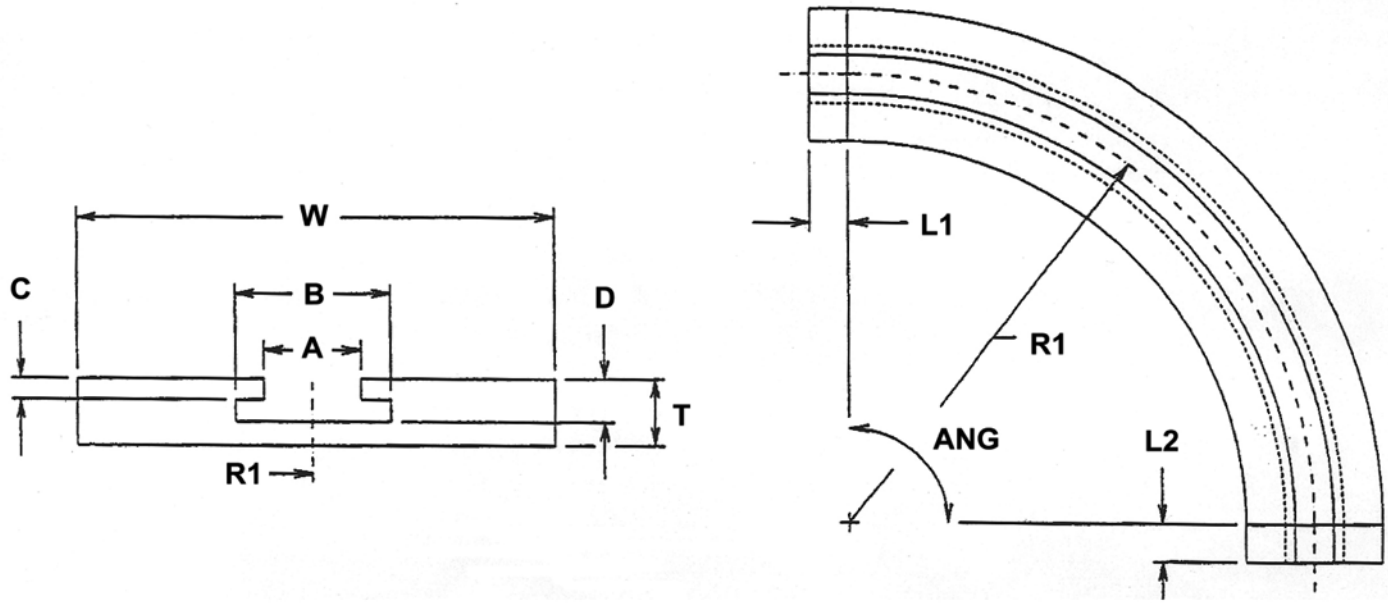
**Standard measurement is 0.5" more on each side of the chain

Straight Tracks



Straight tracks are also available.
Please specify length required.

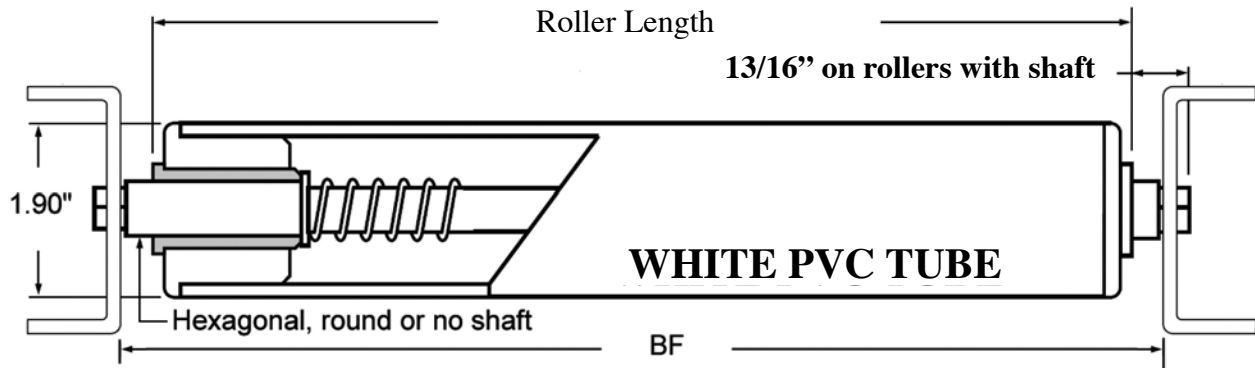
Corner Tracks



Example chaîne 880:

Drawing Dimensions				Customer Name:	Custom 880Tab
ANG		W		Address:	
R1					
L1					
L2					Phone:
A	1-25/32"			Fax:	CRS Vamic 235 av. Liberté Candiac, QC, Canada J5B 1Y1 Tel: 450-638-5541 Tel: 800-895-5548 Fax: 450-638-5926
B	2-3/4"			Contact:	
C	3/8"	Chain	881/880 Tab	Date:	
D	23/32"	Material:			
T	1"	Other:		Quantity:	

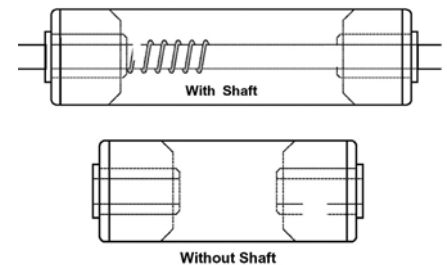
PVC Rollers – Type 1



Available with or without spring loaded shaft. Leave shaft information out of the part number.

Material:

- PVC Tubing **1.90" outside diameter white**
- **ABS End Plugs**
- UHMW Inserts (400 rpm max / 160lbs max) now standard.
- Stainless Steel (Shaft + Hex Adaptors + Spring)



Example how to order:

SHAFT SIZE	SHAFT material	TUBE SIZE	PLUG MATERIAL	BETWEEN FRAME SIZE
1/2	S.S.	1540	U	B.F.
1/2" round 5/8" round 7/16" hexagonal	Stainless Steel	1-1/2" Schedule 40	UHMW	Between Frame size in inches, roller is 1/8" shorter than B.F. Shaft extends 13/16" on each side

ACCESSORIES SOLD SEPARATELY



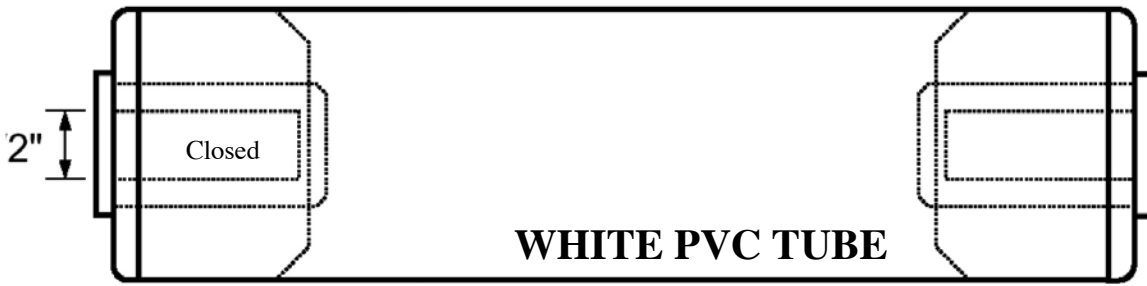
White PVC roller end plugs with UHMW inserts

RE-U-1540-12: 1-1/2" sch40 pipe, 1.90" od, 1/2" open bore

RE-U-1540-58: 1-1/2" sch40 pipe, 1.90" od, 5/8" open bore

*For hexagon plug 7/16»

PVC Rollers - Type 2



Primarily designed for belt driven conveyors where **cleanliness** is required. This roller is fitted with blind bore sleeve to suit a stainless steel stub shaft.

Material:

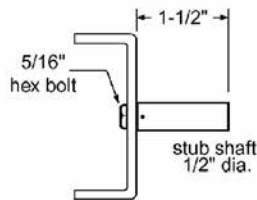
- PVC Tubing **1.90" outside diameter white**
- **ABS end plugs**
- UHMW Inserts (400 rpm max / 160lbs max) now standard.

Example how to order:

SHAFT SIZE	BLIND Bore	TUBE SIZE	PLUG MATERIAL	BETWEEN FRAME SIZE
1/2	B	1540	U	B.F.
1/2" round		1-1/2" Schedule 40	UHMW	Between Frame size in inches, roller is 1/4" shorter than B.F.

ACCESSORIES SOLD SEPARATELY: CONVEYOR ROLL PINS

Stub shaft available with flats:



Stainless steel stub shafts

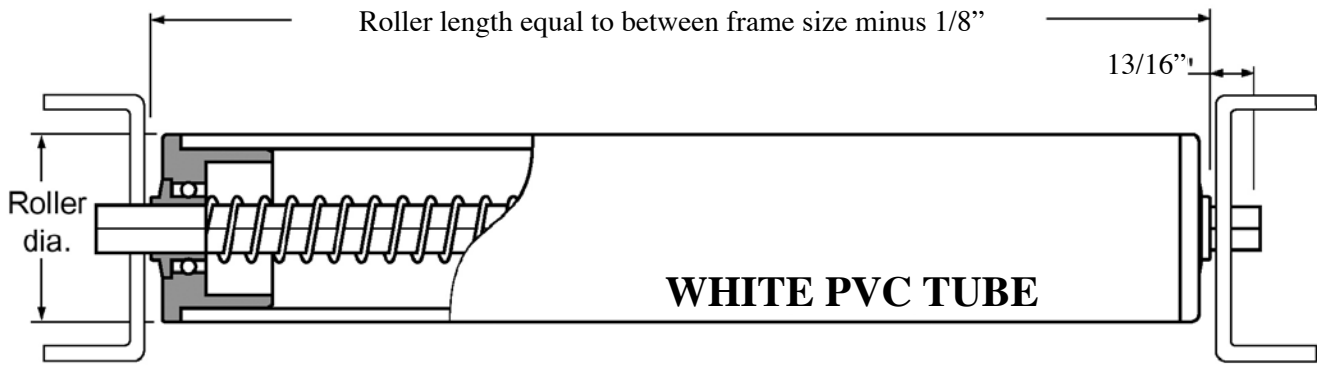
BP0824SS-FLAT (Standard): 1/2" dia. x 1-1/2" lg with 5/16" unc thread (with 2 flats to hold in place) (Standard)



White PVC roller end plugs with UHMW inserts

RE-U-1540-12B: 1-1/2" sch40 pipe, 1.90" od, 1/2" blind bore

PVC Rollers - Type 3

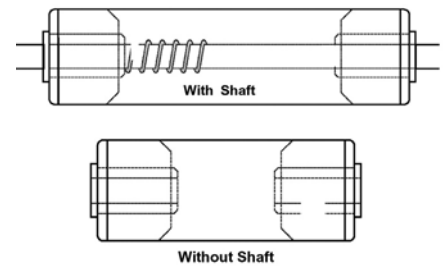


Primarily designed for **gravity** conveyors to provide a reliable means of transporting products in a clean, corrosive free environment.

Available with or without spring loaded shaft.
Leave shaft information out of the part number

Material:

- White PVC Tubing
- **ABS Ball Bearing with 420 s.s. balls (blue color)**
- Stainless Steel (Shaft + Spring)



Example how to order:

SHAFT SIZE	SHAFT material	TUBE SIZE	PLUG MATERIAL	BETWEEN FRAME SIZE
1/2	S.S.	1540	U	B.F.
1/2" round 1/4" round 7/16" hexagonal	Stainless Steel	1-1/2" Schedule 40	UHMW	Between Frame size in inches, roller is 1/8" shorter than B.F. Shaft extends 13/16" on each side
		BB0540 (1/2" schedule 40) 13/16" dia. Standard shaft: 1/4" round		
		BB1540 (1-1/2" schedule 40) 1.90" dia. Standard shaft: 7/16" hexagonal		

ACCESSORIES SOLD SEPARATELY



Blue PVC roller end with ball bearings

- BB0540:** 1/2" sch40 pipe, 13/16" od, with 1/4" round bore
- BB1540:** 1-1/2" sch40 pipe, 1.90" od, with 7/16" hex bore

PVC Rollers Accessories



White PVC pipe

0540PW: 1/2" sch40 pipe, 13/16" od

1540PW: 1-1/2" sch40 pipe, 1.90" od



Blue PVC roller end with ball bearings

BB0540: 1/2" sch40 pipe, 13/16" od, with 1/4" round bore

BB1540: 1-1/2" sch40 pipe, 1.90" od, with 7/16" hex bore



White PVC roller end plugs with UHMW inserts

RE-U-1540-12: 1-1/2" sch40 pipe, 1.90" od, 1/2" open bore

RE-U-1540-12B: 1-1/2" sch40 pipe, 1.90" od, 1/2" blind bore

RE-U-1540-58: 1-1/2" sch40 pipe, 1.90" od, 5/8" open bore



Stainless steel stub shafts

BP0824SS-FLAT: 1/2" dia. x 1-1/2" lg with 5/16" unc thread
(with 2 flats to hold in place) (Standard)



Roller end plug with spring loaded stub shaft

D2077: 1-1/2" sch40 pipe, 1.90" od, 5/16" unc fem thread

- Nut and washer included in assembly
- Mounted on ball bearings

Sanitary Hose Assemblies

WHY CHOOSE RESEAL® ?

SANITARY

In addition to the cost saving advantages through its reusable feature, ReSeal® meets the stringent sanitary requirements of all critical processing industries such as dairy, food, beverage, cosmetics, personal hygiene, cleaning aids and lab instrumentation.

Patented ReSeal® fittings meet 3-A sanitary standards - the highest in these critical processing industries. The precisely engineered full flow smooth bore and compression seal design ensures a 360° seal on the stem, hose and sleeve junction points, eliminating areas where material can accumulate and bacteria can grow.

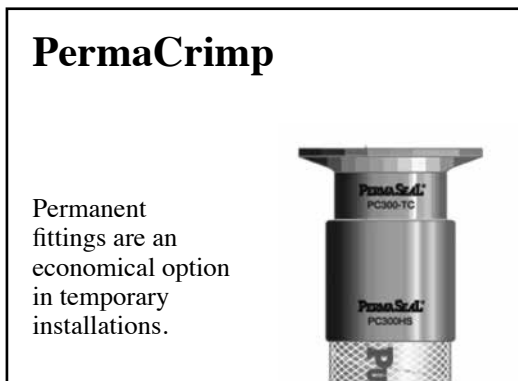


INSPECTABLE

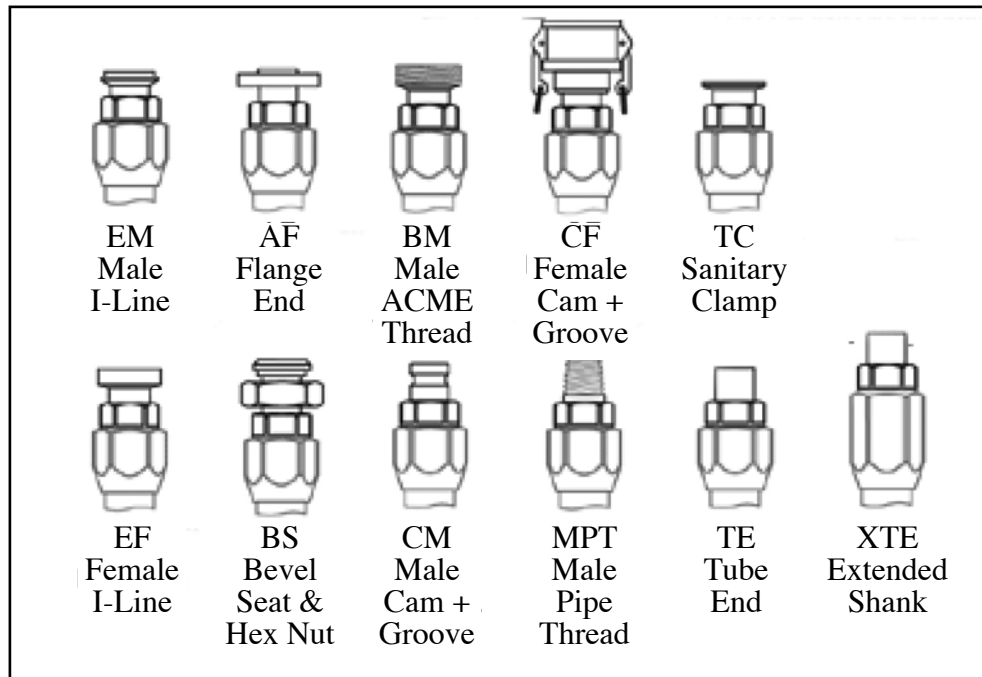
ReSeal® fittings are a maintenance crew and inspector's dream. They can be taken apart for easy thorough inspection, then reassembled, eliminating the need to cut up the whole hose assembly and throw away expensive stainless steel ends along with the hose!

CLEANABLE

The faster you can clean a sanitary hose assembly, the faster you can restart your operation. ReSeal® fittings are designed for CIP (Clean-in-Place) convenience - no disassembly required. They are also suitable for SIP (Steam-in-Place), COP (Clean-out-of-Place) or autoclavable, depending on the hose applications.

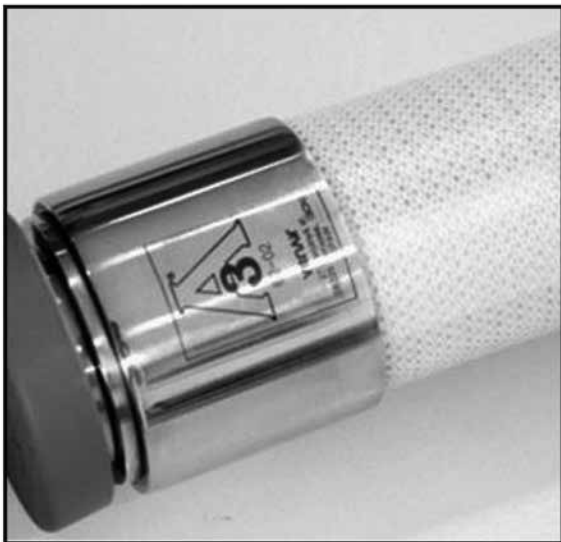


Fittings



A wide variety of fittings available for your application.

Silicone Hoses



Class VI, 3A, FDA Silicone hose and fitting assemblies are available in a wide variety of sizes, lengths, fittings, shapes, supplied to your specifications.

Heated hose assemblies also available.

Ideal for pharmaceutical, medical, food, beverage and industrial applications.
A true problem solver.

Custom shapes available

Hoses



Hoses

A hose for every application



Numerical Index

Part #	Page	Part #	Page	Part #	Page	Part #	Page	Part #	Page
020-CAP-B	18	606213	63	937303	29	73-62946	41	211-691201	16
020M-CAP-B	18	606223	63	937313	29	63-51370	45	213-61261	15
020R10	20	606223	63	941141	30	73-62946	41	214-60111	17
020R10MB	20	606243	63	941191	30	98-626012	51	214-60113	17
020R12	20	607293	63	941331	30	98-626082	51	215-65976	15
020R3MB	20	607313	63	941341	30	98-628802	51	216-60132	16
020R5	20	609633	61,63,65	941365	30	107-68200N	24	217-6951301	15
020R5MB	20	609643	61,63,65	941421	30	107S-643523	24	224-59231	49
020R8	20	609653	61,63,65	941431	30	125-63908	41	224-59241	49
020R8MB	20	609663	61,63,65	941521	30	128-609733	44	224-59251	49
212-3-516	20	609673	61,63,65	941611	30	128-609743	44	224-59261	49
212-5-38	20	609683	61,63,65	941615	30	128-609753	44	224-61422	49
212-5-38M	20	609693	61	942111	30	128-62640	44	224-61432	49
212-5-516	20	609703	61	942121	30	128-62650	44	224-61691	49
212-5-516J	20	609713	63,65	942151	30	128-62660	44	224-63051	49
212-8-516	20	609723	63,65	942221	30	128-62670	44	224-661631	49
212-9-516J	20	630022	51	942231	30	128-62680	44	224-692791	49
212-12-516J	20	630042	52	966226	31	128-62690	44	224-692811	49
624MB8X40	20	630052	53	966263	31	128-62890	44	227-61931	28
10158PL	13	630062	54	966346	31	128-63340	44	241-63641	8
10158PL-IS	13	630082	55	966385	31	128-63350	44	243-63701	8
37001	29	630212	51,53	966476	31	133-627212	53	256-64561	27
37101	29	691002	65	966496	31	133-627232	53	256-64581	27
44091	33	691022	65	966498	31	133-627242	53	260-66546	29
44191	33	691032	65	969854	31	133-633272	53	275-664151	17
44291	33	691052	65	969893	31	133-654421	53	275-AL	17
44491	33	691152	61	969913	31	133-659242	53	275-BP	47
63154	61,63,65	691162	61	969953	31	133-659302	53	280-664781	47
63194	61,63,65	691182	61	969954	31	133-659352	53	302-60852	30
63519	61,63,65	691192	61	969971	31	133-659522	53	303-60922	30
63539	61	691202	61	970013	31	133-659562	53	303-60932	30
64184	27	691422N	63	970014	31	142-65870	28	303-60942	30
64573	65	691432	63	970032	31	153-684231N	41	323-652171	52
64623	65	691442N	63	978521	32	168-664751	47	323-653071	52
65524	27	691452	63	978531	32	171-661242	55	323-658742	52
65624	27	691582	61,63,65	978621	32	171-661392	55	323-658762	52
68399	61	691592	61	978631	32	174-646461	22	337-67023	29
68409	61	691602	65	978721	32	174-646471	22	339-611063	19
68523	61	691622	61,63	978731	32	174-646481	22	339-68363	19
68533	61	693942	65	978821	32	180-59201	50	339-68375	19
69965	61	693952	65	978831	32	180-59221	50	337-67023	29
141141	30	691582	61,63,65	978921	32	182-54911	27	339-611063	19
141191	30	691592	61	978931	32	185-53081	26	339-68363	19
141425	30	691602	65	978961	32	192-608683	26	339-68375	19
141501	30	691622	61,63	978961	32	198-664761	47	340-68373	22
142121	30	693942	65	61-50870	28	199-664771	47		
600882	63,65	693952	65	63-51370	45	210-600372	16		

Numerical Index

Part #	Page	Part #	Page	Part #	Page	Part #	Page
340-68385	22	727-688902	40	BP0824SS-flat	90,92	CVR-12	6
341-611073	19	728-688912	40	C1061M	80	CVR-13S	8
341-68383	19	732-692352	22	CV-101	12	CVR-16	7
341-68395	19	732-692362	22	CV-106	12	CVR-17S	8
341C-67215	19	732-692372	22	CV-226	12	CVR-23	7
362-694331	8	732-MINI	22	CV-242	12	CVR-37S	7
372-61806	19	815-600000	84	CV-299-PL	12	CVR-55S	7
479-653131	54	815-663931	84	CV-300	12	D2077	92
479-653161	54	815-663991	84	CV-364	9	DD51-DD52R	35
479-659692	54	815-665411	84	CV-365	9	LBP821/882	80
537-689231	43	815-665491	84	CV-366	9	N12000HRP	78
567-677322	43	820-LF	84	CV-367	9	N12000K1	78
567-688812	43	820-604386	81	CV-370	9	N12000K2	78
568-601082	43	820-611102	86	CV-371	9	N12000R	78
568-677312	43	820-619132	84	CV-372	9	N12000S	78
569-601092	43	820-619152	86	CV-380	11	N92000R	13,78
569-677332	43	820-619162	86	CV-381	11	N92000S	13,78
580-603302	45	820-619172	86	CV-384	11	P0540PW	92
581-603322	45	820-661761	86	CV-386	11	P1540PW	92
599-613572	25	820-655612	86	CV-387	11	REU154012	92
612-608453	21	820-662741	84	CV-390	9	REU154012B	92
612-608463	21	820-662761	84	CV-391	9	REU154058	92
612-611283	21	820-664391	84	CV-391D	9	SNDR-0750	11
612-655072	21	820-664411	84	CV-392	9	SNDR-1000	11
612-655102	21	820-665611	84	CV-394	9	UC-xxx	66
612-655112	21	820-665631	84	CV-396D	9	UCF-xxx	66
612-655122	21	820-688801	86	CV-410	10	UCFB-xxx	66
612-655132	21	820-697091	84	CV-410T	10	UCFL-xxx	66
612-692942	21	880-Tab	81	CV-411	10	UCP-xxx	66
612-692972	21	880-617553	84	CV-412	10	UC-xxx	66
613-632472	39	880-663201	84	CV-413	10	UCF-xxx	66
613-635142	39	880-663241	84	CV-415	10	UCFB-xxx	66
615-624272	48	882-Tab	81	CV-416	10	UCFL-xxx	66
617-613562	25	882-LFTG	82	CV-417	10	UCP-xxx	66
618-624312	48	882-619072	84	CV-418	10		
619-624402	48	882-619082	84	CV-420	10		
632-647142	25	882-663601	84	CV-420PL	10		
637-648372	25	902-656041	17	CV-420T	10		
648-653112	24	903-652071	16	CV-421	10		
652-653872	24	903-654101	16	CV-423	10		
657-656692	39	903-654111	16	CV-430	11		
657-656982	39	903-654121	16	CV-431	11		
657-657002	39	905-655711	16	CV-508	9		
657-657022	39	BB0540	92	CV-861	10		
672-675582	43	BB1540	92	CV-MTDD-MD	14		
672-675592	43	BB0540	92	CVR-1.7-RIB	8		
725-688762	28	BB1540	92	CVR-10	6		

TERMES ET CONDITIONS DE VENTE

1. LIVRAISON

Le Vendeur livrera la marchandise dans les délais prévus, mais ne sera pas tenu responsable si la marchandise n'est pas livrée dans les délais prévus, pour quelque raison que ce soit. De plus, l'acceptation de la livraison par l'Acheteur de la marchandise vendue, constituera pour celui-ci une renonciation à toutes réclamations pour toutes pertes ou dommages résultant du retard de livraison; Le Vendeur se réserve le droit de livrer la marchandise en un seul ou plusieurs envoi(s).

L'Acheteur devra aviser le Vendeur dans les dix(10) jours de la réception de la marchandise, de toute réclamation, tout dommage affectant la marchandise.

2. RISQUE DE PERTE

Toute marchandise sera vendue *E.X.W. au bureau du Vendeur, et l'Acheteur assume à compter de la disponibilité de la marchandise, la totalité du risque de perte, de vol et/ou de dommage à celle-ci quelle qu'en soit la cause. Aucune perte, vol et/ou dommage à la marchandise ne pourra affecter ou diminuer les obligations de l'Acheteur aux termes des présentes.

*Incoterms 1990

3. DROIT DE PROPRIÉTÉ

Le Vendeur demeure propriétaire absolu de toutes marchandises vendues à l'Acheteur tant et aussi longtemps que lesdites marchandises n'ont pas été payées en entier par l'Acheteur et le titre de propriété desdites marchandises ne pourra être transféré à l'Acheteur que moyennant le paiement complet desdites marchandises.

Toute vente de marchandises à l'Acheteur ne lui confère qu'un titre de possession et ce tant et aussi longtemps que le prix d'achat n'a pas été payé.

4. PAIEMENT

A) Le paiement de la marchandise doit être effectué dans les 30 jours nets de sa livraison.

B) Des frais de 1.5% par mois (taux annuels de 18%) seront facturés sur tous les comptes passés dus.

5. RECOURS DU VENDEUR

Si l'Acheteur fait défaut d'effectuer un paiement quelconque dans les dix (10) jours de la date où celui-ci doit être effectué, est où devient insolvable ou fait cession au profit de ses créanciers au terme de la Loi de la faillite et l'insolvabilité avant le paiement complet des sommes dues, le Vendeur pourra:

a) Sans demande ni avis à l'Acheteur, déclarer l'entier solde impayé immédiatement dû et exigible;

b) Se présenter à la place d'affaires de l'Acheteur ou à tout autre endroit où se trouve la marchandise vendue et la reprendre.

6. RETOUR DE MARCHANDISE

Aucun retour de marchandise n'est permis sans l'autorisation du Vendeur, laquelle doit être obtenue dans les dix (10) jours de la livraison.

7. RESPONSABILITÉ

Le Vendeur ne peut être tenu responsable des pertes de profits, de contrats ou de quelques autres pertes résultant de la marchandise vendue, de son utilisation et/ou de son installation que ces pertes soient dues à la marchandise ou à son impossibilité de l'utiliser ou toute autre cause.

8. GARANTIES

Tout défaut affectant la marchandise est garantie par le manufacturier et la responsabilité du vendeur est limitée à la garantie du manufacturier délivrée à l'égard de ladite marchandise. Toutefois, la garantie deviendra nulle si la marchandise a fait l'objet d'un usage abusif et/ou d'une installation inappropriée.

9. LOI EN VIGUEUR

Ce contrat doit être analysé et les droits respectifs de chacune des parties doivent être précisés conformément aux lois de la Province de Québec.

10. ÉLECTION DE DOMICILE

L'Acheteur convient que tout litige concernant les présentes devra être soumis aux tribunaux du district de Montréal.

TERMS AND CONDITIONS OF SALE

1. DELIVERY

a) Seller shall deliver the goods within the prescribed timeframe, but shall not be liable if, for any reason, the goods are not delivered within the prescribed timeframe. Moreover, acceptance of delivery by Buyer of the goods sold shall create for Buyer a Waiver of any claims for loss or damage resulting from late delivery;

b) Seller reserves the right to deliver the goods in one or more shipments;

c) Buyer shall advise Seller within ten(10) days of receipt of the goods of any claim or damage affecting the goods.

2. RISK OF LOSS

All goods are sold *E.X.W. at the Seller's office and upon availability of the goods, Buyers assumes full risk of loss, theft and/or damage to the goods, Whatever the cause. No loss or theft of and/or damage to the goods shall affect or diminish the obligations of Buyer hereunder.

*Incoterms 1990

3. RIGHT OF OWNERSHIP

Seller shall remain the absolute owner of all goods sold to buyer until payment in full by Buyer and title of ownership of the goods shall only pass to Buyer upon payment in full for said goods.

Any sale of goods to buyer only confers title of possession upon buyer until payment of the purchase price.

4. PAYMENT

a) Payment for the goods shall be made within 30 days net of delivery;

b) Charges of 1.5% per month (annual rate of 18%) shall be billed on all past due accounts.

5. REMEDY OF SELLER

If Buyer fails to make any payment within ten (10) days of the date on which said payment must be made, is or becomes insolvent, or makes an assignment to the benefit of its creditors under the Bankruptcy and Insolvency Act before payment in full of the sums due, Seller may:

a) without request or notice to Buyers, declare the full unpaid balance immediately due and payable;

b) present itself at Buyer's place of business or any other location where the goods sold are located and repossess them.

6. RETURN OF GOODS

No return of goods shall be permitted without Seller's authorisation, which must be obtained within ten (10) days of delivery.

7. LIABILITY

Seller shall not be liable for any loss of profits, contracts or any other loss resulting from the goods sold, their use and/or installations whether said loss is due to the goods proper or the impossibility of using them, or any other cause.

8. WARRANTIES

Any defect affecting the goods is warranted by the manufacturer and Seller's liability is limited to the manufacturer's warranty delivered in respect of said goods. The warranty shall, however, become null and void if the goods are the objects of misuse or faulty installation.

9. GOVERNING LAW

This contract shall be analysed and the respective rights of each of the parties shall be stated in accordance with the laws of the Province of Quebec.

10. ELECTION OF DOMICILE

Buyer agrees that any dispute in respect of this Agreement shall be submitted to the courts of the district of Montreal.

TERMES ET CONDITIONS DE VENTE

1. LIVRAISON

Le Vendeur livrera la marchandise dans les délais prévus, mais ne sera pas tenu responsable si la marchandise n'est pas livrée dans les délais prévus, pour quelque raison que ce soit. De plus, l'acceptation de la livraison par l'Acheteur de la marchandise vendue, constituera pour celui-ci une renonciation à toutes réclamations pour toutes pertes ou dommages résultant du retard de livraison; Le Vendeur se réserve le droit de livrer la marchandise en un seul ou plusieurs envoi(s).

L'Acheteur devra aviser le Vendeur dans les dix(10) jours de la réception de la marchandise, de toute réclamation, tout dommage affectant la marchandise.

2. RISQUE DE PERTE

Toute marchandise sera vendue *E.X.W. au bureau du Vendeur, et l'Acheteur assume à compter de la disponibilité de la marchandise, la totalité du risque de perte, de vol et/ou de dommage à celle-ci quelle qu'en soit la cause. Aucune perte, vol et/ou dommage à la marchandise ne pourra affecter ou diminuer les obligations de l'Acheteur aux termes des présentes.

*incoterms 1990

3. DROIT DE PROPRIÉTÉ

Le Vendeur demeure propriétaire absolu de toutes marchandises vendues à l'Acheteur tant et aussi longtemps que lesdites marchandises n'ont pas été payées en entier par l'Acheteur et le titre de propriété desdites marchandises ne pourra être transféré à l'Acheteur que moyennant le paiement complet desdites marchandises.

Toute vente de marchandises à l'Acheteur ne lui confère qu'un titre de possession et ce tant et aussi longtemps que le prix d'achat n'a pas été payé.

4. PAIEMENT

A) Le paiement de la marchandise doit être effectué dans les 30 jours nets de sa livraison.

B) Des frais de 1.5% par mois (taux annuels de 18%) seront facturés sur tous les comptes passés dus.

5. RECOURS DU VENDEUR

Si l'Acheteur fait défaut d'effectuer un paiement quelconque dans les dix (10) jours de la date où celui-ci doit être effectué, est ou devient insolvable ou fait cession au profit de ses créanciers au terme de la Loi de la faillite et l'insolvabilité avant le paiement complet des sommes dues, le Vendeur pourra:

a) Sans demande ni avis à l'Acheteur, déclarer l'entier solde impayé immédiatement dû et exigible;

b) Se présenter à la place d'affaires de l'Acheteur ou à tout autre endroit où se trouve la marchandise vendue et la reprendre.

6. RETOUR DE MARCHANDISE

Aucun retour de marchandise n'est permis sans l'autorisation du Vendeur, laquelle doit être obtenue dans les dix (10) jours de la livraison.

7. RESPONSABILITÉ

Le Vendeur ne peut être tenu responsable des pertes de profits, de contrats ou de quelques autres pertes résultant de la marchandise vendue, de son utilisation et/ou de son installation que ces pertes soient dues à la marchandise ou à son impossibilité de l'utiliser ou toute autre cause.

8. GARANTIES

Tout défaut affectant la marchandise est garantie par le manufacturier et la responsabilité du vendeur est limitée à la garantie du manufacturier délivrée à l'égard de ladite marchandise. Toutefois, la garantie deviendra nulle si la marchandise a fait l'objet d'un usage abusif et/ou d'une installation inappropriée.

9. LOI EN VIGUEUR

Ce contrat doit être analysé et les droits respectifs de chacune des parties doivent être précisés conformément aux lois de la Province de Québec.

10. ÉLECTION DE DOMICILE

L'Acheteur convient que tout litige concernant les présentes devra être soumis aux tribunaux du district de Montréal.

TERMS AND CONDITIONS OF SALE

1. DELIVERY

a) Seller shall deliver the goods within the prescribed timeframe, but shall not be liable if, for any reason, the goods are not delivered within the prescribed timeframe. Moreover, acceptance of delivery by Buyer of the goods sold shall create for Buyer a Waiver of any claims for loss or damage resulting from late delivery;

b) Seller reserves the right to deliver the goods in one or more shipments;

c) Buyer shall advise Seller within ten(10) days of receipt of the goods of any claim or damage affecting the goods.

2. RISK OF LOSS

All goods are sold *E.X.W. at the Seller's office and upon availability of the goods, Buyers assumes full risk of loss, theft and/or damage to the goods, Whatever the cause. No loss or theft of and/or damage to the goods shall affect or diminish the obligations of Buyer hereunder.

*Incoterms 1990

3. RIGHT OF OWNERSHIP

Seller shall remain the absolute owner of all goods sold to buyer until payment in full by Buyer and title of ownership of the goods shall only pass to Buyer upon payment in full for said goods.

Any sale of goods to buyer only confers title of possession upon buyer until payment of the purchase price.

4. PAYMENT

a) Payment for the goods shall be made within 30 days net of delivery;

b) Charges of 1.5% per month (annual rate of 18%) shall be billed on all past due accounts.

5. REMEDY OF SELLER

If Buyer fails to make any payment within ten (10) days of the date on which said payment must be made, is or becomes insolvent, or makes an assignment to the benefit of its creditors under the Bankruptcy and Insolvency Act before payment in full of the sums due, Seller may:

a) without request or notice to Buyers, declare the full unpaid balance immediately due and payable;

b) present itself at Buyer's place of business or any other location where the goods sold are located and repossess them.

6. RETURN OF GOODS

No return of goods shall be permitted without Seller's authorisation, which must be obtained within ten (10) days of delivery.

7. LIABILITY

Seller shall not be liable for any loss of profits, contracts or any other loss resulting from the goods sold, their use and/or installations whether said loss is due to the goods proper or the impossibility of using them, or any other cause.

8. WARRANTIES

Any defect affecting the goods is warranted by the manufacturer and Seller's liability is limited to the manufacturer's warranty delivered in respect of said goods. The warranty shall, however, become null and void if the goods are the objects of misuse or faulty installation.

9. GOVERNING LAW

This contract shall be analysed and the respective rights of each of the parties shall be stated in accordance with the laws of the Province of Quebec.

10. ELECTION OF DOMICILE

Buyer agrees that any dispute in respect of this Agreement shall be submitted to the courts of the district of Montreal.